

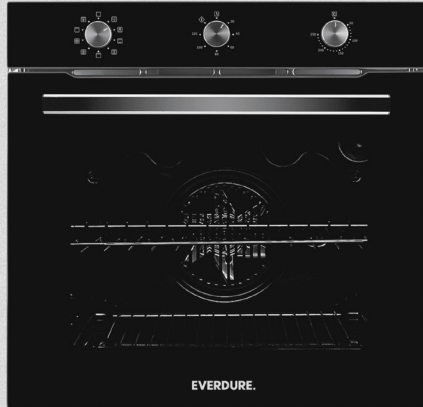
EVERDURE.

OECG69P

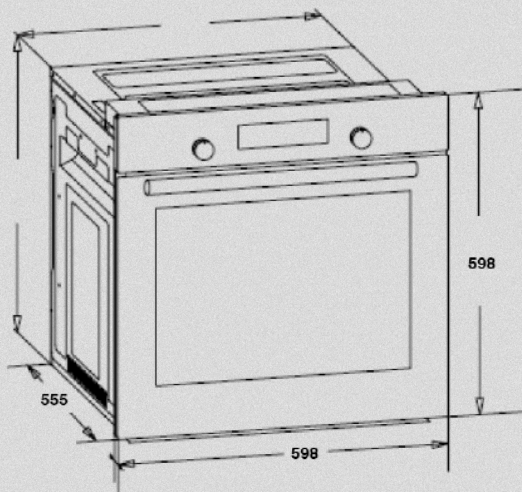
OBEGS690 Oven Specifications

60cm 9 Function Built In Oven

a.



b.



OBGGS690 OVEN FEATURES

60cm, 77 Litre Oven Cavity

At 77 litres, this large capacity oven will accommodate even the biggest of meals.

9 function built in electric oven

Select from a range of cooking functions to suit your needs: Fan Force, Fan Force with Bottom Element, Grill, Grill with Fan, Upper Element, Fan Assist, Conventional Bake, Defrost, Light only. This oven also contains an internal oven light.

Triple Glazed Door

The triple layered door with thermo-reflective glass offers not only a cooler to touch surface but also increases the energy efficiency as the heat is retained within the oven.

120 minute mechanical timer

The fully programmable touch control operation enables you to set the start and finish time of your cooking where the oven will automatically switch off when finished.

Accessories:

1 x Chrome wire shelf, 1 x Deep baking tray with grill insert

Large viewing window into the oven

OBGGS690 OVEN SPECIFICATIONS

Gross Capacity	77L
Timer	120 mins Mechanical Timer
Control	Knob Control
Door	Triple-glazed, pure black glass
Cooling fan	Yes
Thermostat	50-250°C
Light	1*25W E14 lamp
Voltage/frequency	220-240V/50HZ
Power cord	Without power cord - must be hard wired
Functions	9: Lamp only, Defrost, Conventional Bake, Fan Assist, Upper Element, Grill, Grill with Fan, Fan Forced, Fan Forced with bottom element
Accessories	1 Baking tray, 1 oven rack, 1 set of side rack (5 level)
Product Dimensions	598W*575D*598H
Gross weight/Net weight	33KG/ 30KG
Cut out Dimensions	See image b.

EVERDURE.

OECG69P

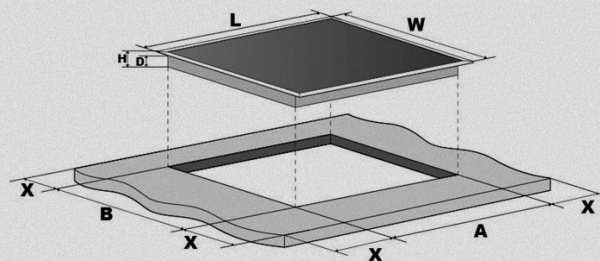
CBGG631 Cooktop Specifications

60cm Gas Cooktop

a.



b.



L (mm)	520	A (mm)	473
W (mm)	600	B (mm)	553
H (mm)	105	X (mm)	50 min
D (mm)	20		

CBGG631 COOKTOP FEATURES

4 burners including triple-ring wok burner

With 2 semi-rapid burners, an auxiliary burner and a powerful triple ring wok burner, this cooktop will handle all types of cooking requirements.

Black Glass finish

The beautiful finish will contemporary stainless steel finish will match any kitchen style.

Cast Iron pan supports including wok trivet

To cater for heavy duty pots and pans, the cast iron supports will be able to hold the heaviest load. An additional trivet to hold a wok is included in the box.

Natural Gas or ULPG

This unit comes fitted with Natural Gas gas jets as standard. ULPG gas jets are included in the box - note, the jets must only be changed by a registered gas fitter.

Flame Failure Safety

If the flame is blown out for any reason, the gas will shut off automatically to ensure gas does not keep flowing into the kitchen.

Electronic Ignition

To ignite the burners, simply twist the knob until the audible click

CBGG631 COOKTOP SPECIFICATIONS

Finish	Black Glass
Control	Knob Control - Right hand side position
Ignition	Electronic
Voltage/frequency	220-240V/50-60HZ
Power cord	With plug
Burner Ratings (ULPG)	
Semi-Rapid (*2)	6.3MJ/hr
Auxiliary	3.2MJ/hr
Wok	10.3MJ/hr
Burner diameters (for pots)	
Semi-Rapid (*2)	160-180mm
Auxiliary	100-140mm
Wok	220-240mm
Product Dimensions	600W*510D*110H
Gross weight/Net weight	14.5KG/ 13.0KG
Cut out Dimensions	See image b.
Warranty	3 Year Domestic Warranty Not for commercial use