

EVERDURE.

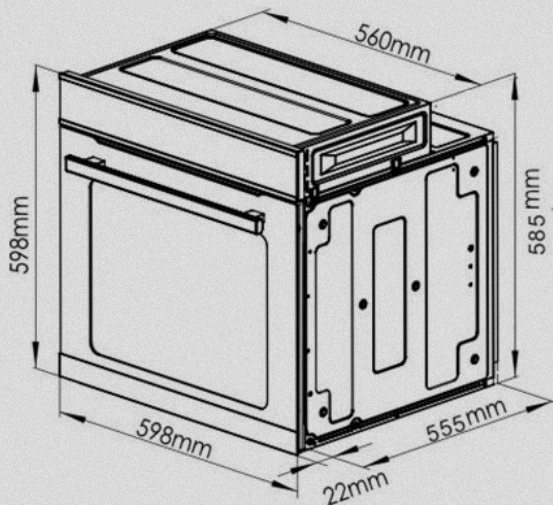
OBEGS615P

14 function 60cm built in electric oven (77L)
PYROLYTIC CLEANING FUNCTION

a.



b.



FEATURES

77 Litre Oven Cavity

At 77 litres, this large capacity oven will accommodate even the biggest of meals.

Pyrolytic Cleaning Function

No more cleaning chemicals and hours of scrubbing. To clean this oven simply remove the internal accessories (racking, trays etc), select PYRO mode and walk away.

14 function built in electric oven

Select from a wide range of cooking functions to suit your needs: Conventional Bake, Defrost, Fan Assist, Upper element, Pizza, Grill, Half Grill, Fan Forced, Fan Assist Grill, Fan Assist Half Grill. Lower element, ECO, Rapid Heat, PYROLYTIC CLEAN.

Quadruple Glazed Door

The four-layered door with thermo-reflective glass offers not only a cooler to touch surface but also increases the energy efficiency as the heat is retained within the oven, even on high temperature Pyro mode.

Digital Touch timer / Clock

This touch timer timer enables you to set the oven to cook for a certain period of time. It also lets you delay the start of the cooking period. Once the end of the cooking time is reached, the oven will turn off and an alert will sound to notify you.

Large viewing window into the oven

It's easy to view your meals during the cooking period through the large window, without having to open the oven door and let the heat escape.

SPECIFICATIONS

Gross Capacity	77L
Timer	Digital Touch Timer
Control	Touch Control
Door	Quadruple-glazed, pure black glass
Cooling fan	Yes
Thermostat	50-400°C
Light	1*25W halogen light
Voltage/frequency	220-240V/50HZ
Power cord	Without power cord - must be hard wired
Functions	14: LConventional Bake, Defrost, Fan Assist, Upper element, Pizza, Grill, Half Grill, Fan Forced, Fan Assist Grill, Fan Assist Half Grill. Lower element, ECO, Rapid Heat, PYROLYTIC CLEAN.
Accessories	1 Baking tray, 1 chrome wire shelf, 1 set of side racks (5 level)
Product Dimensions	598W*575D*598H
Gross weight/Net weight	43KG / 41KG
Cut out Dimensions	See image b.