

EVERDURE.

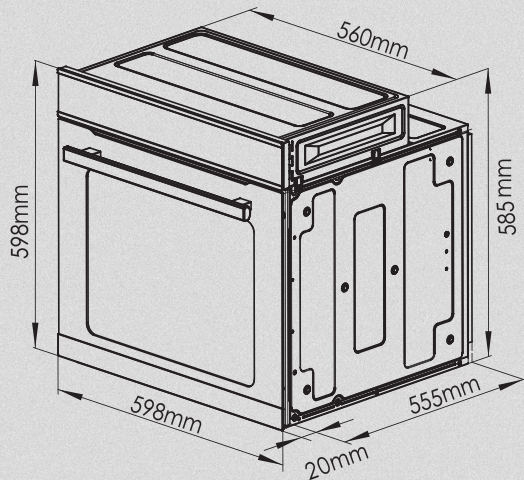
OBEGS601

5 function 60cm built in electric oven
77L capacity

a.



b.



FEATURES

77 Litre Oven Cavity

At 77 litres, this large capacity oven will accommodate even the biggest of meals.

5 function built in electric oven

Select from a range of cooking functions to suit your needs: Fan Force, Grill, Grill with Fan, Defrost. This oven also contains an internal oven light.

Triple Glazed Door

The triple layered door with thermo-reflective glass offers not only a cooler to touch surface but also increases the energy efficiency as the heat is retained within the oven.

Plug and Play

10amp plug fitted, no electrician required

120 minute mechanical timer

The easy to use mechanical timer enables you to time the cooking duration. An alarm will sound to notify you that the set time has elapsed.

Large viewing window into the oven

It's easy to view your meals during the cooking period through the large window, without having to open the oven door and let the heat escape.

SPECIFICATIONS

Gross Capacity	77L
Timer	120 mins Mechanical Timer
Control	Knob Control
Door	Triple-glazed, pure black glass
Cooling fan	Yes
Thermostat	50-250°C
Light	1*25W halogen light
Voltage/frequency	220-240V/50HZ
Power cord	With 10A plug
Functions	5: Lamp only, Defrost, Fan grill, Fan-forced & Grill
Accessories	1 Baking tray, 2 chrome wire shelf, 1 set of side racks (5 level)
Product Dimensions	598W*575D*598H
Gross weight/Net weight	33KG / 31KG
Cut out Dimensions	See image b.