

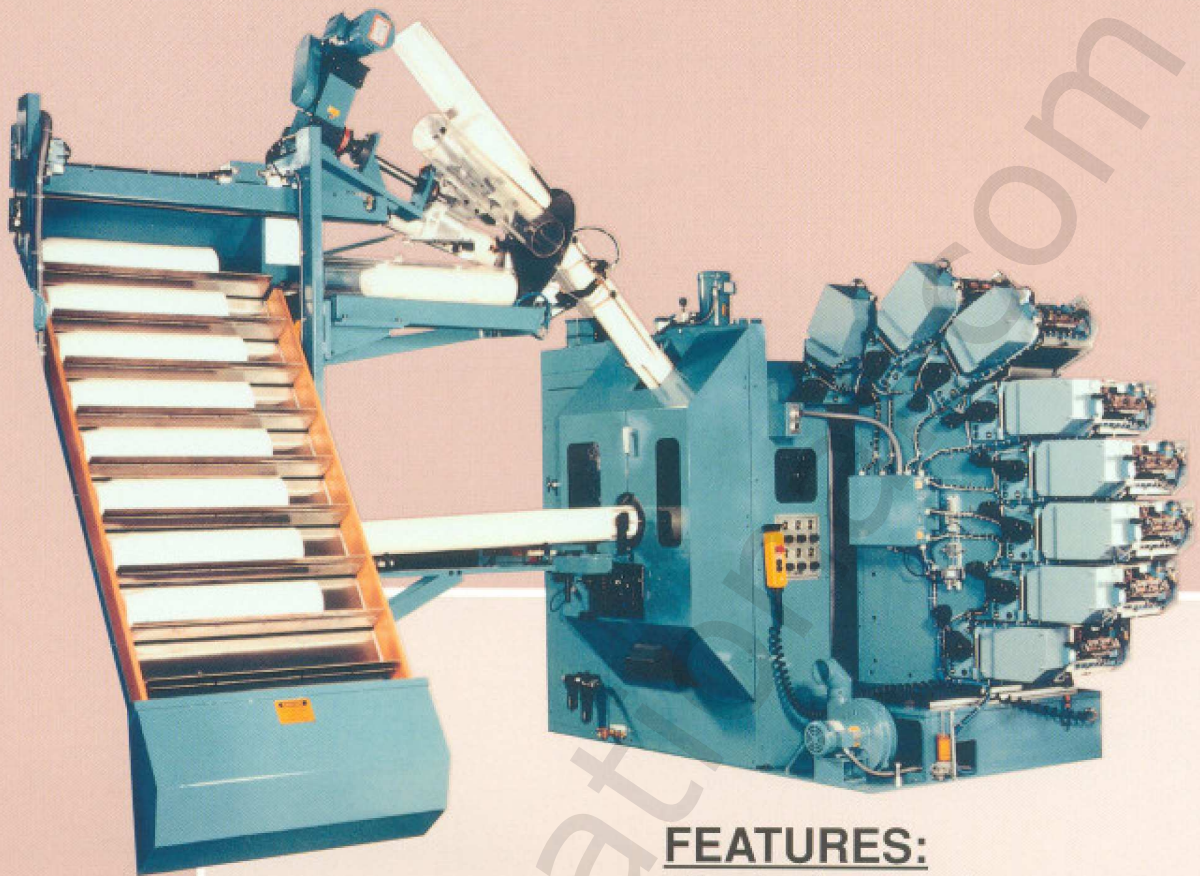


# EIGHT COLOR CUP PRINTER MODEL 568 COM-III



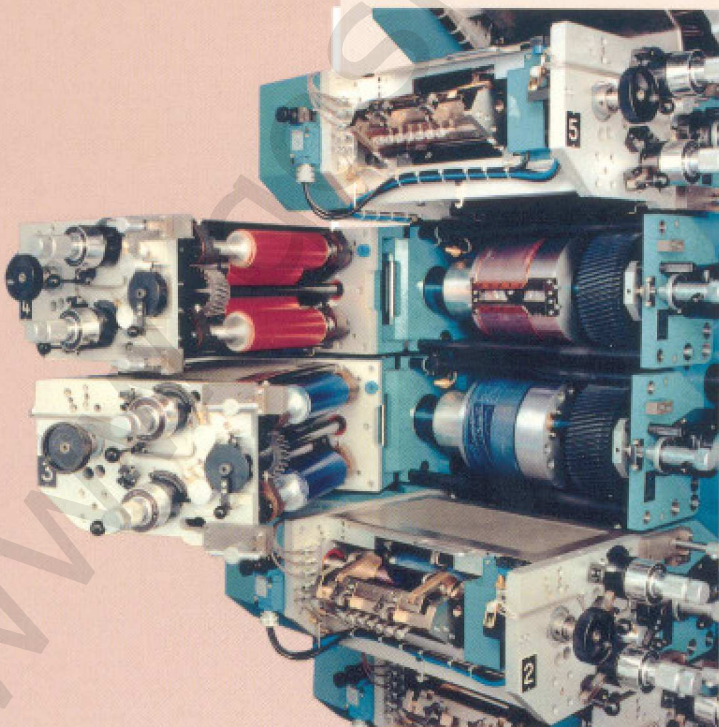
- High quality print
- High production efficiency
- Quick changeover
- Operator friendly
- Versatile

**VAN DAM**™



## HIGH QUALITY

The Van Dam 568 COM-III design features heavy duty construction, rugged color heads and high precision manufacturing of all components. This focus on quality guarantees durability of the machine and high printing quality without deterioration, even after years of use.

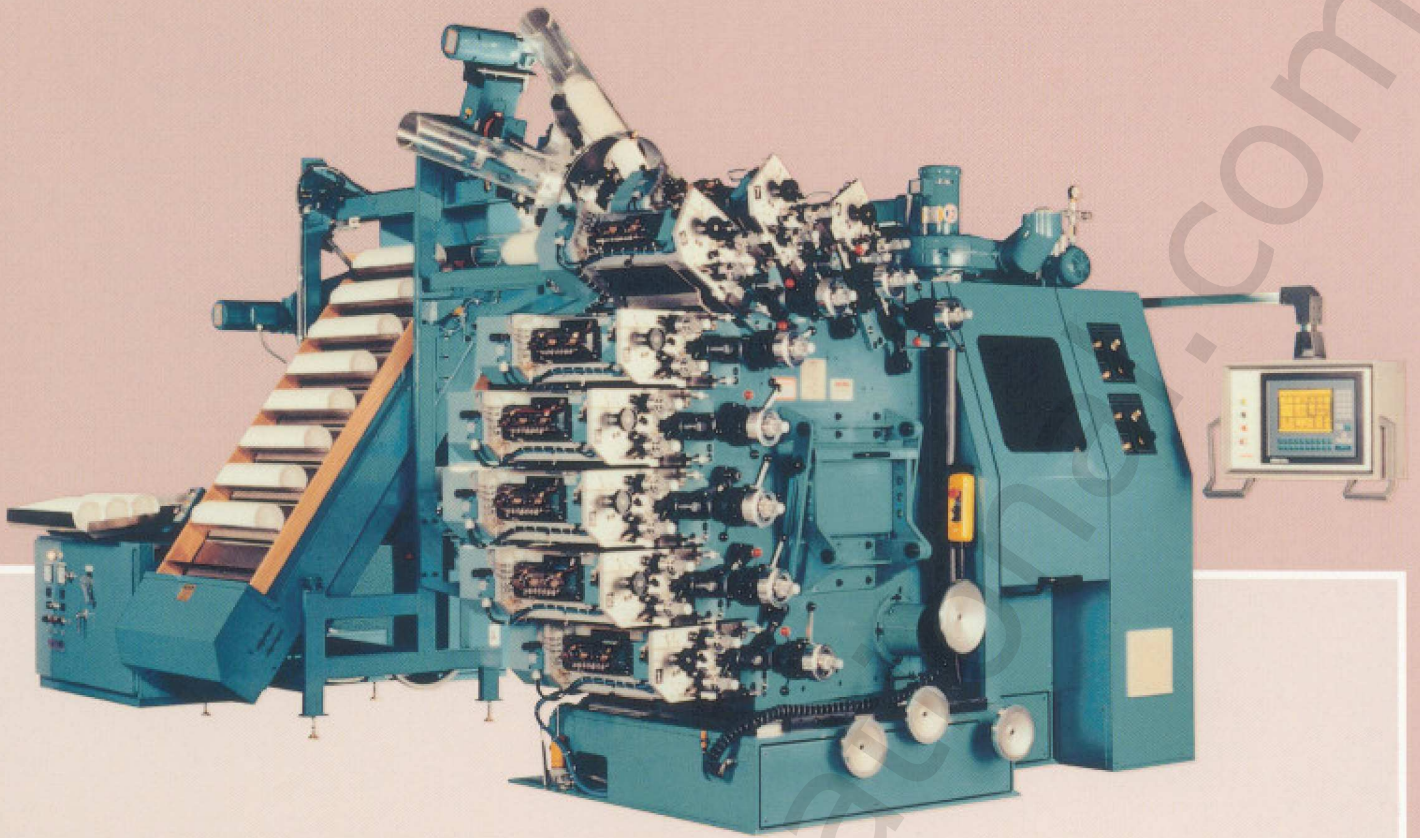


### **FEATURES:**

- Production speeds up to 550 PPM
- Heavy duty index cam for high speeds with large containers
- Quick change features, such as recipe module in control system and digital readouts on product handling and printing adjustments
- Highly accurate color heads with 8 roller ink transfer, micro-adjustments and anti-backlash gears
- No-cup/No-print feature
- High energy UV curing on mandrel system

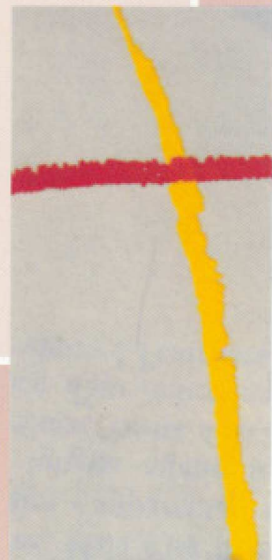
### **AVAILABLE OPTIONS:**

- High energy corona pretreatment
- Automatic programmable ink stirring
- Temperature controlled color heads
- High accuracy plate punch, eliminating on-press registration
- Electronic ink flow control with job data memory storage
- Automated buffer infeed system
- In-line automated box loading



## EIGHT COLOR

The Van Dam Model 568 COM-III with eight color heads makes high quality process printing a more easily obtained goal. Color separations can finally be prepared without sacrificing "logo colors" for process areas. Split plate techniques (the use of two plates for a single color) can be used - allowing for one plate to print solid line areas and another for light tone areas. This enables selective control of ink flow, reducing contamination, resulting in cleaner print quality and less downtime due to wash ups.

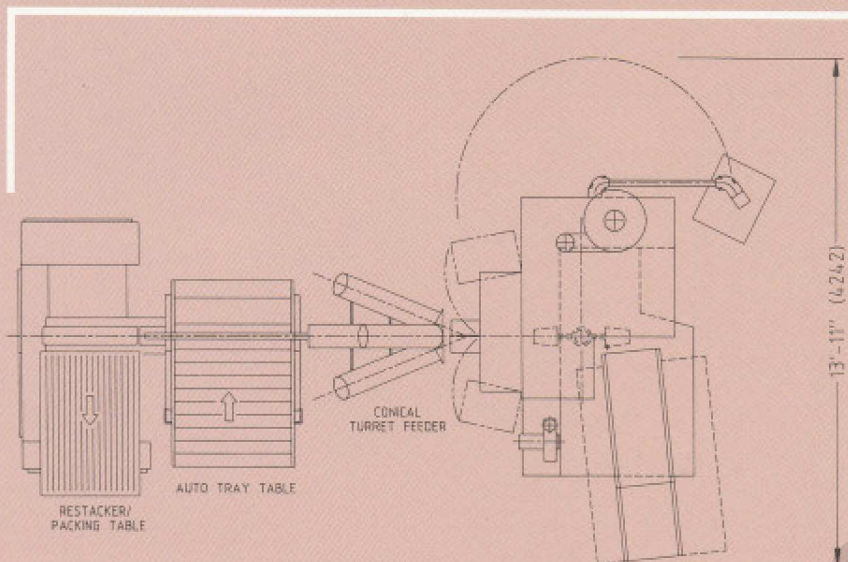


CYMK

CYMK

CYMK





Standard Specifications:

Cup Diameter:  
2 1/2" To 8" (63 to 203 mm)

Cup Height:  
Up To 8" (203 mm)

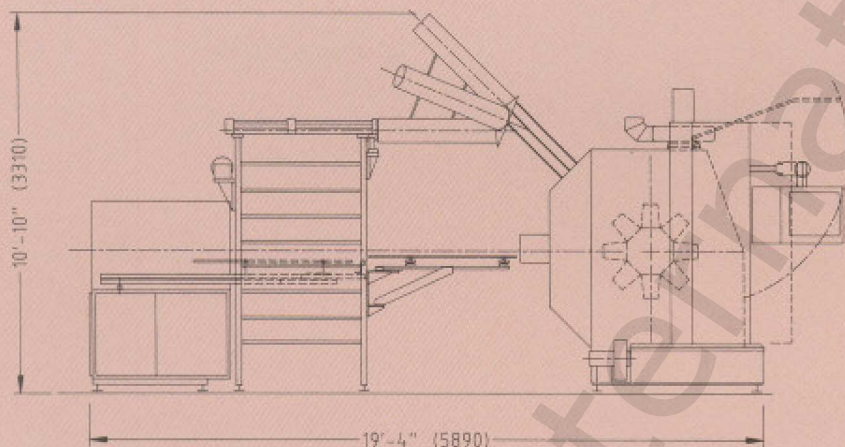
Maximum Printing Speed:  
Up to 550 PPM

Maximum Print Height  
6" (150 mm)

Maximum Print Length:  
Up to 21 1/2" Circumference (543 mm)

Maximum Taper:  
Up To 12°

Standard Product  
Specifications Can Be  
Modified On Special Request



All data are subject to change without prior notice.

**VAN DAM™**

Van Dam Machine B.V.  
Lemelerbergweg 28a, P.O. Box 12612  
1100 AP Amsterdam Z.O/Holland  
Tel. 31(20) 697 24 11  
Fax 31(20) 697 95 26

Van Dam Machine GmbH Vertrieb Deutschland  
Steigstrasse 6, D-76327 Pfinztal / Deutschland  
Tel. 49(721) 46 09 36  
Fax 49(721) 46 27 51

Van Dam Machine Corporation  
20 Andrews Drive, West Paterson  
N.J. 07424-2640/USA  
Tel: (201)785-4444  
Fax. (201)785-1167

Van Dam France  
9, avenue, Audran, 78 360 Montesson/France  
Tel. 33(01) 39 13 66 42  
Fax 33(01) 39 68 04 48