

WARRE HIVE



CONGRATULATIONS ON YOUR BEAUTIFUL WARRE HIVE! NOW, LET'S BEE-GIN.

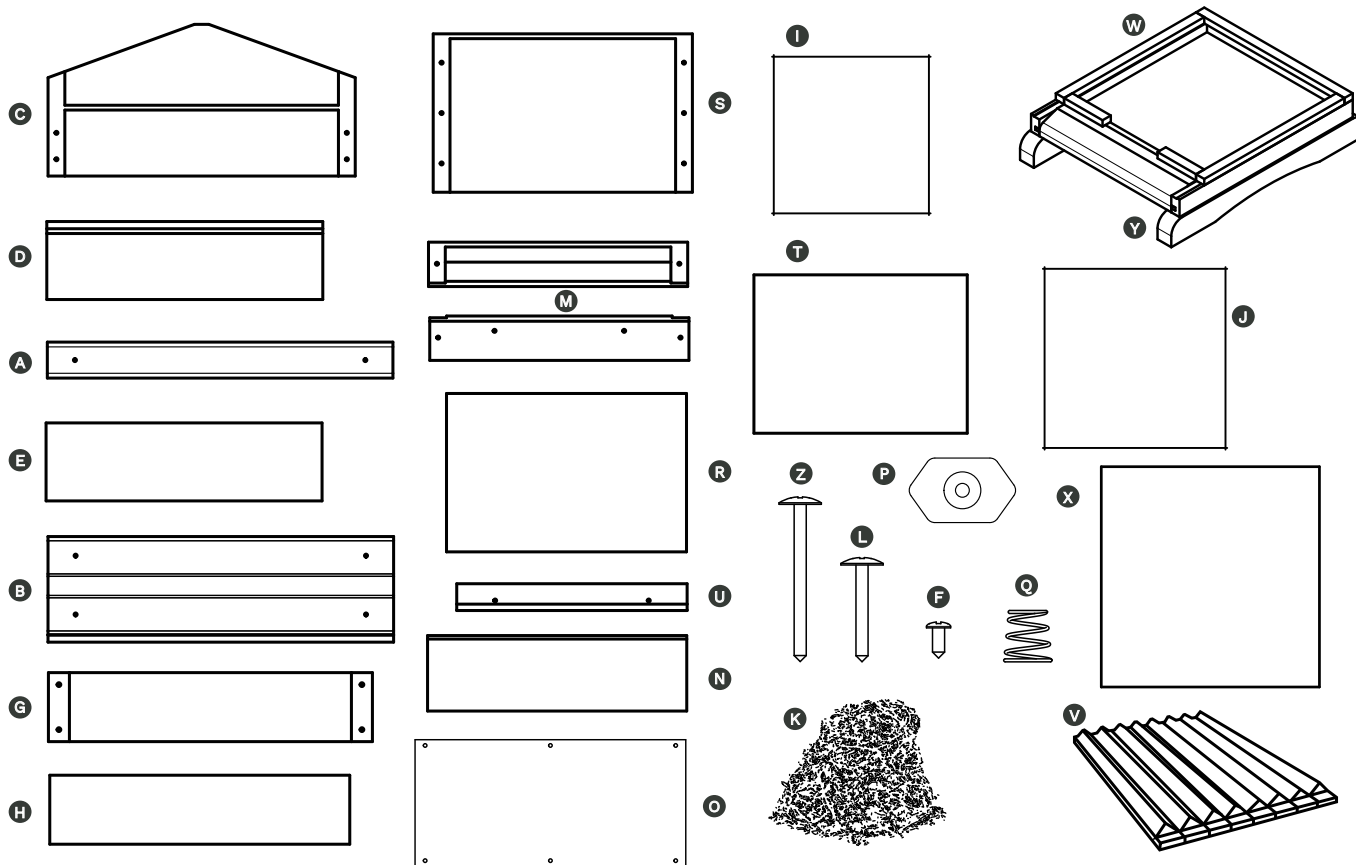
Grab a favorite beverage, put on some music, and let's build this!
First, organize all parts and spread out in an easy to work area.

**A NOTE ON
TUNG OIL:**

Do not apply until you are finished assembling your hive! Tung oil can only be applied to the outside of your hive, never ever the inside or inside joints—the smell could make your bees flee!

PREPARATION

<p>ASSEMBLY QUESTIONS? CUSTOMER SERVICE IS AVAILABLE DAILY! HELLO@BEEBUILT.COM</p>	<p>ESTIMATED HIVE ASSEMBLE TIME: 1-2 HRS</p>	<p>TOOLS NEEDED:</p> <ul style="list-style-type: none"> • DRILL WITH PHILLIPS BIT • HAMMER • WOOD GLUE • SILICONE OR CAULK 	<p>OPTIONAL TOOLS:</p> <ul style="list-style-type: none"> • TACKS • STAPLES • SMALL NAILS • CORNER METAL BRACKETS • CLAMP
---	--	---	---



PARTS INCLUDED:

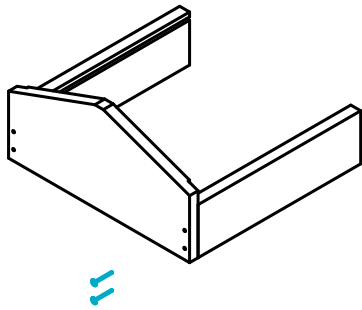
- | | | | |
|-------------------------------|----------------------------------|----------------------------|-------------------------------------|
| A 1 RIDGE CAP | H 2 SHORT QUILT SIDES | O 1 PLEXI GLASS | V 16 TOP BARS |
| B 4 ROOF SHINGLES | I 1 SMALL CANVAS | P 2 WALNUT LATCHES | W 1 FLOOR W/ SCREENED BOTTOM |
| C 2 PEAKED ROOF ENDS | J 1 LARGE CANVAS | Q 2 SPRINGS | X FLOOR INSERT |
| D 2 ROOF SIDE RAILS | K 1 BAG OF SHREDDED CEDAR | R 1 LONG BOX END | Y 2 FEET |
| E 3 ROOF INSERT PANELS | L 8 MEDIUM SCREWS | S 2 WINDOW SIDES | Z 4 LONG SCREWS |
| F 30 SMALL SCREWS | M 2 WINDOW RAILS | T 4 SHORT BOX SIDES | |
| G 2 LONG QUILT SIDES | N 1 WINDOW COVER | U 4 HANDLES | |

WATCH OUT FOR KEY POINTS. YOU WILL HAVE MORE SCREWS THAN NEEDED TO ASSEMBLE YOUR HIVE.

PEAKED ROOF

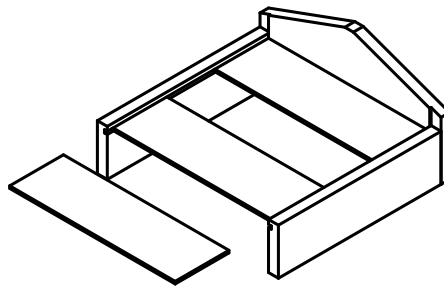
You'll need to gather the following parts and hardware:

- 1 RIDGE CAP
- 4 SHINGLES
- 2 PEAKED ROOF ENDS
- 2 ROOF SIDE RAILS
- 3 ROOF PANEL INSERTS
- 18 1 5/8" SCREWS



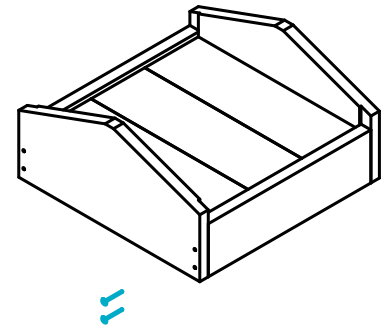
1

Attach the two roof side rails to one peaked roof end. If you have a clamp, use it to attach these pieces together. Make sure the grooves on all three pieces are aligned. Use a screwdriver or a hand drill to screw the pieces into place.



2

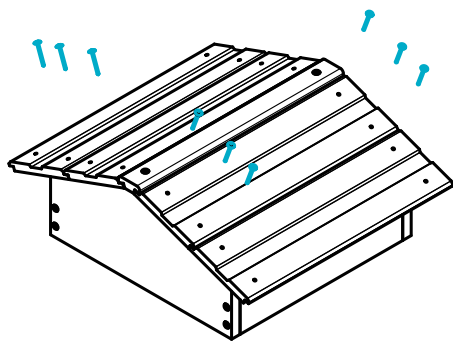
Slide the roof insert panels into the groove. Turn the pieces vertically to slide the insert down into grooves if having difficulty.



3

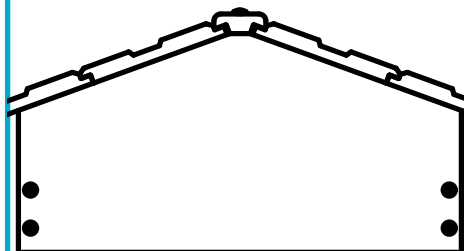
Attach the second peaked roof end to the other ends of the roof side rails. The roof insert should fit neatly into the peaked roof end's groove as well. Use your screwdriver to screw pieces into place. Use clamps on either peaked end to hold the pieces together easily.

PEAKED ROOF



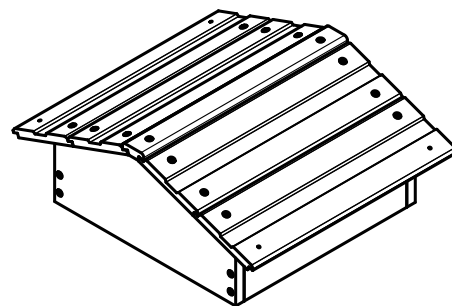
4

To ensure that all pieces fit together, attach the ridge cap after shingles are attached to the roof. After attaching the top shingles first, you will have a peak and rest under the ridge cap. Line up one shingle with the flat edge on top with the peaked roof end.



5

Once this is lined up, attach one shingle at a time with the pre-drilled holes. Fit the ridge cap on the flat surfaces of the peaked roof ends. The ridge cap fits neatly in between the top shingles. If there are gaps, realign the shingles to minimize.



6

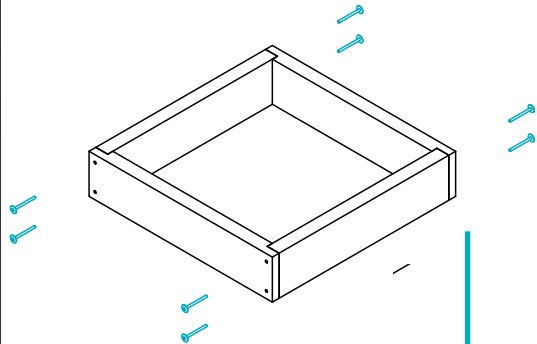
To attach the bottom lower shingles, slide the foot edge under the roof side of the attached shingles. Use the pre-drilled holes to attach the last two shingles.

The bottom shingles will have two extra holes, therefore, only two screws are needed.

QUILT BOX

You'll need to gather the following parts and hardware:

- 2 LONG QUILT SIDES
- 2 SHORT QUILT SIDES
- 1 SMALL CANVAS
- 1 LARGE CANVAS
- 1 BAG OF SHREDDED CEDAR
- 8 2" SCREWS
- NOT INCLUDED -
- TACKS
- STAPLES
- SMALL NAILS
- CORNER METAL BRACKETS

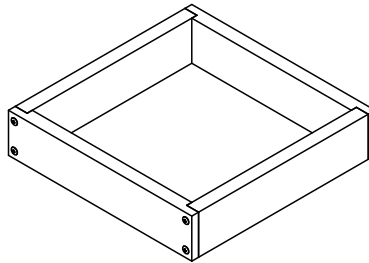


7

Screw together 2 long quilt sides to the 2 short quilt sides using 8 screws (2 per corner).

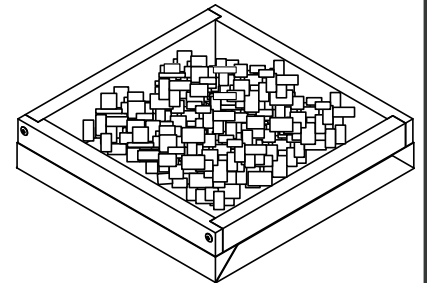
Matching panels should be across from one another.

Lay large canvas piece on flat surface. Center quilt box on top of the canvas. Fold the canvas over the side as if you were wrapping a present.



8

Pull canvas up the outside of the quilt box and attach with at least 3 staples on each side (or whatever additional equipment you have decided to use). For these instructions, we will be using a staple gun which is fast and easy to use!



9

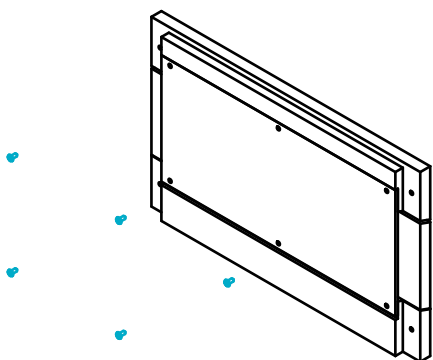
Once completed, fill with wood shavings or some other absorbent, organic material. Hold on to the small canvas. After you assemble the boxes it will lay freely between the quilt box and the top bars of the top box.

DIFFERENT MATERIALS CAN BE USED TO INSULATE YOUR QUILT BOX I.E. BURLAPS, CRUMPLED PAPER, OR DRIED LEAVES. IT IS IMPORTANT TO REPLACE YOUR INSULATION YEARLY OR AS NEEDED.

HIVE WINDOW

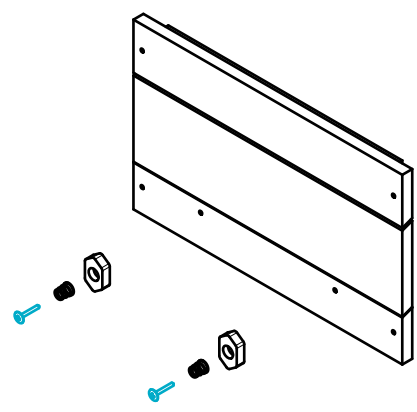
You'll need to gather the following parts and hardware:

- 1 WINDOW TOP RAIL
- 1 WINDOW BOTTOM RAIL
- 1 WINDOW COVER
- 1 PLEXI GLASS
- 6 SELF-TAPPING SCREWS
- 2 WALNUT LATCHES
- 2 SPRING INSERT SCREWS
- 2 SPRINGS



10

Lay the window rails face down, grooved side up. Lay the plexi glass down into the window rails, lining up the edges so there is a 1/16" gap between them (this allows for wood expansion). Place all 6 self-tapping screws in each pre-drilled hole and screw the them in.



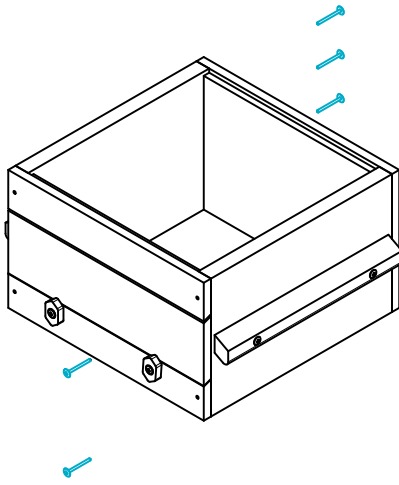
11

Locate the pre-drilled holes for the walnut latches on the bottom window rail. Insert the springs into the hole on the latches, then insert the spring insert screws into the springs. Screw them into place. If these latches are difficult to place, loosen the screws gently by a couple of turns.

HIVE BOXES

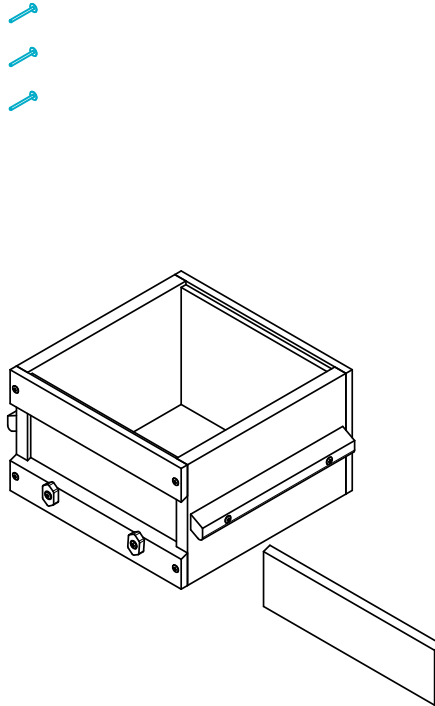
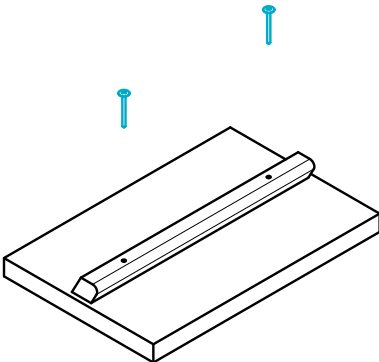
You'll need to gather the following parts and hardware:

- 2 LONG BOX ENDS
- 2 WINDOW SIDES
- 4 SHORT BOX SIDES
- 4 HANDLES
- 12 1 5/8" SCREWS
- 16 TOP BARS
- 1 FLOOR W/ SCREENED BOTTOM
- 1 FLOOR INSERT
- 2 FEET
- 4 3" SCREWS



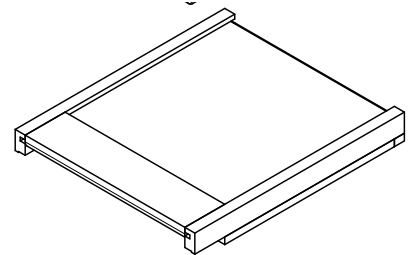
12

Screw together 1 window side and 1 long box end to 2 short box sides using 12 screws (6 screws per long box end, 4 screws per window side). The box sides need to be flush with the bottom and top rail and should be secured on before the plexi window. Do this for both boxes. Attach 1 handle centered to the outside of each short box side using 2 screws each. Make sure they slope downward away from the top of the box.



13

Once these pieces are assembled, flip the window over and slide the window cover in place. There should be no gaps between any of these pieces to ensure privacy for the bees.



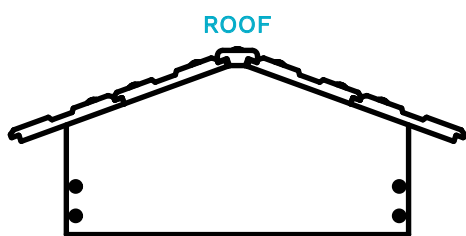
14

Evenly space 8 top bars into each box. Place screened floor on top of feet and then attach feet using 2 3" long screws on each side through the pre-drilled holes in the floor.

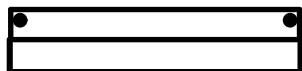
COMBINE

WE RECOMMEND FACING YOUR WINDOW SIDES OPPOSITE OF THE ENTRANCE TO NOT INTERFERE WITH THE BEES' FLIGHT PATH!

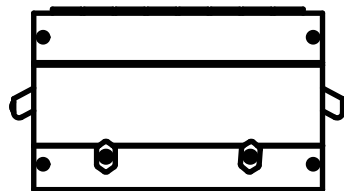
Stack in this order: FLOOR BOARD, BOXES WITH THE TOP BARS INSIDE, SMALL CANVAS, QUILT BOX, AND ROOF



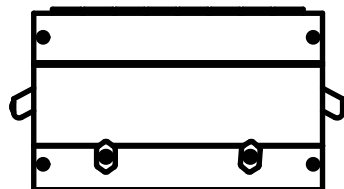
QUILT BOX



SMALL CANVAS



BOXES WITH TOP BARS INSIDE



FLOOR BOARD & FEET



Tung oil is a natural sealant, allowing the wood to retain its natural beauty and providing an extra barrier against the elements. We encourage a chemical-free tung oil treatment to the entirety of the outside of your assembled hive. Applying the oil after assembly ensures you won't accidentally apply any to the inside of the hive (Never do that!!). Tung oil takes time to dry and can be messy so consider application once the hive has been placed in its final location.

For best results we recommend sealing your hive prior to any extended outside exposure.