

Warre Hive

Estimated Hive
Assembly Time:
1 Hour

Tools Needed:
Drill w/ Phillips Bit
Optional:
Warre Hive Spacing Tool
Tung Oil

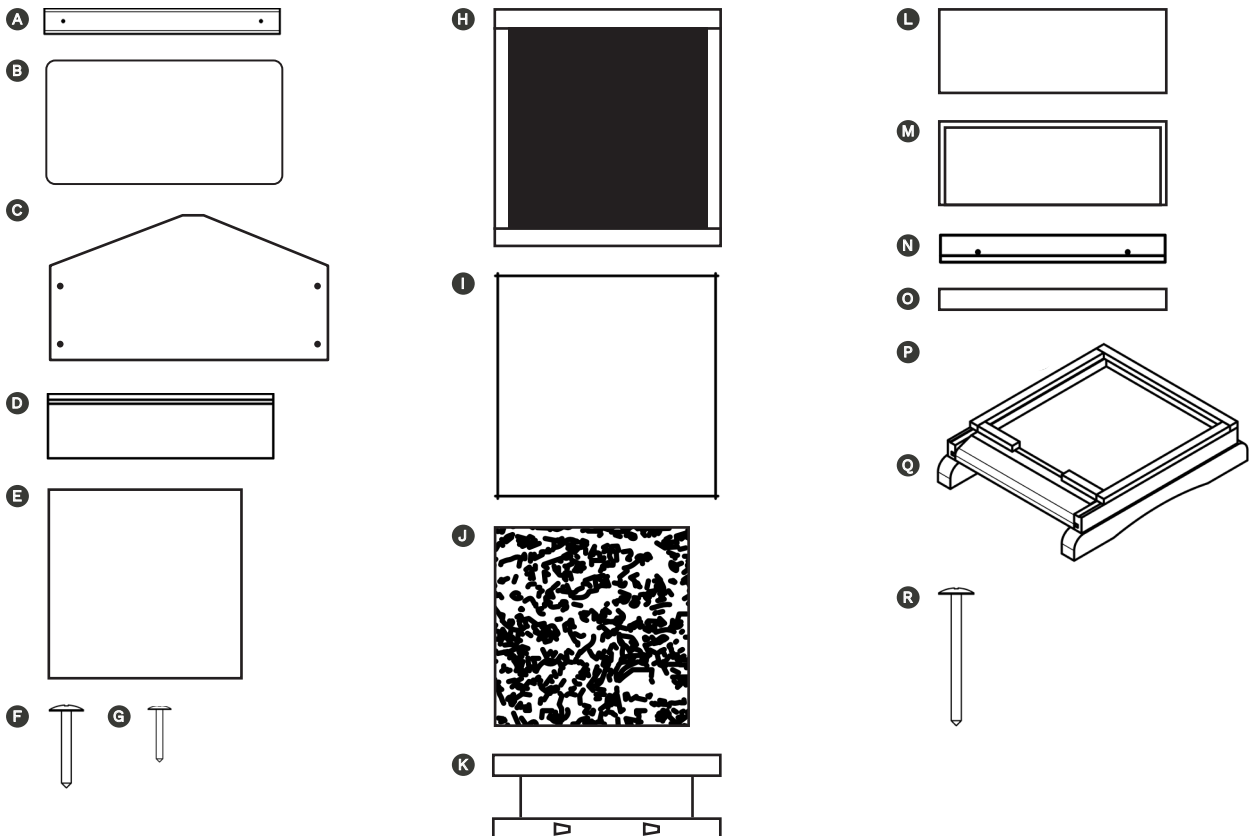
Assembly Questions?
Customer Service
available at
hello@beebuilt.com

Parts Included:

- A** (1) Ridge Cap
- B** (2) Aluminum Panels
- C** (2) Peaked Roof Ends
- D** (2) Roof Sides
- E** (1) Plywood Roof Floor Insert
- F** (30) 1 1/2" Screws

- G** (12) 1" Screws
- H** (1) Assembled Quilt Box w/ Canvas
- I** (1) Small Canvas
- J** (1) Pad of Natural Hemp Insulation
- K** (2) Window Assemblies
- L** (4) Box Sides

- M** (2) Box Backs
- N** (4) Handles
- O** (16) Top Bars
- P** (1) Assembled Screened Base
- Q** (2) Feet
- R** (12) 2 1/2" Screws

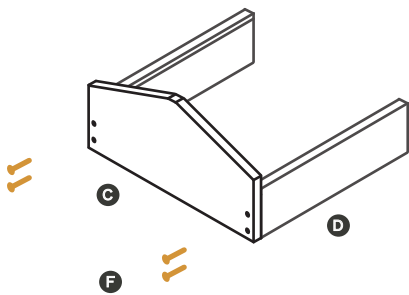


Grab a favorite beverage, put on some music,
and let's build this!

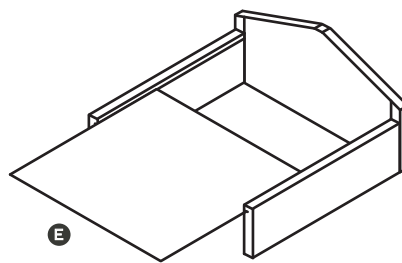
Our hives are handmade in Oregon from sustainably
sourced Western Red Cedar.

BeeBuilt Composite Aluminum Roof

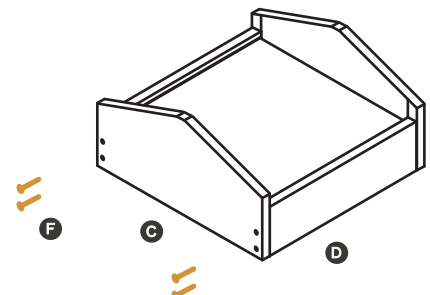
- A** (1) Ridge Cap
- B** (2) Aluminum Panels
- C** (2) Peaked Roof Ends
- D** (2) Roof Sides
- E** (1) Plywood Roof Floor Insert
- F** (10) 1 1/2" Screws
- G** (12) 1" Screws



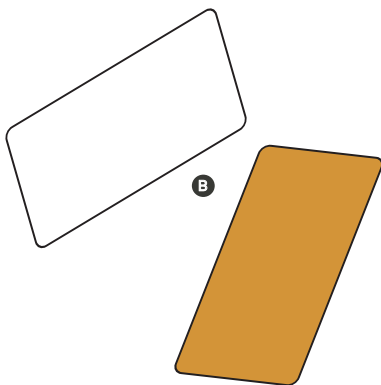
Attach the two Roof Sides (D) to one Peaked Roof End (C) with four 1 1/2" screws. Make sure the grooves on the inside of all three pieces are aligned.



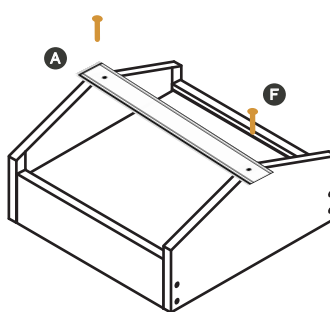
Slide the Plywood Roof Floor Insert (E) into the grooves. If you are having trouble, set the assembly up on its end so you can slide the insert down vertically into the grooves.



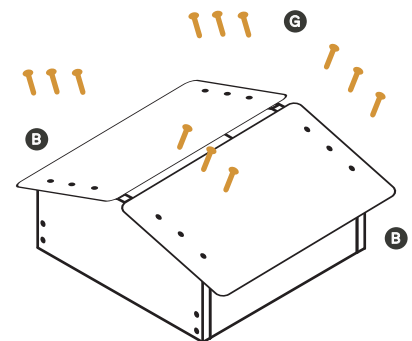
Attach the second Peaked Roof End (C) to the other end of the Roof Sides (D) with four 1 1/2" screws. The insert should still fit neatly in the grooves all the way around.



Decide which side of the reversible Aluminum Panels (B) you want to face up. The dark colored side attracts heat (Winter) and the light colored side reflects heat (Summer). You can reverse the panels and use opposite sides at any time.



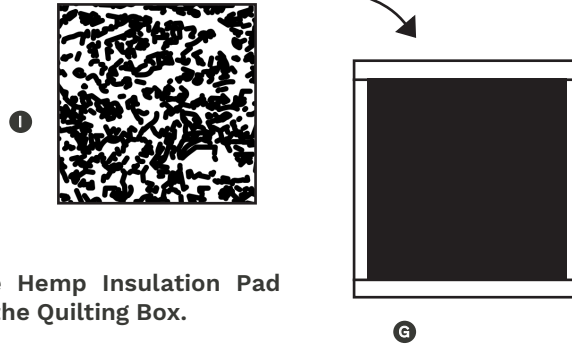
Place the assembly on a flat surface with the peaks up and place the Ridge Cap (A) on the top of the two Peaked Roof Ends (C) and center the Ridge Cap. Attach the Ridge Cap with two 1 1/2" screws to the two Peaked Roof Ends, but don't tighten the screws all the way down (leave about 1/8").



Slide one of the Aluminum Panels (B) up under the Ridge Cap (A) and attach with six 1" screws through the holes pre-drilled in the panels. Slide the other Aluminum Panel (B) up under the Ridge Cap and attach with six 1" screws. Tighten down the Ridge Cap snug against the top of the panels to finish the roof.

Quilt Box

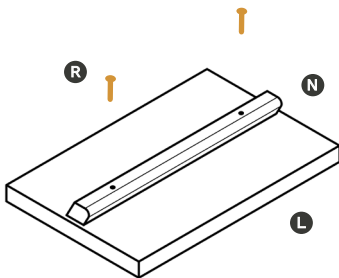
- G (1) Assembled Quilt Box w/ Canvas
- I (1) Natural Hemp Insulation Pad



Place the Hemp Insulation Pad inside of the Quilting Box.

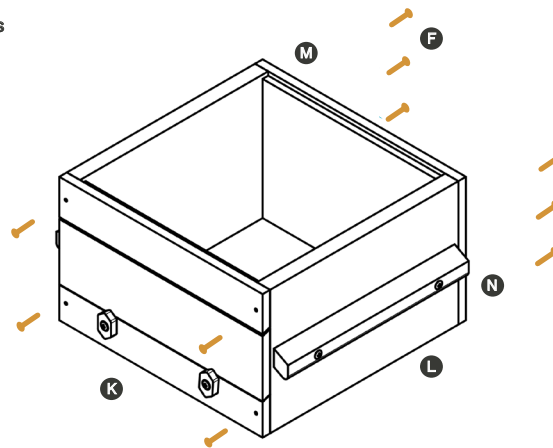
Hive Box

- L (4) Box Sides
- N (4) Handles
- R (8) 2 1/2" Screws



Attach one Handle (N) to each Box Side (L) with two 2 1/2" screws for each Handle. You will do this four times. Be sure to attach the Handle at the same position each time.

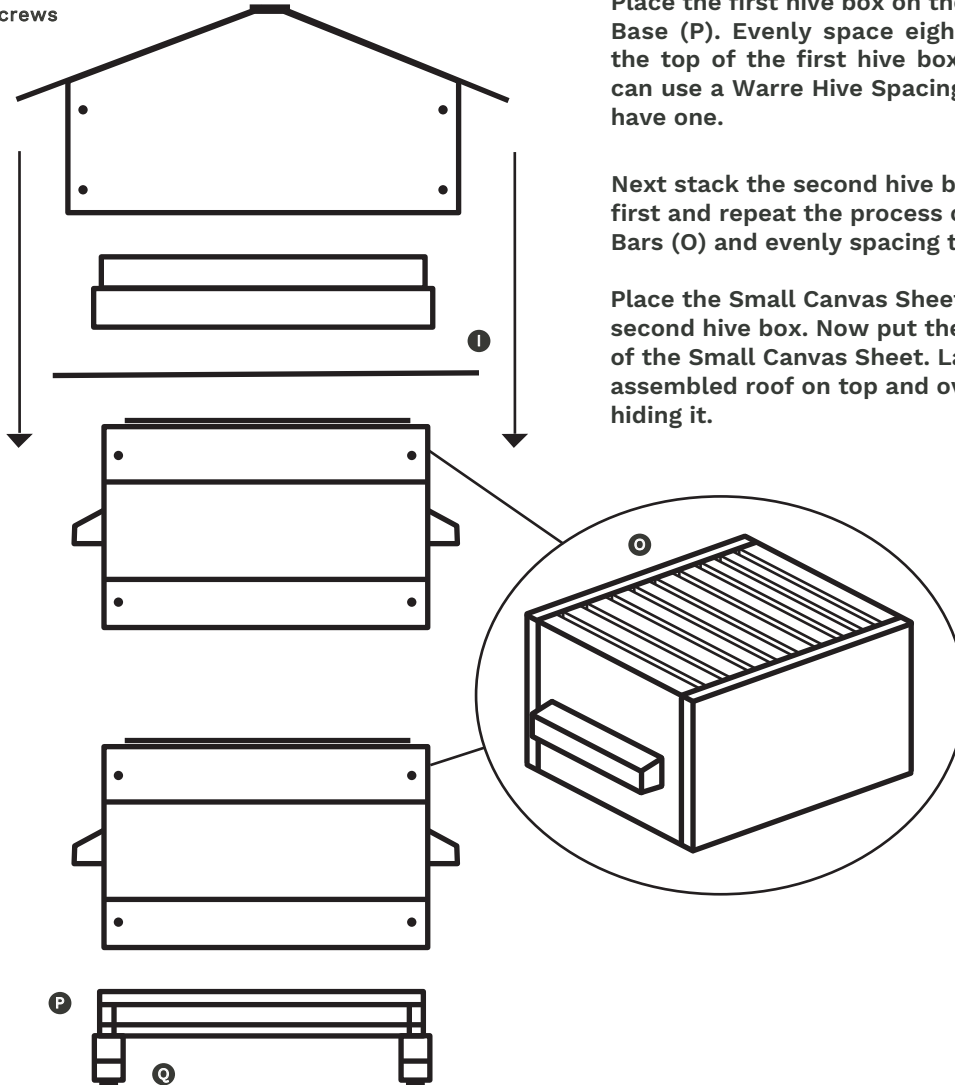
- F (20) 1 1/2" Screws
- K (2) Window Assemblies
- L (4) Box Sides
- M (2) Box Backs
- N (4) Handles



Next build two identical windowed hive boxes. Take one Window Assembly (K) and two Box Sides (L) and place them on a table with the handles sloping downward for ease of lifting and better rain runoff. Next attach the Window Assembly and two Box Sides with four 1 1/2" screws through the holes pre-drilled in the Window Assembly. Next attach the Box Back (M) to the other end of the Box Sides (L) with six 1 1/2" screws. Repeat to build the second hive box.

Finishing Up

- Ⓛ (1) Small Canvas
- Ⓞ (16) Top Bars
- Ⓟ (1) Assembled Screened Base
- Ⓠ (2) Feet
- Ⓡ (4) 2 1/2" Screws



Set the Assembled Screened Base (P) upside down on a table. Use four 2½" screws to attach two Feet (Q) with the arched side facing upward.

Place the first hive box on the Assembled Screen Base (P). Evenly space eight Top Bars (O) into the top of the first hive box, flat sides up. You can use a Warre Hive Spacing Tool for this if you have one.

Next stack the second hive box on top of the first and repeat the process of adding eight Top Bars (O) and evenly spacing them.

Place the Small Canvas Sheet (I) on top of the second hive box. Now put the Quilt Box on top of the Small Canvas Sheet. Lastly, set the assembled roof on top and over the Quilt Box, hiding it.

Once your hive is fully assembled, we recommend using 100% Tung Oil as a natural sealant. Tung Oil takes time to dry and can be messy. For best results we recommend sealing your hive prior to any extended outside exposure. Make sure to wait until the hive is FULLY assembled, and only apply Tung Oil to EXTERNAL surfaces. Never use Tung Oil anywhere inside the hive boxes, between hive boxes, or on the Top Bars as the smell from getting any Tung Oil inside the hive or joints could make your bees flee!

Any rags used for Tung Oil should be properly disposed of immediately! [Click to learn how.](#)