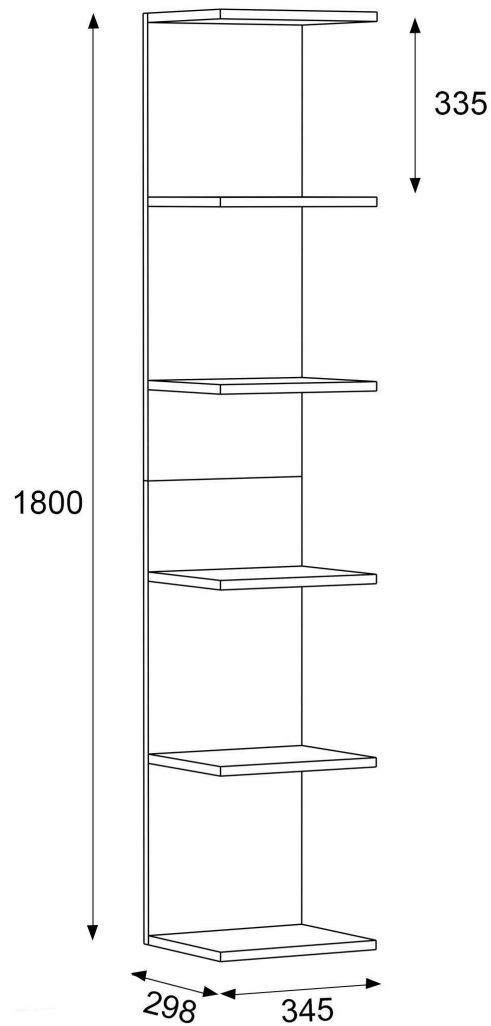
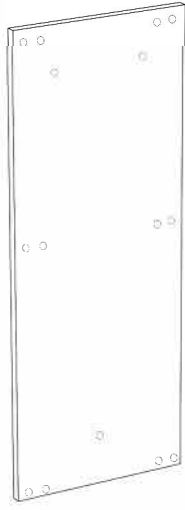
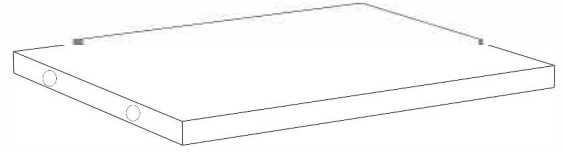


Wall Mounted Bookshelf Instruction Manual



A**x2****B****x6**

a

x6

b

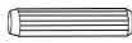
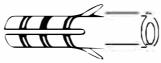
x14

c

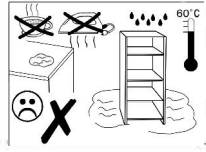
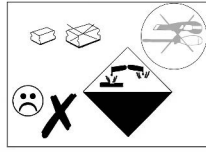
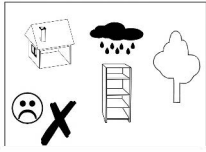
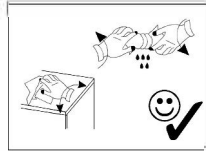
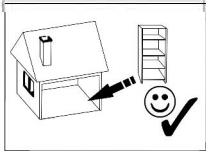
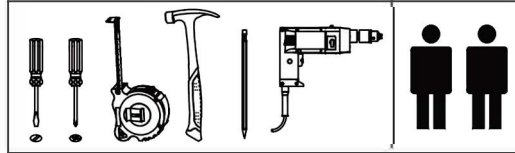
x18

d

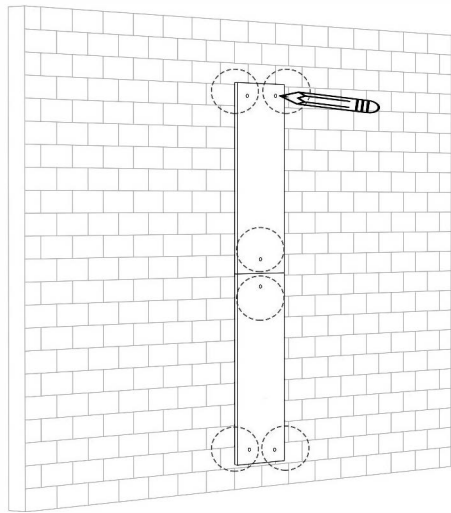
x6



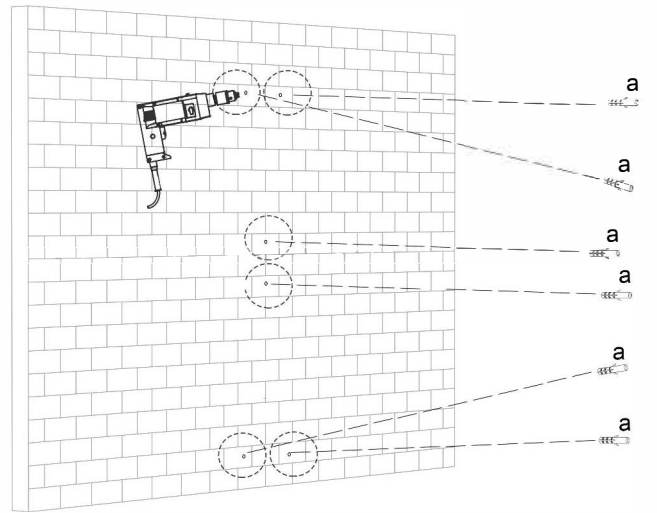
YHB 5x50



01

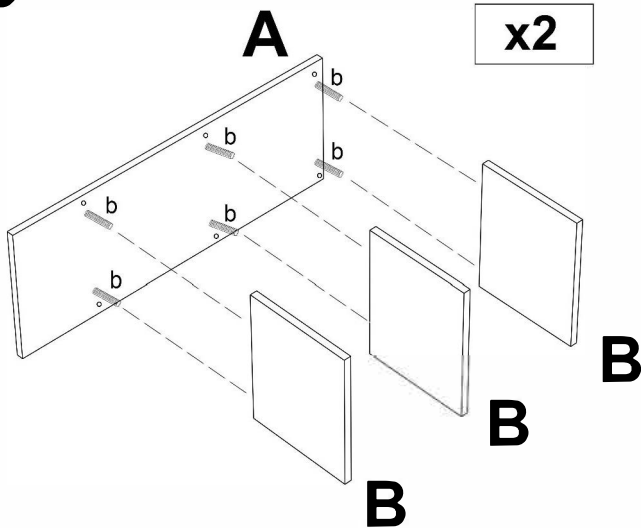


02



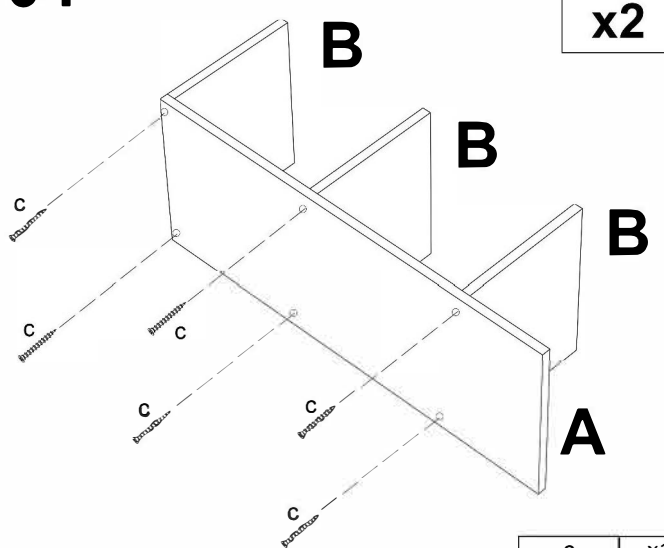
a	x6
---	----

03



b	x12
---	-----

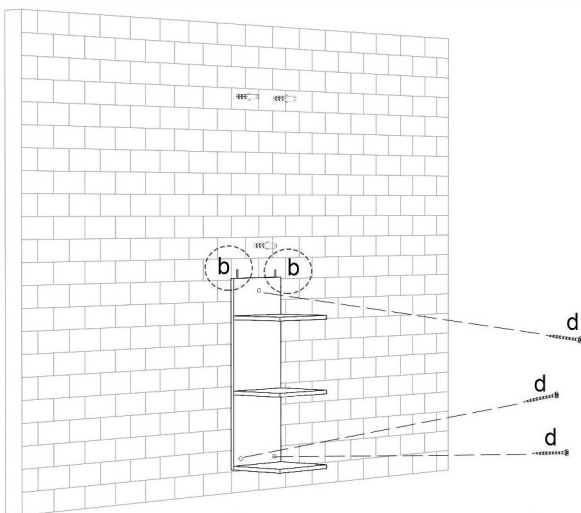
04



c	x12
---	-----

YHB 5x50

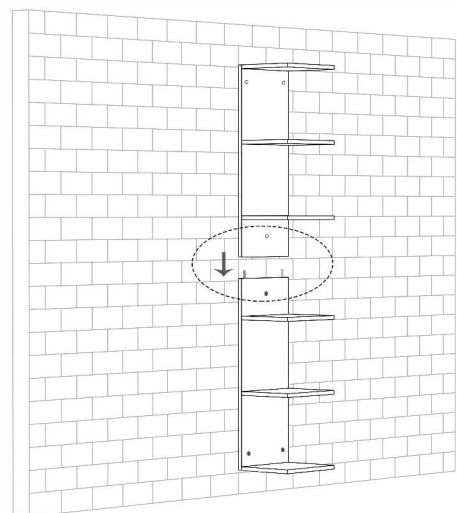
05



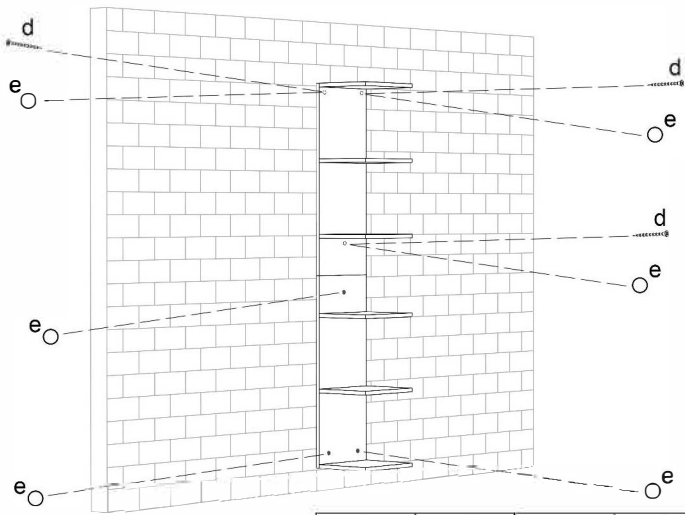
b	x2	c	x3
---	----	---	----

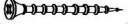

YHB 5x50

06



07



c	x3	d	x6
			
YHB 5x50			