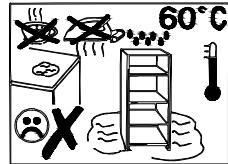
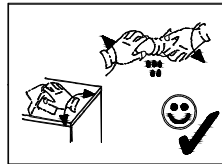
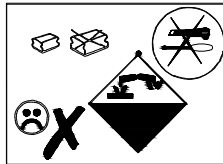
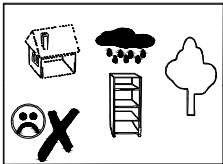
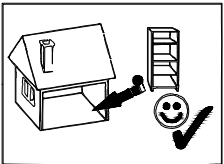
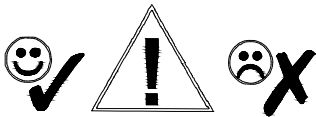
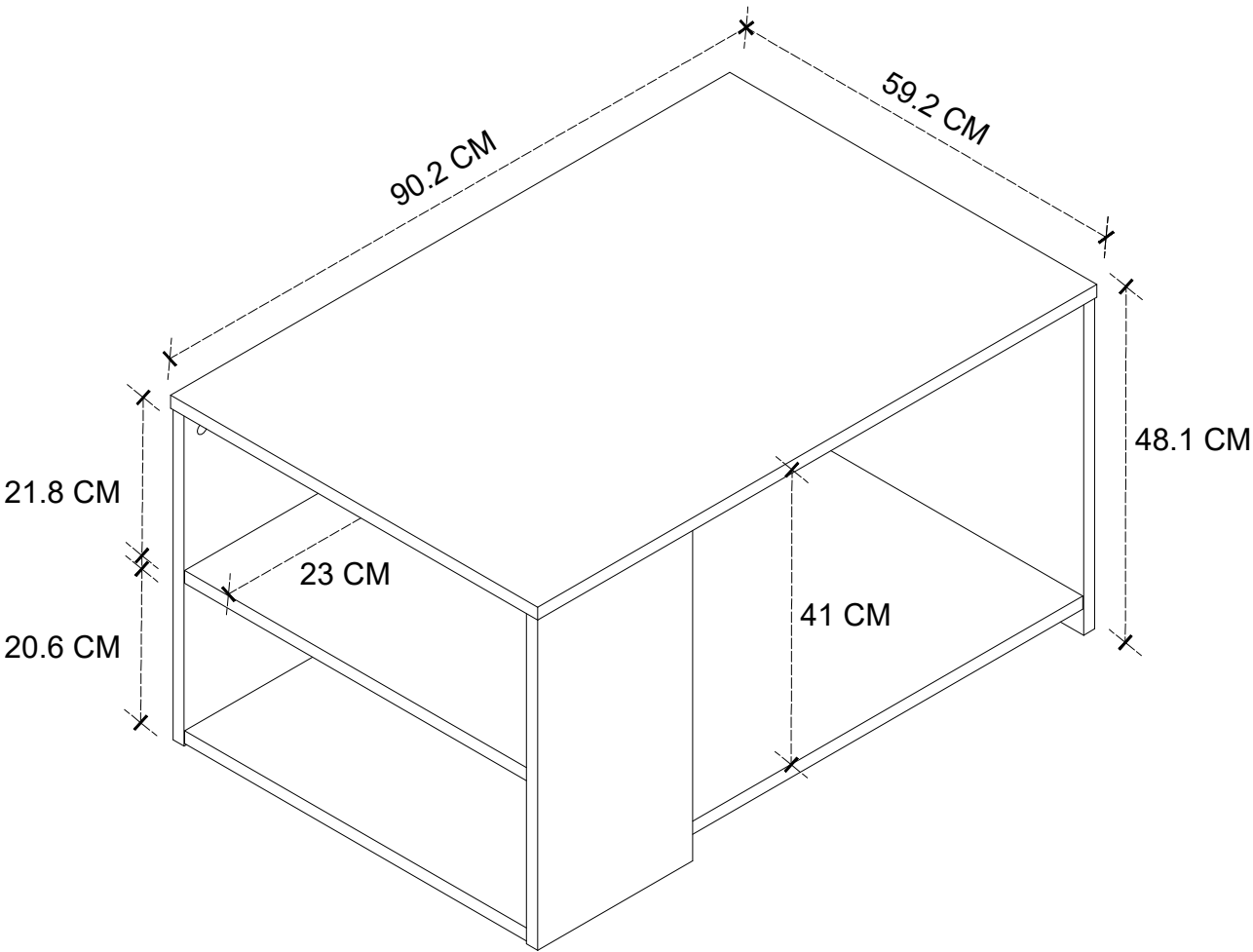
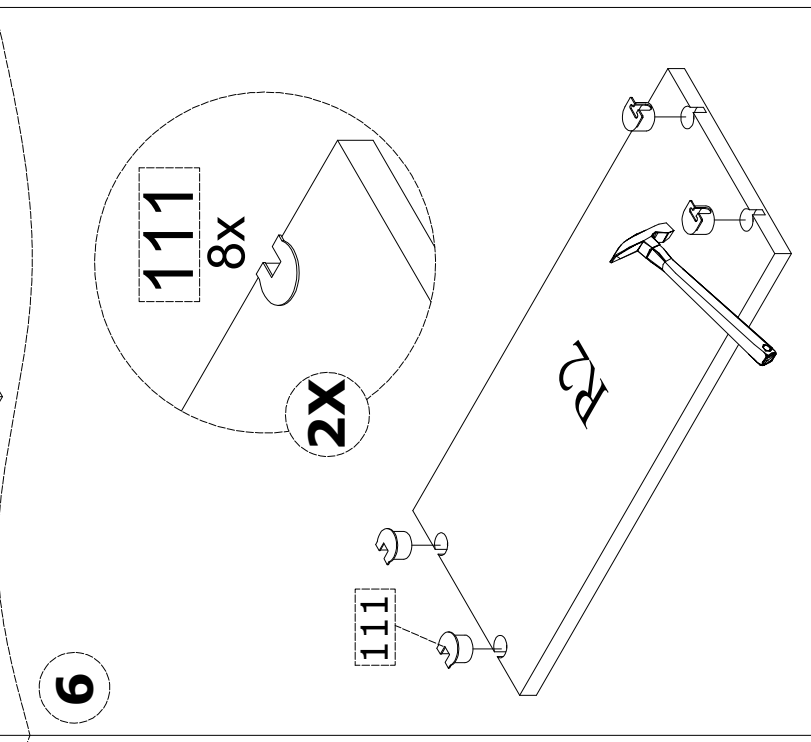
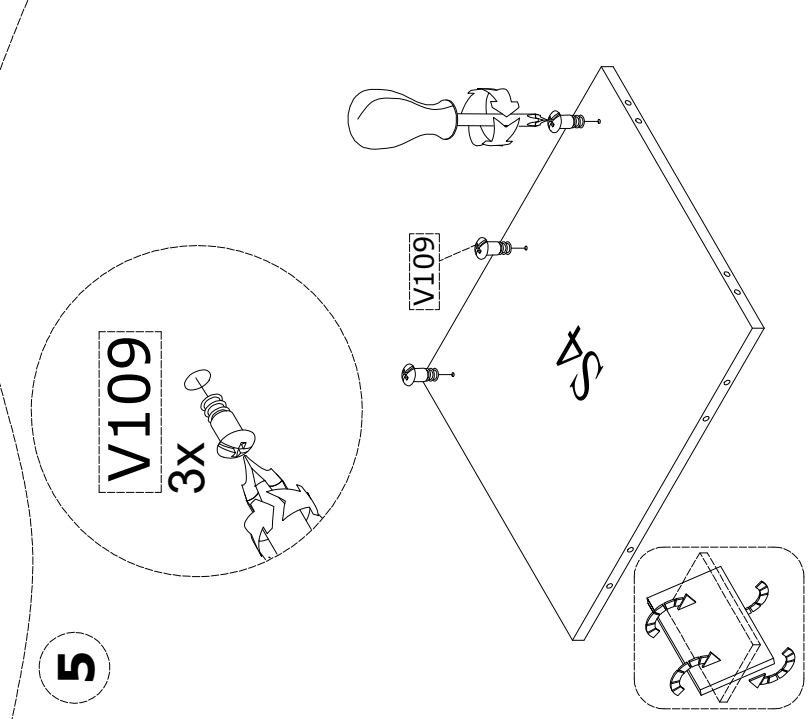
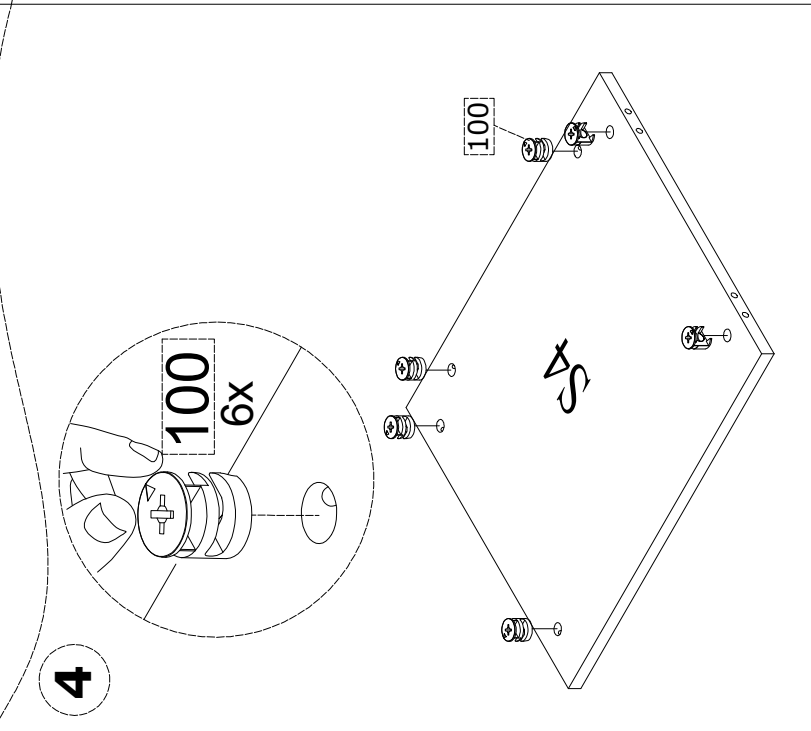
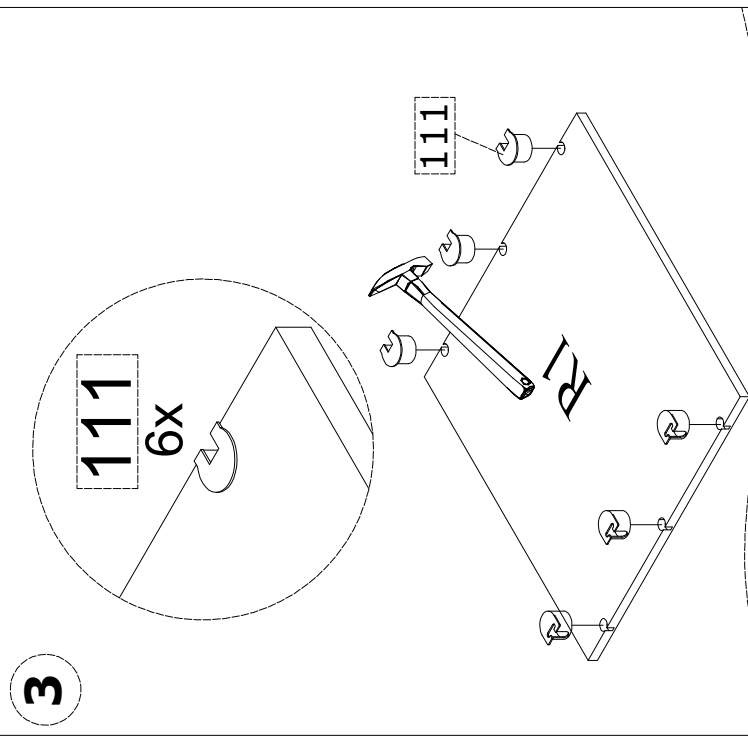
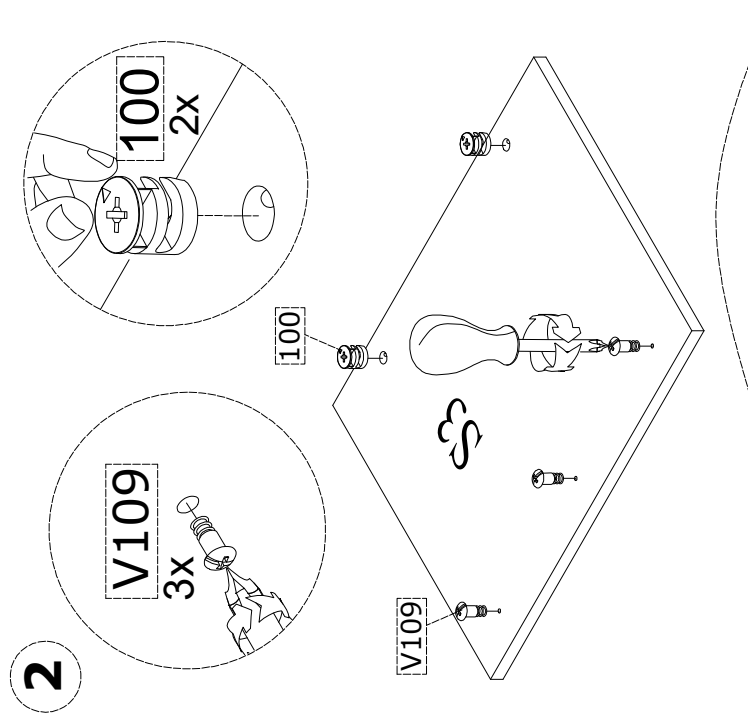
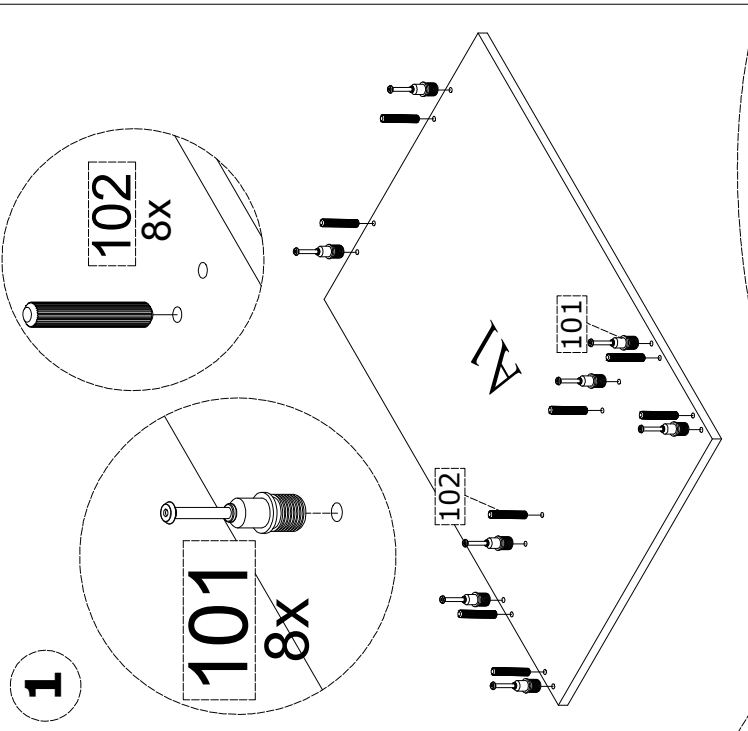
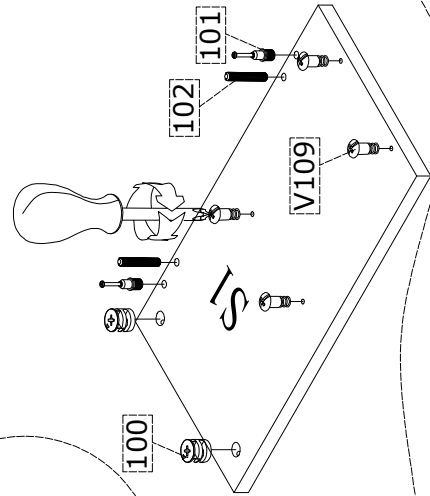
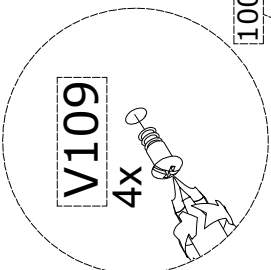
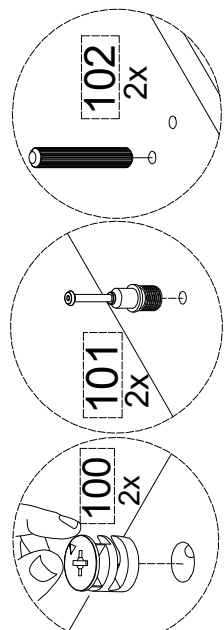


# COFFEE TABLE WITH BOOKSHELF INSTRUCTION MANUAL

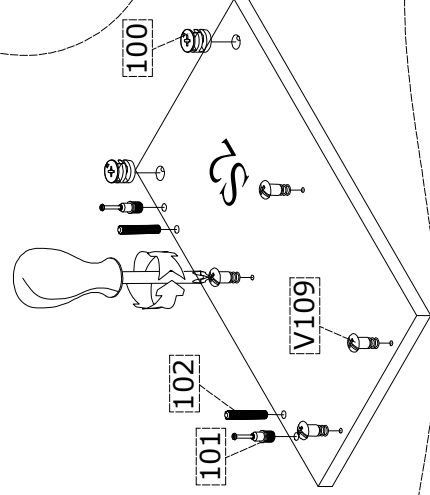
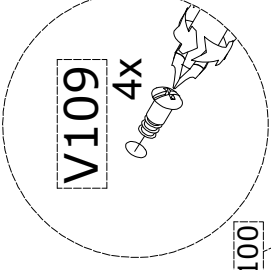
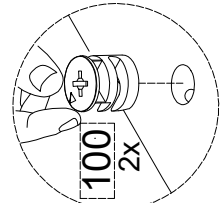
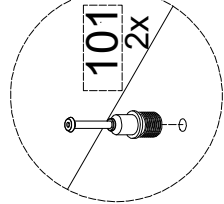
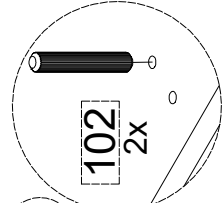




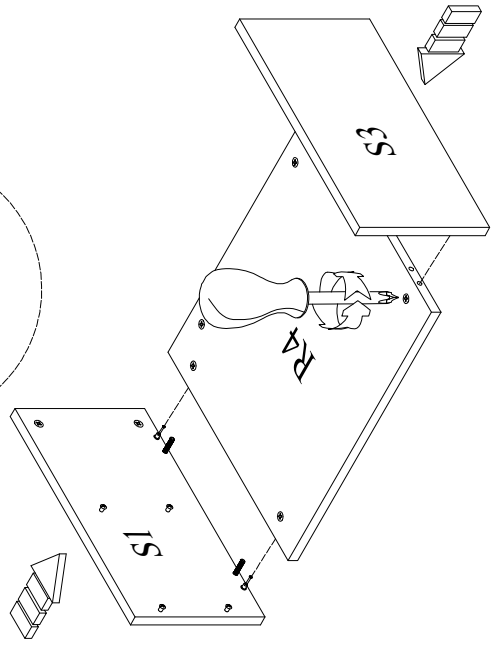
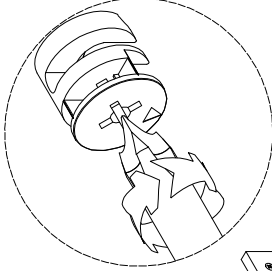
7



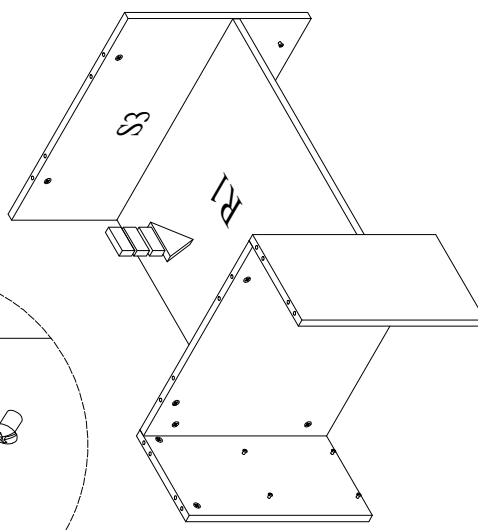
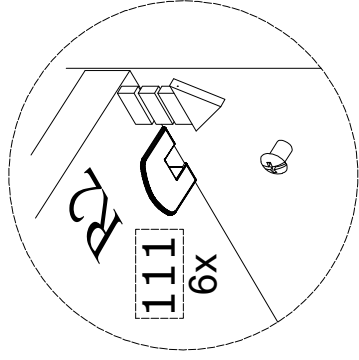
8



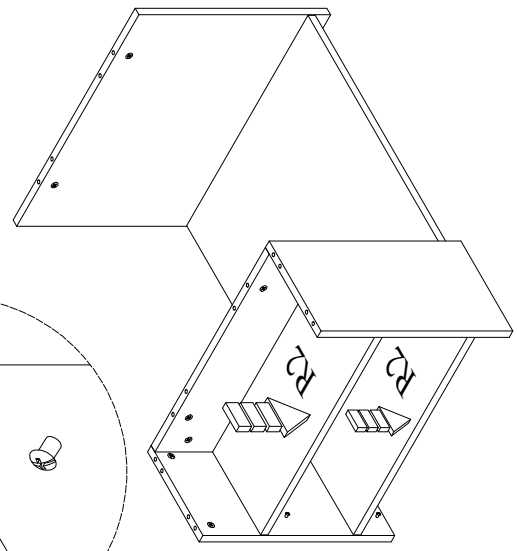
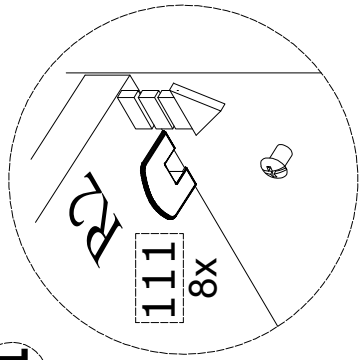
9



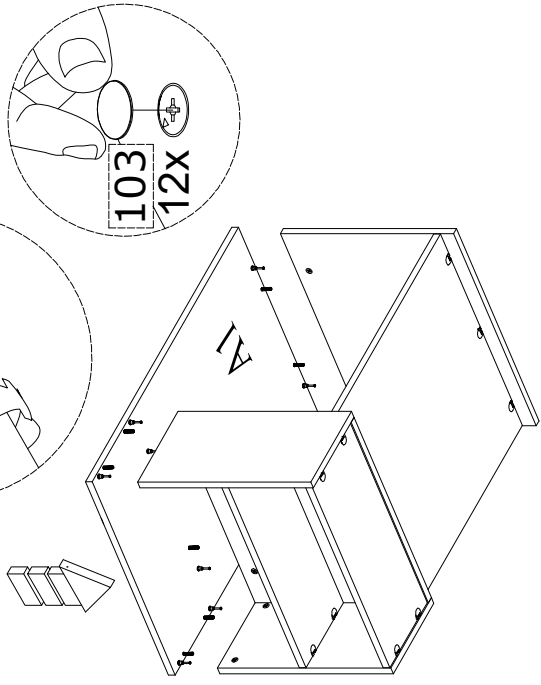
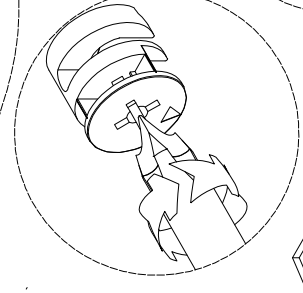
10



11



12



PKG1

A

A1  
1X

R2  
2X

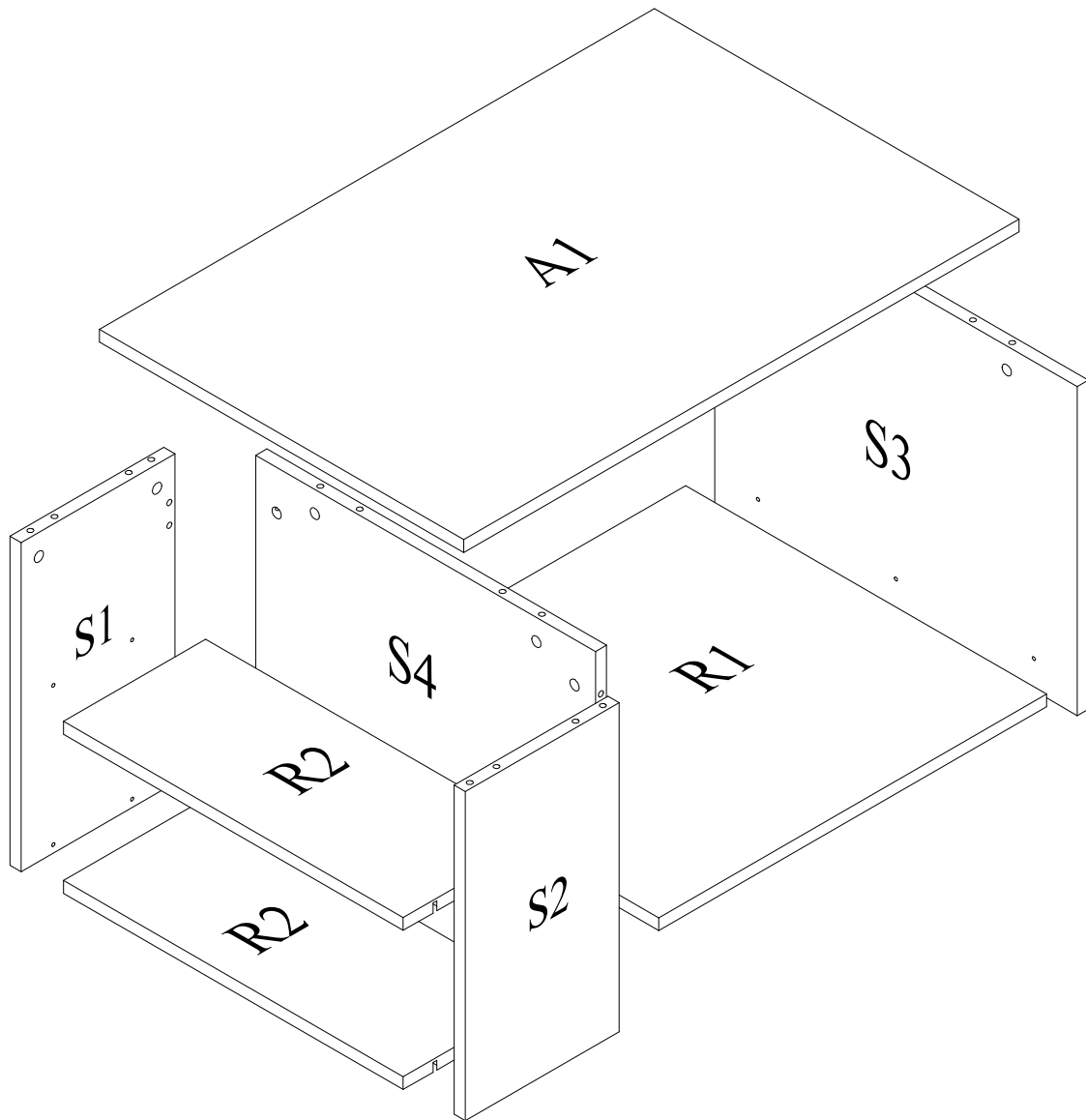
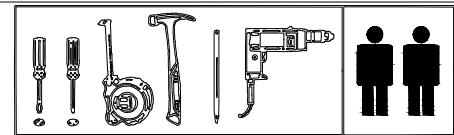
R1  
1X

S1  
1X

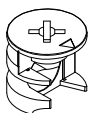
S2  
1X

S4  
1X

S3  
1X

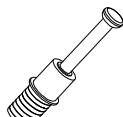


ACCESSORY NO:100  
MINIFIX BODY



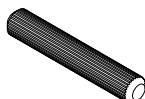
12 PCS

ACCESSORY NO:101  
MINIFIX SPINDLE



12 PCS

ACCESSORY NO:102  
Ø8 x 29 PLASTIC  
DOWEL



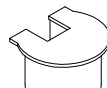
12 PCS

ACCESSORY NO:125  
MINIFIX TAP GRAY



12 PCS

ACCESSORY NO:128  
RAFFIX BODY BROWN



14 PCS

ACCESSORY NO:V109  
RAFFIX SHAFT  
Ø6x7,5 MM



14 PCS

