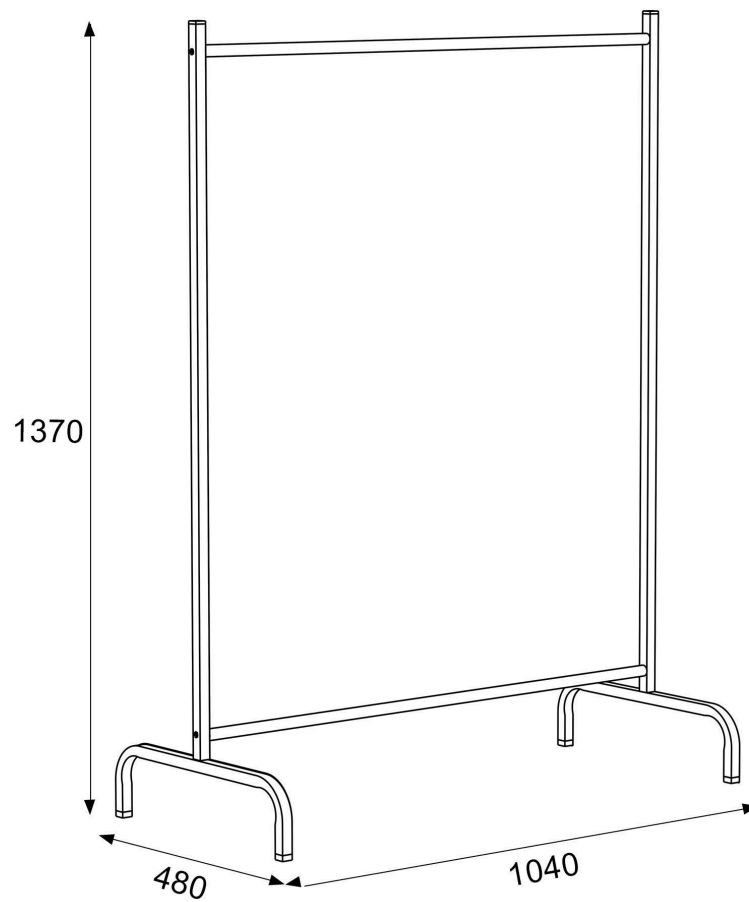


# Metal Clothes Hanger Stand Instruction Manual

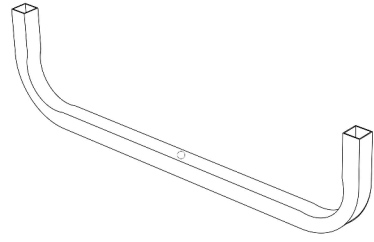


**A**



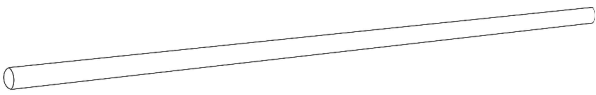
**x2**

**B**

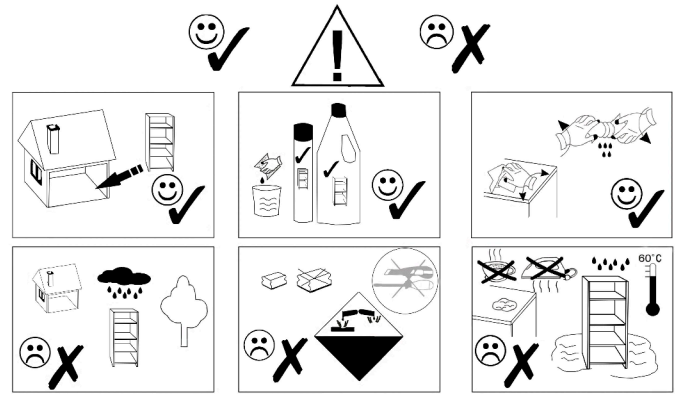


**x2**

**C**

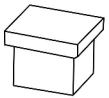


**x2**



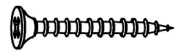
a

x6

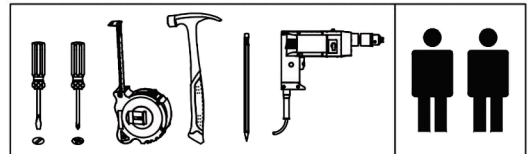


b

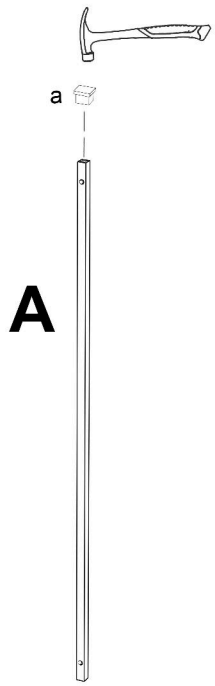
x6



M5x50



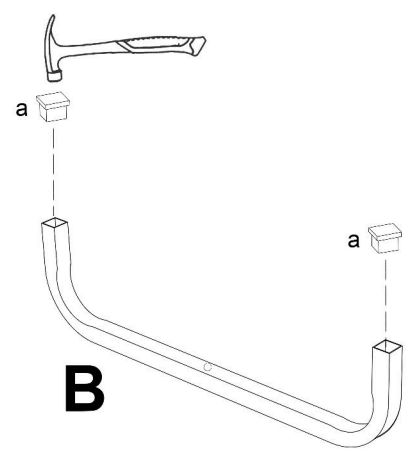
01



x2

a	x2

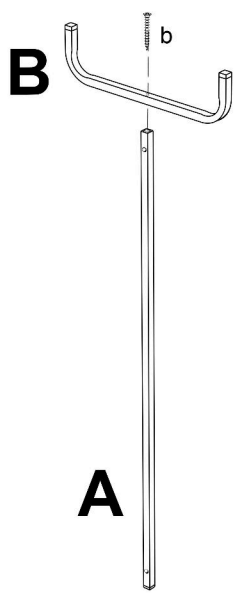
02



x2

a	x4

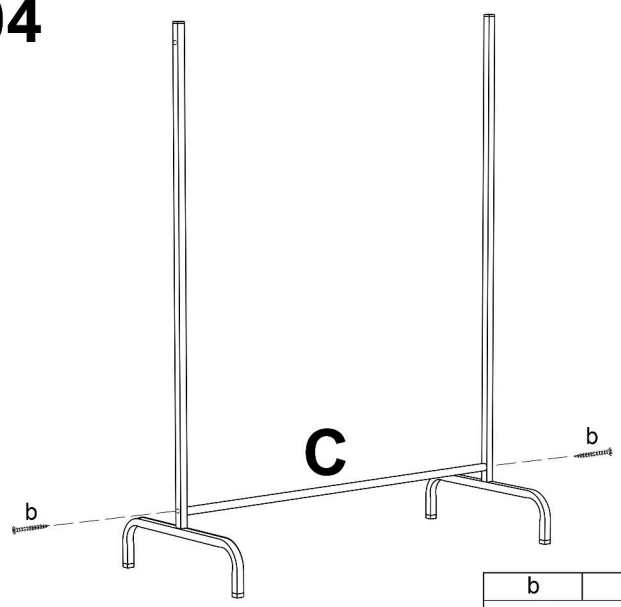
03



x2

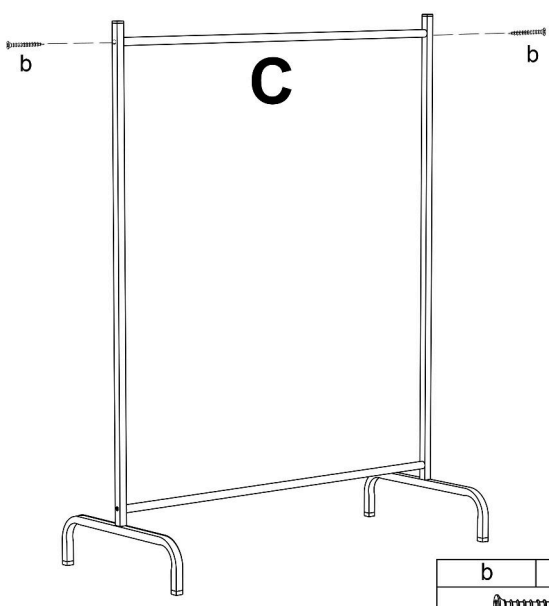
b	x2
M3.5x50	

04



b	x2
M3.5x50	

05



b	x2
M3.5x50	