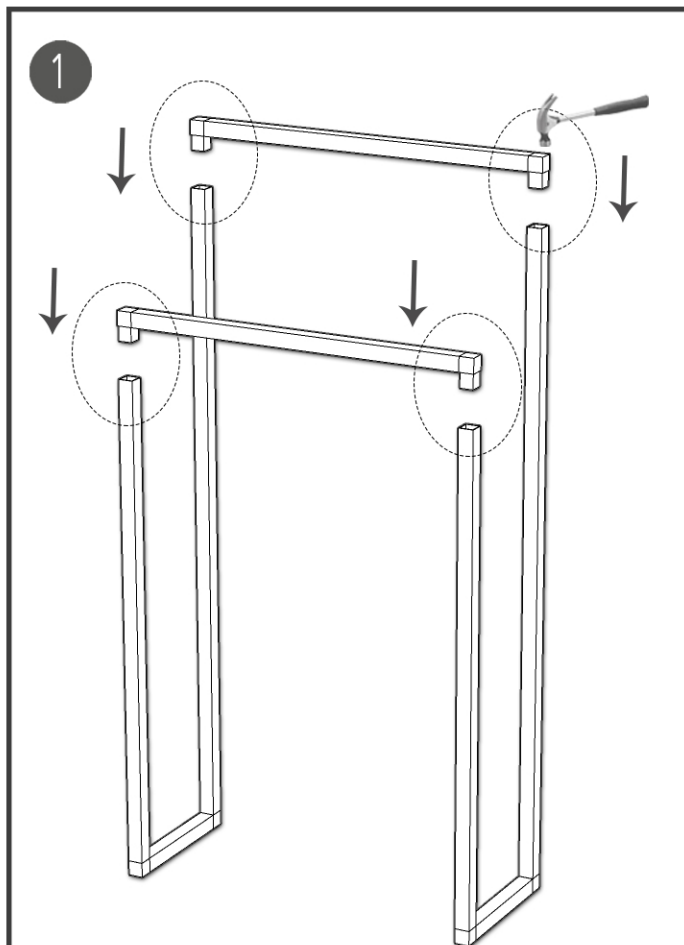
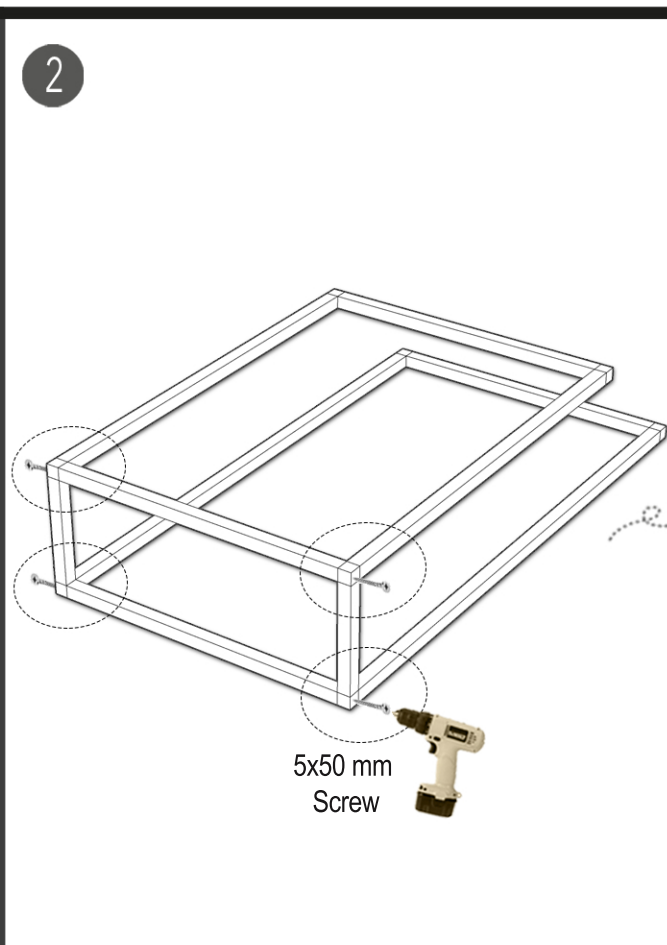


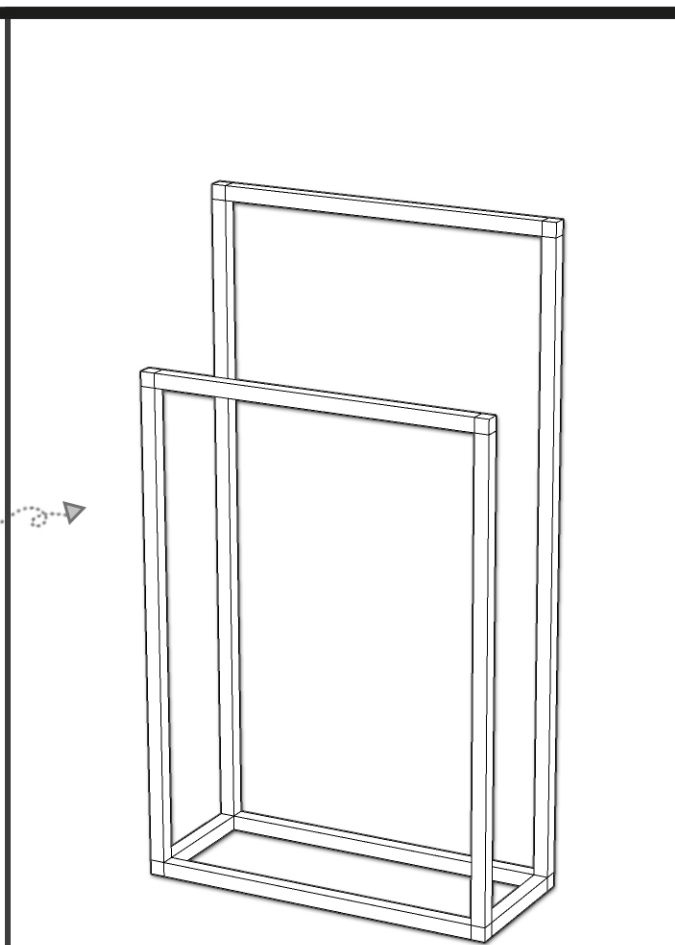
Note: We recommend to do the installation with the help of a drill.



1) Bring the U type profiles to the upright position and hammer top metal profiles into U profiles by help of an hammer.



2) Lay the towel holder on a flat surface, then fix the lower metal profiles to the U type profiles with 5X50 mm screws.



Your metal towel holder is ready to use.

