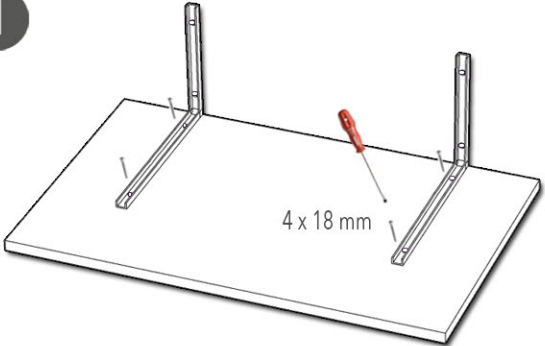


WALL MOUNTED 72 x 45 CM TABLE

Note: We recommend to do the installation with the help of a drill.

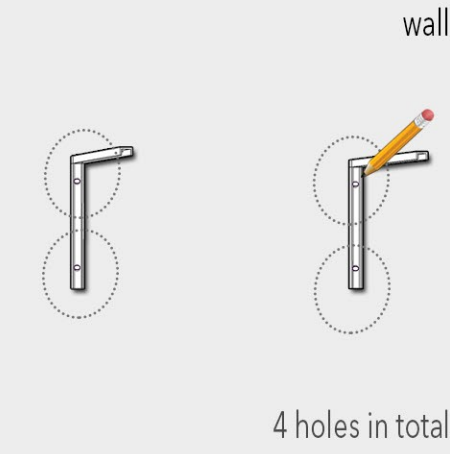
1



4 x 18 mm

1) Fix the L flexure apparatuses with 4 x 18 mm chipboard screws to the chipboard through the specified holes. (30 cm part will come to the chipboard).

2

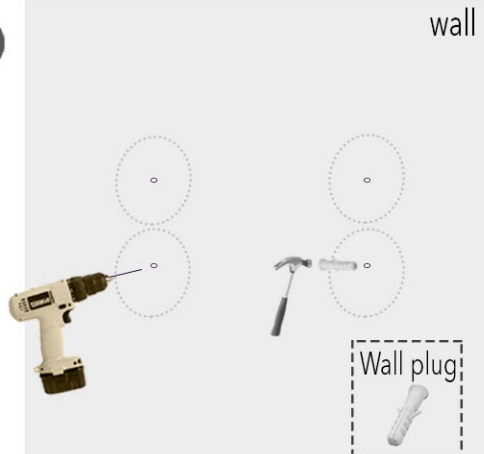


wall

4 holes in total

2) Determine the parts that you will drill on the wall by marking them with a pencil.

3



wall

Wall plug

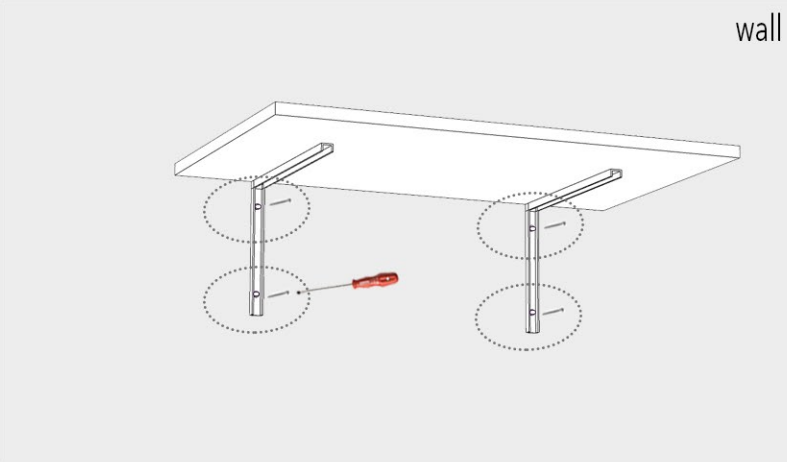
3) Drill the wall with 7 mm wall drilling tip. Then, nail the wall plugs in the holes.



wall





The wall table is ready to use. Wish you to enjoy it!

4



wall

4) Fix the table to the wall with 5 x 60 mm bolts after placing the holes on the L flexure apparatuses to the wall plugs.

<p>4 x 18 mm chipboard screws</p>  <p>4 pcs</p>	<p>8 mm Wall plug</p>  <p>4 pcs</p>	<p>5 x 60 mm Wall Screw</p>  <p>4 pcs</p>	<p>Folding console</p>  <p>2 pcs</p>
--	--	--	--