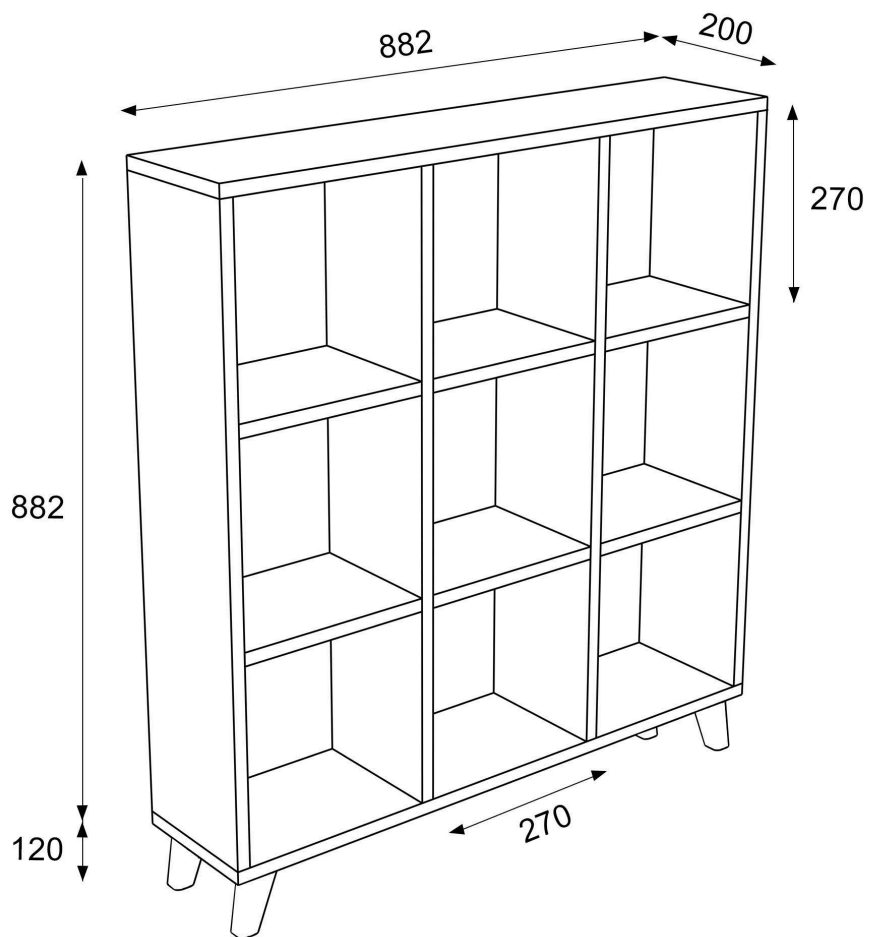
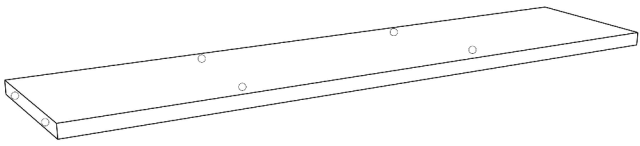


Cube Bookshelf Instruction Manual

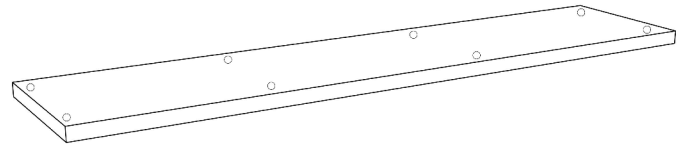


A



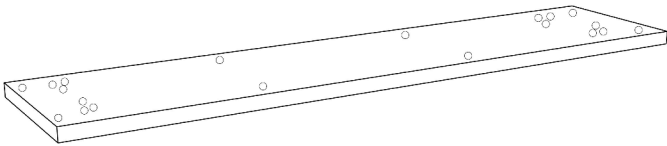
x4

B



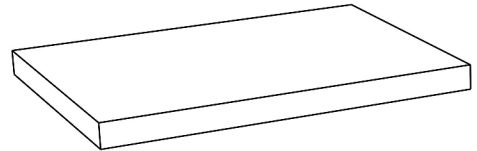
x1

C



x1

D

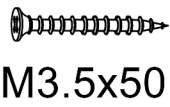


x6

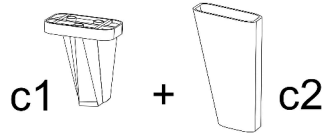
a x16



b x16



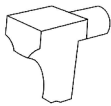
c x4



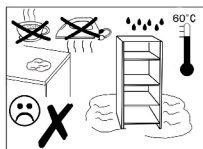
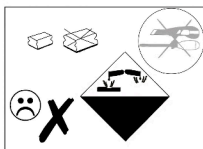
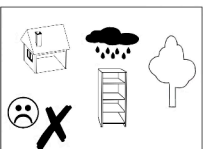
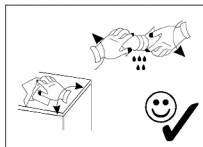
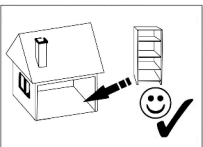
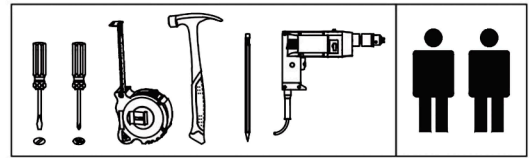
d x12



e x24

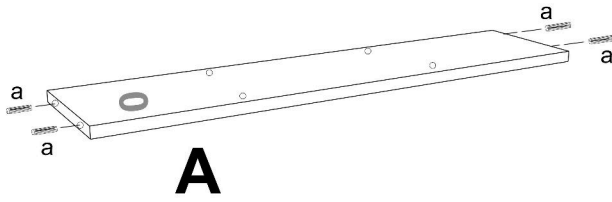


f x8



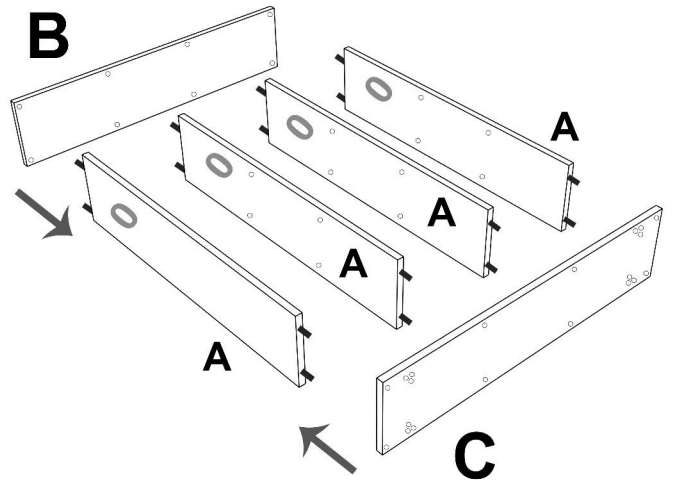
01

x4

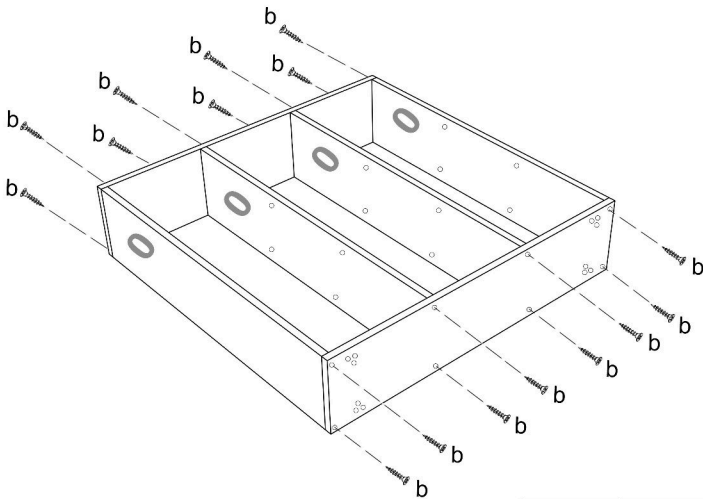


| | |
|---|-----|
| a | x16 |
| | |

02

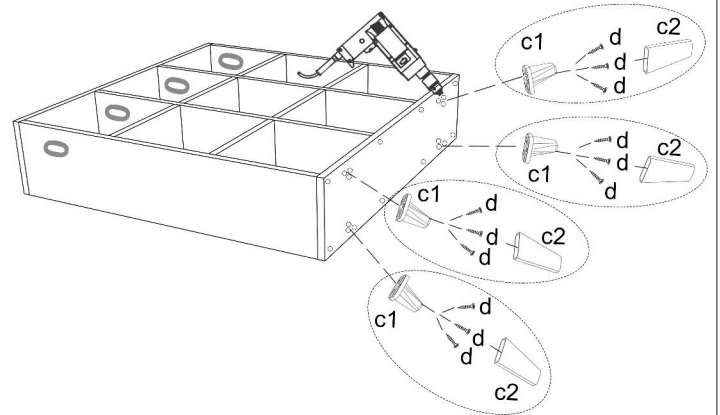


03



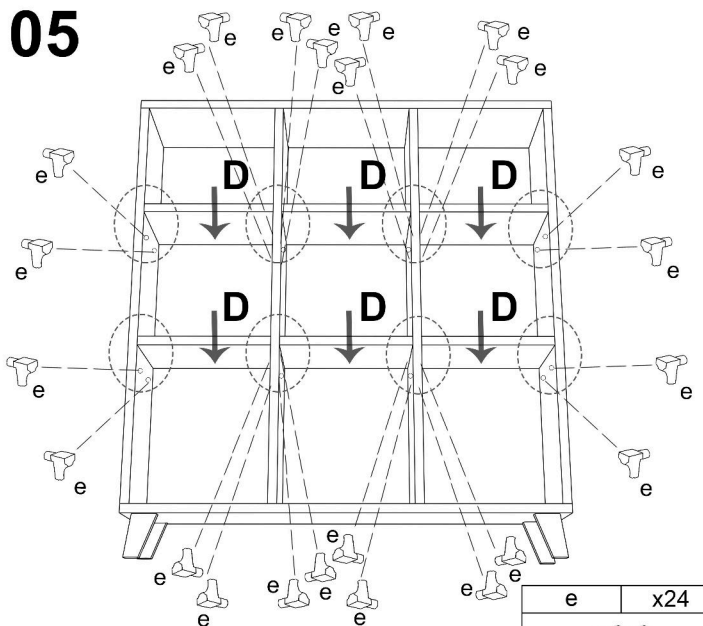
| | |
|---------|-----|
| b | x16 |
| | |
| M3.5x50 | |

04



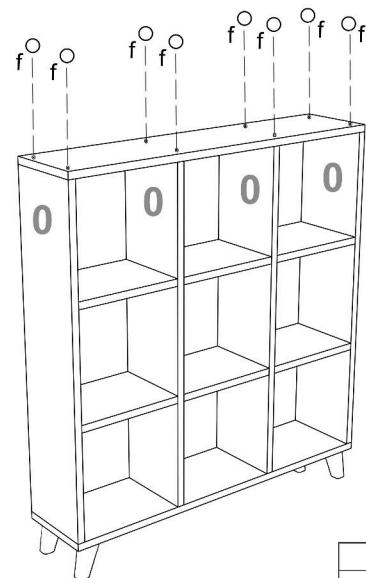
| | | | |
|---------|----|-------|-----|
| c | x4 | d | x12 |
| | | | |
| c1 + c2 | | M4x25 | |

05



| | |
|---|-----|
| e | x24 |
| | |

06



| | |
|---|----|
| f | x8 |
| | |