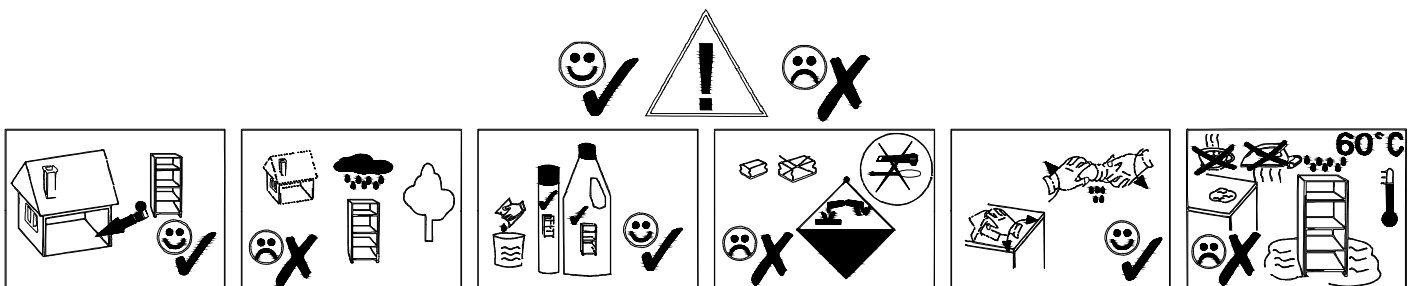
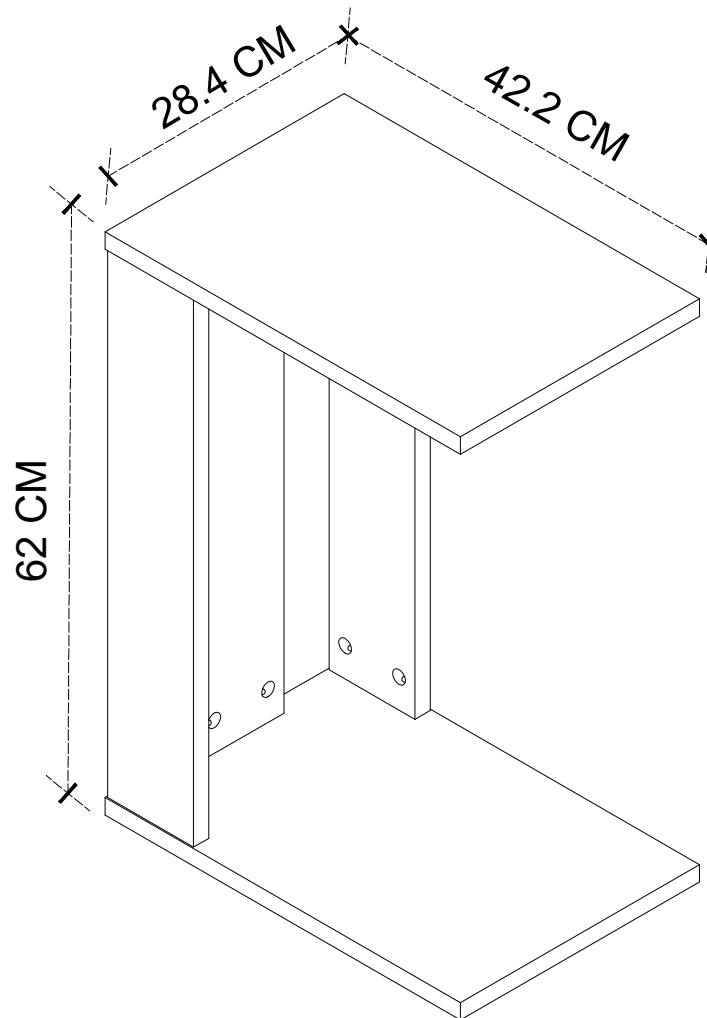
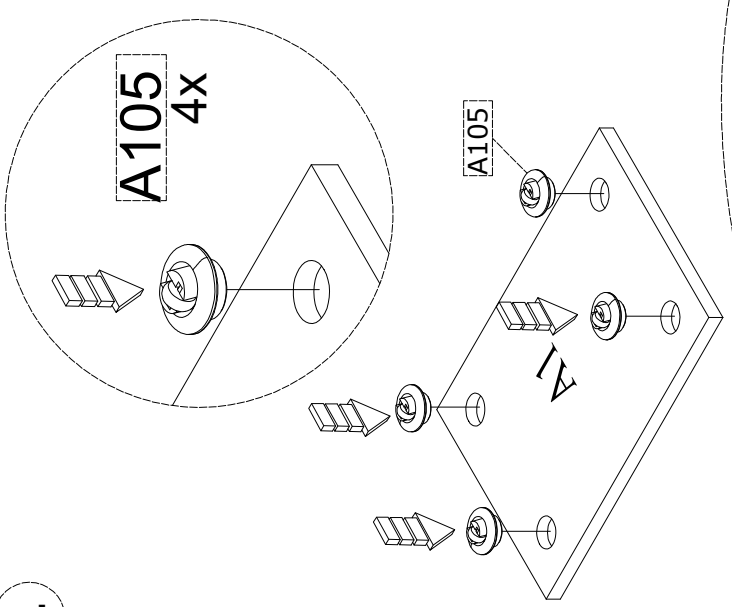


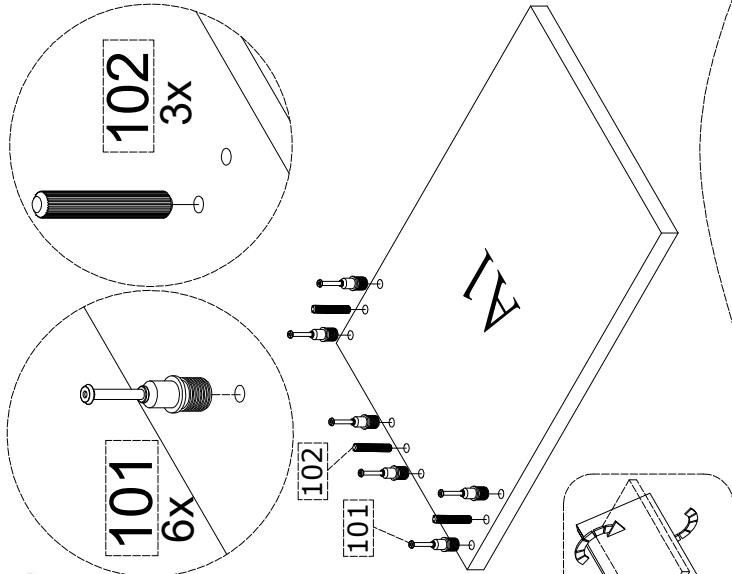
SWIVEL CASTER COFFEE TABLE



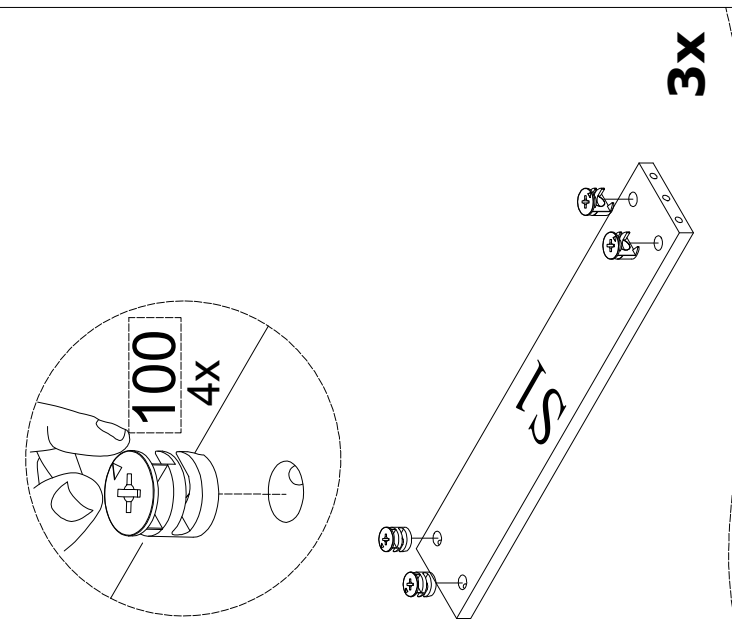
1



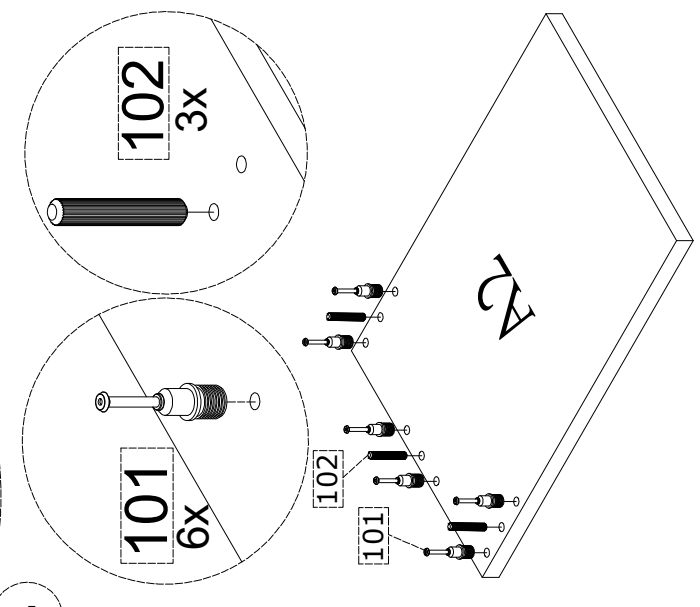
2



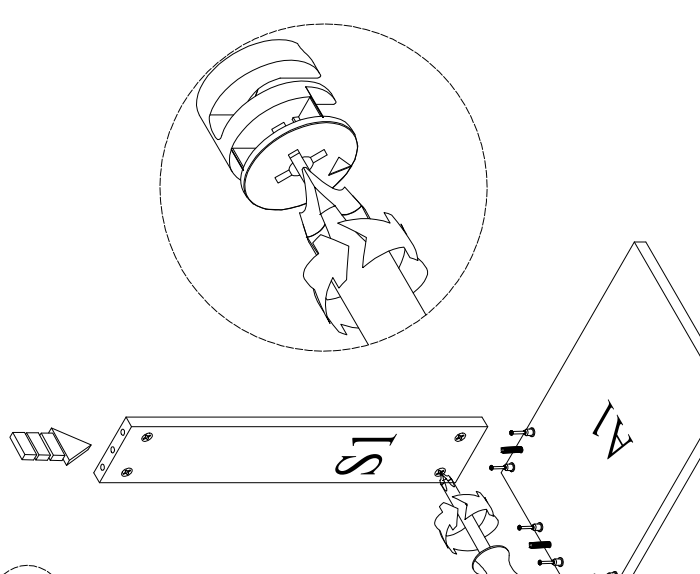
3



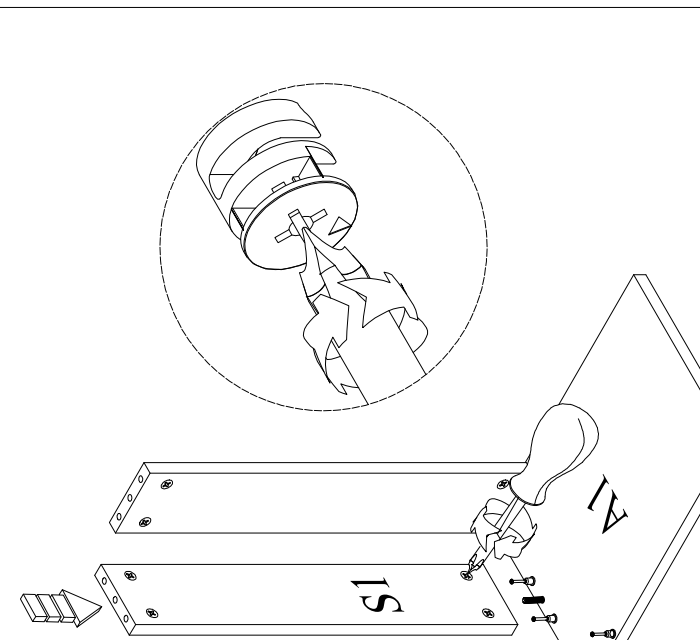
4



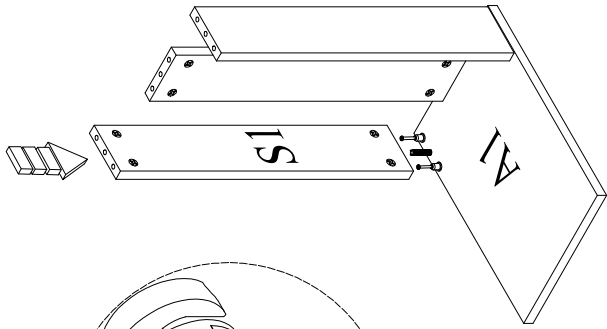
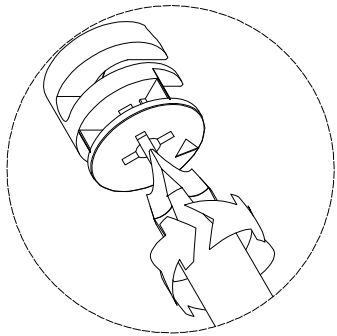
5



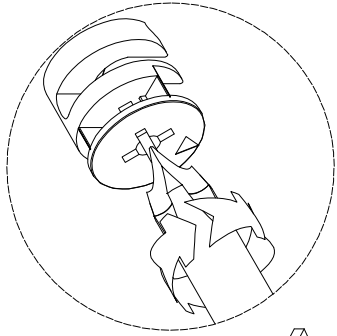
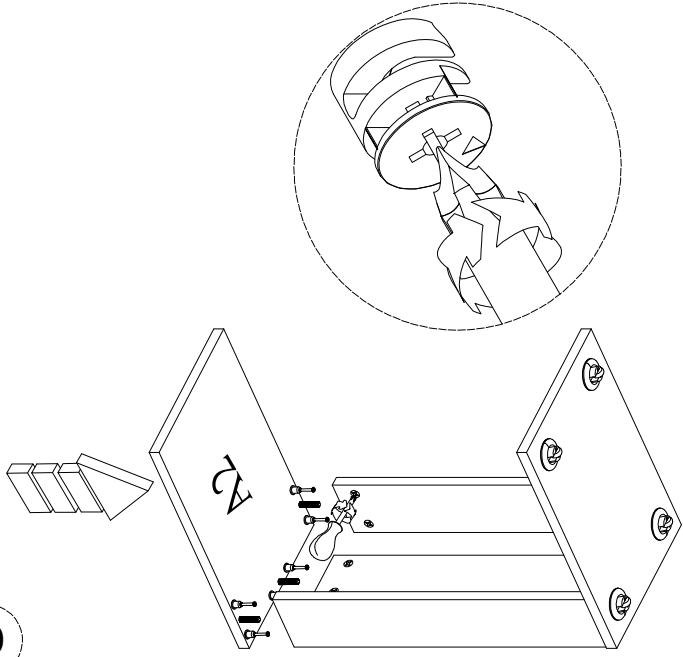
6



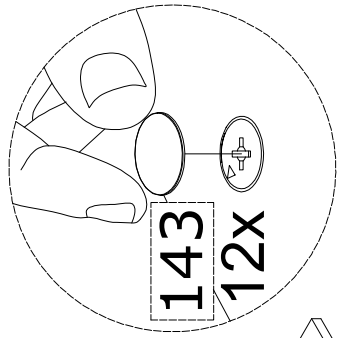
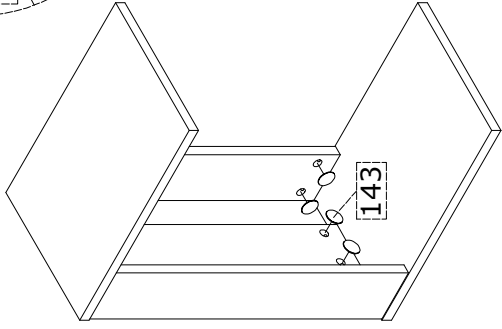
7



8



9



143
12X

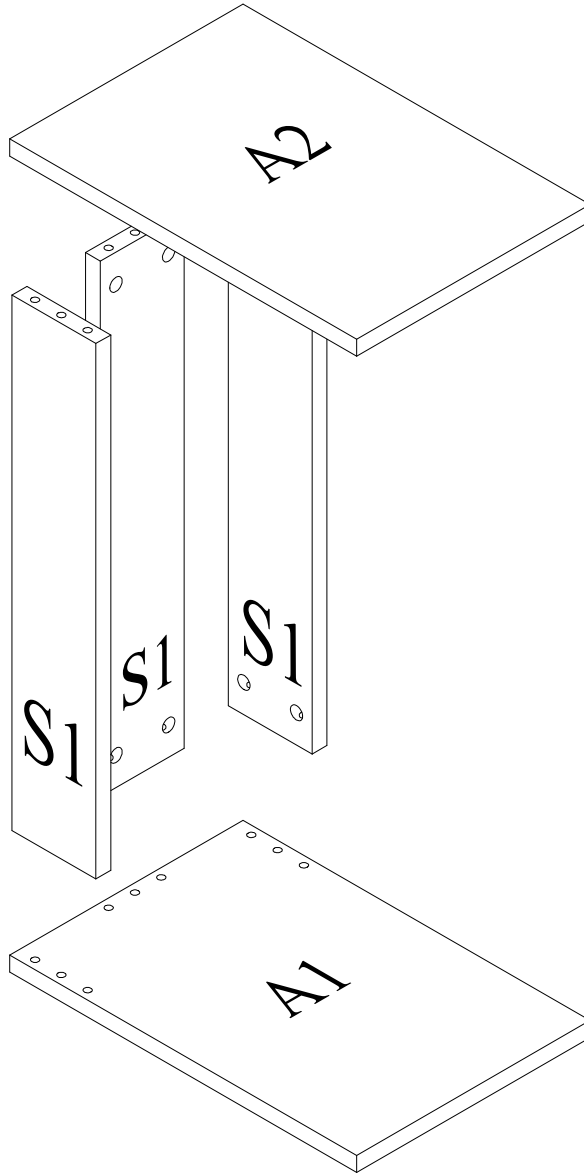
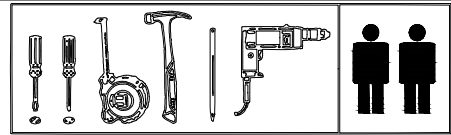
PKG1

A

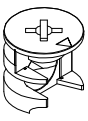
A1
1X

A2
1X

S1
3X



ACCESSORY NO:100
MINIFIX BODY



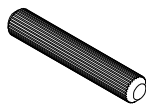
12 PCS

ACCESSORY NO:101
MINIFIX SPINDLE



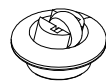
12 PCS

ACCESSORY NO:102
Ø8 x 29 PLASTIC
DOWEL



06 PCS

ACCESSORY NO:A105
ROTARY
WHEELED LEG



04 ADET

ACCESSORY NO:143
MINIFIX TAP



12 PCS
