



## Operating instructions Heat pump dryer



To avoid the risk of accidents or damage to the appliance it is **essential** to read these instructions before it is installed and used for the first time.

# Contents

---

<b>Caring for the environment</b> .....	6
<b>Warnings and safety instructions</b> .....	7
<b>Operating the tumble dryer</b> .....	19
Control panel .....	19
Display .....	21
Examples on how to operate the appliance .....	21
<b>Before using for the first time</b> .....	22
Installation .....	22
Downtime after installation .....	22
Information about networking .....	22
Miele@home .....	22
Wash2Dry   .....	23
<b>Energy saving tips</b> .....	26
Energy saving tips .....	26
Feedback .....	27
<b>1. Notes on correct laundry care</b> .....	28
Points to note regarding washed laundry .....	28
Preparing the laundry before drying .....	28
Drying .....	29
Care symbols .....	29
Selecting the correct drying level .....	29
<b>2. Load the tumble dryer</b> .....	30
Loading the laundry .....	30
Checking FragranceDos .....	30
<b>3. Selecting a programme</b> .....	31
Switching on the tumble dryer .....	31
Selecting a programme .....	31
<b>4. Selecting programme settings</b> .....	34
Selecting the drying level .....	34
Selecting the running time for time programmes .....	35
Selecting Extras .....	35
◆ Delay start/SmartStart .....	36
<b>5. Starting a programme</b> .....	38
Starting the programme .....	38
<b>6. End of programme - unload the drum</b> .....	39
End of programme .....	39

---


Unloading the drum.....	39
<b>Programme chart</b> .....	40
Programmes on the control panel .....	40
Further programmes.....	44
<b>Extras</b> .....	47
DryFresh .....	47
DryCare 40 .....	47
PowerFresh.....	48
Buzzer.....	48
Drying programme overview - Extras.....	49
<b>Changing the programme sequence</b> .....	50
Adding or removing laundry .....	50
<b>Condensed water container</b> .....	51
Emptying the condensed water container .....	51
Filling the condensed water container .....	52
<b>Fragrance flacon</b> .....	53
FragranceDos .....	53
Removing the protective seal from the fragrance flacon.....	53
Inserting the fragrance flacon.....	54
Opening the fragrance flacon .....	55
Closing the fragrance flacon .....	55
Removing/replacing the fragrance flacon .....	56
<b>Cleaning and care</b> .....	57
Fluff filters.....	57
Removing the fragrance flacon .....	57
Removing visible fluff .....	57
Cleaning the fluff filters and air flow openings thoroughly .....	58
Cleaning the fluff filters with water .....	59
Cleaning the plinth filter.....	60
Removing the plinth filter .....	60
Cleaning the plinth filter.....	61
Cleaning the plinth filter access panel .....	62
Cleaning the dryer .....	62

# Contents

---

<b>Problem solving guide</b> .....	63
Fault messages shown in the display when a programme is cancelled .....	63
Messages in the display .....	65
Unsatisfactory drying results.....	66
The drying cycle duration is very long.....	67
General problems with the tumble dryer .....	68
Replacing the plinth filter.....	70
Reactivating the plinth filter.....	72
Checking the heat exchanger.....	72
Cleaning the fluff filter in the condensed water container .....	73
Replacing the condensed water spray jet .....	74
<b>Service</b> .....	75
Contact in the event of a fault .....	75
Optional accessories.....	75
Warranty .....	75
<b>Installation</b> .....	76
Front view .....	76
Rear view.....	77
Transporting the tumble dryer .....	77
Transporting the tumble dryer to its installation site .....	77
Installation .....	78
Levelling the tumble dryer .....	78
Downtime after installation.....	78
Ventilation.....	79
Before moving the tumble dryer again .....	79
Additional installation requirements .....	80
External condensed water outlet.....	81
Installation conditions requiring a non-return valve .....	81
Arranging the drain hose .....	82
Examples.....	82
Electrical connection .....	84
<b>Technical data</b> .....	85
Data sheet for household tumble driers .....	86
EU Conformity declaration .....	88
UK Conformity declaration .....	88
<b>Consumption data</b> .....	89

---

<b>Settings</b> .....	90
Accessing the settings menu .....	90
Language  .....	91
Drying levels .....	91
Cooling down temp. ....	91
Welcome tone .....	91
Keypad tone .....	92
Buzzer volume .....	92
Airways indicator .....	92
Conductivity .....	93
Consumption data .....	93
Consumption .....	93
Code .....	94
Brightness .....	94
Display .....	94
Buttons active .....	94
Buttons inactive .....	94
Disp. switch-off stat. ....	95
Memory .....	95
Anti-crease .....	95
Programme info .....	96
Miele@home .....	96
Remote control .....	97
SmartGrid .....	97
Wash2Dry .....	98
RemoteUpdate .....	98
Running a RemoteUpdate .....	98

# Caring for the environment

---

## Disposal of the packing material

The packaging is designed to protect the appliance from damage during transportation. The packaging materials used are selected from materials which are environmentally friendly for disposal and should be recycled.

Recycling the packaging reduces the use of raw materials in the manufacturing process and also reduces the amount of waste in landfill sites.

## Disposing of your old appliance

Electronic and electrical appliances contain many valuable materials. They also contain certain materials, compounds and components which were essential for their correct functioning and safety. These could be hazardous to your health and to the environment if disposed of with general waste or if handled incorrectly. Please do not, therefore, dispose of your old appliance with general waste.



Take care not to damage your tumble dryer's pipework and heat exchanger before or during transportation to an authorised collection depot.

This is to ensure that coolant in the tumble dryer and oil in the compressor is contained, and will not leak into the environment.

Please make use of officially designated collection and disposal points to dispose of and recycle electrical and electronic appliances in your local community, with your dealer or with Miele. By law, you are solely responsible for deleting any personal data from the appliance prior to disposal. Please ensure that your old appliance poses no risk to children while being stored prior to disposal.

## Warnings and safety instructions

---



It is essential to read these instructions.



This tumble dryer contains a refrigerant that is flammable and explosive.

This tumble dryer complies with all current local and national safety requirements. However, inappropriate use can lead to personal injury and damage to property.

Read the operating instructions carefully before using the tumble dryer. They contain important information on safety, installation, use and maintenance. This prevents both personal injury and damage to the tumble dryer.

In accordance with standard IEC 60335-1, Miele expressly and strongly advises that you read and follow the instructions in the chapter on installing the tumble dryer as well as the safety instructions and warnings.

Miele cannot be held liable for damage caused by non-compliance with these instructions.

Keep these operating instructions in a safe place and pass them on to any future owner.

# Warnings and safety instructions

---

## Correct application

▶ This tumble dryer is intended for use in domestic households and similar working and residential environments.

▶ This tumble dryer is not intended for outdoor use.

▶ It must be used only as a domestic appliance to dry items which have been washed in a water solution and which are marked on the manufacturer's care label as being suitable for tumble drying. If using dry cleaning kits, do so at your own risk, and follow the instructions provided on the packaging.

Any other applications may be dangerous. Miele cannot be held liable for damage resulting from incorrect or improper use or operation.

▶ This tumble dryer can only be used by people with reduced physical, sensory or mental capabilities, or lack of experience or knowledge, if they are supervised whilst using it or have been shown how to use it in a safe way and understand and recognise the consequences of incorrect operation.

## Safety with children

▶ Children under 8 years of age must be kept away from the tumble dryer unless they are constantly supervised.

▶ Children 8 years and older may only use the tumble dryer unsupervised if they have been shown how to use it safely and recognise and understand the consequences of incorrect operation.

▶ Children must not be allowed to clean or maintain the tumble dryer unsupervised.

▶ Please supervise children in the vicinity of the tumble dryer and do not let them play with it.



## Technical safety

▶ Before setting up the tumble dryer, check it for any externally visible damage.

Do not install or use a damaged tumble dryer.

▶ Before connecting the tumble dryer, ensure that the connection data on the data plate (fuse rating, voltage and frequency) match the mains electricity supply. If in any doubt, consult a qualified electrician.

▶ Temporary or permanent operation on an autonomous power supply system or a power supply system that is not synchronised with the mains power supply (e.g. island networks, back-up systems) is possible. A prerequisite for operation is that the power supply system complies with the specifications of EN 50160 or an equivalent standard.

The function and operation of the protective measures provided in the domestic electrical installation and in this Miele product must also be maintained in isolated operation or in operation that is not synchronised with the mains power supply, or these measures must be replaced by equivalent measures in the installation. As described, for example, in the current version of BS OHSAS 18001–2 ISO 45001.

▶ The electrical safety of this tumble dryer can only be guaranteed when correctly earthed. It is essential that this standard safety requirement is met. If in any doubt, please have the household wiring system tested by a qualified electrician. Miele cannot be held liable for the consequences of an inadequate earthing system (e.g. electric shock).

▶ Do not connect the appliance to the mains electricity supply by an extension lead, multi-socket adapter or similar. These can overheat and are a fire hazard.

▶ If the electrical connection cable is faulty it must only be replaced by a Miele authorised service technician to protect the user from danger.

## Warnings and safety instructions

---

- ▶ Unauthorised repairs could result in unforeseen dangers for the user, for which Miele cannot accept liability. Repairs should only be undertaken by a Miele approved service technician, otherwise any subsequent damage will not be covered by the warranty.
- ▶ Faulty components must only be replaced by genuine Miele original spare parts. The manufacturer can only guarantee the safety of the appliance when Miele replacement parts are used.
- ▶ The tumble dryer must be isolated from the electricity supply in the event of a fault and during cleaning and maintenance.
- ▶ This tumble dryer must not be used in a non-stationary location (e.g. on a ship).
- ▶ Do not make any alterations to the tumble dryer, unless authorised to do so by Miele.

## Warnings and safety instructions

---

► This tumble dryer is supplied with a special lamp to cope with particular conditions (e.g. temperature, moisture, chemical resistance, abrasion resistance and vibration). This special lamp must only be used for the purpose it is intended for. It is not suitable for room lighting. Replacement lamps may only be fitted by a Miele authorised person or the Miele Service Department.

► This tumble dryer uses a gaseous refrigerant which is condensed by the compressor. Having been increased to a high temperature level as a result of the condensing process, the refrigerant passes through a closed refrigerant circuit. The heat generated is transferred to the drying air as it flows through the heat exchanger.

- The humming noises caused by the heat pump during the drying process are normal. They do not impair the efficient functioning of the tumble dryer.
- The refrigerant is environmentally friendly and causes no damage to the ozone layer.

 Damage to the tumble dryer by switching it on too soon.

This can damage the heat pump.


After setting up the tumble dryer, wait for at least one hour before starting a drying programme.

## Warnings and safety instructions

---



- ▶ The R290 refrigerant contained in this tumble dryer is flammable and explosive. If the tumble dryer is damaged, proceed as follows:
  - Avoid naked flames or anything which creates a spark.
  - Disconnect the tumble dryer from the electrical supply.
  - Air the room where the tumble dryer is located.
  - Contact the Miele Customer Service Department.

 Risk of fire and explosion due to damage to the tumble dryer. The refrigerant is flammable and explosive if it leaks. Take measures to protect the tumble dryer against damage. Do not make any alterations to the tumble dryer.

- ▶ Follow the instructions in “Installation” and “Technical data”.
- ▶ The accessibility of the plug must always be ensured, in order to disconnect the tumble dryer from the mains.
- ▶ Do not block the gap between the bottom of the tumble dryer and the floor with plinth facings, deep pile carpet etc. This would hinder a sufficient flow of air to the dryer.
- ▶ Make sure the dryer door can be opened without hindrance after installation.

### Correct use

- ▶ The maximum load for this tumble dryer is 9.0 kg (dry weight). The maximum recommended loads for individual programmes are given in the Programme chart.
- ▶ To prevent the risk of fire, do not connect the tumble dryer via a controllable socket (e.g. a timer or a peak-load switch-off device). If the drying programme is interrupted before the end of the cooling down phase, this could cause the laundry to self-ignite.

## Warnings and safety instructions

---

- ▶ **Warning:** Do not switch the dryer off before the drying programme has finished. If this is done, the laundry must be hung up or spread out to cool it down.
- ▶ Fabric conditioner and similar products must be used according to the instructions on the manufacturer's packaging.
- ▶ Remove all items from pockets (e.g. lighters, matches).
- ▶ The fluff filters must be cleaned after every drying cycle.
- ▶ The fluff filters or the plinth filter must be thoroughly dried after cleaning. Wet fluff/plinth filters could cause operational faults while drying.

## Warnings and safety instructions

---

- To prevent the risk of fire, textiles that have not been cleaned thoroughly or are still soiled with deposits of any kind must not be dried in this tumble dryer. This applies in particular to textiles that
- have not been washed.
  - have not been thoroughly cleaned and are still soiled with grease, oil or other deposits (such as cooking oils, cosmetics, lotions, etc.). If items have not been thoroughly cleaned, there is a danger that they might ignite when heated, even after they have been removed from the tumble dryer at the end of the programme.
  - have been treated with inflammable cleaning agents or which contain residues of acetone, alcohol, benzene, petrol, kerosene, stain remover, turpentine, wax and wax remover or other chemicals (e.g. mops and floor cloths).
  - items that have been splashed with hair lacquer, hair spray, nail varnish remover or similar substances.

When washing such heavily soiled items:  
ensure that you use sufficient detergent and select a high temperature. If in doubt, wash the items several times.

## Warnings and safety instructions

---

- ▶ To prevent the risk of fire, these textiles must not be tumble dried:
  - textiles that have been cleaned using chemicals (e.g. professional dry-cleaning agents)
  - textiles which contain a large proportion of rubber, foam rubber or rubber-like materials. For example, products made from latex foam rubber, shower caps, waterproof textiles, rubberised articles and items of clothing and pillows with foam rubber filling.
  - textiles containing padding or fillings which are damaged (e.g. pillows, jackets). The filling could fall out and cause a risk of fire.
- ▶ The heat pump that is essential to the operation of this tumble dryer generates a great deal of heat inside its casing. There must be a reliable means of dissipating this heat. Otherwise loads could take longer to dry or the tumble dryer might sustain damage in the long term.

The following mandatory requirements must be met:

- permanent room ventilation from the beginning to the end of every drying programme
  - a gap between the floor and the bottom of the tumble dryer (this must not be blocked or obstructed in any way)
  - ▶ The tumble dryer must not be hosed down.
  - ▶ Do not let anyone sit or lean on the door, as this can cause the tumble dryer to tip up.
  - ▶ In many programmes, the heating phase is followed by a cooling down phase to ensure that the items are not too hot to handle when you remove them (this also avoids the danger of the laundry self-igniting). The programme is not finished until the cooling down phase has been completed.
- As soon as the programme has finished, remove all laundry from the drum.

## Warnings and safety instructions

---

- ▶ Always close the door after use. This way you will avoid the danger of:
  - Children climbing onto or into the dryer or hiding things in it.
  - Pets or other small animals climbing into it.
- ▶ The tumble dryer must not be used without fluff filters or
  - with damaged fluff filters, or
  - with a damaged plinth filter.

This would cause an excessive build-up of fluff which in turn would cause a fault.

- ▶ Do not install the tumble dryer in a room where there is a risk of frost occurring. At temperatures around freezing point the tumble dryer may not be able to operate properly. There is a risk of damage if the condensed water is allowed to freeze in the pump and hoses.
- ▶ If the water is drained externally through the drain hose instead of being collected in the condensed water container, make sure the drain hose is securely attached if you hang it in a sink or basin to avoid the hose slipping and the water causing damage.
- ▶ Condensed water is not drinking water. It can cause health problems in both people and animals if consumed.
- ▶ Always keep the area around the tumble dryer free of dust and fluff. Dust drawn into the tumble dryer can cause blockages in the heat exchanger over time.



### Using a fragrance flacon (optional accessory)


- ▶ Only use genuine Miele original fragrance flacons.
- ▶ The fragrance flacon must be stored in its packaging so please make sure you retain this.
- ▶ Caution. The fragrance can leak out of the flacon. Make sure that you always keep the flacon, or the fluff filter with the flacon inserted in it, in a horizontal position when carrying and do not tip or place down on any surface.
- ▶ Use an absorbent cloth to wipe up any fragrance which has leaked out of the flacon onto the floor, the dryer or any dryer components (e.g. the fluff filter) immediately.
- ▶ If fragrance which has leaked out of a flacon: comes into contact with the **skin** - wash the skin thoroughly with soap and water; comes in contact with the **eyes** - rinse the eyes with clean water for at least 15 minutes; is swallowed - rinse out the **mouth** thoroughly with clean water. Seek medical advice in the case of contact with the eyes or if fragrance has been swallowed.
- ▶ If fragrance which has leaked out of a flacon comes in contact with clothing, change the clothing immediately. Wash the clothing or any cloths used for mopping up fragrance thoroughly with plenty of water and detergent.
- ▶ There is the risk of fire or damage to the tumble dryer if the following instructions are not observed:
  - Never refill a flacon with fragrance.
  - Never use a faulty fragrance flacon.
- ▶ Dispose of an empty fragrance flacon with the household waste and never use it for any other purpose.
- ▶ Please also observe the information supplied with the fragrance flacon.

# Warnings and safety instructions

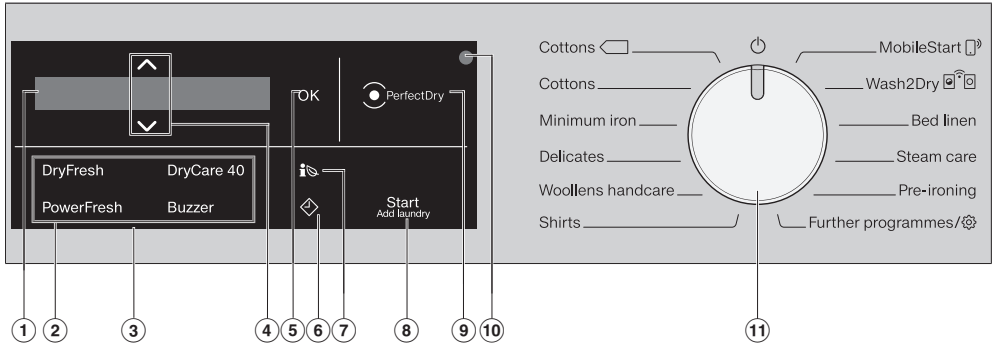
---

## Accessories

- ▶ Only use genuine Miele original spare parts and accessories with this appliance. If non-Miele parts are used, warranty, performance and product liability claims will be invalidated.
- ▶ The tumble dryer can be combined with a Miele washing machine in a washer-dryer stack. The appropriate “WTV” stacking kit (available to order) to match your tumble dryer and washing machine is required.
- ▶ If you order a plinth for this tumble dryer (available from Miele as an optional accessory - depending on country), make sure it is the correct one.
- ▶ Miele will guarantee to supply functional spare parts for a minimum of 10 years and up to 15 years following the discontinuation of your tumble dryer.

 Miele cannot be held liable for damage caused by non-compliance with these Warning and Safety instructions.

## Control panel



### ① Display

The following values are shown on the display and/or selected from it:

1. The programme names, the drying level, and the duration of the selected programme.
2. The individual values for selected extras and settings.

### ② Sensors for extra options

You can select extra options to augment drying programmes. If a drying programme has been selected, the sensor controls for the possible extra options light up dimly.

### ③ Control field

The control field consists of a display and various sensor controls. The individual sensors are explained in the following sections.

### ④ Sensor controls $\wedge \vee$

Values shown in the display can be changed with the  $\wedge \vee$  sensors. The  $\wedge$  sensor increases the value or moves up the list; the  $\vee$  sensor decreases the value or moves down the list.

### ⑤ OK sensor

The OK sensor is used for confirming selected values.

### ⑥ $\diamond$ sensors

The  $\diamond$  sensor starts the delay start function. With the delay start function, you can choose when you want the programme to start. The start of the programme can be delayed from 15 minutes up to a maximum of 24 hours. This allows you to make use of night-time economy electricity rates, for example. For further information see “4. Selecting programme settings”

### ⑦ $i$ sensor

You can use the  $i$  sensor to call up an energy consumption forecast for the selected drying programme. See “Washing environmentally and economically”, section “EcoFeedback” for more information.

# Operating the tumble dryer

---

## ⑧ Start/Add laundry sensor control

Touching the *Start/Add laundry* sensor control starts a programme. The current programme can be interrupted to add laundry. The programme can be started when the sensor control is flashing on and off. The sensor control lights up constantly once the programme has started.

## ⑨ PerfectDry indicator

The *PerfectDry* indicator flashes after the programme has started and switches off when the programme running time is displayed. The *PerfectDry* system measures the residual moisture of the laundry. In programmes with selectable drying levels, *PerfectDry* dries the laundry precisely, although the result is also influenced by the calcium content of the water.


The *PerfectDry* indicator lights up towards the end of the programme once the selected drying level has been reached.




Nothing is indicated for programmes that do not have a selectable drying level.

## ⑩ Optical interface

This is used by the Service department as a transmission point.

## ⑪ Programme selector

For selecting programmes and for switching the appliance off. The tumble dryer is switched on by selecting a programme and switched off by turning the programme selector to the  position.

*MobileStart*  and *Wash2Dry*  offer alternative methods of selecting programmes if the tumble dryer is connected to the WiFi network. Under *Further programmes*/ you will find:

- More programmes
- The option to change *Settings*

# Operating the tumble dryer

## Display

The basic display shows the following for a drying level programme:




- The selected drying level and the expected programme duration.
- The drying level reached after the start of the programme and the remaining programme duration.

The basic display shows only the programme duration for a time-controlled programme:



## Examples on how to operate the appliance

### Scrolling through a list

The  scroll bar in the display indicates that a list of choices is available.



Touching the  $\nabla$  sensor scrolls down the list to the next option and touching the  $\blacktriangle$  sensor scrolls up the list to the next option. The *OK* sensor is used to activate the option shown in the display.

## Identifying the selected option



An activated option in a list will have a tick  $\checkmark$  next to it.

## Setting numerical values



The numerical value is highlighted in white. Touching the  $\nabla$  sensor decreases the value. Touching the  $\blacktriangle$  sensor increases the value. The *OK* sensor is used to activate the value shown in the display.

## Leaving a submenu

Select Back  to exit a submenu.

# Before using for the first time

---

## Installation

Before using the appliance for the first time, check that you have followed all the instructions under “Installation”.

Read these operating instructions, paying particular attention to the information provided under “Installation”.


### Removing the protective foil and stickers

#### ■ Remove:

- Any protective film from the door
- Any stickers from the front and the lid

Please do not remove any labels (e.g. the data plate) which are visible when you open the door.

### Downtime after installation

 Damage to the tumble dryer by switching it on too soon. This can damage the heat pump. After setting up the tumble dryer wait for at least one hour before switching it on.

## Information about networking

### Miele@home

Your tumble dryer is equipped with an integrated WiFi module.

In order to use it you need:

- a WiFi network
- the Miele app
- a Miele user account. The user account can be created via the Miele app.

The Miele app will guide you as you connect your tumble dryer to your home WiFi network.

Once your tumble dryer is connected to your WiFi network you can use the app, for example, to carry the following activities:

- Controlling your tumble dryer remotely
- Calling up information on the operating status of your tumble dryer
- Calling up information on the programme sequence of your tumble dryer

Connecting your tumble dryer to your WiFi network will increase energy consumption, even when the tumble dryer is switched off.

Before installing the tumble dryer in its final location, ensure the signal strength is sufficient for your WiFi network.

# Before using for the first time

## Availability of the WiFi connection

The WiFi connection shares a frequency range with other appliances (including microwave ovens and remote control toys). This can give rise to sporadic or even complete connection failures. Therefore, the availability of featured functions cannot be guaranteed.

## Miele@home availability

The ability to use the Miele app depends on the availability of the Miele@home service in your country.

The Miele@home service is not available in every country.

For information about availability, please visit [www.miele.com](http://www.miele.com).

## Miele App

The Miele App is available to download free of charge from the Apple App Store<sup>®</sup> or from the Google Play Store<sup>™</sup>.



## Wash2Dry

Once the programme has come to a proper end, the Miele washing machine transfers the programme data via the router to which the networked tumble dryer is also connected, as well as transferring it to the Miele Cloud.

The tumble dryer automatically sets a drying programme tailored to the laundry based on the transferred programme data.

All you need to do is start the drying programme once you have loaded the tumble dryer. No further programme settings are required on the tumble dryer.

**Tip:** The drying programme must be started within 24 hours of the end of the wash programme. The data will be kept available for the tumble dryer during this period, but will be overwritten when a new wash programme ends.

**Tip:** Do not disconnect the tumble dryer from the network. The programme data transferred by the washing machine will be received by the tumble dryer as soon as you select *Wash2Dry*. If you have disconnected the appliance from the network beforehand, this will cause a delay in receiving the data.

In order to use the *Wash2Dry* function, the Miele washing machine and tumble dryer must be networked using Miele@home services.

**Tip:** Set up Miele@home as described in these operating instructions.

## Before using for the first time

### Switching on the tumble dryer

- Turn the programme selector to the *Cottons* programme.

The welcome tone will sound and the welcome screen will light up.

### Setting the language

You will be asked to select the language you require for the display. It is possible to change the language at any time by setting the programme selector to the *Further programmes*/⚙️ position in the Settings ⚙️ sub-menu.



- Touch the ∨∧ sensor until the language you want appears in the display.
- Confirm your selection of the language by touching the *OK* sensor.

### Setting up Miele@home

The following message appears in the display:

ℹ Miele@home

- Touch the *OK* sensor control.



- To set up Miele@home now: Touch the *OK* sensor control.
- To postpone setup until later: Touch the ∨ sensor control until *Set up later* appears in the display and press *OK* to confirm.

The following selection options appear in the display:

1. Connect via WPS
  2. Connect via App
- Select the required connection type.

You will then be guided by the display and the Miele app.

Before installing the tumble dryer in its final location, check that the signal strength from your WiFi network is sufficient.



You will require a WPS-compatible router for the Connect via WPS connection type.

- Activate the WPS function on your router within 2 minutes.

If the connection is successful, the following will appear in the display:



- Confirm with *OK*.

### Continuing with commissioning

- Confirm with the *OK* sensor control.
- Please see “1. Notes on correct laundry care” first.
- You can then select a programme and load the tumble dryer as described in “2. Loading the tumble dryer” and “3. Selecting a programme”.

The commissioning procedure is complete once a programme lasting longer than 1 hour has been carried out in full.

# Energy saving tips

---

## Energy saving tips


This dryer with heat-pump technology is designed for energy-saving drying cycles. However, you can save a little more energy with the following measures as the drying time is not extended unnecessarily.

- Make sure your laundry is spun at the maximum spin speed before drying. The higher the spin speed, the greater the savings that can be made in energy and time during drying, e.g. approx. 20% energy can be saved if spun at 1600 rpm instead of 1000 rpm.
- Load according to the optimum amount of laundry recommended for the programme being used. This will mean that the energy consumption for the amount of laundry is at its most economical.
- Make sure that the room temperature is not too high. If there are other heat producing appliances in the room in which the dryer is located, make sure the room is well ventilated and switch the other appliances off, if possible.
- Clean the fluff filters in the door opening after every drying cycle.

Please refer to “Cleaning and care” for information on cleaning the fluff filters and the plinth filter.

- If possible, make use of time-variable, low-cost electricity tariffs. Ask your energy supplier for information. Your tumble dryer's delay start function will be useful as you can select when during the next 24 hours you want drying to start automatically.


## Feedback

You can view information about the energy consumption of your tumble dryer with the  sensor.

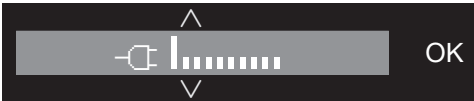
The following information will appear in the display:

- An estimate of the energy consumption before the programme begins.
- The actual energy consumption during the programme or at the end of the programme.

### 1. Viewing the estimated consumption

- After selecting a drying programme, touch the  sensor.

The estimated energy consumption level will be displayed as a bar chart.



The more bars visible (|), the higher the energy consumption.

The estimate will vary depending on the drying programme, temperature and any options selected.

- Touch the **OK** sensor or wait until the display automatically returns to the standard display.

### 2. Viewing the actual consumption

The actual energy consumption can be viewed during the programme or at the end of the programme.

- Touch the  sensor control.



If the energy consumption is too low, < 0.1 kWh will be displayed. The consumption will alter as the programme progresses.


It is also possible to view the degree of soiling of the filter as a % at the end of the programme before you open the door.

- Touch the  sensor to switch to the Filter display.

0 % = lightly soiled, 50 % = moderately soiled, 100 % = heavily soiled.

Increased soiling will cause the programme duration to increase which in turn will increase energy consumption.

If the door is opened or the appliance has switched off automatically at the end of the programme, the data will revert to the estimated consumption.


**Tip:** You can view the consumption data for the last drying programme in Settings  under Consumption.

# 1. Notes on correct laundry care

## Points to note regarding washed laundry


- When washing very heavily soiled items ensure that you use sufficient detergent and select a high temperature. If in doubt, wash the items several times.
- Do not put soaking wet items into the tumble dryer. Make sure your laundry is thoroughly spun before drying. The higher the spin speed, the greater the savings that can be made in energy and time during drying.
- New dark coloured garments should be washed and dried separately from light coloured garments to avoid the danger of colours running and discolouring other garments or even plastic components in the dryer. Dark coloured fibres can also settle on light coloured garments and vice versa.
- Starched laundry can be dried in the tumble dryer. To achieve the usual finish, double the amount of starch should be used.

## Preparing the laundry before drying

 Damage due to foreign objects which were not removed from the laundry.

Foreign objects can melt, burn, or explode.

Ensure that any foreign objects, e.g. detergent dispensing balls, lighters, etc. have been removed from the laundry.

 Risk of fire due to incorrect use and operation.

The laundry can burn and destroy the dryer and the surroundings.

See “Warning and Safety” instructions for further information.

- Sort the laundry according to the type of fibre and weave, size, garment care label symbol and the drying level required.
- Check seams and stitching to ensure that padding and linings are intact. This way you will avoid the danger of fillings coming out. These could catch fire when being dried.
- Disentangle the laundry.
- Tie together textile belts and ties.
- Fasten duvet covers and pillow cases to prevent small items from being rolled up inside them.
- Fasten hooks and eyes.
- Leave jackets open and undo any long zips so that textiles dry evenly.
- Sew in or remove underwiring from bras.
- If necessary, reduce the size of the load for these types of fabric. Easy care fabric tends to crease more, the larger the load. This is particularly the case for garments made from very fine weave fabric, such as shirts or blouses.




# 1. Notes on correct laundry care

## Drying



**Tip:** See the “Programme chart”, which contains everything you need to know about programmes and load sizes.

- Always observe the maximum recommended load size for each programme. This will mean that the energy consumption for the amount of laundry is at its most economical.
- Down-filled garments have linings which have a tendency to shrink, depending on the quality of the item. Only use the *Pre-Ironing* programme for these textiles.
- Pure linen should only be tumble dried if it is specified as suitable on the care label. The surface of the fabric may otherwise become rough. Only use the *Pre-Ironing* programme for these textiles.
- Woollens and wool blends are susceptible to becoming matted or shrinking. Only use the *Woollens handcare* programme for these textiles.
- Jersey fabrics (e.g. T-shirts, underwear) tend to shrink when they are washed for the first time. To prevent further shrinkage, avoid overdrying jersey fabrics. If possible, choose a slightly bigger size when buying garments made from jersey fabrics.
- If the fabrics are particularly heat-sensitive or susceptible to creasing, reduce the load size. Also select the *DryCare 40 extra* option.

## Care symbols

Drying	
	Temperature
	Normal or higher
	Reduced*
	Do not tumble dry

\* Recommendation: select *DryCare 40*

Ironing	
	Temperature
	••• hot, •• medium, • lower
	Do not iron

## Selecting the correct drying level

- *HygieneDry* for special hygiene requirements when drying resilient fabrics
- *Extra dry* for multi-layered and very thick fabrics
- *Normal +* for all fabrics that are to be put away immediately
- *Normal* for textiles that can shrink. Or for light cotton or jersey fabrics
- *Hand iron* or *Machine iron* for fabrics that are going to be pressed or ironed before they are put away

**Tip:** You can customise the drying levels (to be damper or drier) for the *Cottons*, *Minimum iron* and *Automatic* programmes. For further information, see “Settings – Drying levels”.

## 2. Load the tumble dryer

### Loading the laundry

Preventing damage to fabrics.  
Before loading the dryer, read “1. Notes on correct laundry care”.



- Open the door.
- Remove any items that have been left inside the drum.
- Unfold the laundry and load loosely into the drum.

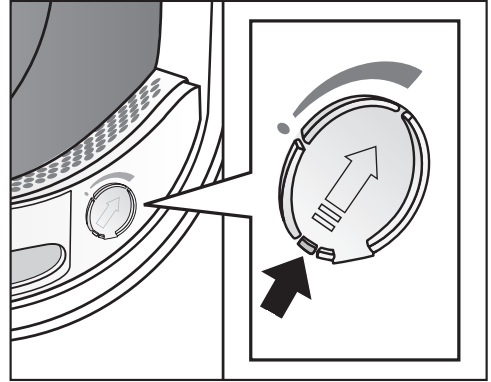
Do not overload the drum. Doing so will cause unnecessary wear and tear to the laundry and affect the drying result. It is also likely to cause more creasing.

Laundry items may be damaged if they get trapped by the door.

### Checking FragranceDos

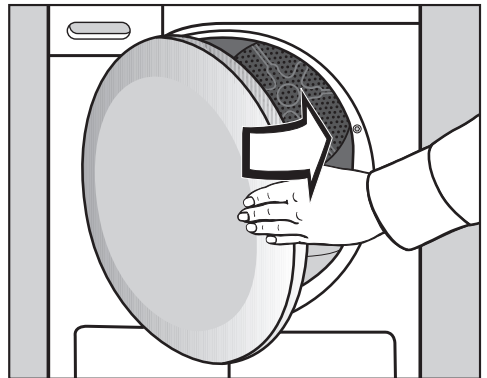
If you are not using a fragrance flacon, check that the FragranceDos sockets are closed.

The “Fragrance flacon” chapter describes how to use the fragrance flacon.



- Push the tab down completely (see arrow) so that the socket is closed. Otherwise, fluff will accumulate here.


### Close the door



- Shut the door with a gentle swing.

## 3. Selecting a programme

### Switching on the tumble dryer

The dryer is switched on by selecting a programme, and switched off by turning the programme selector to the  position.

- Turn the programme selector to a programme.

When a programme is selected, the programme name and the maximum load (weight of dry laundry) possible for the programme will appear in the display for a few seconds.

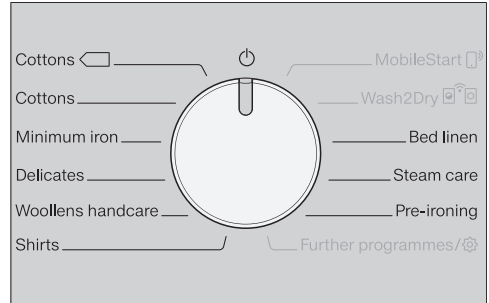
**Tip:** The condensed water can be recycled when certain programmes are used.

See “Condensed water container – Filling the condensed water container”. To find out when the condensed water can be used as part of certain programmes, see the “Programme chart” and “Extras”.

### Selecting a programme

There are 4 possible ways to select a programme.

#### 1. Selecting standard programmes



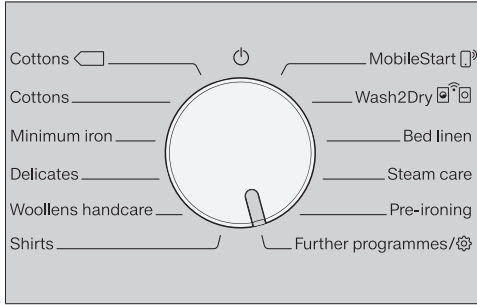
- Turn the programme selector to the required programme.

The selected programme will be shown in the display. The standard display will then reappear.

- Now select the programme settings and extra options.

# 3. Selecting a programme

## 2. Selecting further programmes/⚙️



- Turn the programme selector to *Further programmes/⚙️*.

You can select the programme you want via the display.

- Touch the  $\wedge \vee$  sensor controls until the programme you want appears in the display.



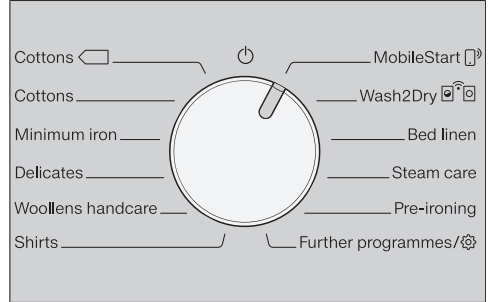
- Confirm the programme with the *OK* sensor control.

The selected programme will be shown in the display. The standard display will then reappear.

**Tip:** If you change your mind and want to select a different programme, briefly turn the programme selector one way and then the other to cancel the selected programme.

## 3. Selecting MobileStart 📱

**Tip:** In this case, the appliance is operated via the Miele app. In order to use MobileStart 📱, the tumble dryer must be logged on to the WiFi network and Remote control must be switched on.



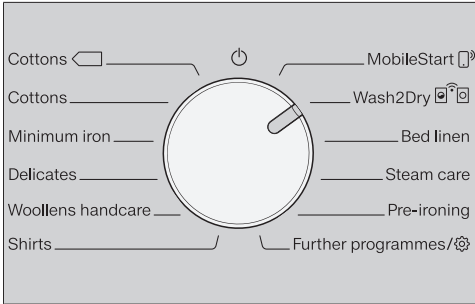
- Turn the programme selector to *MobileStart 📱*.
- Follow the instructions in the display.
- After loading the drum, touch the *Start/Add laundry* sensor control.

The tumble dryer can now be operated via a mobile device together with the Miele app.




## 3. Selecting a programme

### 4. Selecting Wash2Dry



- Turn the programme selector to *Wash2Dry*  .

 Please wait lights up in the display of the tumble dryer while the wash programme is running.

Once the washing machine programme has come to a proper end\*, the drying programme tailored to the laundry will be displayed.

\* The wash programme has been completed from start to finish.

- Once the wash cycle has ended, place the clean laundry in the tumble dryer.
- To start the programme, all you need to do is press the *Start/Add laundry* sensor control on the tumble dryer.

Programme selection will not be available on this tumble dryer after washing delicate textiles (e.g. curtains) in special wash programmes.

## 4. Selecting programme settings


### Selecting the drying level

Check the “Programme chart” to see which programme you can select a drying level for and which drying level meets your requirements.



- Touch the  $\wedge$  or  $\vee$  sensors to select a drying level.

### HygieneDry drying level

**Tip:** The *HygieneDry* drying level can be selected for some programmes. Specific hygiene requirements for robust garments with the  care symbol are met.

*HygieneDry* dries items at a temperature that is constant over an extended period of time (extended temperature holding time). This kills off micro-organisms (such as germs or dust mites) and reduces allergens in the laundry.

**Tip:** Reduce the load size for the corresponding programme to half the maximum load size specified in these operating instructions.

### Temperature holding time

- An estimated programme running time is displayed at the start of a programme for which the *HygieneDry* drying level has been selected.
- The programme completes the normal drying process for laundry care first. The finish time counts down to 0 minutes. Then the temperature holding time starts.

- At the start of the temperature holding time, the remaining programme running time is extended by 85 minutes to produce a hygienic drying result.

A programme for which the *HygieneDry* drying level has been selected should not be interrupted, as this would prevent the micro-organisms from being killed off.

Do not cancel the drying programme.

## 4. Selecting programme settings

---

### Selecting the running time for time programmes

The programme running time can be selected in 10-minute increments.

Programmes:

*Cool air:* 20 min – 1:00 h

*Warm air:* 20 min – 2:00 h

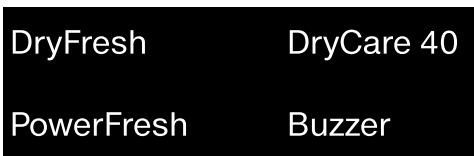
*Basket programme:* 40 min – 2:30 h



- To select the running time, touch the ^ or v sensor controls.

### Selecting Extras

See “Extras” to find out which programmes allow you to select an extra option and which extra option is appropriate for your needs.



- Touch the sensor control for the extra option you want.

The relevant sensor control will light up brightly.

## 4. Selecting programme settings

### ◆ Delay start/SmartStart

#### Delay start

With the delay start function, you can choose when you want the programme to start.

This function is active when the SmartGrid is switched off.

The hours can be set from 00 to 24.  
The minutes can be set in 15 minute increments from 00 to 45.

#### Setting the delay start time

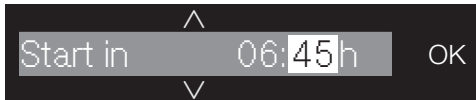
- Touch the ◆ sensor.

The following will appear in the display:



- Set the hours with the v/^ sensors. Confirm with the OK sensor.

The display will change:



- Set the minutes with the v/^ sensors. Confirm with the OK sensor.

**Tip:** The values will count upwards and downwards automatically if you keep your finger on the v or ^ sensor control.

#### Altering Delay start

The selected delay start time can be changed before the programme start.

- Touch the ◆ sensor.
- Change the specified time and confirm with the OK sensor.

#### Cancelling delay start

The selected delay start time can be cancelled before the programme starts.

- Touch the ◆ sensor.

The selected delay start time will appear in the display.

- Set a time value of 0:00 h with the v/^ sensors. Confirm with the OK sensor.

The selected delay start time has been cancelled.

After the programme has started, the selected delay start time can only be changed or cancelled by interrupting the programme.

#### Starting Delay start

- Touch the *Start/Add laundry* sensor control to start the Delay start function.

#### Adding laundry during ongoing delay start period

- Follow the description in “Changing the programme sequence – Adding or removing laundry”.

## 4. Selecting programme settings


### SmartStart

The SmartStart function lets you define a time period during which your tumble dryer will start automatically. The appliance will start on receipt of a signal, e.g. from your energy supplier, that indicates that the electricity tariff is particularly economical.

This function is active when the SmartGrid setting is switched on.

The timeframe can be defined between 15 minutes and 24 hours. During this period, the tumble dryer waits for the signal from the energy supplier. If no signal is sent during the defined period, the tumble dryer starts the drying programme.

### Setting the time period

If you have activated the SmartGrid function in Settings, touch the  sensor control to set the time period when your tumble dryer should be started automatically (see “Settings – SmartGrid”).

The procedure for setting this is the same as for setting the delay start time.

- Use the  $\nabla/\wedge$  sensor controls to enter the hour and confirm your entry with the *OK* sensor control.

The hour will be saved and the minute number block will be highlighted.

- Use the  $\nabla/\wedge$  sensor controls to enter the minutes and confirm your entry with the *OK* sensor control.
- Press the *Start/Add laundry* sensor control to start the drying programme with SmartStart.

The following will appear in the display:



## 5. Starting a programme

---

### Starting the programme

- Touch the flashing *Start/Add laundry* sensor control.

The *Start/Add laundry* sensor control will light up and *Drying* appears in the display.

#### Notes

If a delay start time has been selected, then this will count down in the time display. At the end of the delay start time or immediately after the programme has started the programme duration will appear in the time display.

With a longer delay start time, the drum will rotate occasionally to untangle the laundry. This is not a fault.

- The *PerfectDry* indicator will only flash/light up for programmes with selectable drying levels (see also “Operating the tumble dryer”).
- The tumble dryer measures the residual moisture of the laundry and calculates the required programme running time accordingly.  
If you barely place anything inside the tumble dryer or load it with dry laundry, this will be sensed by the empty drum detection feature. The automatic load recognition function will restrict the running time of the selected programme once it has started. The fabrics will be gently dried or aired. In this case, the *PerfectDry* indicator does not light up at the end of the programme.

To prevent laundry wearing out avoid overdrying it.

The drying level reached for the selected drying level programme will light up in the display.

You can view the selected drying level or time again:

- Touch the  $\wedge$  or  $\vee$  sensor.
  - Before the programme finishes, the laundry is cooled.

#### Energy savings

After 10 minutes, the indicators dim. The *Start/Add laundry* sensor control flashes slowly.

- Touch the *Start/Add laundry* sensor control to switch the indicators on again (this does not have any effect on a running programme).

The drum lighting switches off once the programme has started.

#### **Adding laundry**

You can add laundry items after the programme has started.

- Follow the description in “Changing the programme sequence – Adding or removing laundry”.

## 6. End of programme - unload the drum

### End of programme

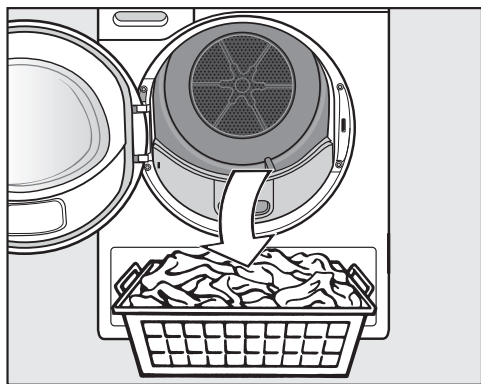
The programme is finished when *Finish/* *Anti-crease* or *Finished* appears in the display. The *Start/Add laundry* control light goes out.

The tumble dryer will switch off automatically 15 minutes after the end of the *Anti-crease* phase (with programmes without an *Anti-crease* phase it will switch off 15 minutes after the end of the programme).

### Unloading the drum

Only open the door when the drying process has finished. Otherwise, the laundry will not be properly dried through and cooled down.


- Reach under the door grip and pull the door open.




- Remove the laundry.

Items left in the dryer could be damaged by overdrying when the dryer is used the next time.

Always remove all items from the drum.

- Turn the programme selector to the  position.
- Remove the fluff from the 2 fluff filters in the door opening; see “Cleaning and care - Fluff filters”.
- Shut the door with a gentle swing.
- Empty the condensed water container.

We recommend that you drain the condensed water externally through the drain hose when drying a full load using the *Cottons* and *Cottons*  programmes. This will avoid having to empty the condensed water container during the programme.

### Drum lighting





When you open the door of the tumble dryer, the drum is illuminated along with the area immediately in front of the dryer. This prevents you from accidentally leaving behind any items in the drum or in your laundry basket. The drum lighting will go out automatically to save energy.

## Programme chart

---

All weights marked with \* are based on the weight of dry laundry.

### Programmes on the control panel



Cottons 		max. 9 kg*
Use for	Cotton items such as those described under <i>Cottons Normal</i> with normal residual moisture.	
Note	<ul style="list-style-type: none"><li>- Items are dried to a <i>Normal</i> level only in this programme.</li><li>- The <i>Cottons</i>  programme is the most energy-efficient for drying cotton items with normal residual moisture levels.</li></ul>	
Note for test institutes	<ul style="list-style-type: none"><li>- The <i>Cottons</i>  programme is the test programme in accordance with Regulation 392/2012/EU for energy labelling, measured in accordance with EN 61121.</li><li>- With the <i>Cottons</i> and <i>Cottons</i>  programme settings, drain the condensed water externally through the drain hose.</li></ul>	



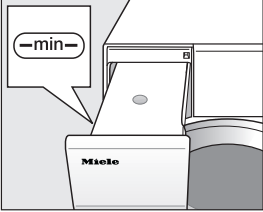
# Programme chart

<b>Cottons</b>		<b>max. 9 kg*</b>
<b>HygieneDry</b>		
Use for	<ul style="list-style-type: none"> <li>- Cottons and linen fabric which will be in direct contact with the skin, e.g. underwear, baby clothes, bed linen, towelling.</li> <li>- Other hard-wearing fabrics with special hygiene requirements.</li> </ul>	
Tip	<ul style="list-style-type: none"> <li>- Use for special hygiene requirements.</li> <li>- Reduce to half the maximum load amount.</li> </ul>	
<b>Extra dry, Normal +, Normal</b>		
Use for	Single and multi-layered cotton items. For example, T-shirts, underwear, baby clothes, workwear, jackets, covers, aprons, overalls, hand towels, bath towels, bathrobes and flannelette/bed linen.	
Tip	<ul style="list-style-type: none"> <li>- Select <i>Extra dry</i> for multi-layered and very thick fabrics.</li> <li>- Do not use <i>Extra dry</i> for jersey fabrics (e.g. T-shirts, underwear, baby clothes) because they can shrink.</li> </ul>	
<b>Hand iron <math>\Delta</math>, Hand iron <math>\Delta\Delta</math>, Machine iron</b>		
Use for	All cotton or linen fabrics requiring further processing. For example, table linen, bed linen or starched laundry.	
Tip	To prevent laundry from drying out, it should be rolled up until you are ready for ironing.	
<b>Minimum iron</b>		<b>max. 4 kg*</b>
<b>HygieneDry, Normal +, Normal, Hand iron <math>\Delta</math>, Hand iron <math>\Delta\Delta</math></b>		
Use for	Minimum iron fabrics made of synthetic, cotton or mixed fibre. For example, workwear, overalls, pullovers, dresses, trousers and table linen.	
Tip	<ul style="list-style-type: none"> <li>- Use <i>HygieneDry</i> for hard-wearing fabrics with special hygiene requirements.</li> <li>- Reduce to half the maximum load amount.</li> </ul>	

# Programme chart

<b>Delicates</b>		<b>max. 2.5 kg*</b>
<b>Normal, Hand iron <math>\Delta</math>, Hand iron <math>\Delta\Delta</math></b>		
Use for	Delicate fabrics with the  symbol on the care label made of synthetic fibre, mixed fibre, rayon and easy care cotton. For example, shirts, blouses, lingerie and appliquéd fabrics.	
Tip	The load should be reduced further for a particularly crease-free drying process.	
<b>Woollens handcare</b>		<b>max. 2 kg*</b>
Use for	Woollen garments and fabric containing wool blends, e.g. pullovers, cardigans, tights.	
Note	<ul style="list-style-type: none"> <li>- Wool and wool blend items are only fluffed up; they are not dried completely.</li> <li>- Remove the garments as soon as the programme has finished.</li> </ul>	
<b>Shirts</b>		<b>max. 2 kg*</b>
<b>Normal +, Normal, Hand iron <math>\Delta</math>, Hand iron <math>\Delta\Delta</math></b>		
Use for	Shirts and blouses	
<b>MobileStart </b>		
The Miele app is used for selecting programmes and operating the appliance.		
<b>Wash2Dry</b>		
The programme is selected automatically in conjunction with the programme selection on the connected washing machine.		
<b>Bed linen</b>		<b>max. 4 kg*</b>
<b>HygieneDry, Extra dry, Normal +, Normal, Hand iron <math>\Delta</math>, Hand iron <math>\Delta\Delta</math>, Machine iron</b>		
Use for	Bed linen, pillowcases	
Tip	<ul style="list-style-type: none"> <li>- Use <i>HygieneDry</i> for hard-wearing fabrics with special hygiene requirements.</li> <li>- Reduce to half the maximum load amount.</li> </ul>	

# Programme chart

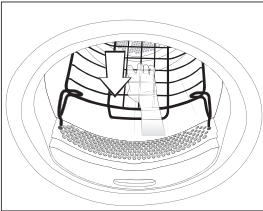
<b>Steam care</b>		<b>max. 1 kg*</b>
<b>Normal, Hand iron <math>\delta</math></b>		
Use for	<ul style="list-style-type: none"> <li>- All items made of cotton or linen</li> <li>- For minimum iron items made of cotton, mixed or synthetic fibre. For example, cotton trousers, anoraks and shirts.</li> </ul>	
Tip	<ul style="list-style-type: none"> <li>- For dampening fabrics before ironing</li> <li>- For smoothing fabrics that are creased</li> <li>- Select <i>Hand iron</i> if the items are to be ironed after drying.</li> <li>- This programme is also used to freshen up fabrics. To enhance the effect, you can use the DryFresh fragrance flacon (optional accessory).</li> </ul>	
Note	 <ul style="list-style-type: none"> <li>- At the beginning of the programme, the condensed water collected in the condensed water container is sprayed into the drum via a spray jet. The condensed water container must therefore be filled with water to at least the —min— mark.</li> <li>- You may just be able to hear the water as it is being sprayed into the drum.</li> </ul>	
<b>Pre-ironing</b>		<b>max. 1 kg*</b>
<b>Normal, Hand iron <math>\delta\delta</math></b>		
Use for	<ul style="list-style-type: none"> <li>- Cotton and linen fabrics.</li> <li>- For minimum iron items made of cotton, mixed or synthetic fibre. For example, cotton trousers, anoraks and shirts.</li> </ul>	
Tip	<ul style="list-style-type: none"> <li>- This programme smoothes out creasing caused during the spin cycle in the washing machine.</li> <li>- This programme is also suitable for dry fabrics.</li> <li>- Please remove the garments as soon as the programme has finished.</li> </ul>	

# Programme chart

## Further programmes

<b>Warm air</b>		<b>max. 9 kg*</b>
Use for	<ul style="list-style-type: none"> <li>- Multi-layered fabrics whose layers have different drying characteristics, e.g. jackets, pillows, sleeping bags and other bulky items.</li> <li>- For drying individual items, e.g. bath towels, bathing costumes and tea towels.</li> </ul>	
Tip	Do not select the longest drying time to start with. Check the items as you are drying them to find the optimum time.	
<b>Outerwear</b>		<b>max. 2.5 kg*</b>
<b>Normal, Hand iron <math>\delta</math></b>		
Use for	Outerwear which is suitable for tumble drying.	
<b>Proofing</b>		<b>max. 2.5 kg*</b>
Use for	Fabrics suitable for tumble drying, e.g. microfibre fabrics; skiwear; outdoor clothing; fine, close-weave cotton garments (poplin); and tablecloths.	
Note	<ul style="list-style-type: none"> <li>- With this programme, items can only be dried to the <i>Normal</i> level.</li> <li>- This programme includes an additional proofing fixing phase.</li> <li>- Only use proofing agents which are stated by the manufacturer as being “suitable for use on membrane fabrics”. These agents contain fluorochemical compounds.</li> <li>- Do not dry fabrics which have been treated with proofing agents containing paraffin. This poses a fire hazard.</li> </ul>	
<b>Express</b>		<b>max. 4 kg*</b>
<b>Extra dry, Normal +, Normal, Hand iron <math>\delta</math>, Hand iron <math>\delta\delta</math>, Machine iron</b>		
Use for	Fabrics with the ☺ symbol that are suitable for the <i>Cottons</i> programme.	
Note	The programme running time is shorter.	
<b>Sportswear</b>		<b>max. 3 kg*</b>
<b>Normal +, Normal, Hand iron <math>\delta</math>, Hand iron <math>\delta\delta</math></b>		
Use for	Sportswear which is suitable for drying in a tumble dryer.	

# Programme chart

<b>Automatic plus</b>		<b>max. 5 kg*</b>
<b>Normal +, Normal, Hand iron Δ, Hand iron ΔΔ</b>		
Use for	Mixed loads of garments suitable for the <i>Cottons</i> and <i>Minimum iron</i> programmes.	
<b>Pillows</b>	1-2 pillows 40 x 80 cm or 1 pillow 80 x 80 cm	
<b>HygieneDry, Normal</b>		
Use for	Pillows suitable for drying in a tumble dryer, with feather, down or synthetic fillings.	
Tip	Use <i>HygieneDry</i> for hard-wearing items with special hygiene requirements.	
Note	<ul style="list-style-type: none"> <li>- Feathers have a tendency of developing a strong odour when they are warm. Allow bedding to air outside the tumble dryer after tumble drying.</li> <li>- Pillows can still feel damp after being dried. You can use this programme several times until the pillow feels dry.</li> </ul>	
<b>Basket programme</b>		<b>Max. load for basket 3.5 kg</b>
Note	<ul style="list-style-type: none"> <li>- This programme may only be used with the Miele tumble dryer basket TRK 555 (optional accessory) fitted.</li> <li>- Always follow the operating instructions for the tumble dryer basket.</li> <li>- Make sure that no sleeves, straps, belt straps and boot legs (for example) come into contact with the tumble dryer drum or drum ribs. When the drum rotates, the laundry can become knotted, causing damage to the dryer basket and tumble dryer.</li> </ul>	
		
Fabrics/ items	Use this programme to dry or air items which are suitable for drying in a tumble dryer but which are not suitable for drying using mechanical action.	

# Programme chart

<b>Silks handcare</b>		<b>max. 1 kg*</b>
Use for	Silk garments which are suitable for drying in the tumble dryer, e.g. blouses and shirts	
Note	<ul style="list-style-type: none"> <li>- This programme reduces creasing. Items are not dried completely by this programme.</li> <li>- Remove the garments as soon as the programme has finished.</li> </ul>	
<b>Denim</b>		<b>max. 3 kg*</b>
<b>Normal +, Normal, Hand iron Δ, Hand iron ΔΔ</b>		
Use for	All denim garments, e.g. jackets, jeans, shirts and skirts.	
<b>Cool air</b>		<b>max. 9 kg*</b>
Use for	Any item which only needs airing.	

The drying programmes can be augmented with various extra options.

Certain combinations of extra options are not possible.

DryFresh                      DryCare 40

PowerFresh                  Buzzer

## DryFresh

The *Normal* drying level can be used to freshen up clothing that is clean and dry without wetting it.

The function is slightly less effective when used with fabrics made of synthetic fibres.

**Tip:** To enhance the effect, you can also use the *DryFresh* fragrance flacon (optional accessory). and reduce the size of the load.

*DryFresh* is not available for all drying levels.

## DryCare 40

This option dries fabrics gently at very low temperature.

It can be used for all fabrics that are free of wool and are washable at temperatures of 40 °C and above.

For the best possible drying result: Reduce the load size for the corresponding programme to half the maximum load size specified in these operating instructions.  
 Exceptions: you must reduce programmes with a maximum load size of 9 kg to 4 kg.

*DryCare 40* is not available for all drying levels.

## Extras

### PowerFresh

This option can be used to freshen up clothing that is clean and dry by using steam.

The fabrics are moistened automatically. As the item is dried, the heat from the generated water vapour is transferred to the item strategically so that odour molecules in the fabric can be freed more easily.

The function is slightly less effective when used with fabrics made of synthetic fibres.

Reduce the size of the load to 1 kg.

*PowerFresh* is not available for all drying levels.

**Tip:** To enhance the effect even further, you can also use the *DryFresh* fragrance flacon (optional accessory).

Condensed water from the condensed water container is sprayed into the drum. The condensed water container must therefore be filled to at least the —min— mark.



- Fill the condensed water container.


See “Condensed water container – Filling the condensed water container”.

### Buzzer

A buzzer sounds to let you know the programme has finished. The buzzer will always sound when there is a fault, even if it has been switched off.



## Drying programme overview - Extras

	DryFresh	DryCare 40	PowerFresh	Buzzer
Cottons 	-	-	-	<b>X</b>
Cottons	<b>X</b>	<b>X</b>	<b>X</b>	<b>X</b>
Minimum iron	<b>X</b>	<b>X</b>	<b>X</b>	<b>X</b>
Delicates	-	✓	-	<b>X</b>
Woollens hand-care	-	-	-	<b>X</b>
Shirts	<b>X</b>	<b>X</b>	<b>X</b>	<b>X</b>
Bed linen	-	-	-	<b>X</b>
Steam care	-	-	-	<b>X</b>
Pre-ironing	-	✓	-	<b>X</b>
Warm air	-	<b>X</b>	-	<b>X</b>
Outerwear	-	✓	-	<b>X</b>
Proofing	-	-	-	<b>X</b>
Express	-	-	-	<b>X</b>
Sportswear	-	<b>X</b>	-	<b>X</b>
Automatic plus	<b>X</b>	<b>X</b>	<b>X</b>	<b>X</b>
Standard pillows	-	-	-	<b>X</b>
Basket programme	-	-	-	<b>X</b>
Silks handcare	-	✓	-	<b>X</b>
Denim	<b>X</b>	<b>X</b>	<b>X</b>	<b>X</b>
Cool air	-	-	-	<b>X</b>

- X** = Selectable
- = Not selectable
- ✓ = Activated automatically

**The extra options cannot be combined with one another. The buzzer can always be selected.**

## Changing the programme sequence


---

### Changing a programme once it has started

It is no longer possible to change the selected programme. This is to prevent the operation of the machine being tampered with.

If you adjust the programme selector, **i** Cannot be changed will light up in the display. This indicator goes out when you select the original programme.

### Cancelling the current programme

- Turn the programme selector to the  position.

The programme is cancelled.

You can now select a new programme.

### Adding or removing laundry

You have forgotten something but the programme is already running.

- Touch the *Start/Add laundry* sensor control.

The following appears in the display:

**i** Door can be opened. The *Start/Add laundry* sensor control flashes slowly.

- Open the door.
- Add or remove laundry items.

You can still change the programme selection.

- Close the door.
- Touch the *Start/Add laundry* sensor control.

The programme continues.

### Exceptions when adding laundry


In some cases, for example, during the cooling phase or the *Proofing* programme, it is not possible to add laundry items.

In exceptional cases, the door can be opened while the programme is running.


# Condensed water container

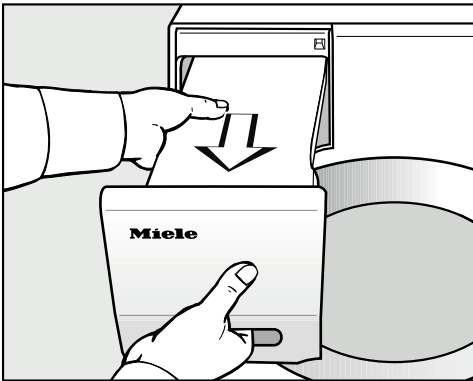
## Emptying the condensed water container

The condensed water is collected in the condensed water container. Empty the condensed water container after every drying programme.

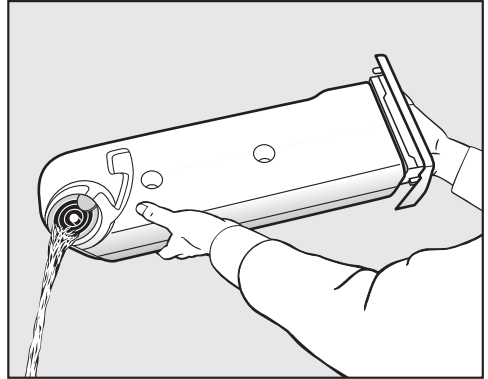
When the maximum level in the condensed water container is reached, the following message will light up in the display: Empty container. See 

- To clear the message, open and close the door with the tumble dryer switched on.

 Damage to the door and the fascia panel when removing the condensed water container. The door and the fascia panel can sustain damage. Always close the door completely.



- Remove the condensed water container.
- To prevent water from running out, keep it in a horizontal position when carrying it. Hold the condensed water container by the front panel and at the back.



- Empty the condensed water container.
- Replace the condensed water container in the dryer.

Condensed water can cause health problems in people and animals. Do not drink condensed water.

**Tip:** When certain programmes are being used, water is taken from the condensed water container and recycled. For this, the condensed water container must be filled to a certain level, see “Filling the condensed water container”.

# Condensed water container

## Filling the condensed water container

When certain programmes are being used, condensed water generated during drying is recycled and sprayed into the drum via a spray nozzle.

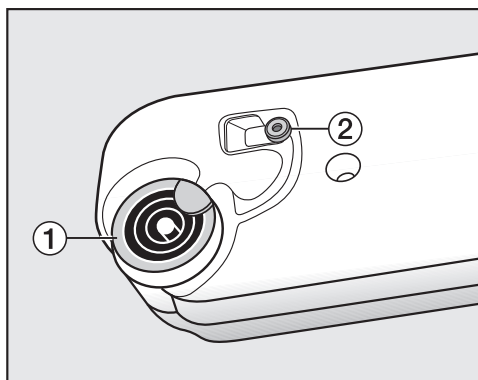
The condensed water container must therefore be filled to at least the —min— mark. Otherwise, this could cause a fault.

The —min— mark is on the front left-hand side of the container. If you have set the appliance up so that condensed water is drained away, the condensed water container will be empty.



- Check the fill level of the condensed water container.
- Only fill it with commercially available condensed water (for ironing).

You should only use mains water in exceptional circumstances. If mains water is used frequently, limescale can build up on the spray jet in the door opening.



1 spout, 2 rubber seal

- Pour the condensed water through the rings on the spout 1.

The spray jet in the door opening can suffer a blockage.

It should only be filled with clean water. The water must not contain any fragrance, detergent or other substances.

## Cleaning the rubber seal

If mains water is used frequently, limescale deposits can build up on the rubber seal 2.

- Use a damp cleaning cloth to carefully remove any limescale deposits from the rubber seal 2.

## FragranceDos

Fragrance flacons (optional accessories) can be used to give your laundry a pleasant scent.

This dryer has 2 places for inserting fragrance flacons. This gives you a choice of how to use them.

- You can use both positions if you wish to change from one scent to another. You can close the fragrance flacon that you are not using.
- Use both positions if you want a more intense scent of the same fragrance. Or if you wish to conveniently switch between a scent for normal laundry and DryFresh to freshen up your laundry.
- Use one socket only if you only want to use the one fragrance.

**⚠ Risk of fire and damage to health if fragrance flacons are used incorrectly.**

The leaked fragrance can damage your health if it comes into contact with your body. Leaked fragrance can cause fire.

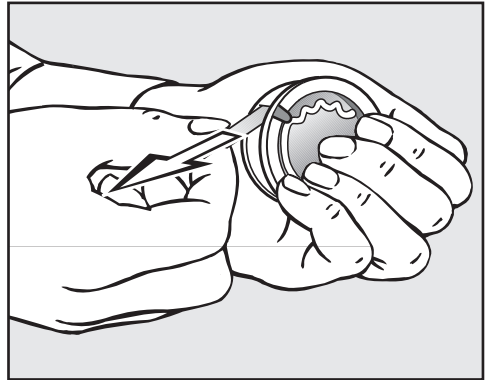
Before using a fragrance flacon, please read “Warnings and safety notes”, “Using the fragrance flacon (optional accessory)”.

## Removing the protective seal from the fragrance flacon

Only hold the fragrance flacon as illustrated. Do not hold it at an angle or tip it, as the fragrance will leak out of it.

- Take the fragrance flacon out of its packaging.

Do not attempt to open the fragrance flacon.



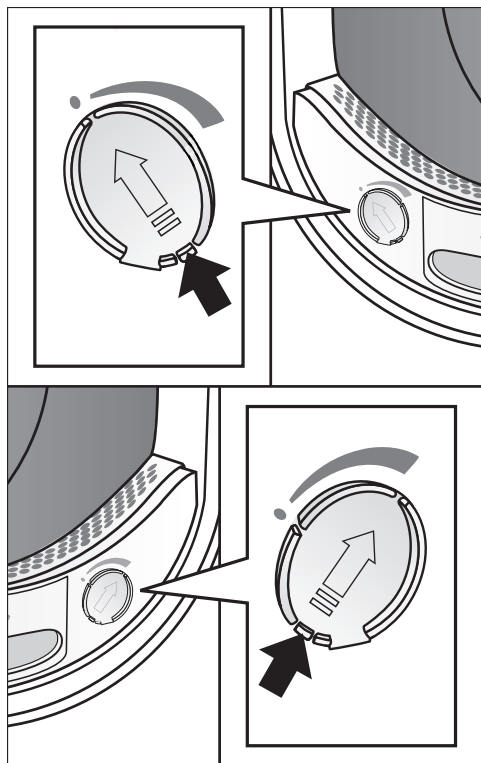
- Hold the fragrance flacon securely so that you do not open it by mistake.
- Pull off the protective seal.

## Fragrance flacon

### Inserting the fragrance flacon

- Open the door of the tumble dryer.

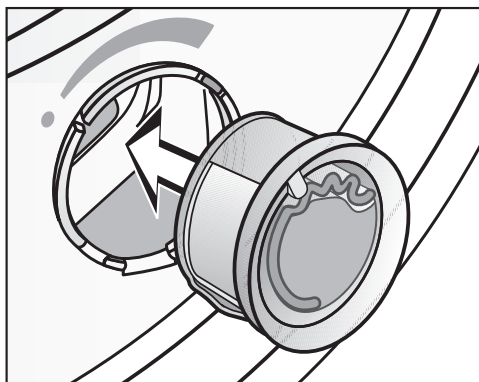
The fragrance flacon is inserted in the upper fluff filter. They can be fitted on the left and the right hand side next the opener.



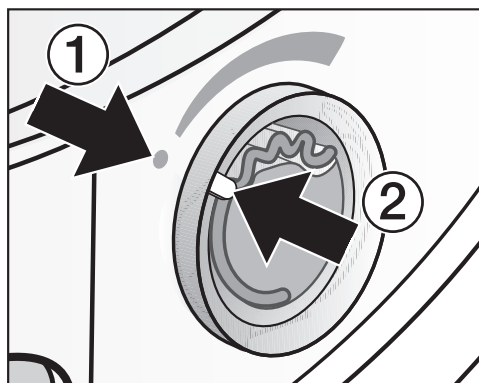
- Open the cover using the tab until the tab is right at the top as shown.

To prevent the accumulation of fluff, the cover of the unused socket must remain closed.

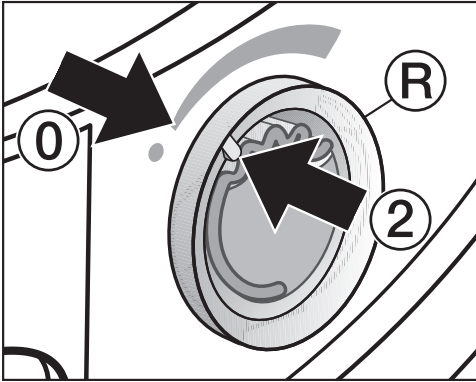
Push the tab of the cover to the bottom (see arrow), until you hear it click into position.



- Insert the fragrance flacon into the socket as far as it will go.



Markers ① and ② must line up with one another.

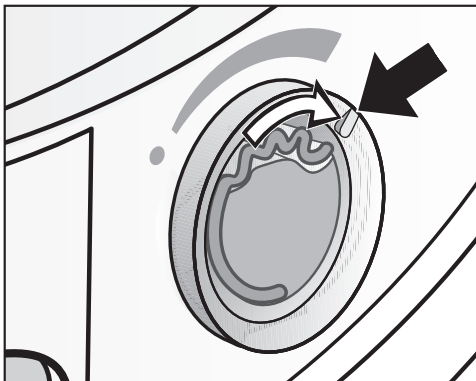


- Turn the outer ring **Ⓜ** clockwise a little.

The fragrance flacon can slip out. Turn the outer ring in such a way that markers **②** and **①** line up.

## Opening the fragrance flacon

Before drying, you can select the intensity of the fragrance.



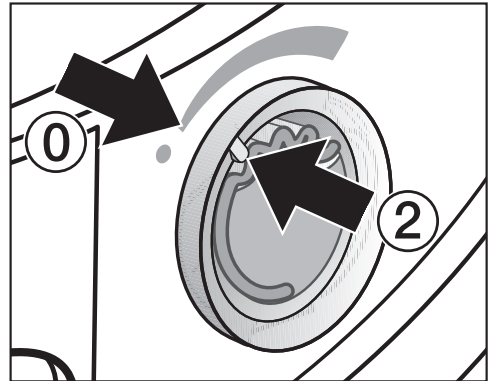
- Turn the outer ring clockwise: the further you open the fragrance flacon, the more intense the fragrance.

Damp laundry and longer drying durations with sufficient heat transfer are needed for the fragrance to be released into the laundry effectively. The fra-

grance will also be noticeable in the room air during the process. The *Cool Air* programme will not generally apply fragrance.

## Closing the fragrance flacon

After drying, the fragrance flacon should be closed to prevent the fragrance from escaping needlessly.



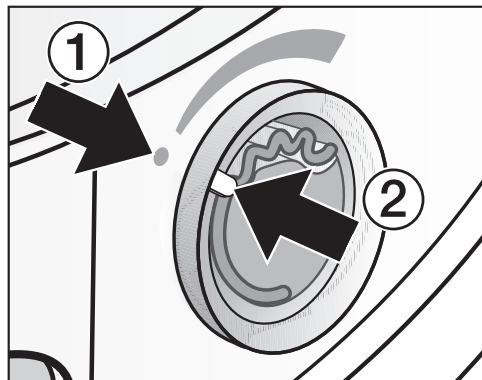
- Turn the outer ring counter-clockwise until marker **②** is in position **①**.

If you wish to dry without the fragrance occasionally: remove the fragrance flacon and store it in its original packaging.

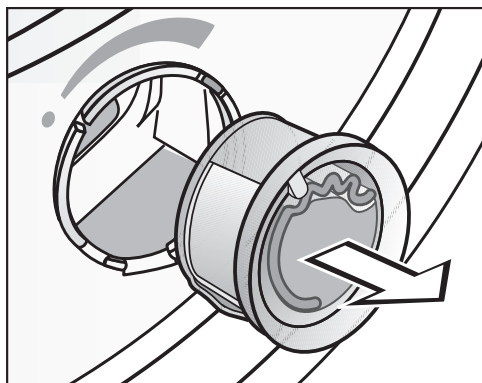
Replace the fragrance flacon with a new one when the intensity of the fragrance is no longer sufficient.

## Fragrance flacon

### Removing/replacing the fragrance flacon



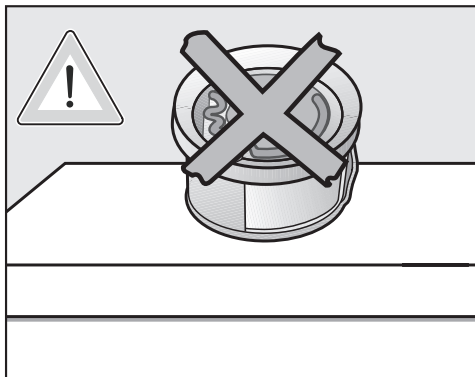
- Turn the outer ring counter-clockwise until markers ① and ② line up.



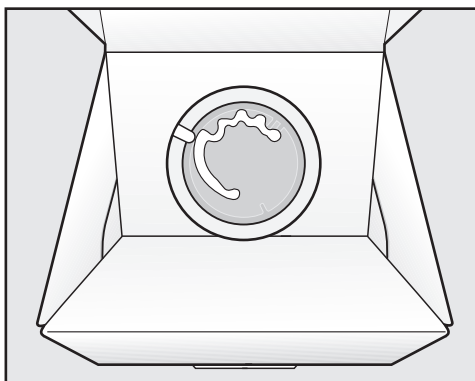
- Replace the fragrance flacon with a new one.

When not in use, you can store the fragrance flacon in its original packaging.

Fragrance flacons are available to order from Miele or online at [www.miele-shop.com](http://www.miele-shop.com).



Fragrance can leak.  
Do not lay the fragrance flacon down.



- If you are keeping the fragrance flacon in its original packaging, do not store the packaging upright on its edge or upside down. Otherwise, the fragrance will leak out.
- Always store in a cool, dry place away from direct sunlight.
- When purchasing new fragrance flacons, only remove the protective seal just before use.



## Fluff filters

This tumble dryer has 2 fluff filters in the loading area of the door. Both fluff filters trap fluff produced during the drying process.

Clean the fluff filters after each drying programme. This prevents an extension of the programme running time.

Also clean the fluff filters when the following message lights up in the display: Clean the plinth filter. See 

- To clear the message, confirm with OK.

## Removing the fragrance flacon

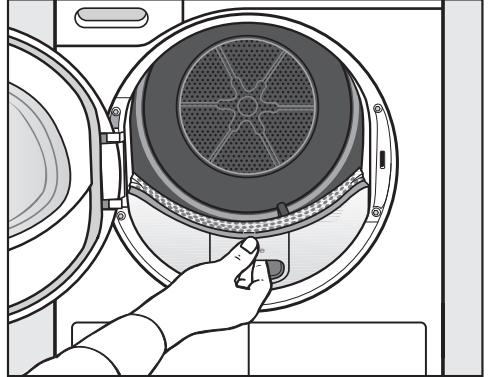
The intensity of the fragrance will be diminished if the fluff filters and the plinth filter are not cleaned.

- Remove the fragrance flacon. See “Fragrance flacon”, “Removing/replacing the fragrance flacon”.

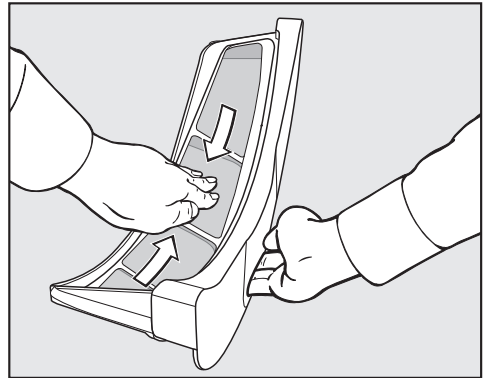
## Removing visible fluff

**Tip:** You can also use a vacuum cleaner so that you can remove the fluff without touching it.

- Open the door.

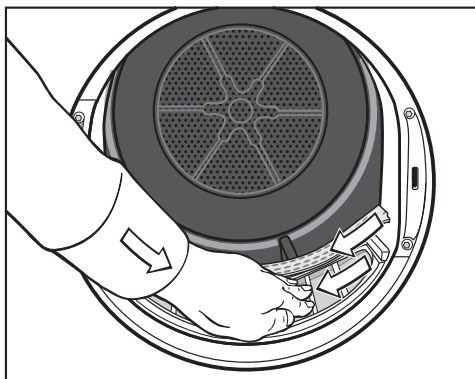


- Pull the upper fluff filter forwards to remove it.



- Remove the fluff (see arrows).

## Cleaning and care

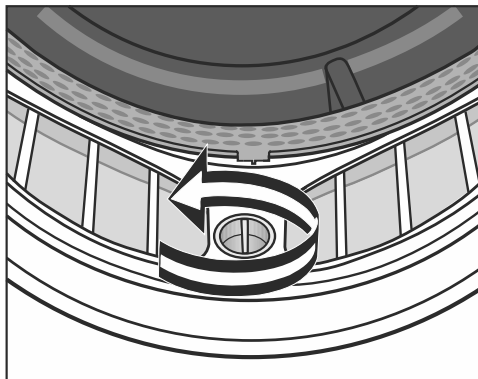


- Remove the fluff from the filter surface of all the fluff filters and the perforated laundry deflector.
- Push the upper fluff filter back into position until it clicks.
- Close the door.

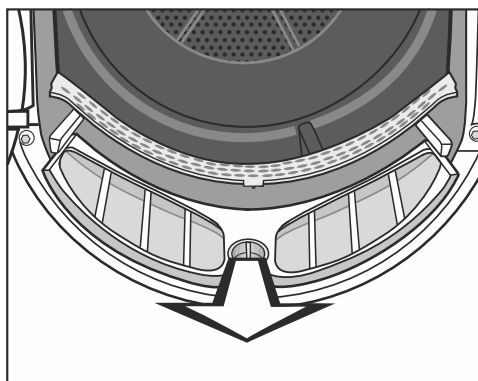
### Cleaning the fluff filters and air flow openings thoroughly

If the drying duration has become longer or the surface of the filters is visibly compacted with fluff, you should carry out the following cleaning procedure.

- Remove the fragrance flacon. See "Fragrance flacon".
- Pull the upper fluff filter forwards to remove it.



- Turn the yellow dial on the lower fluff filter in the direction of the arrow (until it reaches the stop position).



- Hold the dial and pull the fluff filter forwards to remove it.



- Use a vacuum cleaner with a long crevice nozzle attached to remove any visible fluff from the upper air flow openings.

Finally, clean the fluff filters with water.

### Cleaning the fluff filters with water

- Wipe the smooth plastic surfaces of the fluff filters with a damp cloth to clean them.
- Flush the filters through under warm running water.
- Shake the fluff filters thoroughly and then dry them carefully.

Ensure the filters are dry before replacing them. Wet filters could cause operational faults.

- Push the lower fluff filter in completely and lock it with the yellow dial.
- Push the upper fluff filter in completely.
- Close the door.

## Cleaning and care

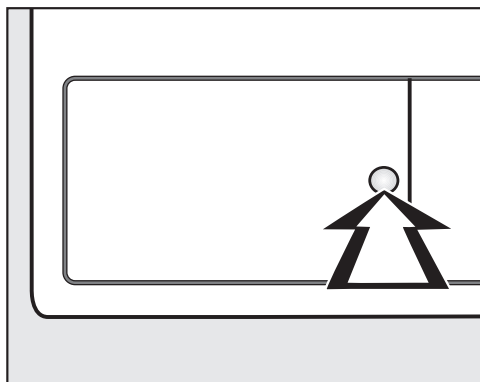
### Cleaning the plinth filter

Clean the plinth filter when the programme running time is longer than usual or if the following message lights up in the display: Clean the plinth filter.

See 

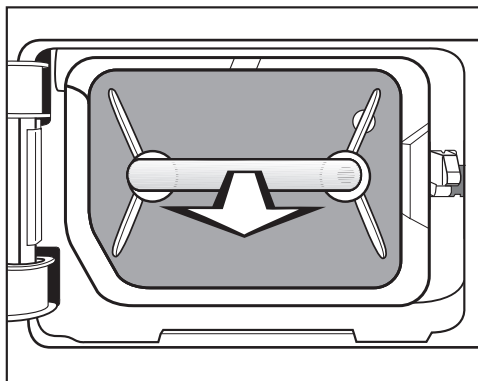
- To clear the message, confirm with OK.

### Removing the plinth filter



- Press the round, indented area on the heat exchanger access panel to open it.

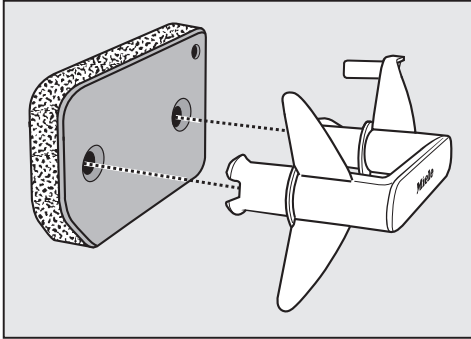
The panel will spring open.




- Pull the plinth filter out by the handle.

The right-hand guide pin comes out when the plinth filter is removed. The guide pin prevents the access panel from closing without the plinth filter.

## Cleaning the plinth filter

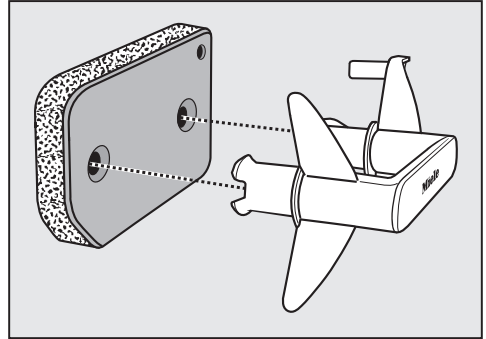


- Pull the handle out of the plinth filter.
- Clean the plinth filter thoroughly under running water.
- Squeeze the plinth filter very carefully several times as you rinse it.
- Rinse the plinth filter until all visible residues have been removed.
- Use a damp cloth to remove any fluff from the handle.

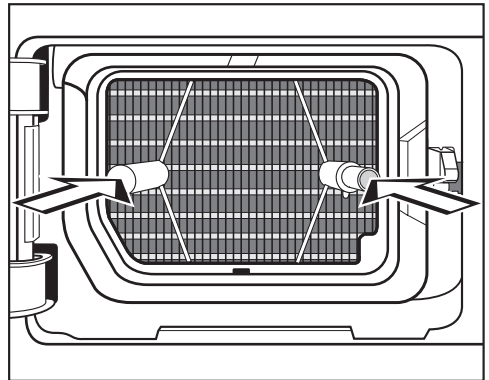
 **Damage caused by a damaged or worn plinth filter.**

The heat exchanger will clog up if the plinth filter is not in good working order. This can cause a fault.

Check the plinth filter following the instructions provided in “Problem solving guide – Replacing the plinth filter”. Replace the plinth filter if necessary.



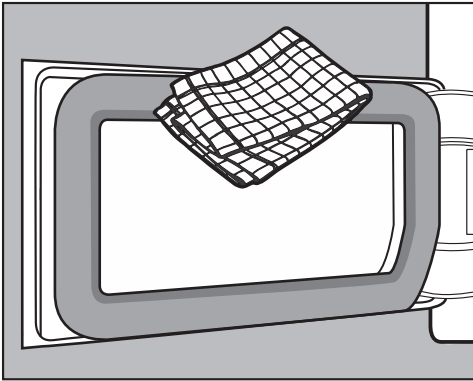
- Fit the plinth filter back on the handle. Make sure it is the correct way round.



- Push the plinth filter in completely. This will push in the right-hand guide pin at the same time.

# Cleaning and care

## Cleaning the plinth filter access panel



- Use a damp cloth to remove any fluff. Make sure that you do not damage the rubber seal when doing this.
- Close the heat exchanger access panel.

**⚠** Damage or ineffective drying if drying takes place without a plinth filter or when the heat exchanger access panel is open.

An excessive accumulation of fluff can damage the tumble dryer. If the system is not leak-tight, this can make drying ineffective.

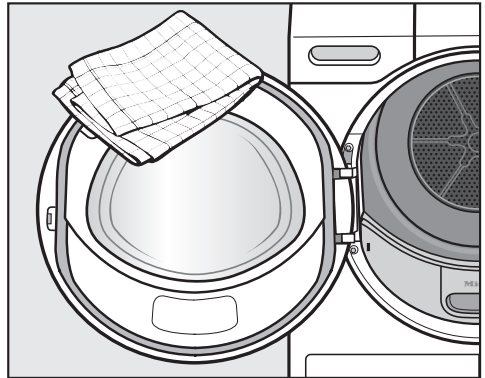
Only operate the tumble dryer with the plinth filter fitted and the heat exchanger access panel closed.

## Cleaning the dryer

Disconnect the tumble dryer from the electrical supply.

**⚠** Damage due to the use of unsuitable care products.

Unsuitable care products could damage plastic surfaces and other parts. Do not use any solvents, abrasive cleaners, glass cleaners, or all-purpose cleaners.





- Clean the tumble dryer and the seal on the inside of the door with a slightly damp soft cloth and a mild solution of washing-up liquid and water.
- Dry all parts with a soft cloth.

Many malfunctions and faults that can occur in daily operation can be easily remedied. Time and money will be saved because a service call will not be needed.










The following guide may help you to find the reason for a malfunction or a fault, and to correct it.

Some of the messages in the display are more than one line long. Touch the ∨ or ∧ sensor to read them in full.

## Fault messages shown in the display when a programme is cancelled





Message	Cause and remedy
 Clean the plinth filter. See 	<p>The system has been clogged by fluff or detergent residue.</p> <ul style="list-style-type: none"> <li>■ To clear the message, turn the programme selector to the ⏻ position.</li> <li>■ Clean the fluff filters and the plinth filter.</li> </ul> <p>Please see “Cleaning and care” for notes on cleaning.</p>
	<p>The fluff and/or plinth filters are damaged or out of shape.</p> <ul style="list-style-type: none"> <li>■ Check the fluff filters and the plinth filter. Replace them if necessary.</li> </ul>
	<p>The fluff and/or plinth filters are clogged. It is no longer possible to clean them.</p> <ul style="list-style-type: none"> <li>■ Check the fluff filters and the plinth filter. Replace them if necessary.</li> </ul>
	<p>“Problem solving guide – Replacing the plinth filter” contains information about when a plinth filter that is no longer in good working order has to be replaced.</p>

## Problem solving guide

Message	Cause and remedy
 Clean the plinth filter. See 	<p>The plinth filter looks clean after thorough cleaning. However, the programme terminates and the fault message appears again. It is likely that there is still underlying residue that could not be removed.</p> <ul style="list-style-type: none"> <li>■ To clear the message, turn the programme selector to the  position.</li> <li>■ Check for the possible causes described below.</li> </ul> <p>The heat exchanger is clogged.</p> <ul style="list-style-type: none"> <li>■ Check the heat exchanger. Follow the instructions in “Problem solving guide – Checking the heat exchanger”.</li> </ul> <p>The plinth filter is clogged further down.</p> <ul style="list-style-type: none"> <li>■ Check the plinth filter. Follow the instructions described in “Problem solving guide – Replacing the plinth filter”.</li> <li>■ If the plinth filter is not out of shape or damaged, you can reactivate it in a washing machine. Follow the instructions described in “Problem solving guide – Reactivating the plinth filter”.</li> </ul>
 Empty container. See 	<p>The condensed water container is full or there is kink in the drain hose.</p> <ul style="list-style-type: none"> <li>■ To clear the message, open and close the door with the tumble dryer switched on. Or switch the tumble dryer off and then on again.</li> <li>■ Empty the condensed water container.</li> <li>■ Check the drain hose.</li> </ul>
 Blockage detected. See 	<p>The laundry is unevenly distributed or has rolled up.</p> <ul style="list-style-type: none"> <li>■ Open the door and loosen the laundry. If necessary, take out some of the laundry.</li> <li>■ Switch the tumble dryer off and then on again.</li> <li>■ Start a programme.</li> </ul>
  Service Fault F XXX	<p>There is no obvious cause.</p> <ul style="list-style-type: none"> <li>■ Switch the tumble dryer off and then on again.</li> <li>■ Start a programme.</li> </ul> <p>If the programme is cancelled again with the same fault message, then there is a fault. Contact the Miele Customer Service Department.</p>



## Messages in the display

Message	Cause and remedy
000	<p>Access via a code has been activated.</p> <ul style="list-style-type: none"> <li>■ Enter the code and confirm the entry. Deactivate the code if you do not wish this message to appear in the display the next time the appliance is switched on.</li> </ul>
Finish/Cooling down	<p>The laundry will be cooled down at the end of the programme.</p> <ul style="list-style-type: none"> <li>■ Either remove the laundry and spread it out to cool down or leave it in the tumble dryer to cool down during the cooling phase.</li> </ul>
<p><b>i</b> Clean the plinth filter. See </p>	<p>The tumble dryer is not working correctly or economically. Possible causes could be clogging caused by fluff or detergent residue.</p> <ul style="list-style-type: none"> <li>■ To deactivate the message, confirm with OK.</li> <li>■ Please see “Cleaning and care” for notes on cleaning.</li> <li>■ Clean the fluff filters.</li> <li>■ Also check the plinth filter and clean it if necessary.</li> </ul>
	<p>You can influence when the  Clean the plinth filter. See  message lights up.</p> <ul style="list-style-type: none"> <li>■ To do this, follow the instructions in “Airways indicator – Settings”.</li> </ul>
<p><b>i</b> Fill condensate container</p>	<p>The condensed water container is empty. When certain programmes are being used, water is taken from the condensed water container and recycled.</p> <ul style="list-style-type: none"> <li>■ Fill the condensed water container to at least the —min— mark.</li> <li>■ To deactivate the message: confirm with OK.</li> </ul>
<p><b>i</b> Open &amp; close door</p>	<p>This is to remind you to load the laundry when the programme is selected.</p> <ul style="list-style-type: none"> <li>■ Load the laundry in the drum.</li> </ul>
<p> Please wait</p>	<p>The tumble dryer is expecting to receive programme data from the washing machine, (<i>Wash2Dry</i>) or <i>SmartStart</i> is activated.</p>

# Problem solving guide

---

## Unsatisfactory drying results

Problem	Cause and remedy
<b>The DryCare 40 Extra is not drying the laundry sufficiently.</b>	<p>The room where the tumble dryer is located is too warm. This has caused the DryCare process to finish prematurely.</p> <ul style="list-style-type: none"><li>■ Ventilate the room thoroughly.</li><li>■ To fully dry the laundry, select <i>Warm air</i> with the <i>DryCare 40 Extra</i>.</li></ul>
<b>The laundry is not sufficiently dry.</b>	<p>The load consisted of different types of fabric.</p> <ul style="list-style-type: none"><li>■ Finish drying using the <i>Warm air</i> programme.</li><li>■ Select a more suitable programme next time.</li></ul> <p>Tip: You can alter the residual moisture level for some programmes. See “Settings”.</p>
<b>Laundry or feather filled pillows smell after drying</b>	<p>The laundry was washed with insufficient detergent. Feathers are a natural product and this is quite normal.</p> <ul style="list-style-type: none"><li>■ Laundry: use sufficient detergent next time.</li><li>■ Pillows: take out of the tumble dryer and air them.</li><li>■ Use a fragrance flacon (available as an optional accessory) for your favourite fragrance.</li></ul>
<b>Items made of synthetic fibres are charged with static electricity after drying</b>	<p>Synthetic fibres tend to attract static charge.</p> <ul style="list-style-type: none"><li>■ Static charge can be reduced by adding a fabric conditioner to the final rinse in the washing programme.</li></ul>
<b>There is a build-up of fluff</b>	<p>Fluff is principally the result of friction when garments are being worn and to some extent when they are being washed. Machine drying hardly causes any fluff to form.</p> <p>Fluff is collected by the fluff filters and the plinth filter and can be removed easily.</p> <ul style="list-style-type: none"><li>■ See “Cleaning and care”.</li></ul>


## The drying cycle duration is very long

Problem	Cause and remedy
<p><b>The drying process goes on too long or even switches off.*</b></p>	<p>The room where the tumble dryer is located is too warm.</p> <ul style="list-style-type: none"> <li>■ Ventilate the room thoroughly.</li> </ul>
	<p>Detergent residues, hair and fine fluff can clog the filters.</p> <ul style="list-style-type: none"> <li>■ Clean the fluff filters and the plinth filter.</li> <li>■ Remove visible fluff from the heat exchanger.</li> </ul>
	<p>The laundry is unevenly distributed or has rolled up. The drum is too full.</p> <ul style="list-style-type: none"> <li>■ Disentangle the laundry and remove a few items.</li> <li>■ Start a programme.</li> </ul>
	<p>The bottom right grille is blocked.</p> <ul style="list-style-type: none"> <li>■ Move any objects, such as a laundry basket, away from the dryer.</li> </ul>
	<p>The laundry is too damp.</p> <ul style="list-style-type: none"> <li>■ Spin using a higher spin speed in the washing machine.</li> </ul>
	<p>Metallic components, e.g. zips, have prevented the tumble dryer from registering the correct laundry moisture level.</p> <ul style="list-style-type: none"> <li>■ Open any zips next time.</li> <li>■ If the problem recurs, dry these items using the <i>Warm air</i> timed drying programme.</li> </ul>

\* Switch the tumble dryer off and on again before starting a new programme.

# Problem solving guide

## General problems with the tumble dryer

Problem	Cause and remedy
<p><b>You can hear buzzing or humming operating noises.</b></p>	<p>The compressor (heat pump) is operating. Or you have selected a programme which sprays condensed water into the drum.</p> <ul style="list-style-type: none"> <li>■ No action required. These noises are quite normal and can be heard when the compressor or the condensed water pump is operating.</li> </ul> <hr/> <p>There is no fault.</p>
<p><b>A programme does not start</b></p>	<p>No obvious cause.</p> <ul style="list-style-type: none"> <li>■ Connect the tumble dryer to the mains</li> <li>■ Turn on the tumble dryer</li> <li>■ Close the door</li> <li>■ Check whether the mains fuse has tripped</li> </ul> <hr/> <p>Has there been a power cut? When power is restored any previously running programme will re-start automatically.</p>
<p><b>When the <i>DryFresh</i>, <i>PowerFresh</i> or <i>Dry-Care 40</i> extra options are selected, the drying level “jumps back” to a different one.</b></p>	<p>The drying level you selected previously cannot be combined with the extra option. The closest possible drying level is selected automatically.</p>
<p><b>The display is dark and the <i>Start/Add laundry</i> sensor control is flashing slowly.</b></p>	<p>The display has switched off automatically to save energy (Standby mode). The drum will turn at intervals when the tumble dryer is in the anti-crease phase.</p> <ul style="list-style-type: none"> <li>■ Press any control. This switches Standby off.</li> </ul>
<p><b>The dryer is switched off at the end of the programme.</b></p>	<p>The tumble dryer switches off automatically. This is not a fault, but a normal function.</p>
<p><b>The display is in a different language.</b></p>	<p>A different language has been selected in “Settings, Language  <li>■ Set the language you want. The flag symbol serves as a guide.</li> </p>

## Problem solving guide

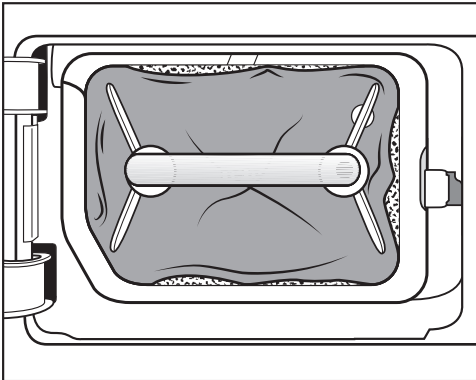
Problem	Cause and remedy
<p><b>The drum lighting does not come on.</b></p>	<p>To save energy, the drum lighting goes out automatically after a set time and after the programme starts.</p> <ul style="list-style-type: none"> <li>■ Switch the dryer off and then on again.</li> <li>■ To switch the drum lighting on, open the door of the tumble dryer.</li> </ul>
	<p>The drum lighting is faulty.</p> <p>The drum lighting is designed to last a long time and should not normally need to be replaced.</p> <ul style="list-style-type: none"> <li>■ If you have tried everything but the drum lighting still does not come on, contact the Miele Customer Service Department.</li> </ul>
<p><b>The spray jet for spraying condensed water into the drum is insufficient.</b></p>	<p>When certain programmes are being used, water is taken from the condensed water container and sprayed into the drum. The spray jet can sometimes stop working.</p>
	<p>The fluff filter in the condensed water container is clogged.</p> <ul style="list-style-type: none"> <li>■ Clean the fluff filter in the condensed water container. See “Cleaning the fluff filter in the condensed water container” in this section.</li> </ul>
	<p>There are heavy limescale deposits on the spray jet in the door opening.</p> <ul style="list-style-type: none"> <li>■ Replace the spray jet. See “Replacing the condensed water spray jet” in this section.</li> <li>■ Only use condensed water. Do not use mains water.</li> </ul> <p>The frequent use of mains water leads to limescale deposits.</p>

# Problem solving guide

## Replacing the plinth filter

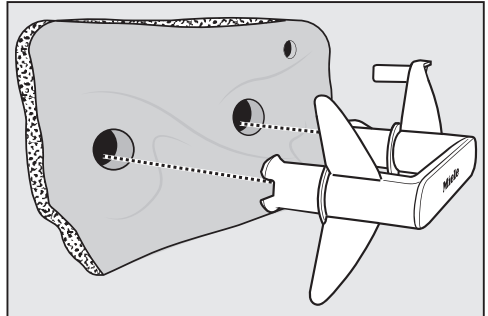
The heat exchanger can clog up. Replace the plinth filter immediately if you see the following signs of wear before or after cleaning (optional accessory).

### Poor fit



The edges of the plinth filter do not sit properly and the plinth filter is out of shape. Fluff will blow into the heat exchanger unfiltered through edges that do not sit properly. This will, in time, cause a blockage in the heat exchanger.

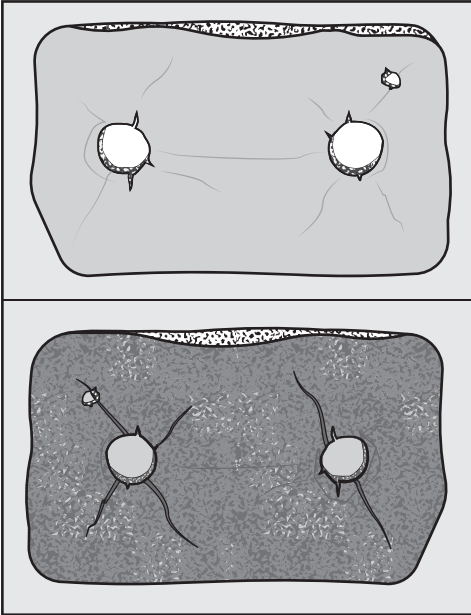
### Deformations



Deformations indicate that the filter has become blocked and worn by continuous use.

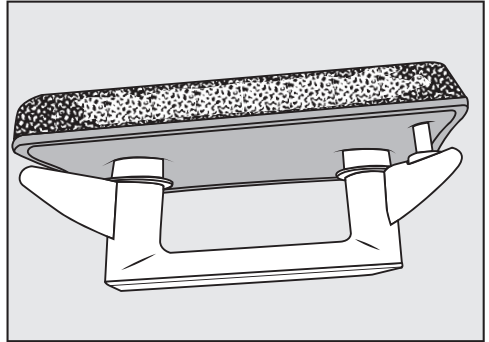
## Problem solving guide

### Cracks, tears, indentations



Fluff will blow into the heat exchanger through cracks and tears. This will, in time, cause a blockage in the heat exchanger.

### White residues or residues of other colours



These residues arise from laundry fibres and traces of detergent components. They can be found on the front and side edges of the plinth filter. In extreme cases, they can form stubborn crust. Residues are a sign that the plinth filter no is longer a snug fit at the sides, even if it appears to be perfect: fluff is getting in unfiltered at the edges.

Reactivate the plinth filter. If these residues appear on the plinth filter again soon after cleaning, the plinth filter must be replaced.

# Problem solving guide

## Reactivating the plinth filter

You can reactivate one or more soiled plinth filters in a washing machine. You will then be able to use the plinth filter again.

Prior to reactivation, check that the plinth filter is in good order. Check the plinth filter following the instructions provided in “Problem solving guide – Replacing the plinth filter”. Replace the plinth filter if it has worn out.

- Wash the plinth filter(s) separately, not with any laundry items. Do not add any detergent.
- Select a short wash programme with a maximum temperature of 40 °C and a maximum spin speed of 600 rpm.

You can re-insert the plinth filter once the wash and spin cycles are complete.

## Checking the heat exchanger

⚠ Risk of injury from sharp cooling fins.

You could cut yourself.

Do not touch the cooling fins with your hands.

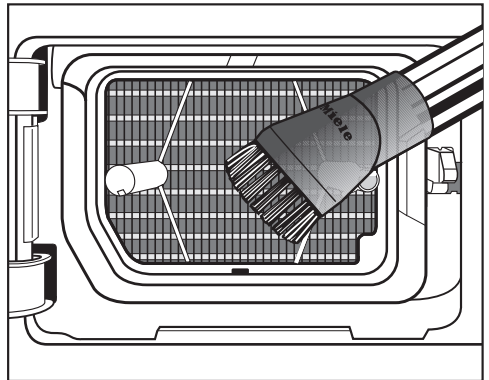
- Look to see if fluff has accumulated.

Remove any fluff you can see.

⚠ Damage due to incorrect cleaning of the heat exchanger.

The tumble dryer will not dry if the cooling fins are damaged or bent.

Clean using a vacuum cleaner with a suction brush attached. Only pass the vacuum cleaner brush over the heat exchanger cooling fins lightly, without applying any pressure.

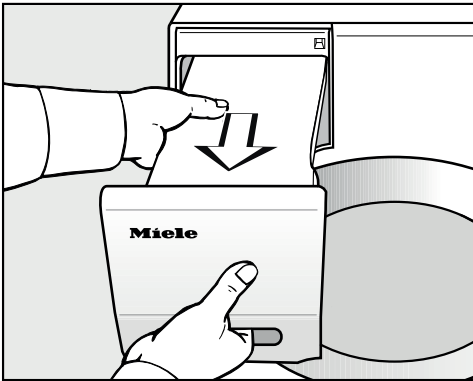


- Use a vacuum cleaner to remove fluff and residues.

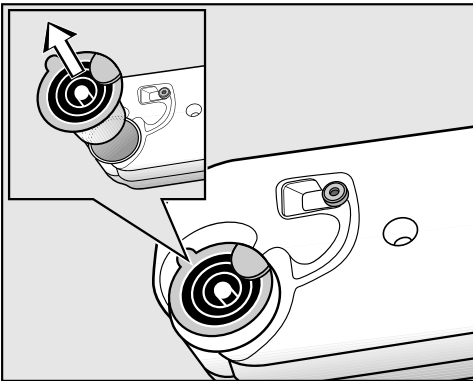


### Cleaning the fluff filter in the condensed water container

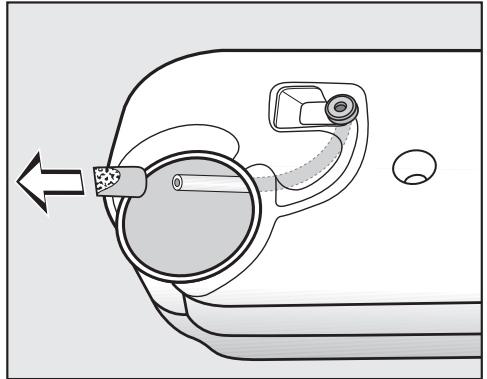
When certain programmes are being used, water is taken from the condensed water container and sprayed into the drum. The spray jet can sometimes stop working. The fluff filter in the condensed water container is clogged.



- Remove the condensed water container.



- Reach under the side lug on the spout with your finger.
- Pull out the spout.



Be careful not to tug on the hose to avoid detaching it.

- Guide the end of the hose through the opening.
- Hold it securely with one hand.
- Use your other hand to pull the fluff filter off the hose.
- Rinse the fluff filter with a water jet until all the fluff has been removed.
- Attach the clean fluff filter to the end of the hose.
- Now feed the hose back into the condensed water container.
- Refit the spout in the condensed water container ensuring that it is positioned correctly. Please refer to the image.


## Problem solving guide

### Replacing the condensed water spray jet

When certain programmes are being used, water is taken from the condensed water container and sprayed into the drum. The spray jet can sometimes stop working. Limescale deposits have built up on the spray jet.

Remove the spray jet (optional accessory). Replace the spray jet.

You can only replace the spray jet using a special tool. The special tool is supplied with the new spray jet.

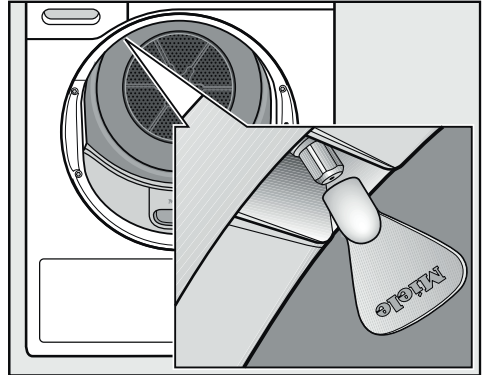
 Using the wrong tool can cause damage.

Doing so can damage the spray jet or the tumble dryer.

Only use the tool supplied. Do not use any other tool.

- Open the tumble dryer door.

The spray jet is located in the top left of the door opening.



- Attach the tool to the spray jet.
- Turn the tool anti-clockwise to unscrew the spray jet.
- Insert the new spray jet into the tool.
- Turn the tool clockwise to screw the spray jet securely in position.

The tumble dryer must not be operated without the spray jet fitted.

## Contact in the event of a fault

In the event of any faults which you cannot remedy yourself, please contact your Miele dealer or the Miele Customer Service Department.

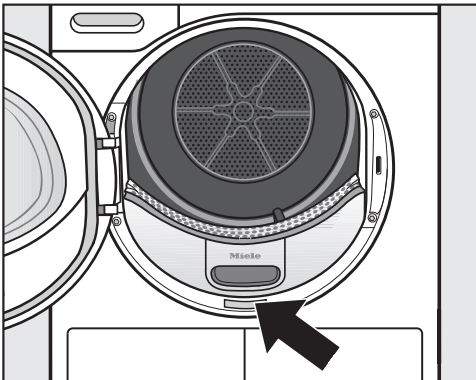
You can book a Miele Customer Service Department call-out online at [www.miele.com/service](http://www.miele.com/service).

Contact information for the Miele Customer Service Department can be found at the end of this document.

Please quote the model identifier and serial number of your appliance (Fabr./SN/Nr.) when contacting the Miele Customer Service Department. This information can be found on the data plate.

Please note that telephone calls may be monitored and recorded for training purposes and that a call-out charge will be applied to service visits where the problem could have been resolved as described in this booklet.

The data plate is visible when the door is open.



## Optional accessories

Optional accessories for this tumble dryer are available from Miele or from your Miele dealer.

You also can order these and many other useful products from the Miele online shop.

### Dryer basket

The dryer basket enables items which must not be subjected to mechanical action to be dried or aired.

### Fragrance flacon

A fragrance flacon can be used in your tumble dryer to add a pleasant fragrance to your laundry.

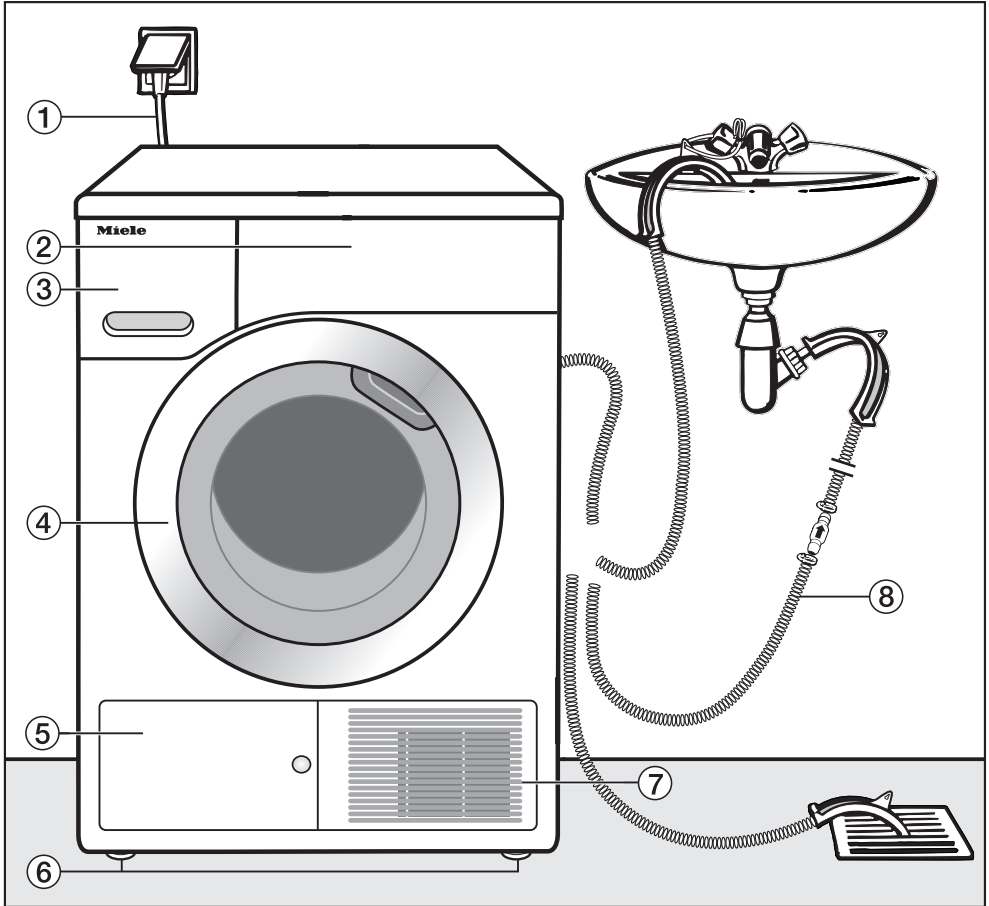
## Warranty

For information on the appliance warranty specific to your country please contact Miele. See back cover for address.

In the UK, your appliance warranty is valid for 2 years from the date of purchase. However, you must activate your cover by calling 0330 160 6640 or registering online at [www.miele.co.uk](http://www.miele.co.uk).

# Installation

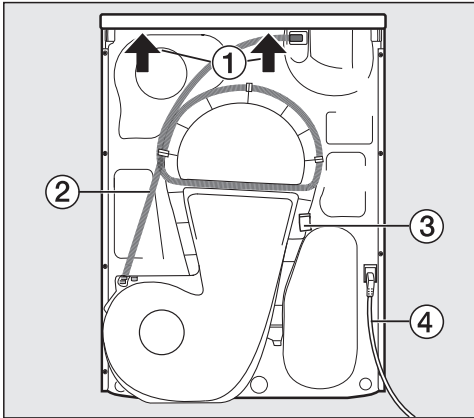
## Front view



- ① Mains connection cable
- ② Control panel
- ③ Condensed water container
- ④ Door

- ⑤ Plinth filter flap
- ⑥ 4 height-adjustable feet
- ⑦ Cooling air grille
- ⑧ Drain hose for condensed water

## Rear view



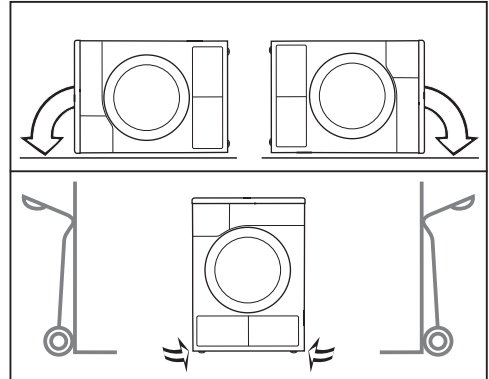
- ① Protruding lid for holding when moving the appliance
- ② Drain hose for condensed water
- ③ Hook for winding up the mains connection cable during transport
- ④ Mains connection cable

## Transporting the tumble dryer

**⚠** Danger of injury to people and damage to property caused by moving the appliance incorrectly.

If the tumble dryer tips up there is a danger of injury to people and damage to property.

Ensure that the tumble dryer is stable during transportation.



- If the tumble dryer is being transported on its side, it must be tipped onto its left or right side.
- If the tumble dryer is being transported upright and you are using a hand truck, you must transport it with its left or right side resting on the truck.

## Transporting the tumble dryer to its installation site

**⚠** Make sure the fixings at the back of the lid are secure.

Otherwise there is a danger of the lid being pulled off when carrying the appliance.

Before carrying the appliance check that the lid is secure where it protrudes at the back of the appliance.

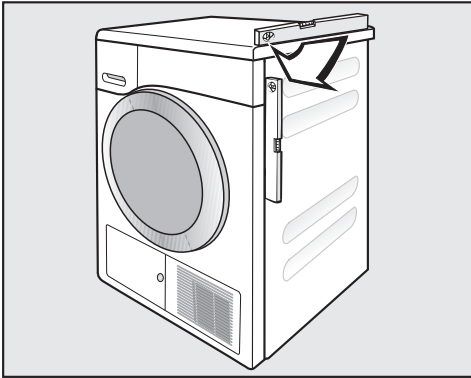
- Carry the tumble dryer by the front feet and by the lid where it protrudes at the back of the appliance.

# Installation

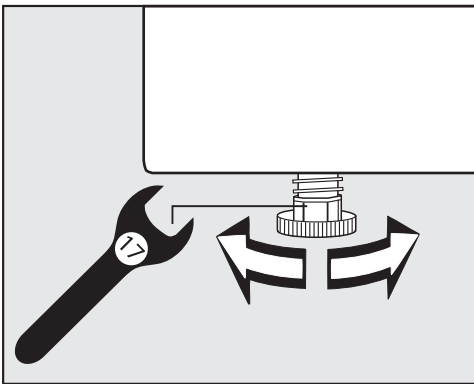
## Installation

### Levelling the tumble dryer

Ensure that no closeable door, sliding door or oppositely hinged door is installed that could hinder opening of the tumble dryer door in any way.



To ensure proper operation, the tumble dryer must stand perfectly level. The screw feet on the tumble dryer can be adjusted to compensate for unevenness in the floor.



- Turn the screw feet by hand or with a flat open spanner.



⚠ Risk of fire and explosion due to damage to the tumble dryer.

The refrigerant is flammable and explosive.

Do not make any alterations to the tumble dryer. Take measures to protect the tumble dryer against damage.

If the tumble dryer is damaged, proceed as follows:

- Avoid naked flames or anything which creates a spark.
- Disconnect the tumble dryer from the electrical supply.
- Air the room where the tumble dryer is located.
- Contact the Miele Customer Service Department.

### Downtime after installation

⚠ Damage to the tumble dryer by switching it on too soon.

This can damage the heat pump.

After setting up the tumble dryer wait for at least one hour before switching it on.

## Ventilation

The cool air intake at the front of the tumble dryer must not be blocked or covered. This would hinder a sufficient intake of cool air for the heat exchanger.

Do not block the gap between the bottom of the tumble dryer and the floor with plinth facings, deep pile carpet etc. This would hinder a sufficient flow of air to the tumble dryer.

The hot air that is blown out from the heat exchanger warms the room air. Ensure sufficient ventilation of the room: e.g., open the window. The drying time will otherwise take longer (higher energy requirement).

The heat pump that is essential to the operation of this tumble dryer generates a great deal of heat inside its casing. There must be a reliable means of dissipating this heat.

Otherwise loads could take longer to dry or the tumble dryer might sustain damage in the long term.

Permanent room ventilation during every drying programme and the gap between the bottom of the tumble dryer and the floor are mandatory requirements at all times.


### **Before moving the tumble dryer again**

A small quantity of condensed water that remains in the area around the pump after the drying process can run out if the tumble dryer is tilted. Recommendation: start a programme for approx. 1 minute before transporting the dryer. Any remaining condensed water will then be fed into the condensed water container (which you will need to empty again) or out through the drain hose.

# Installation

---

## Additional installation requirements

 Risk of injury from an electrical shock when the appliance lid is removed.

There is a risk of electric shock because electrically charged components in the dryer are accessible with the lid removed.

For safety reasons, the tumble dryer must be disconnected from the electricity supply.

## Building under a continuous worktop or in a cabinet

Appliance defect due to a build-up of heat.

Make sure there is adequate room for warm air from the dryer to be directed away.

- The electrical socket must be located in an accessible position near the tumble dryer.
- Drying durations may increase slightly.

Avoid a build-up of heat:

- Adjust the screw feet so that there is a gap of at least 20 mm between the floor and the bottom of the dryer.
- Create a gap for the dryer in the kitchen furniture plinth facing.
- Create ventilation gaps in the kitchen cabinet.

## Slot-in

This tumble dryer is suitable for pushing under a worktop if there is space to do this without removing the lid.

## Optional accessories

### - Building-under kit

A building under kit is required if the lid of the tumble dryer needs to be removed in order to build it under a worktop.

It must be installed/dismantled by a suitably qualified fitter.

The cover plate included in the building-under kit replaces the appliance's lid. The cover plate has to be fitted for electrical safety!

Fitting instructions are supplied with the building-under kit.

### - Washer-dryer stack

The tumble dryer can be combined with a Miele washing machine in a washer-dryer stack. The appropriate Miele washer-dryer stacking kit is required.

### - Plinth

The tumble dryer can be fitted on a plinth with drawer (please note the plinth may not be available in all countries).



## External condensed water outlet

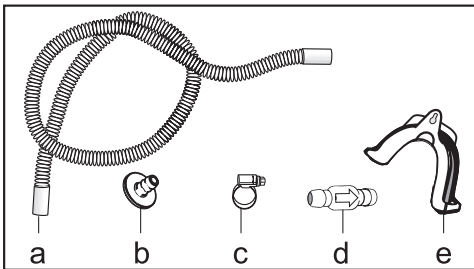
### Note

When drying is in progress, condensed water is pumped into the condensed water container through the drain hose which is located at the back of the dryer.

The condensed water can also be externally drained away via the drain hose at the back of the dryer. This means that the condensed water container no longer has to be emptied.

Drain hose length: 1.49 m  
Max. delivery head: 1.00 m  
Max. drain hose length: 4.00 m

### Drainage accessories



- Supplied: Adapter (b), Hose clip (c), Hose holder (e);
- Available to purchase: “Non-return valve” kit for connection to an external water connection. Non-return valve (d), Hose extension (a) and Hose clips (c) are supplied.

## Installation conditions requiring a non-return valve

⚠ Danger of condensed water back-flow.

Water could flow back into the tumble dryer or be drawn into it. Back-flow water could damage the tumble dryer and also the room in which it is located.

The non-return valve should be used if the end of the hose is immersed in water, or if other water connections are installed.

Maximum delivery head with non-return valve fitted: 1.00 m

### Installation conditions requiring the fitting of a non-return valve:

- Drainage into a sink or floor gully where the end of the hose is immersed in water.
- Connection to a sink drain outlet.
- Connection to a drainage system already in use by another appliance, e.g. a dishwasher or washing machine.

If the non-return valve is incorrectly fitted the appliance will not drain. The non-return valve has to be fitted with the arrow on it pointing in the direction of flow.

# Installation

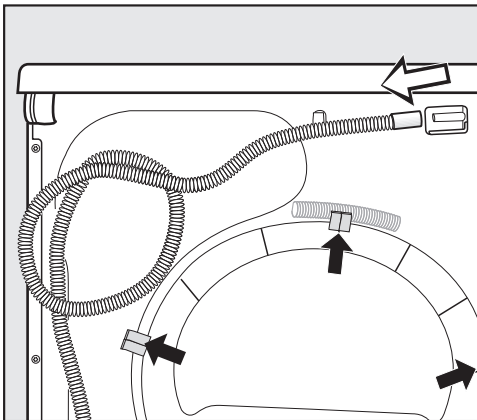
## Arranging the drain hose

⚠ Damage to the drain hose through incorrect handling.

The drain hose can suffer damage and leak.

Do not pull on the drain hose and do not stretch it or allow it to become kinked.

There will be a small amount of residual water left in the drain hose. Have a container ready to collect this.

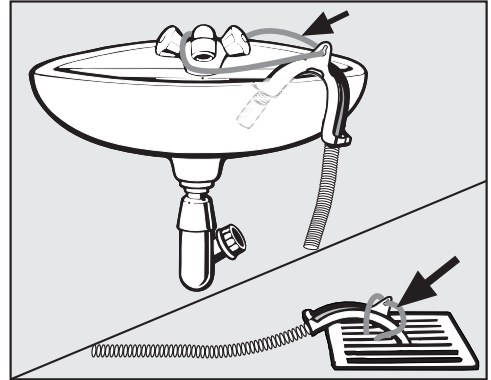


- Pull the drain hose off its connection (light arrow).
- Pull the hose out of the holders (dark arrow) and unwind it.
- Allow any residual water to run into a container.

## Examples

### Drainage into a sink or floor gully

Use the hose holder to secure the drain hose.



⚠ Water damage.

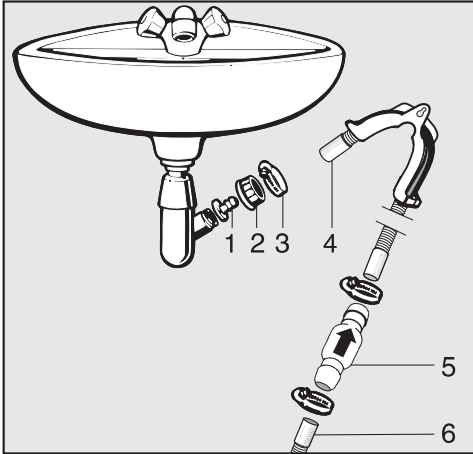
Should the end of the hose come loose, overflowing water can cause damage.

Secure the drain hose carefully (e.g., by tying it) to make sure it cannot slip.

The non-return valve can be fitted in the end of the hose.

## Direct connection to a sink drain outlet

Use the hose holder, the adapter, the hose clips and the non-return valve (available to purchase).



1. Adapter
2. Nut
3. Hose clip
4. End of the hose (secured with the hose holder)
5. Non-return valve
6. Tumble dryer drain hose

- Fit adapter **1** to the sink drain outlet using nut **2**.  
The nut is usually fitted with a washer which must be removed.
- Attach the end of the hose **4** to adapter **1**.
- Use the hose holder.
- Use a screwdriver to tighten hose clip **3** up close to the nut.
- Fit non-return valve **5** to tumble dryer drain hose **6**.

Non-return valve **5** has to be fitted so that the arrow points in the direction of flow (i.e. towards the sink).

- Secure the non-return valve using hose clips.


# Installation

---


## Electrical connection

The tumble dryer is supplied with a mains cable with moulded plug ready for connection to a suitable earthed socket.

The socket must be easily accessible after the tumble dryer has been installed. If the socket is not easily accessible, ensure that a suitable means of disconnection is provided on the installation side for each pole.

 Risk of fire from overheating. Connecting the tumble dryer to a multi-socket adapter or to an extension lead can overload the mains connection cable. For safety reasons, do not use an extension cable or multi-socket adapter.

The electrical system must comply with local and national safety regulations (BS 7671 in the UK).

For safety reasons, we recommend using a type A  residual current device (RCD) in the relevant electrical installation for connecting the tumble dryer.

If the mains connection cable is damaged, it must only be replaced with a specific mains connection cable of the same type (available from the Miele Customer Service Department). For safety reasons, such replacement may only be carried out by a qualified specialist or the Miele Customer Service Department.

These operating instructions and the data plate indicate the nominal power consumption and the appropriate fuse rating. Compare this information with the data of the on-site electrical connection.

If in any doubt, consult a qualified electrician.

Temporary or permanent operation on an autonomous power supply system or a power supply system that is not synchronised with the mains power supply (e.g. island networks, back-up systems) is possible. A prerequisite for operation is that the power supply system complies with the specifications of EN 50160 or an equivalent standard. The function and operation of the protective measures provided in the domestic electrical installation and in this Miele product must also be maintained in isolated operation or in operation that is not synchronised with the mains power supply, or these measures must be replaced by equivalent measures in the installation. As described, for example, in the current version of BS OH-SAS 18001-2 ISO 45001.

## Technical data

Height	850 mm
Width	596 mm
Depth	636 mm
Depth with door open	1054 mm
Height for building under	820 mm (+8/-2 mm)
Width for building under	600 mm
Depth for building under	600 mm
Suitable for pushing under a worktop	Yes
Suitable for stacking	Yes
Weight	Approx. 62 kg
Drum volume	120 litres
Load size	9.0 kg (weight of dry laundry)
Capacity of condensed water container	4.8 litres
Hose length	1.49 m
Maximum delivery head	1.00 m
Maximum drain hose length	4.00 m
Length of connection cable	2.00 m
Voltage	See data plate
Connected load	See data plate
Fuse rating	See data plate
Test certificates awarded	See data plate
Energy consumption	See "Consumption data"
LEDs	Class 1
Frequency band	2.4000 GHz – 2.4835 GHz
Maximum transmission power	< 100 mW

# Technical data

## Data sheet for household tumble driers

In acc. with delegated regulation (EU) No. 392/2012

<b>MIELE</b>	
<b>Model name/identifier</b>	TEL 785 WP
Rated capacity <sup>1</sup>	9,0 kg
Type of tumble drier (Air-vented / condenser)	- / •
Energy efficiency class	
A+++ (most efficient) to D (least efficient)	A+++
Weighted annual energy consumption (AE <sub>c</sub> ) <sup>2</sup>	185 kWh/year
Tumble drier (Automatic / non-automatic)	• / -
Energy consumption of the standard cotton programme	
Energy consumption at full load	1,55 kWh
Energy consumption at partial load	0,84 kWh
Weighted power consumption in off-mode (P <sub>o</sub> )	0,20 W
Weighted power consumption in the left-on mode (P <sub>l</sub> )	0,20 W
Duration of the 'left-on' mode (T <sub>l</sub> ) <sup>3</sup>	15 min
Standard programme to which the information in the label and the fiche relates <sup>4</sup>	Cottons with arrow
Programme time of the 'standard cotton programme'	
Weighted programme time	141 min
Programme time at full load	184 min
Programme time at partial load	108 min
Condensation efficiency class <sup>5</sup>	
A (most efficient) to G (least efficient)	A
Weighted condensation efficiency for the 'standard cotton programme' at full and partial load	94 %
Average condensation efficiency of the 'standard cotton programme' at full load	94 %
Average condensation efficiency of the 'standard cotton programme' at partial load	94 %
Sound power level (L <sub>WA</sub> ) <sup>6</sup>	64 dB(A) re 1 pW
Built-in	-

• Yes, standard feature

<sup>1</sup> In kg of cotton laundry for the standard cotton programme at full load.

<sup>2</sup> based on 160 drying cycles of the standard cotton programme at full and partial load, and the consumption of the low-power modes. Actual energy consumption per cycle will depend on how the appliance is used.

- 3 If the household tumble drier is equipped with a power management system.
- 4 This programme is suitable for drying normal wet cotton laundry and is the most efficient programme in terms of energy consumption for cotton.
- 5 If the household tumble drier is a condenser tumble drier.
- 6 For the standard cotton programme at full load.

# Technical data

---

## EU Conformity declaration

Miele hereby declares that this heat-pump tumble dryer complies with Directive 2014/53/EU.

The complete text of the EU declaration of conformity is available from one of the following internet addresses:

- Products, Download from [www.miele.ie](http://www.miele.ie)
- For service, information, operating instructions etc: go to [www.miele.ie/domestic/customer-information-385.htm](http://www.miele.ie/domestic/customer-information-385.htm) and enter the name of the product or the serial number

## UK Conformity declaration

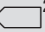
Miele hereby declares that this heat-pump tumble dryer complies with UK Radio Equipment Regulations 2017, as amended.

The complete text of the UK declaration of conformity is available from one of the following internet addresses:

- Products, Download from [www.miele.co.uk](http://www.miele.co.uk)
- For service, information, operating instructions etc: go to [www.miele.co.uk](http://www.miele.co.uk) and enter the name of the product or the serial number



# Consumption data

	Load size <sup>1</sup>	Final spin speed in washing machine	Residual moisture	Energy	Programme running time
	kg	rpm	%	kWh	min
<b>Cottons</b>  <sup>2</sup>	9.0	1000	60	1.55	184
	4.5	1000	60	0.84	108
<b>Cottons Normal</b>	9.0	1200	53	1.40	166
	9.0	1400	50	1.30	158
	9.0	1600	44	1.15	141
<b>Cottons Hand iron</b>	9.0	1000	60	1.14	137
	9.0	1200	53	1.00	120
	9.0	1400	50	0.95	112
	9.0	1600	44	0.80	95
<b>Minimum iron Normal</b>	4.0	1200	40	0.45	66
<b>Delicates Normal</b>	2.5	800	50	0.41	70
<b>Woolens handcare</b>	2.0	1000	50	0.02	5
<b>Shirts Normal</b>	2.0	600	60	0.44	62
<b>Express Normal</b>	4.0	1000	60	0.75	100
<b>Proofing Normal</b>	2.5	800	50	0.75	100
<sup>1</sup> Weight of dry laundry					
<sup>2</sup> Test programme in accordance with Regulation 392/2012/EU for energy labelling, measured in accordance with EN 61121.					
All data was calculated using EN 61121 unless otherwise stated.					

**Consumption data can vary from the nominal values given above depending on the size of the load, types of textiles, residual moisture levels after spinning and fluctuations in the electricity supply, or when water hardness levels differ from specified values.**

The consumption data displayed by the tumble dryer may differ from the consumption data listed in the table. The differences are due to how data is calculated on the tumble dryer. For instance, when the programme running time is calculated, it is influenced by the residual moisture and composition of the laundry load, which – in turn – has an impact on the amount of energy required.

# Settings

## Accessing the settings menu

You can alter the tumble dryer's electronics to suit changing requirements with the settings. The settings can be altered at any time.

- Turn the programme selector to *Further programmes*/⚙️.



- Touch the  $\wedge$  sensor control once.

The following appears in the display:



- Confirm with the *OK* sensor control.



You are now in the *Settings* submenu.

## Selecting settings

- Touch the  $\vee$  or  $\wedge$  sensor until the setting you want appears in the display.
  - The  $\vee$  sensor scrolls down the list.
  - The  $\wedge$  sensor scrolls up the list.
- Touch the *OK* sensor to select the setting displayed.

## Changing a setting

- Touching the  $\vee$  or  $\wedge$  sensor will call up the different options for the setting.

For example, you can


- select a value. If the option is marked with a  $\checkmark$  it is active,
- change a bar chart,
- change numbers.
- When the option you want appears in the display, touch the *OK* sensor to activate it.

## Closing the settings menu

- Turn the programme selector.

## Language

The display can be set to appear in one of several different languages.

The flag  after the word Language (Sprache in German) acts as a guide in case a language which is not understood has been set.

The language selected is saved.

## Drying levels

You can alter the drying levels for the *Cottons*, *Minimum iron* and *Automatic* programmes.

### Selection

- ■■■■■■■■ (damper)  
The programme duration is shorter
- ■■■■■■■■ (factory default setting)
- ■■■■■■■■ (drier)  
The programme duration is longer

## Cooling down temp.

The laundry will be cooled down automatically before the end of the programme. The automatic cooling-down phase which takes place before the end of a programme can be set at a cooler level for all the drying level programmes. This means that the cooling phase is extended.

### Selection

- The value is set in increments of 1 °C.
- 55 °C (factory default setting)
  - ...
  - 40 °C

## Welcome tone

The volume for the welcome tone can be set to one of 7 different settings.

### Selection

- Off
- ■■■■■■■■ (quiet)
- ■■■■■■■■ (factory default setting)
- ■■■■■■■■ (loud)

# Settings

---

## Keypad tone

Each touch of a sensor is confirmed with an audible tone.

### Selection

- Off (factory default setting)
- ■ □ □ □ □ □ □ □ (quiet)
- ■ ■ ■ ■ ■ ■ ■ ■ (loud)

If a selection is not allowed, a negative tone sounds.


## Buzzer volume

The buzzer sounds to let you know the programme has finished. The buzzer can be set to be louder or quieter.

### Selection



- ■ □ □ □ □ □ □ □ (quiet)
- ■ ■ ■ ■ □ □ □ □ (factory default setting)
- ■ ■ ■ ■ ■ ■ ■ ■ (loud)

## Airways indicator

Fluff should be removed after drying. In addition, this indicator will remind you to clean the filters when a certain amount of fluff has collected in them:  
❗ Clean the plinth filter. See   
You can decide at what level of fluff this reminder should be given.

### Selection

You will have an idea of how often this should be done after a few drying programmes.

- Off  
This reminder does not appear. However, if there is a very severe blockage in the ducting, the programme will be cancelled and the error message  Clean the plinth filter. See  will appear in the display regardless of this option.
- Heavy  
The reminder only appears when there is a heavy build-up of fluff.
- Normal (factory default setting)
- Light  
The reminder appears when there is only a small build-up of fluff.

## Conductivity

This setting is only relevant for regions with very soft water.


Very soft water can result in unsatisfactory drying results.

You should only select this setting if the water used for washing the laundry is extremely soft with a conductivity reading (electrical conductivity) less than 150  $\mu\text{S}/\text{cm}$ . Contact your local water authority for the conductivity level of your mains water supply.

### Selection

- Normal (factory default setting)
- Low <150ms (only for regions with very soft water)

## Consumption data

You can view information about the energy consumption of your tumble dryer with the  sensor. Various information can be shown in the display.

### Options

- Estim. + Consump. (factory default)
  - Indicates the estimated energy consumption before the programme starts
  - Indicates the energy consumption once the programme starts
- Estimate  
Only indicates the estimated energy consumption before the programme starts

When this option is activated, Consumption is no longer shown in the display.

## Consumption

You can display the total consumption.

### Selection

- Previous programme  
Displays energy consumption in the last programme run
- Total consumption  
Displays the total consumption to date
- Reset function  
Deletes the total consumption to date


# Settings

## Code

The code prevents your dryer being used without your knowledge.

### Selection

- Activate  
The code is 250 and can be activated.  
If the code has been activated, you have to enter the code after switching the dryer on. Otherwise the dryer cannot be operated.
- Deactivate  
For using the dryer without entering the code. This only appears if the code had been activated previously.
- Change  
You can enter a code of your own.

 Make a note of your new code. If you forget the code, the dryer will need to be unlocked by Miele Technical Service.

## Brightness

You can set the brightness of the display, the sensor controls, and the dimmed sensor controls.

### Selection

#### Display

Controls the brightness of the display.

- ■ □ □ □ □ □ □ □ (dark)
- ■ ■ ■ ■ ■ □ □ □ (factory default setting)
- ■ ■ ■ ■ ■ ■ ■ ■ (light)

#### Buttons active

Controls the brightness of the activated sensor controls.

- ■ □ □ □ □ □ □ □ (dark)
- ■ ■ ■ ■ ■ ■ ■ ■ (light)

#### Buttons inactive

Controls the brightness of the sensor controls that can be activated.

- ■ □ □ □ □ □ □ □ (dark)
- ■ ■ ■ ■ ■ ■ ■ ■ (light)

**Tip:** Ensure that there is a discernible difference in brightness between the activated and dimmed sensor controls. This makes it easier to operate the appliance.

## Disp. switch-off stat.

To save energy, the display and sensor controls will go out after 10 minutes. The *Start/Add laundry* button flashes slowly. You can change this setting.

### Selection

- On (default setting)  
The display will go out (after 10 minutes):
  - if a programme is not selected after the dryer has been switched on
  - during the current programme
  - after the end of a programme.
- On (not current pr.)  
The display will go out (as described above) but will remain on while the programme is running.
- Off  
The display will remain on (i.e. it will never go out).

You can switch the display back on by touching any sensor control.

## Memory

The dryer saves the settings that were selected last for a drying programme (drying stage and/or extra option, or the duration for some programmes).

When the programme is chosen again, the saved settings will appear in the display.

### Selection

- Off (factory default setting)
- On

The activation of delay start, the buzzer, or ECO feedback data are not saved.

## Anti-crease

The Anti-crease function reduces creasing after the end of the programme.

The drum will continue to rotate for up to 2 hours after the drying cycle has finished. This helps to reduce creasing.

### Options

- Off
- 1 h
- 2 h (factory default)

# Settings

---

## Programme info

The programme names and load size, which are lit in the display when the programme is selected with the programme selector, can be switched off.

### Selection

- Off (programme name and load size are not displayed)
- Programme name The load size does not appear in the display.
- Prog. & max load (both are displayed, factory setting)

## Miele@home

Control the networking of your tumble dryer with your home WiFi network.

The following points may appear in the submenu:

- Set up

This message only appears if the tumble dryer has not yet been connected to a WiFi network.

Please refer to “Before using for the first time” for instructions on how to set up the connection.

- Deactivate (Visible if Miele@home is activated)

Miele@home remains set up, the WiFi function is switched off.

- Activate (Visible if Miele@home is deactivated)

The WiFi function is reactivated.

- Connection status (Visible if Miele@home is activated)

The following values are displayed:

- the quality of WiFi reception
- the network name
- the IP address
- Set up again (Visible if set up)

Resets the WiFi login (network) to immediately re-establish a new connection.

- Reset (Visible if set up)

- The WiFi is switched off.
- The WiFi connection will be reset to the factory default setting.

The network configuration should be reset whenever a tumble dryer is being disposed of or sold, or if a used tumble dryer is being put into operation. This is the only way to ensure that all personal data has been removed and the previous owner will no longer be able to access the tumble dryer.

A new connection has to be established in order to use Miele@home again.



## Remote control

The Remote control setting is only visible if the Miele@home setting is set up and activated.

Once the Miele@mobile app has been installed on your mobile device, you can check the status of your tumble dryer from anywhere and start it remotely. You can also control it remotely via the *MobileStart* programme.

You can switch off the Remote control setting if you do not want to operate the tumble dryer with your mobile device.

If Remote control is not switched on, the app can cause the programme to be cancelled.

Use the “Delay start” button to set a time at which you wish to start the tumble dryer and start the delay start (see “Delay start/SmartStart”).

The tumble dryer will then start within the timeframe specified when it receives your signal.

If it has not received a start signal by the latest start time set, the tumble dryer will start automatically.

Remote control is activated by default.

## SmartGrid

The SmartGrid setting is only visible if the Miele@home setting is set up and activated.

This function can be used for starting your tumble dryer automatically at a time when your energy costs are most economical.

Activating SmartGrid gives the *Delay start* sensor a new function. Use the “Delay start” control to set the SmartGrid. The tumble dryer will then start within the timeframe specified when it receives a signal from the energy supplier. If it has not received a signal from the energy supplier by the latest start time set, the tumble dryer will start automatically (see “Delay start”).

SmartGrid is deactivated as standard.

# Settings

---

## Wash2Dry

You can deactivate the *Wash2Dry* function.

### Options

- Off  
Stops programme data being received from the washing machine.
- On (factory default)

## RemoteUpdate

The RemoteUpdate function is used for updating the software in your tumble dryer.

RemoteUpdate is activated by default.

If you do not install a RemoteUpdate, you can continue to use your tumble dryer in the usual way. However, Miele recommends installing RemoteUpdates.

### Activation

The RemoteUpdate menu option is only displayed and can only be selected if you have added your tumble dryer to your WiFi network (see “Miele@home” in the “Settings” chapter).

Miele’s RemoteUpdate function can only be used if the tumble dryer is connected to a WiFi network and you have an account in the Miele@mobile app. The tumble dryer must be registered in it.

See the Miele@mobile app for terms and conditions of use.

Some software updates can only be carried out by Miele Service.

## Running a RemoteUpdate

If a RemoteUpdate is available for your tumble dryer, it will be displayed automatically for you.

You can choose to start the RemoteUpdate immediately or wait until later. If you select “Start later”, the prompt to run the RemoteUpdate will be displayed again the next time you switch on your tumble dryer.

The RemoteUpdate can take a few minutes.

Please note the following information about the RemoteUpdate function:

- You will only receive a message when a RemoteUpdate is available.
- Once a RemoteUpdate has been installed, it cannot be undone.
- Do not switch off the tumble dryer during a RemoteUpdate. Otherwise, the RemoteUpdate will be aborted and will not be installed.

## United Kingdom

Miele Co. Ltd., Fairacres, Marcham Road, Abingdon, Oxon, OX14 1TW

Tel: 0330 160 6600, Internet: [www.miele.co.uk/service](http://www.miele.co.uk/service), E-mail: [info@miele.co.uk](mailto:info@miele.co.uk)

### Australia

Miele Australia Pty. Ltd.

ACN 005 635 398

ABN 96 005 635 398

Level 4, 141 Camberwell Road

Hawthorn East, VIC 3123

Tel: 1300 464 353

Internet: [www.miele.com.au](http://www.miele.com.au)

### China Mainland

Miele Electrical Appliances Co., Ltd.

1-3 Floor, No. 82 Shi Men Yi Road  
Jing' an District

200040 Shanghai, PRC

Tel: +86 21 6157 3500

Fax: +86 21 6157 3511

E-mail: [info@miele.cn](mailto:info@miele.cn),

Internet: [www.miele.cn](http://www.miele.cn)

### Hong Kong, China

Miele (Hong Kong) Ltd.

41/F - 4101, Manhattan Place

23 Wang Tai Road

Kowloon Bay, Hong Kong

Tel: (852) 2610 1025

Fax: (852) 3579 1404

Email:

[customerservices@miele.com.hk](mailto:customerservices@miele.com.hk)

Website: [www.miele.hk](http://www.miele.hk)

### India

Miele India Pvt. Ltd.

1st Floor, Copia Corporate Suites,  
Commercial Plot 9,

Mathura Road, Jasola,

New Delhi - 110025

E-mail: [customercare@miele.in](mailto:customercare@miele.in)

Website: [www.miele.in](http://www.miele.in)

### Ireland

Miele Ireland Ltd.

2024 Bianconi Avenue

Citywest Business Campus

Dublin 24

Tel: (01) 461 07 10

Fax: (01) 461 07 97

E-Mail: [info@miele.ie](mailto:info@miele.ie)

Internet: [www.miele.ie](http://www.miele.ie)

### Malaysia

Miele Sdn Bhd

Suite 12-2, Level 12

Menara Sapura Kencana

Petroleum

Solaris Dutamas No. 1

Jalan Dutamas 1

50480 Kuala Lumpur, Malaysia

Phone: +603-6209-0288

Fax: +603-6205-3768

### New Zealand

Miele New Zealand Limited

IRD 98 463 631

8 College Hill

Freemans Bay, Auckland 1011

New Zealand

Tel: 0800 464 353

Internet: [www.miele.co.nz](http://www.miele.co.nz)

### Singapore

Miele Pte. Ltd.

29 Media Circle

#11-04 ALICE@Mediapolis

Singapore 138565

sTel: +65 6735 1191

Fax: +65 6735 1161

E-Mail: [info@miele.com.sg](mailto:info@miele.com.sg)

Internet: [www.miele.sg](http://www.miele.sg)

### South Africa

Miele (Pty) Ltd.

63 Peter Place

Bryanston 2194

P.O. Box 69434

Bryanston 2021

Tel: (011) 875 9000

Fax: (011) 875 9035

E-mail: [info@miele.co.za](mailto:info@miele.co.za)

Internet: [www.miele.co.za](http://www.miele.co.za)

### Thailand

Miele Appliances Ltd.

BHIRAJ TOWER at EmQuartier

43rd Floor Unit 4301-4303

689 Sukhumvit Road

North Klongton Sub-District

Vadhana District

Bangkok 10110, Thailand

### United Arab Emirates

Miele Appliances Ltd.

Showroom 1

Eiffel 1 Building

Sheikh Zayed Road, Umm Al Sheif

P.O. Box 114782 - Dubai

Tel. +971 4 3044 999

Fax. +971 4 3418 852

800-MIELE (64353)

E-Mail: [info@miele.ae](mailto:info@miele.ae)

Website: [www.miele.ae](http://www.miele.ae)

**Manufacturer:** Miele & Cie. KG, Carl-Miele-Straße 29, 33332 Gütersloh, Germany

TEL 785 WP

en-GB

M.-Nr. 12 032 450 / 01