

3. Maintenance

4. What to do if

3.3 Before removing the filter



4.1 Error code flashing LEDs – change brush



3.4 Maintenance fine dust filter



Miele

Miele



Quick Start Guide

TRIFLEX HX2

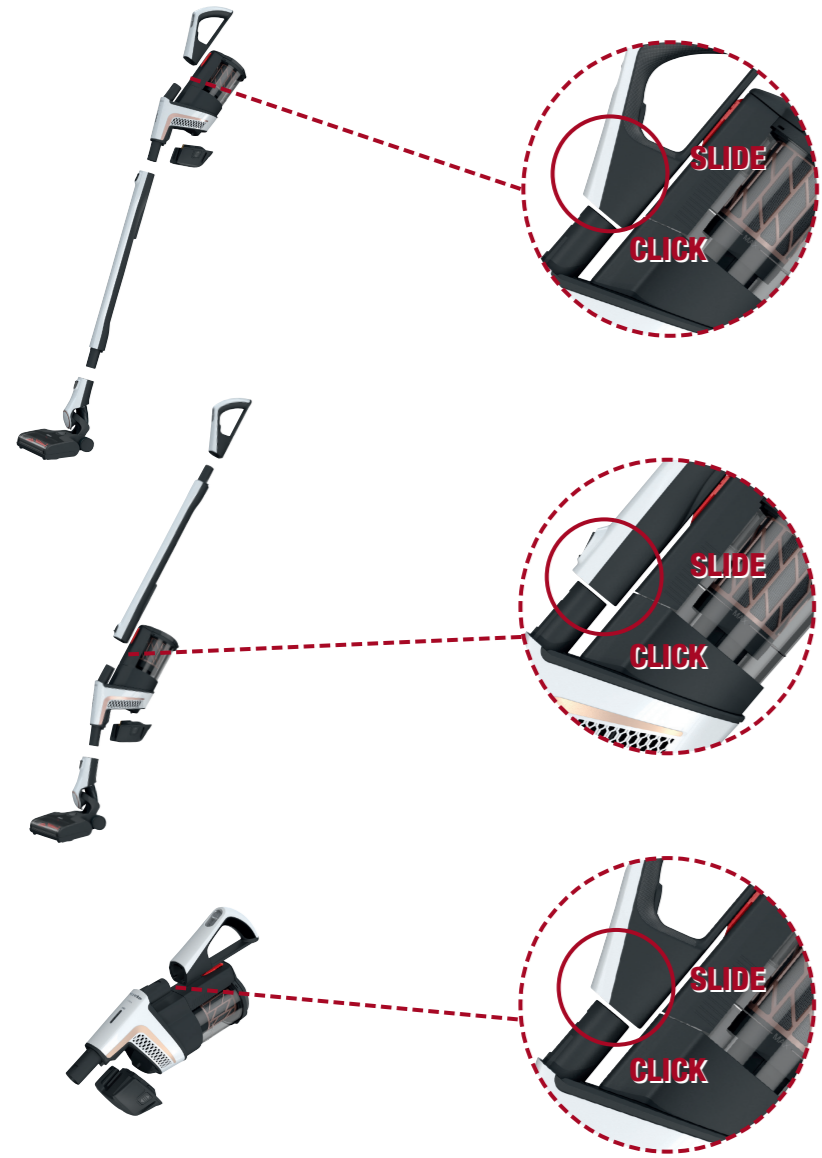


These short instructions are not a substitute for the operating instructions supplied with the machine. Please read the operating instruction manual and pay particular attention to the Warning and Safety instructions.

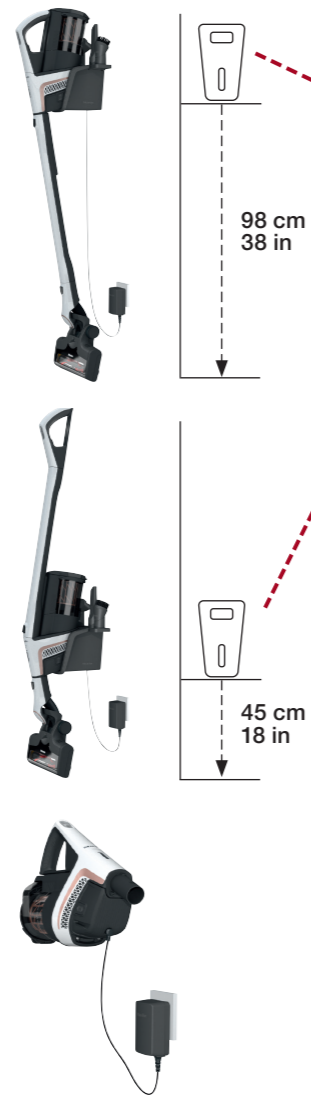
M.-Nr. 11987370

1. Installation

1.1 Assembly



1.2 Wall mount



1.3 Assembly

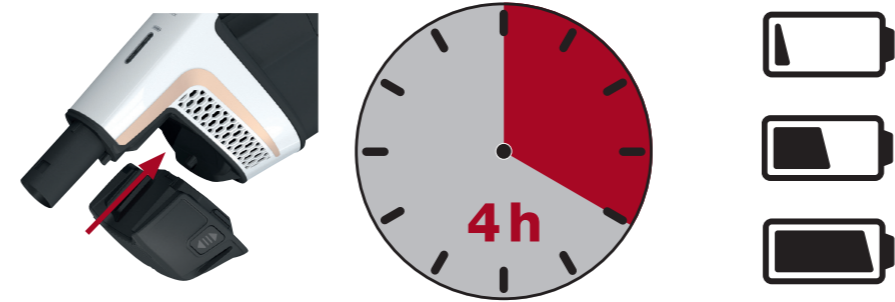


1.4 Accessory holder



2. Operation

2.1 Initial activation by charging the battery in the device



2.2 Power settings



- Min. Light soiling
- Eco Regular soiling
- Max. Strong soiling

3. Maintenance

3.1 Before Emptying



3.2 Emptying

