

Technical Specifications

Model	BP8029JB
--------------	----------

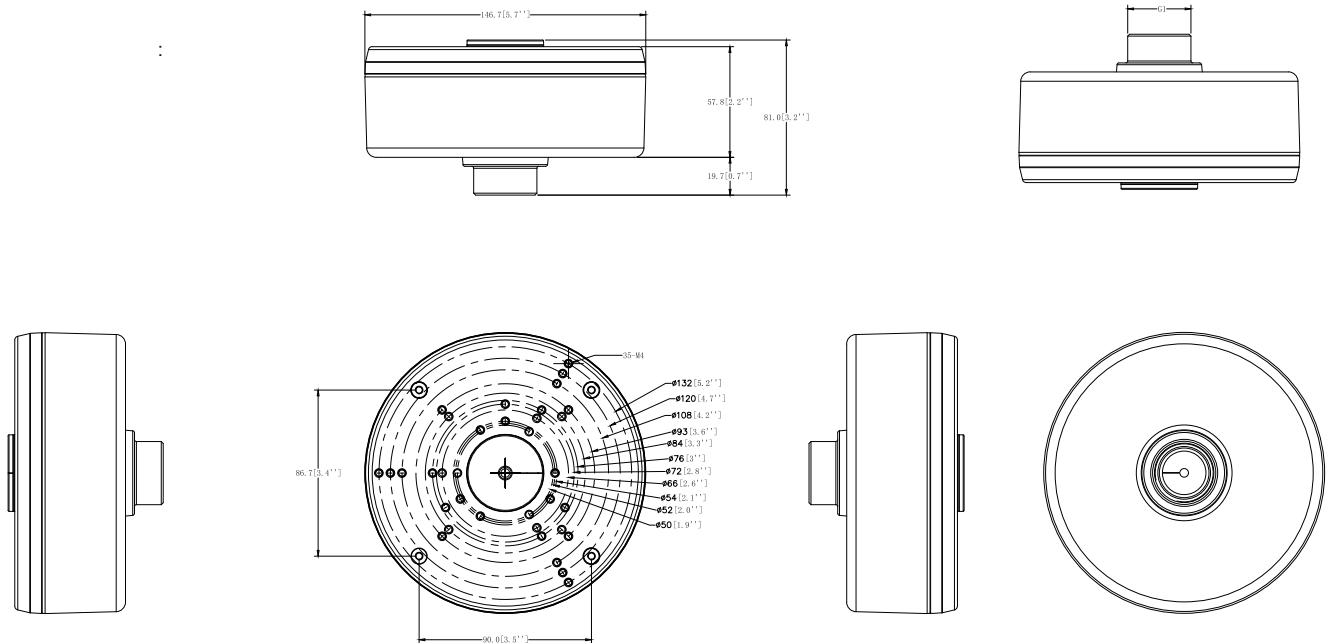
General

Material	Aluminum
Dimension	φ146mmx81mm (φ5.7"x3.2")
Weight	3.5kg (7.7lb)
Color	White
Operation temperature	-40° ~+60°(-40°~+140°)
Humidity	0~90% RH

Compatibility

BN7009H, BN7009HA, BN7019, BN7035, BN8019, BN8035, BN7029, BN8029, BN8029AI, BN7036, BN8036, BN8036AI, BN9019, BN9036, BN9036AI, BN9029AI, Must be used with BP8029WMB

Dimensions



* Specifications Are Subject to Change Without Notice.