

Technical Specifications
Model BP7029AVAIRWMB

General
Material Aluminum

Dimension Base 106,2 mm x 70,5 mm (4,1" x 2,7")

Dimension ϕ 146,7 mm x 42mm (ϕ 5.7" x 1,6")

Weight 3 kg (6,6 lb)

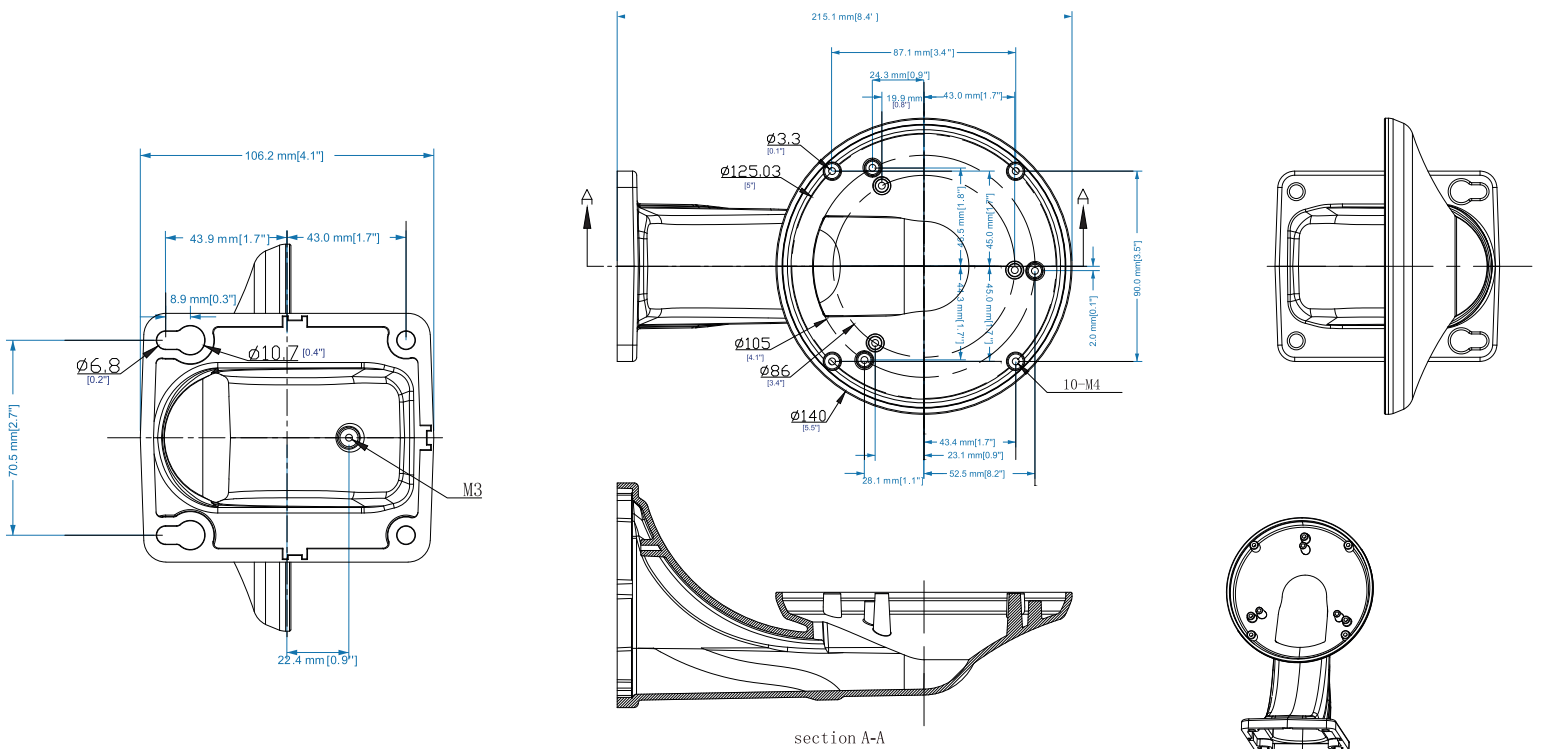
Color White

Operation temperature -40° ~+60° (-40°~+140°)

Humidity 0~90% RH

Compatibility

Wall Mount Bracket for BN8029AVAIRAI/NDAA, BN9029AVAIRAI/NDAA

Dimensions


* Specifications Are Subject to Change Without Notice.