

Camera

Image Sensor	1/2.8" Progressive Scan CMOS
Effective Pixels	2592(H) x 1520(V)
Electronic Shutter	Auto/Manual, 1/5-1/20,000s
Min. illumination	Color: 0.01Lux @(F1.5, AGC ON) B/W: 0Lux @(IR LED ON)
S/N Ratio	55dB
Day & Night	Auto(ICR) / Day / Night / Timing
Wide Dynamic Range	WDR (120dB)
IR Range	Up to 200m
Shutter Speed	1/10000-1/1s
IR On/Off Control	Auto/ Manual
IR LEDs	10pcs

Lens

Focal Length	5.3~159mm
Max. Aperture	F1.6~F4.3
Angle of View	H: 55°~2.3°
Optical Zoom	30x
Digital Zoom	16x
Focus Control	Auto/Manual

PTZ

Pan/Tilt Range	Pan: 0° ~ 360° endless, Tilt: -15° ~ +90°
Manual Control	Speed Pan: 0.1° ~ 180° /s, Tilt: 0.1° ~ 90° /s
Preset Speed	Pan: 180° /s, Tilt: 90° /s
Presets	300
PTZ Mode	6 Track, 12 Tour, 6 Scan
Speed Setup	Auto/Manual (0-8)
Power up Action	Support
Idle Motion	Activate Preset/ Scan/ Tour/ Track if there is no command in the specified period

Audio

Compression	G.711, RAW_PCM
Bit Rate	8kbps(G.711), 16kps(RAW_PCM)

Network

Protocols	IPv4/IPv6, 802.1x, HTTP, HTTPS, TCP/IP, UDP/IP, RTSP, DHCP, NTP, RTCP/RTP, PPPoE, SMTP, DNS, UPnP, FTP, ARP, SNMP
Interoperability	ONVIF, SDK, CGI
Streaming Method	Unicast
Max. User Access	10 Users
Edge Storage	NAS Local PC for instant recording Micro SD card 128GB
Web Viewer	<IE11, Chrome, Firefox



4MP



Analytics



WDR



IR

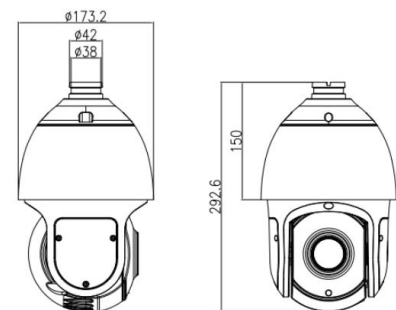


IP67



PTZ
(Pan+Tilt+Zoom)

Dimensions



Video

Compression	H.265, H.264, MJPEG
Max. Resolution	3MP(2048×1536)
Streaming Capability	3 Streams
Stream / Frame Rate	Stream1: 2048×1536/1920×1080/1280×720 @25/30fps Stream2: D1/VGA/640×360/CIF/QVGA @25/30fps Stream3: VGA/CIF/QVGA @25/30fps
Bit Rate Control	CBR/VBR
Bit Rate	Stream1: 100kbps~12Mbps Stream2: 10kbps~6Mbps Stream3: 10kbps~6Mbps
Image Enhancement	HLC / BLC / Anti-shake / Defog / WDR (120dB)
White Balance	Auto/Tungsten/Fluorescent/Daylight/Shadow/Manual
Gain Control	Auto/Manual
Noise Reduction	2D/3D DNR
Smart IR	Support
Mirror	Support
Aisle Mode	Support
Region of Interest	Off / On (8 Zone)
Motion Detection	Off / On
Privacy Masking	Off / On (4 Area, Rectangle)

Interface

Ethernet	1 Ethernet (10/100Base-T) RJ-45 Connector
Audio I/O	1ch Audio In, 1ch Audio Out
Alarm I/O	2ch Alarm In, 1ch Alarm Out
RS485	Yes
CVBS Output	Yes
Reset Button	Yes (Built-in)

Intelligence

Auto Tracking	Support
IVS	Perimeter, Single Virtual Fence, Double Virtual Fences, Loiter, Multi Loiter, Object Left, Object Removed, Abnormal Speed, Converse, Illegal Parking, Signal Bad

Electrical

Power Supply	DC12V/POE +
Power Consumption	Less than 30W
Operating Temperature	Starting Temperature: -40°C ~ 60°C (-40°F ~ 140 °F) Working Temperature: -55°C ~ 60°C (-67°F ~ 140°F)
Operating Humidity	Less than 90% RH
Protection	IP67, TVS4000V
Certifications	CE/FCC
Casing	Metal
Dimensions	Φ173.2×292.6mm (φ6.82×11.52 inch)
Net Weight	3.1Kg

Accessory



INCLUDE
Wall Bracket
BE-Wall



Ceiling Bracket
BE-Ceiling



Corner Mount
BE-Corner



Pole Mount
BE-Pole

* Specifications Are Subject to Change Without Notice.