

Technical Specifications

Model BE-JBPOE/DB

Network

Interfaces	LAN: 2* RJ45 ,10/100M PoE WAN: 1*RJ45 ,10/100M PoE
LED	N/A
Network management	N/A
IEEE Standard	IEEE 802.3
MAC	3
Uplink port rate	100M
Downlink port rate	100M
Exchange capacity	1Gbps
Packet forwarding rate	0.744Mpps
Internal Cache	768Kbits

General

Material	Plastic and Glass fiber
Dimension Base	97 mm x 181,7 mm (3,82 " x 7,15")
Dimension	314,35 mm x 160,35 (12,38" x 6,31 ")
Weight	4 kg (8,8 lb)
Color	White
Installation method	Wall mounting and Lifting
Dimension (WxDxH)	240*120* 70mm
Operating Temperature/Humidity	Temperature : -30°C~+60°C Humidity : Less than 90%RH
Storage Temperature/Humidity	Temperature : -40°C~+85°C Humidity : Less than 90%RH

POE

Power Specifications	POE 30W
RJ45	4KV
Lightning Protection	4KV

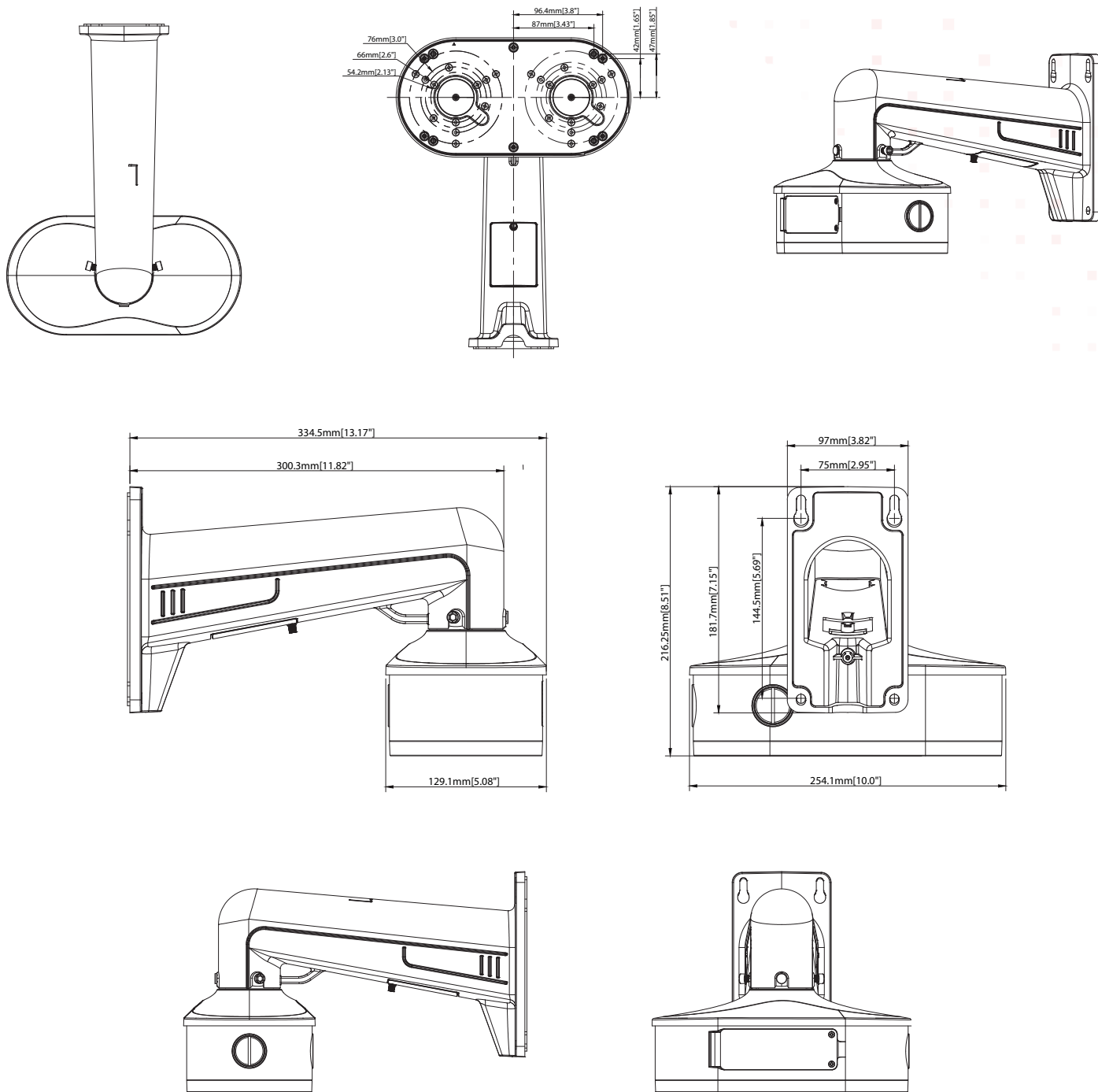
Compatibility

Dual- Camera Junction Box with Built-in POE Switch for BN8037AI/NDAA, BN8019/NDAA, BN9029AVAIRAI/NDAA, BN8029AVAIRAI/NDAA



* Specifications Are Subject to Change Without Notice.

Dimensions



* Specifications Are Subject to Change Without Notice.