

**Technical Specifications**

**Model** BE-JBPOE/DD

**Network**

**Interfaces** LAN: 2\* RJ45 ,10/100M PoE | WAN: 1\*RJ45 ,10/100M PoE  
**IEEE Standard** IEEE 802.3  
**MAC** 3  
**Uplink port rate** 100M  
**Downlink port rate** 100M  
**Exchange capacity** 1Gbps  
**Packet forwarding rate** 0.744Mpps  
**Internal Cache** 768Kbits

**General**

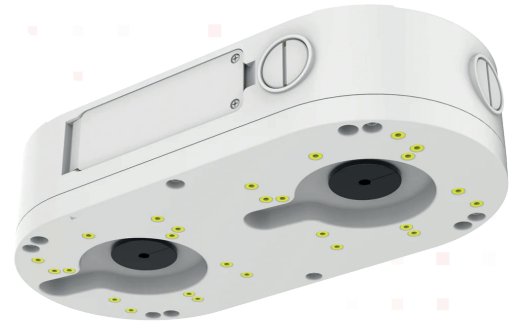
**Material** PA66+30%GF, IP66  
**Dimension Base** 97 mm x 181,7 mm (3,82 " x 7,15")  
**Dimension** 314,35 mm x 160,35 (12,38" x 6,31 ")  
**Weight** 4 kg (8,8 lb)  
**Color** White  
**Installation method** wall-mounted/ceiling-mounted  
**Dimension (WxDxH)** 310\*156\* 70  
**Operating Temperature/Humidity** Temperature : -30°C~+60°C / Humidity : Less than 90%RH  
**Storage Temperature/Humidity** Temperature : -40°C~+85°C / Humidity : Less than 90%RH  
**Surge protection** 4KV

**POE**

**POE standard** IEEE 802.3at/af (LAN: each port Max 15W , WAN:Max 30W)  
**Switch power consumption** 5W

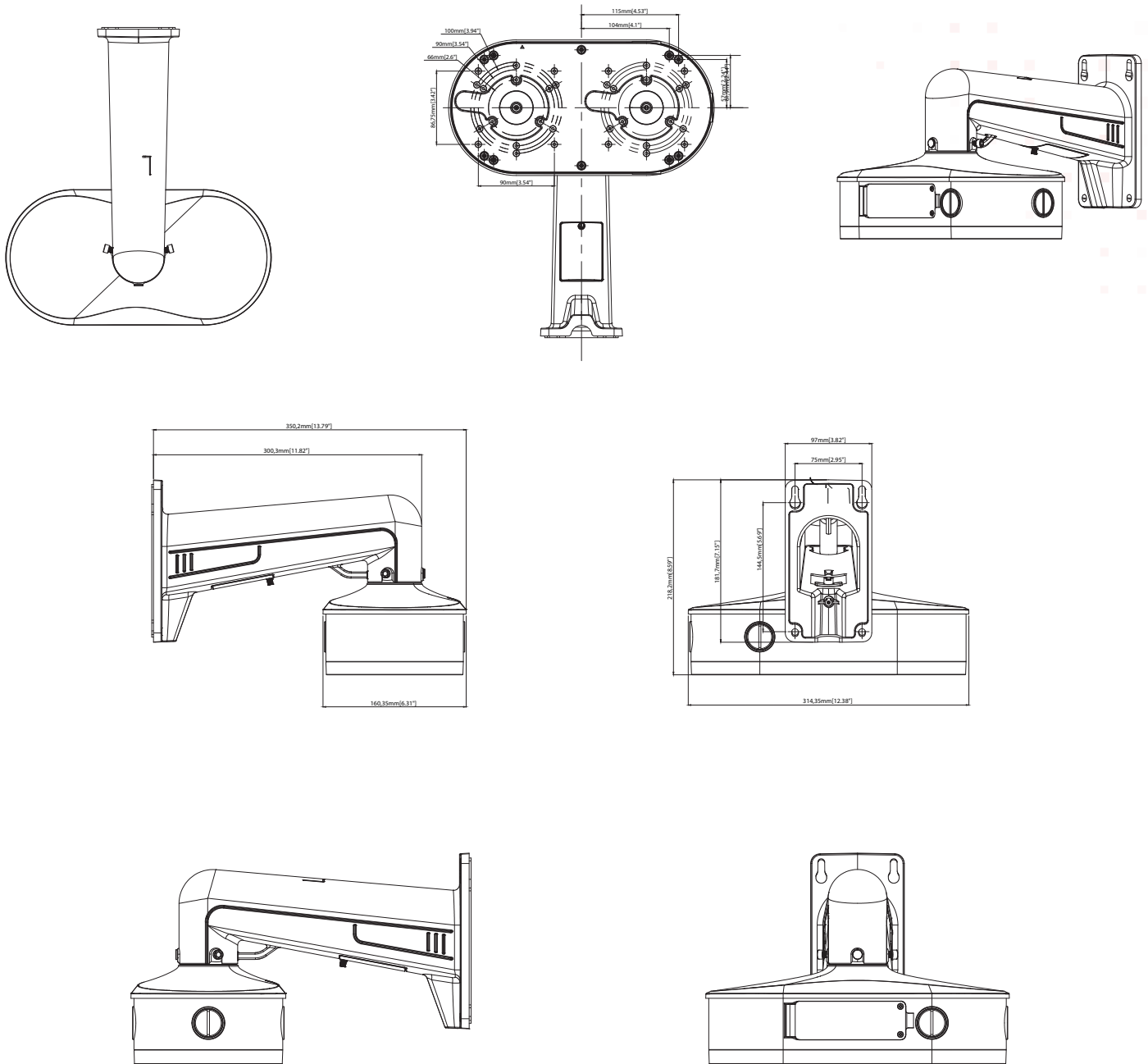
**Compatibility**

Dual- Camera Junction Box with Built-in POE Switch for BN8037AI/NDAA, BN8019/NDAA, BN9029AVAIRAI/NDAA, BN8029AVAIRAI/NDAA



\* Specifications Are Subject to Change Without Notice.

**Dimensions**



\* Specifications Are Subject to Change Without Notice.