

## CAUTION

Do not expose to sunlight to avoid product deformation

Do not use the dispenser rudely, it will damage the product.

Please clean the product regularly.

Do not rinse with water, it will damage the product.

Do not drop or hit the product on purpose.

Do not use strong corrosive chemical solvents to clean the product, which will damage and deform the product surface.

Never dismantle, repair, modify, etc. without permission.

For repairs, please DO NOT allow the dust to enter into the soap bottle, the pump may be blocked. If you find that the inside of the bottle is dirty, please consult with our customer service.

Do not pour corrosive chemicals, etc.

Keep away from fire.

Please replace the batteries when less liquid output.

Please be careful when you use the sope dispenser, avoid injuries from the stand bracket falling.

## CERTIFICATE OF CONFORMITY

TEST RESULTS \_\_\_\_\_

PRODUCTION DATE \_\_\_\_\_

INSPECTION DATE \_\_\_\_\_

INSPECTORS \_\_\_\_\_

## WARRANTY CARD

PURCHASE DATE \_\_\_\_\_

PURCHASE STOR \_\_\_\_\_

TICKET NUMBER \_\_\_\_\_

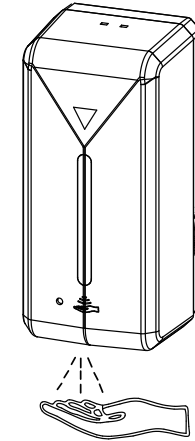
ADDRESS \_\_\_\_\_

PHONE \_\_\_\_\_



# USER MANUAL

## Automatic Hand Sanitizer Dispenser



Please read user manual carefully before using

## INSTRUCTIONS FOR USE:

Thank you very much for choosing this automatic soap dispenser. The product adopts infrared sensor, magnetic contact switch, combined with the streamlined smart appearance, and realizes the humanized use function.

Please read the instruction carefully before operation!

## APPLICATION:

Intelligent soap dispenser with widely used: factories, hotels, restaurants, office buildings, hospitals, banks, schools, exhibitions, stadiums, airports, stations and other public places.

## FEATURE:

LED indicator light

Equipped with refillable bottles

Battery/DC adapter (not included but optional)

Visible design: check and refill the liquid timely

Outflow: 0.8~1ml/time

Sensing distance: 6-10cm

Optional pump: spray/drip/foam

Easy installation: fix with screws or screw stickers

Intelligent selection of 2 preset dosages can be adjusted

## PRODUCT WARRANTY:

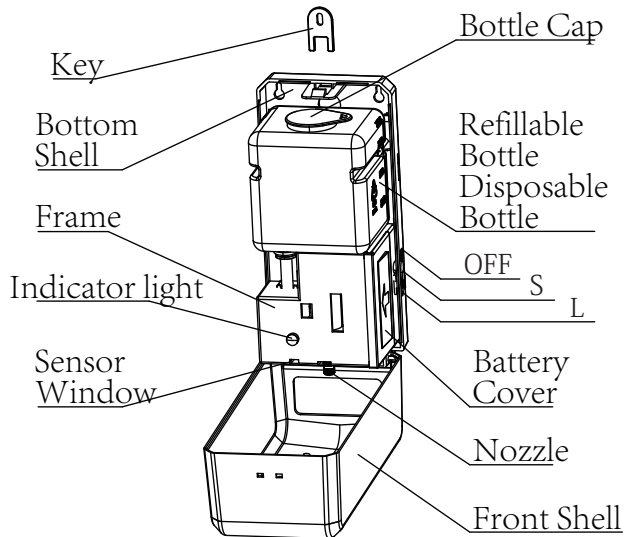
The company ensures the products shipped from the factory meet the relevant safety standards and technical requirements, which available display all functions under normal use and maintenance.

Within one year from the date of purchase, it is confirmed by our maintenance personnel that the failure is damaged due to manufacturing processes or materials, the warranty for free.

For one of the following reasons, you can not enjoy the free warranty service terms of our company during the warranty period:

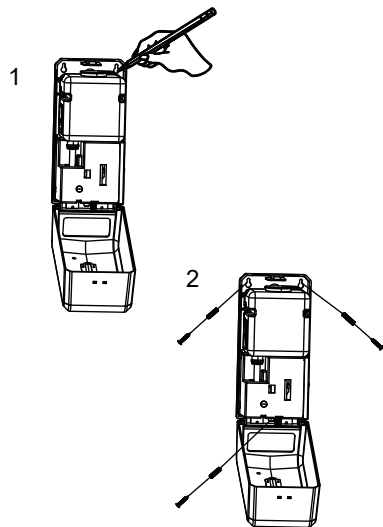
- 1.Product damage caused by incorrect use
- 2.Product damage caused by incorrect installation.
- 3.Product damage caused by customer's unauthorized modification natural disasters and man-made damage.
- 4.The company only performs product after-sales maintenance services with valid tickets and corresponding product warranty cards.
- 5.Do not expose the product to moisture or water.
- 6.Once the product is sold, do not accept any returns unless it is quality problem.

## COMPONENT PART:



- \* Different Pump for Different Liquid  
 1. Spray: Sanitizer Liquid;  
 2. Soap: Gel or Soap Liquid;  
 3. Foam: Foam Liquid

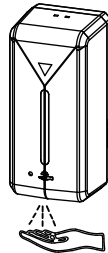
## INSTALLATION AND OPERATION:



## SPECIFICATIONS :

Model:	KW268
Pump type:	Liquid spray/Gel drip/Foam type (Optional)
Material:	ABS
Capacity:	1000ml
Power supply	Batteries( LR14 size C*4pcs)/Power adapter (DC 6V, 1A)
Installation:	Wall mounted
Outflow:	0.8-1ml / time

## LED LIGHT:



- When the dispenser is powered on and under working status, the LED flash in green color every 4 seconds.
- LED flash in red color for liquid flush.

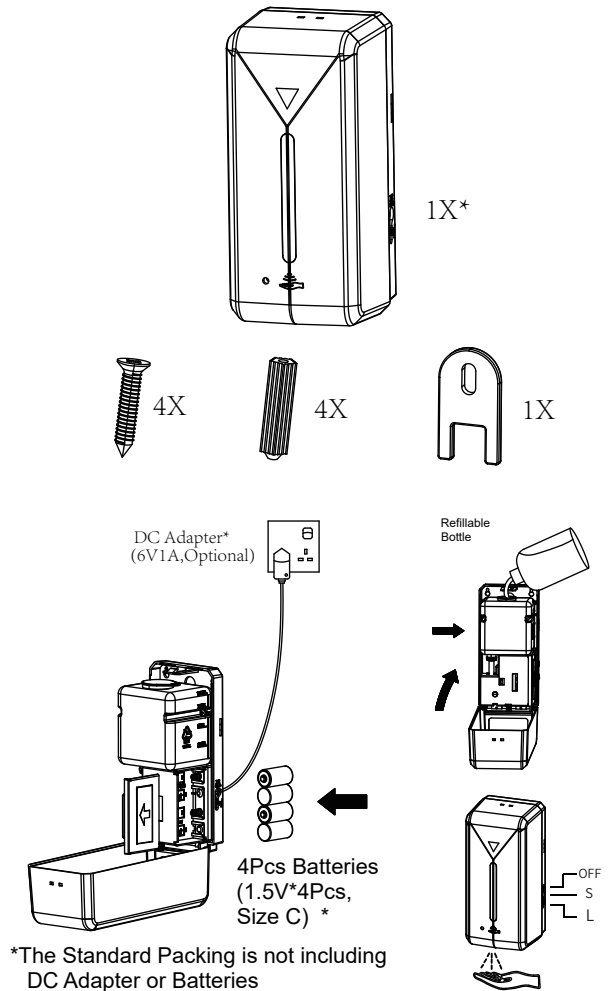
## INSTALLATION

1. Use the key to open front shell of the dispenser and put the dispenser on the wall.
2. Mark the holes position on the wall and then remove dispenser.
3. Turn on the switch to enjoy.
4. Adjust the outflow. Switch to middle position, the liquid output is smaller. Switch to bottom position can enjoy to bigger liquid output.

## OPERATION

1. Open cap of the bottle and refill with alcohol / gel / foam sanitizer
2. Installation battery / power with DC adapter  
 Battery type LR14 Size C \* 4pcs  
 Power adapter 6V 1A DC
3. Switch ON to enjoy
4. Adjust the outflow. Switch to middle position(S), the liquid output is smaller. Switch to bottom position(L) can enjoy to bigger liquid output.  
 Note: Please change battery if the nozzle outflow is getting smaller  
 Please switch to "OFF" when refilling sanitizer

## PACKING LIST:



\*The Standard Packing is not including DC Adapter or Batteries

\*Please install the soap dispenser in the back of direct sunlight.

