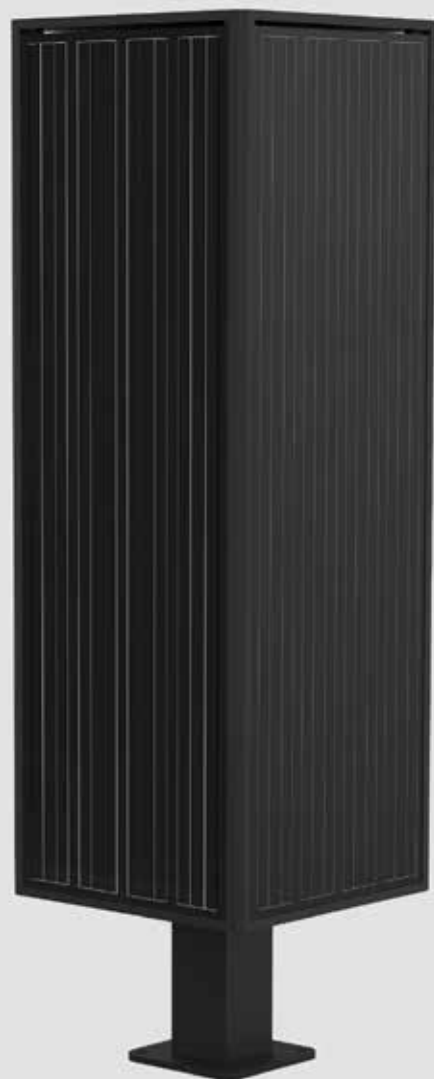


brilliance in solar lighting

photinus

Datasheet

mara



mara

BUS STOP LIGHTING

USE

The mara is a self-sufficient, solar-powered LED lighting solution with a very secure supply even in critical weather regions. It is used where there is no electricity supply or where it is economically not viable to implement such a supply. The mara is suitable in particular for exposed locations such as bus stops, subways, bicycle parking spots, carports, entrance areas etc.

Due to the cubic aluminium construction with 4 photinus High Performance photovoltaic modules, sufficient energy can be generated in a targeted manner via the diffuse light component especially in regions with poor weather (snow, fog, etc.). The vertically arranged modules prevent snow from accumulating on it in winter. A sophisticated energy management system guarantees secure functionality even in poor weather conditions.

FUNCTION

The robust and weatherproof energy column is fixed in a manner next to, or on top of the object to be illuminated such that no shadows are left. Due to the solar module being present on all 4 sides there is no need to orient the apparatus to the south. The integrated battery is loaded as far as possible during daylight hours. The Fosilum lights contained in the set guarantee brilliant LED lighting and optimal light distribution for visibility and safety.

SET CONSISTS OF

- Photovoltaic energy column with 4 photinus High Performance solar modules, intelligent controller and a flange connection for external assembly.
- LED light IP 65 (ready to assemble)
- 7 m connection cable with plug for easy connection

GUARANTEE

3 years

The warranty of the solar illumination is provided, as far as the illumination is installed like described in the installation instructions. The warranty is void, if the product settings haven't been changed by photinus authorized employees/partners and/or using non-photinus approved tools.

SOLAR LIGHT		mara
SOLAR MODULES		
Solar module	monocrystalline silicon cells with exceptional efficiency specially processed by photonus.	
Efficiency	20%	
Max. performance of the energy column Pmpp	108 Wp / 4 solar modules Modules are also loaded up in cloudy conditions.	
Protection class	IK06	
BATTERY IN THE POLE		
Battery	LiFeP04 / 512 Wh (12,8 V 40Ah)	
Operating temperature	-40°C to +85°C	
Battery life	up to 10 years	
Protection class	IP65	
LIGHTS		
Max. luminous flux	Depending on the location where the light is staying. <u>Location: Luminous flux / autonomy time / normal mode / smart mode</u> 52. degrees lat. (Amsterdam): 8 W, 1380 lm / V5 / 8 days / 12 days 47. degrees lat. (Munich): 9 W, 1400 lm / V5 / 6 days / 9 days 40. degrees lat. (Madrid): 22 W, 3790 lm / V5 / 3 days / 5 days	
LED Effizienz	160lm/W at 600mAh	
Voltage	24 V	
Electricity	max. 1 A	
Colour temperature	6000K	
Light band / strip length	950 mm	
MATERIALS		
Metal parts	powder-coated aluminium „Sparkling iron effect dark“	
Cover panel	Cover transparent (the light is highly scattered and glare-free)	

Technical changes reserved!

DIMENSIONS	
Solar tower	714 mm x 250 mm x 250 mm
Mounting flange connection	120 mm x 120 mm
Total height	908 mm
LED Aluminium groin	L 1000 mm / R 17 mm
Weight total	27 kg

Salt spray test (ISO 9227:2012)

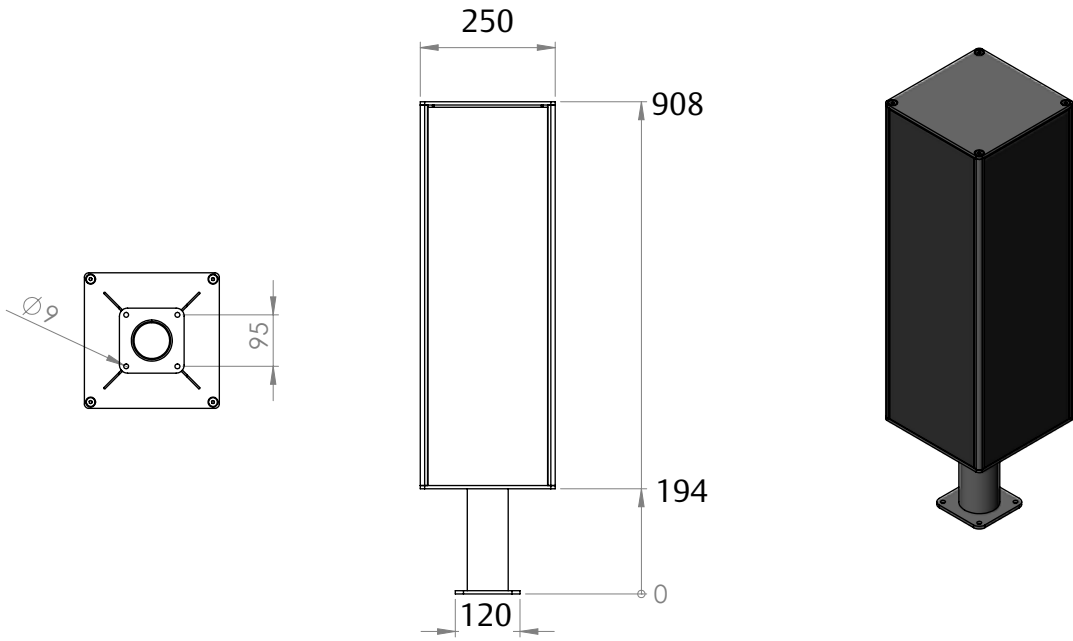
Corrosion test in artificial atmosphere - salt spray test (ISO 9227:2012)

All solar lights have successfully passed the salt spray test.

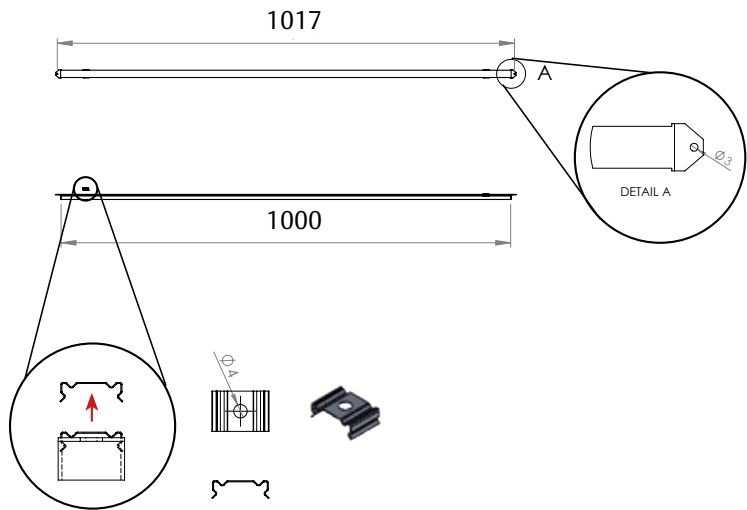
Details



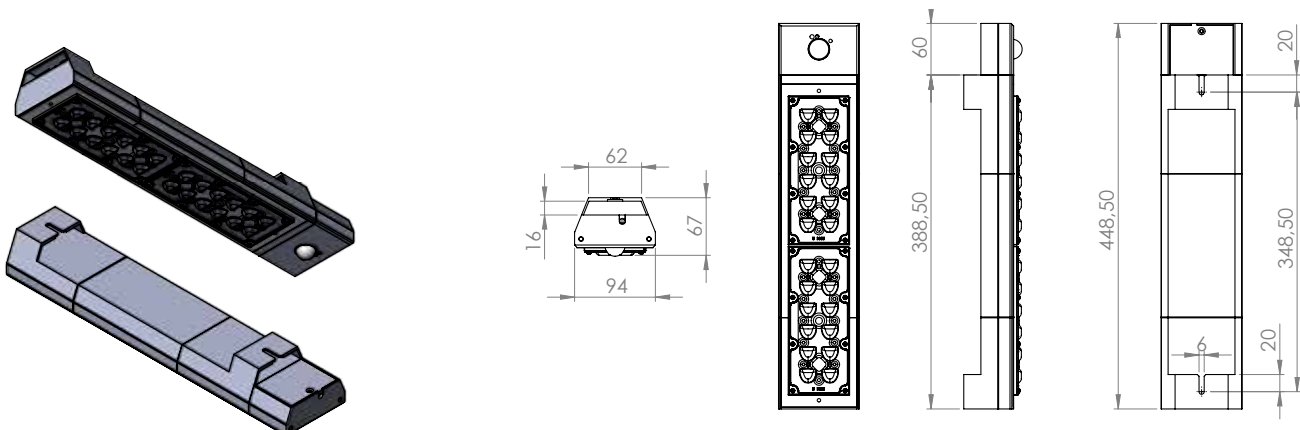
Dimensions



LED bar as a built-in variant (standard)

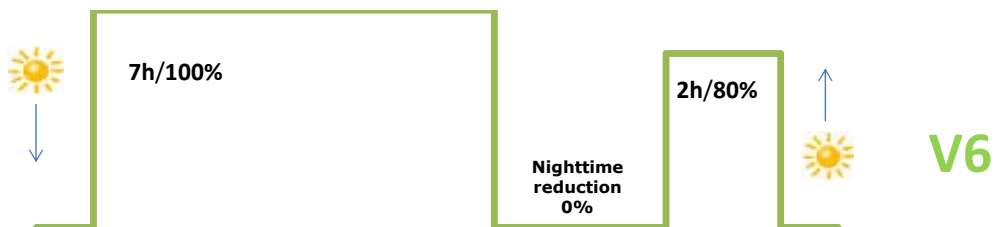
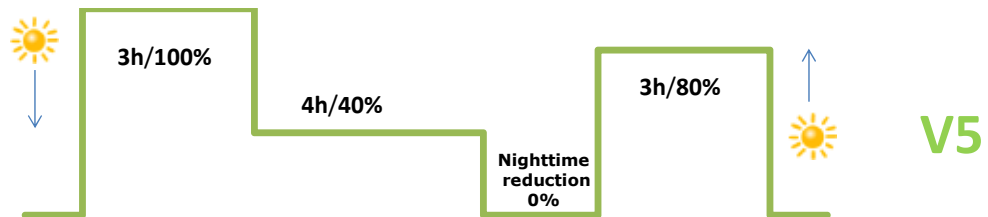
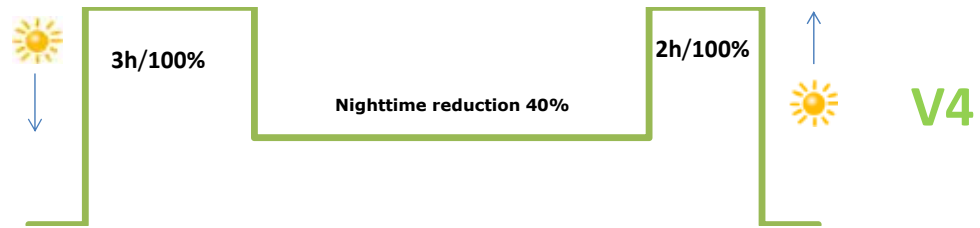
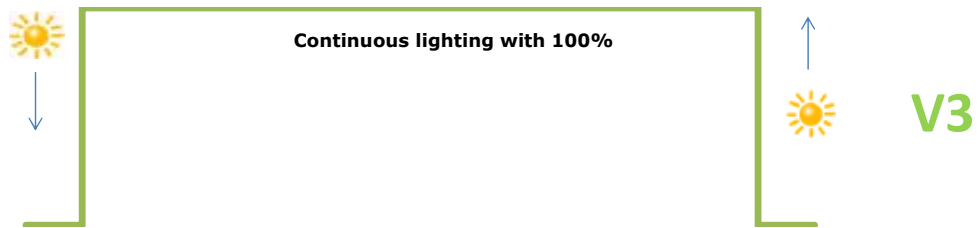


LED bar as a complete light housing (optional)



ENERGY AND TIME MANAGEMENT

Standard factory setting V5



References

mara
Bus stops Fulda / DE



mara
Bus stops Fulda / DE

mara
Bus stop / AT



References

mara

Bus stop Wohlen / CH



mara (optional light housing)
Bus stop Oberursel / DE

mara

Bus stop / CH

