



**SRESKY**  
SINCE 2004

**SLL-31/31H**

SOLAR LANDSCAPE LIGHT



# INTRODUCTION

Product specifications

01 FRONT COVER

02 CATALOG

03  
~  
04 MAIN  
ADVANTAGES

05  
~  
06 OTHER  
ADVANTAGES

07 SPECIFICATIONS

08 EXPLODED VIEW

09 OPTICAL  
FIGURE

10 DIMENTION  
FIGURE

11 LIGHT POLE  
DIAGRAM

12 MORE DETAILS

13 CORE  
TECHNOLOGY

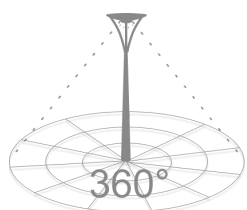
14 INSTALLATION  
INSTRUCTIONS

15 PACKAGE DETAIL

16 APPLICATION



SOLAR LANDSCAPE LIGHT



## More Brighter, More Durable

360°lighting  
Decoration and Lighting All In One  
SLL-31/31H

# Product Advantage

ALS Technology Guarantees 10 Continuous Working Nights  
TCS Technology Ensures Longer Battery Lifespan

SLL-31/31H

2 PIR Motion Sensor  
Sensing Angle  $120^{\circ} * 2$



## SLL-31



Working Well In 0°C ~ 45°C

## SLL-31H



### TCS Technology

Battery Protection For Light  
Working Well In  $-20^{\circ}\text{C} \sim 60^{\circ}\text{C}$



60°C



-20°C

<b>Item :</b>	SLL-31	SLL-31H
Light Brightness	3000 Lumens	3000 Lumens
<b>Solar panel</b>		
Power	Monocrystalline , 16.2V/18.75W	Monocrystalline , 16.2V/18.75W
<b>Li-ion battery</b>		
Capacity	3.7V115.44WH 2.6AH/PC	3.7V115.44WH 2.6AH/PC
Charging/Discharging Temp	0~45°C	-20~60°C
Charging Time	7H	7H
LED (OSRAM)	3030 42pcs	3030 42pcs
Color Temp	4000K , Ra 80+	4000K , Ra 80+
Efficiency	190lm/W	190lm/W
UV LED	-	-
<b>Performance</b>		
Lighting Time in Rainyday	>10 days	>10 days
Control Mode	Button Switch , ON/OFF Long Press 1.5s	
Lighting Mode(Remote Control)	M1 : 15% + PIR ( ALS2.4), M2 : 30% 5h + 15% Till dawn (PIR ALS2.4) M3 : 35% Till dawn	M1 : 15% + PIR ( ALS2.4), M2 : 30% 5h + 15% Till dawn (PIR ALS2.4) M3 : 35% Till dawn
Mode Indication	M1: Red / M2: Green / M3: Orange , The mode indicator will change to the battery indicator after 5 seconds	
Capacity Indication	Green Light : ≥70% Orange Light : 30%~70% Red Light : <30%	Green Light : ≥70% Orange Light : 30%~70% Red Light : <30%
PIR	120° , > 5m	120° , > 5m
Core technology	ALS2.4	ALS2.4 / TCS1.0
Solar Panel Autoclean	-	-
IP/IK Class	IP65	IP65
Install Height	3M-3.5M	3M-3.5M



Solar Panel



Product Shell



Led Plate



Optical Lens



Battery Pack



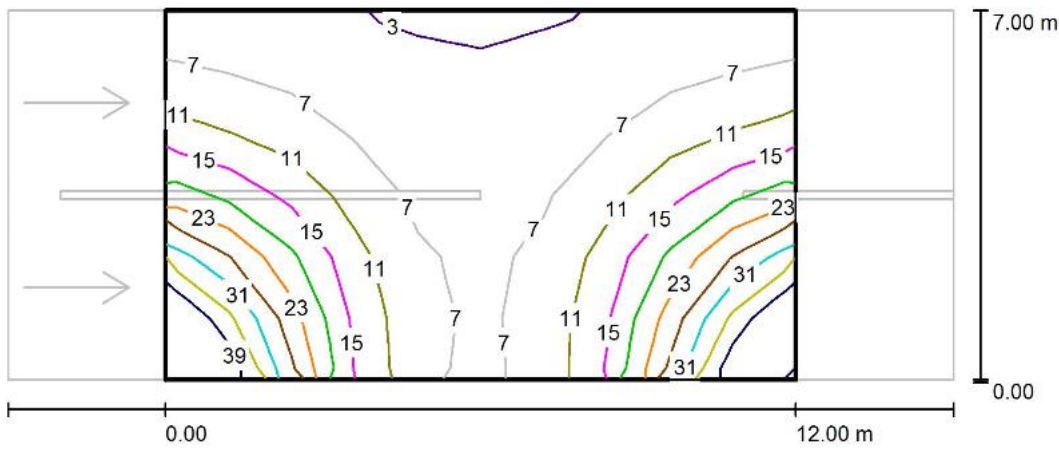
Control Module



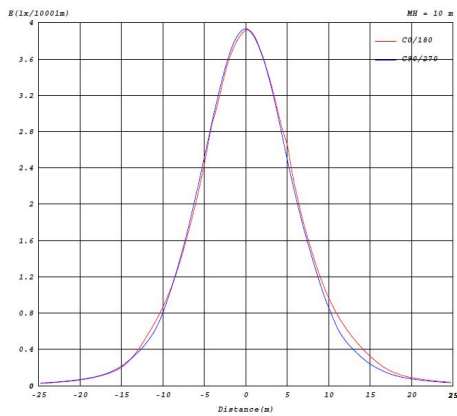
Bracket



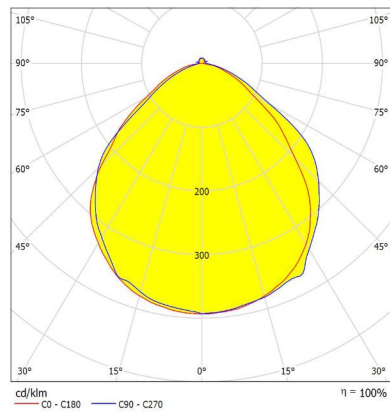
Road Simulated Diagram

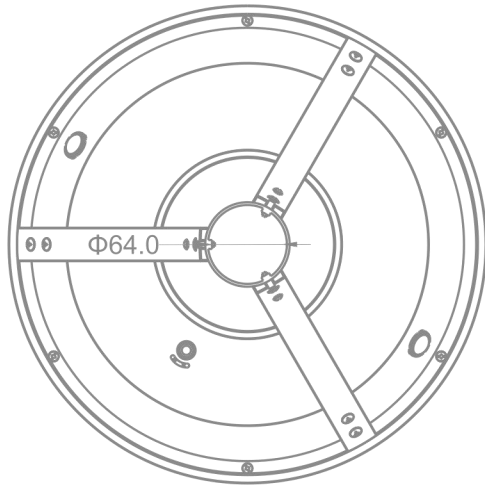
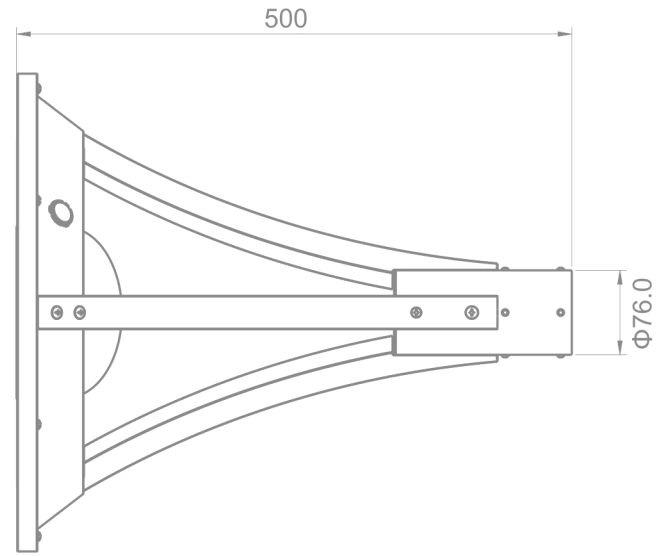
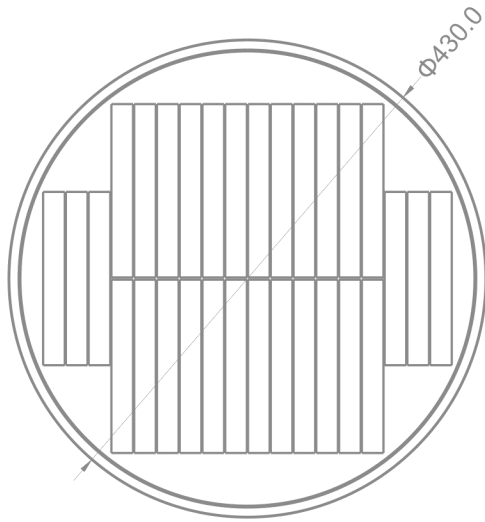


Illumination Curve



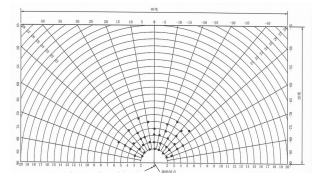
Luminance Distribution



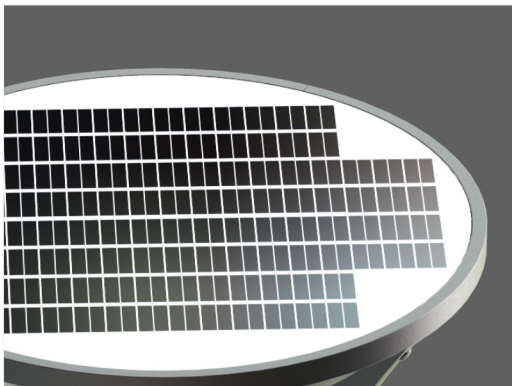




### Detail Benefits



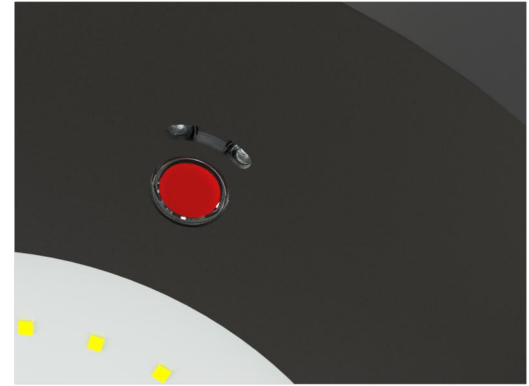
PIR induction test



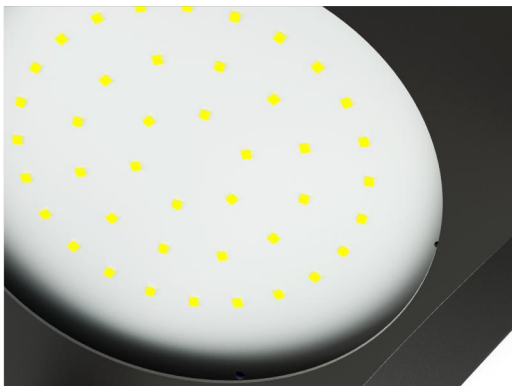
Solar Charging Efficiency :>21%



Bracket



Indicator  
IR Receiver  
Switch



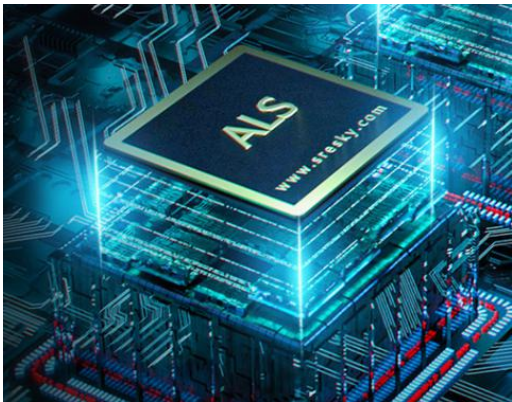
High lumen LEDs 190lm/W  
Large Lamp Shade  $\Phi$  115mm



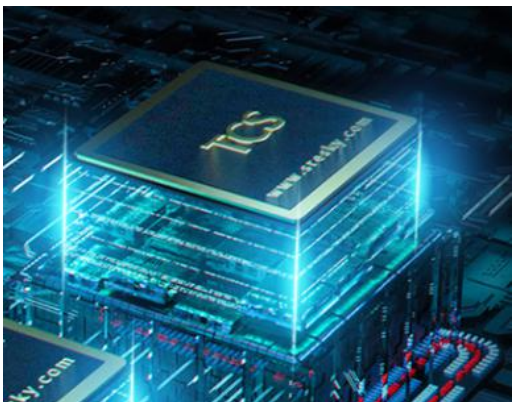
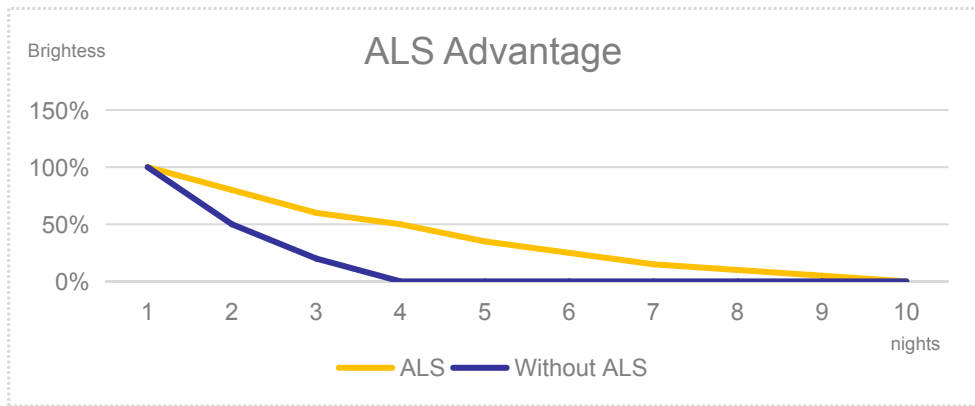
PIR : >5m, 120°



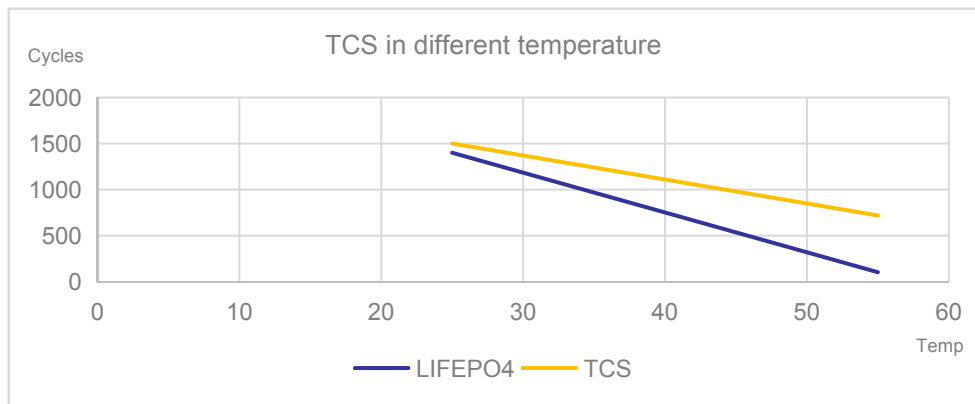
A Great Company should always pay the highest attention to the every detail design , and the craftsmanship spirit should be filled in the whole design process and mass production.



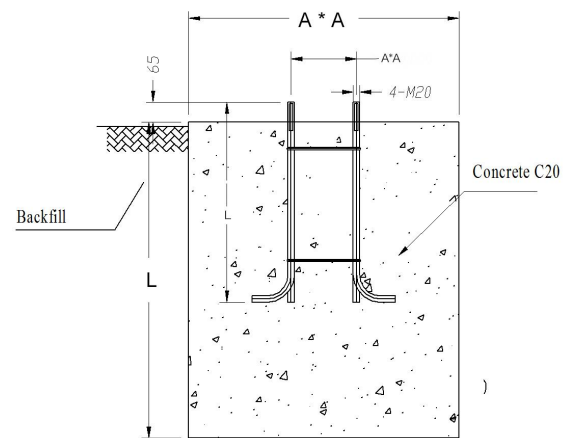
ADVANTAGE OF ALS



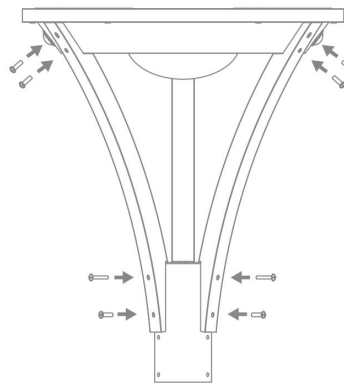
ADVANTAGE OF TCS



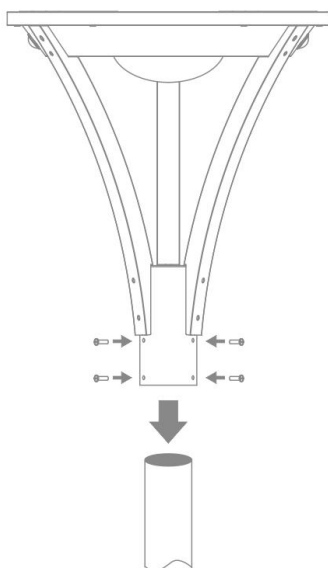
- 1 Dig a hole according to the size of the foundation cage, put the foundation cage into the hole and fix it with concrete C20.



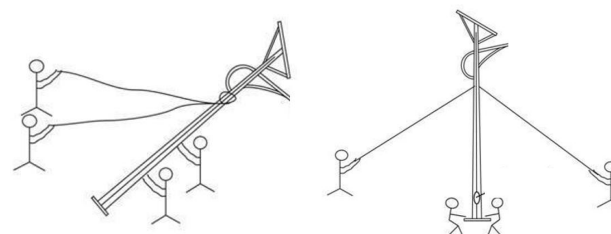
- 2 Use the supplied screws to fix the bracket on the lamp.



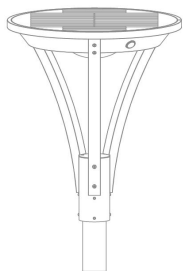
- 3 Use the supplied screws to fix the lamp on the pole.



- 4 Lift the lamp pole by the person or machine, align the bottom flange of the lamp pole with the foundation cage, and then fix the lamp pole with screws.



PRODUCT LIST  
SOLAR LIGHT : 1 PC



INNER BOX  
1 PC / 1 BOX



COLOR BOX

PRODUCT LIST

STEP 1

STEP 2

STEP 3

STEP 4

MODEL NO.	PCS/CTN	QTY(PCS)	CTN QTY	CARTON SIZE(MM)	N.W.(KG)	G.W.(KG)
SLL-31	1	1	1	505*160*500		

Net weight and gross weight  
are for reference only

S / O / L / A / R / L / I / G / H / T

THANKS  
VERY  
MUCH