

# AITHENA

SOLAR LED  
PEDESTRIAN  
LIGHT



# ATHENA

SOLAR LED  
PEDESTRIAN  
LIGHT

MR. auroras

Lumens 2800



**LifePO4 Battery**  
long lifetime,  
3000 cycles DOD 70%



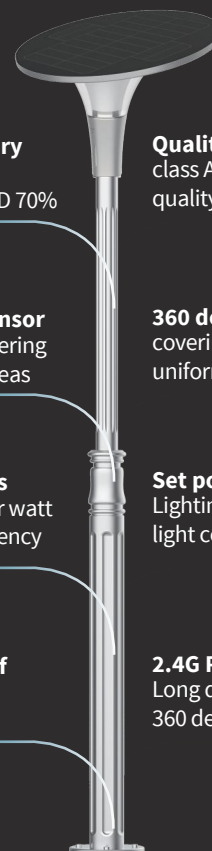
**Microwave sensor**  
360 degree covering  
Covering big areas



**High luminous**  
up to 180lm per watt  
ultra high efficiency



**Weather proof**  
IP65 level  
Outdoor using



**Quality finishing**  
class A components  
quality guaranteed



**360 degree lighting**  
covering more area  
uniform lighting output



**Set powers & CCT**  
Lighting power and  
light color is adjustable



**2.4G Remote control**  
Long distance operation  
360 degree signal





## Introduction

---

Our backyards and gardens are places of relaxation and close to our heart, and with the same passion we present Athena as the most advanced solar garden light for your nature friendly living. Athena solar garden light efficiently illuminates your recreational living areas, gardens, and pathways with 360-degree beam, glare-free lighting in solar energy, and stand-alone off-grid functioning. Athena is aesthetically designed for comfortable living but elegant styling suitable for home and hospitality applications with zero operational costs.

Designed with a simplified cosmetic appearance, Athena is a great combination with the latest technology of lithium battery, solar panel, and smart control system. High-efficiency 42W solar panel and MPPT solar charge controllers are adopted to ensure sufficient electrical power could be generated every day to ensure the luminaire work stably without blackout all year round.

With the built-in lighting programs, the lighting power and working time could be easily adjusted as required via the remote control. The light can also work in motion detecting mode which will help to save more energy. Athena is a suitable solar pedestrian light to work perfectly no matter in gulf countries with 5.5 hours of valid sunshine or in north Europe with 2.5 hours of valid sunshine.

Athena solar garden light is highly customizable via the remote control in terms of color temperatures, lighting power and working time to match the garden atmosphere. Auroras's decade of experience in solar lighting technologies makes athena as the perfect choice for home users and project customers, contributing to the green energy and reduce carbon footprints.

### Designing Concept



Athena solar garden light is designed with an aesthetic appearance, simple slim curvy with modern look.

### Quality Positioning



Especially designed for high-end customers with stable quality, smooth and fine workmanship, perfect after-sales support.

### Multi-Function



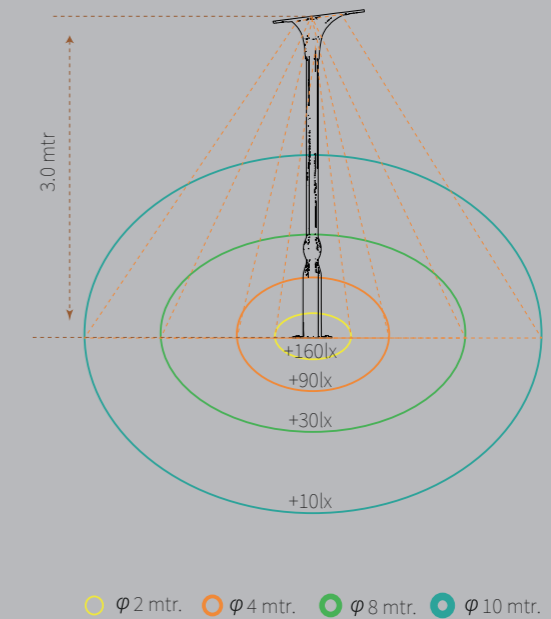
Users can customize the lighting program freely as needed, support lighting up at day time especially.

## Product Specifications

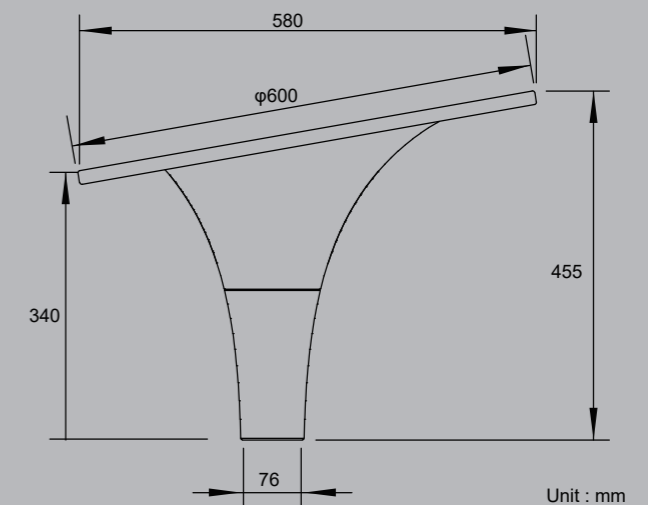
MODEL NO - ATHENA AI-GL600R	
Rated Power	18W max
LED Type	Philips Lumileds SMD3030 128 Pcs Multichip Technology
LED Efficiency	160lm/W
Luminous Flux	>2800lm
CCT Range	3000K- 6000K
Color Rendering Index CRI	>80
Beam Angle	120°
LED Life	60000 hrs.
Battery Pack Data - 154Wh	
Nominal Battery Voltage	12.8V
Battery Type	LiFePo4 Lithium Iron Phosphate
Capacity (Ah) @ C10	12Ah
Nominal Energy	≥154Wh
Charging current	10A max
Discharging current	10A max
Battery autonomy	1 day working plus 2-days backup 3-5 days in motion detection mode
Working temperature	-20°C to +70°C
Battery Protection	Battery Management System (BMS Protection)
Cycle Life	≥3000 (21A charge/discharge with 50%DOD at 25°C, and residual capacity≥80% Normal capacity.)
Battery life	8 years above
Warranty	3 Years
Charge Controller - 10mps/12V	
System voltage	12V
Load maximum power	30W/12V;
Maximum solar input power	60W/18V Selected solar power 42Wp
Maximum charging current	5.5A
Controller Type	MPPT

Over-discharge voltage	11V
Warranty	3 Years
Solar Module Data - 42Wp	
Maximum Power Pmax(W)	42 Wp
Numbers of cells	36 cells
Open Circuit Voltage (Voc)	21.6 V
Short Circuit Current (Isc)	2.56 A
Maximum Power Voltage (Vmp)	18 V
Maximum Power Current (Imp)	2.33 A
Module Efficiency (%)	17.20%
Solar Cell Efficiency (%)	20.60%
Operating Temperature (°C)	-40°C to +85°C
Module Fire Performance	CLASS C (IEC 61730)
Power Tolerance (%)	± 3%
Operation Period	12 hrs daily auto dimming control
Control Method	Automatic dusk to dawn with Time Control / Manual ON-OFF
Lighting Modes	Constant lighting with fixed power or 30% + 100% motion detection mode
Environmental Data	
Working Temp.	-20 °C ~ 70 °C
Fixture IP	IP65
Cooling	Conventional
Light Fixture Material	Polycarbonate + aluminium
Relative Humidity (RH)	10%-95%
Mechanical Data	
Product Finish	Silver / Black
N.W/Light	12.20kg
G.W/Light	13.50kg
Light Dimensions	D580*435mm
Pole diameter to fit	φ76mm

## Light Distribution



## Product Dimensions



## ALUMINIUM DIE CASTING

High-end surface treatment on aluminium body, no possibility to get about rust or oxidation even after long-term use, Always maintain the original color as brand new appearance.

## MILKY DIFFUSER

Up to 93% high light transmittance diffuser enable the light output with more uniform and soft performance without glare and more elegant.

## LED TECHNOLOGY

180lm/Watts high luminous efficiency, Color temperature is changeable between 3000K and 6000K ( or 4000K), brightness is adjustable between 20%~100% freely as required. Aluminum heat sink can help LED to maintain high lighting efficiency by keeping led working under 60 degrees and extends the lifetime of LED chip greatly..

## DRAINAGE HOLES

With professional design of the structure, water will leak out from these drainage holes even if rainwater enters the interior of the lamp body, it will not affect the light performance at all.

## MONOCRYSTALLINE PV

Efficiency 19.8% mono solar panel is equipped to generate electricity power continuously and keep the system working stably.

## LIFEPO4 BATTERY

Up to 3000 cycles D.O.D 70% lithium battery is built-in. Ensuring system running up to 8 years without any maintenance. Battery capacity : 154WH

## TRANSPARENT COVER

Strong and transparent polycarbonate cover protects the milky optics from any damage and blocks ways insects entering, keep inside of the light always neat and easy to clean

## MPPT CONTROLLER+ SENSOR

Microwave sensor is built inside, motion detection mode is available by remote control, More energy could be saved. MPPT charge controller are adopted ,30% power will be generated than using PWM controller.



## ANTI-THEFT SCREW

Special customized stainless steel 304 anti-theft screws are used, which are easy to install, stronger, and will not rust.

## 2.4G REMOTE CONTROL

2.4G remote control has a longer control distance and 360 degree signal transmission. Its functions contain to set the light power, select the color temperature and the working hours.

## 76MM DIAMETER

Suitable for pole diameter 60~76mm. Easy to fix to most sizes of poles by 2pcs of M8 screws.



Key Features ▶



Environmental Protection



Remote Setting



3000 Cycles LifePO4 Battery



LED Power Adjustable



Dual CCT Changeable



Motion Sensor Detection



Dusk to Dawn Auto ON/OFF



IP65 Waterproof



**SLL-31** Working Well In 0°C ~ 45°C

**SLL-31H** Working Well In -20°C ~ 60°C

More Brighter, More Durable  
360°lighting Decoration and Lighting All In One

Material: Aluminium alloy+PC  
Solar cell: Mono-crystalline  
Battery: Li-ion battery with 2000 lifespan  
LED: 3000Lumens  
Core technology: ALS2.4 / TCS 1.0  
Warranty: 3 years



Model type	LED power	Colour temperature	mounting height	installing distance	Luminaire net weight
SLL-31	30W	4000K	3.5m	3-3.5m	5.5kg
SLL-31H	30W	4000K	3.5m	3-3.5m	5.5kg