



SRESKY
SINCE 2004



BASALT

SOLAR STREET LIGHT



INTRODUCTION

Product specifications

01 FRONT COVER

02 CATALOG

03
~
07 MAIN
ADVANTAGES

08 OTHER
ADVANTAGES

09 SPECIFICATIONS

10 EXPLODED VIEW

11 EXPLODED
VIEW OF
BATTERY PACK

12 OPTICAL
FIGURE

13 DIMENTION
FIGURE

14 LIGHT POLE
DIAGRAM

15 MORE DETAILS

16 CORE
TECHNOLOGY

17 INSTALLATION
INSTRUCTIONS

18
~
19 PACKAGE
DETAIL

20 APPLICATION

CREATE A NEW TREND OF STREET LIGHTS

Explore endless possibilities

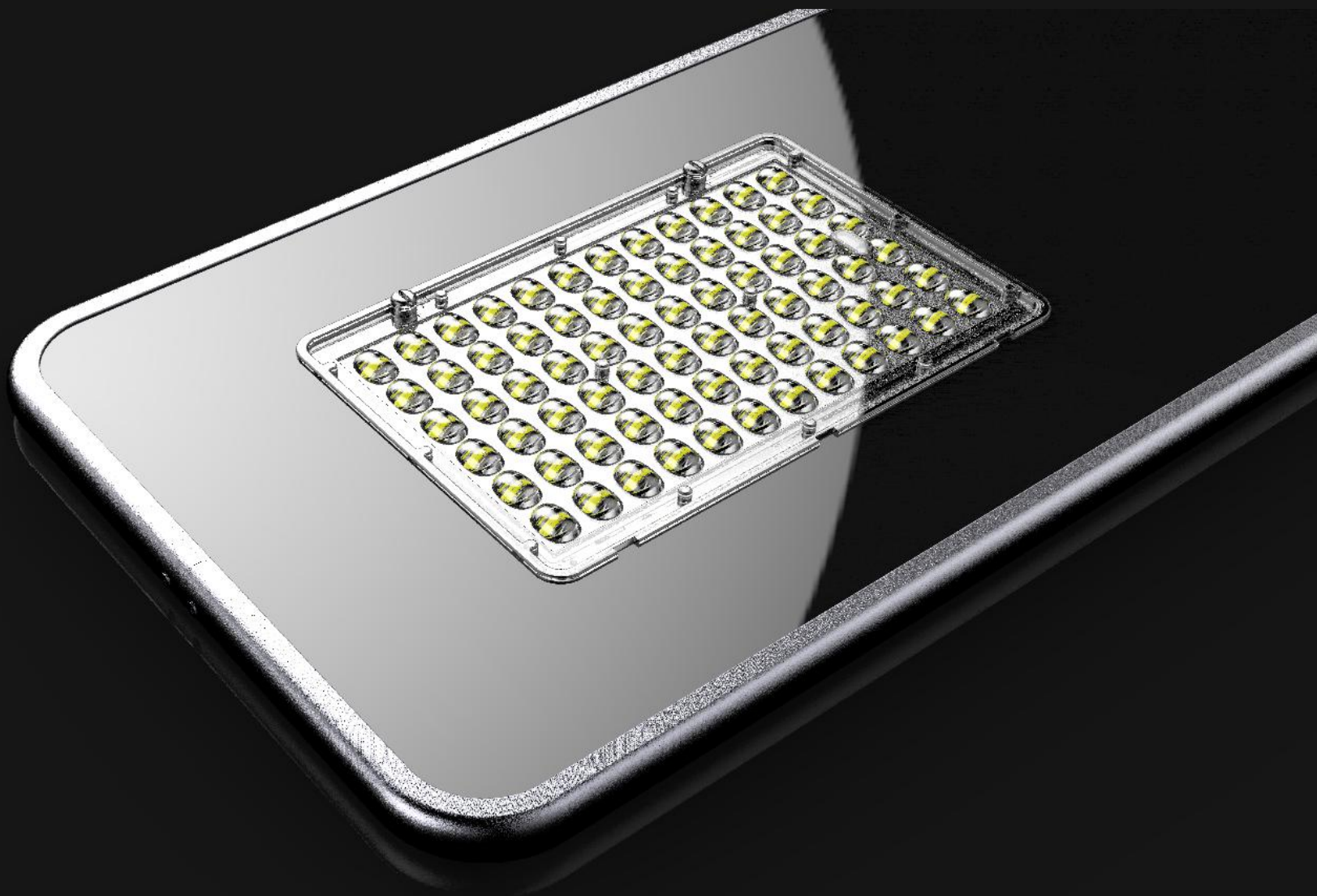


BASALT
A LAMP THAT
MAKES THE CITY
SO COOL





Integrated aluminum frame is uniformly stressed, Super breakage resistant, No fear of harsh environments



A one-piece plastic tempered glass panel gives the shell excellent structure, Strength and beauty



POWER LI-ION BATTERY

TCS technology for light can work well in High and low temperature during 0°~45°

OTHER LIGHTS HAVE, WE ALL HAVE
**ALSO WE HAVE WHAT
OTHERS DON'T**



Automatic alarm

Auto detect and alarm the damaged components



Scientific light distribution

High penetration Wide coverage



Speed ODM service

Various customized production also for small orders



ALS2.3 patented technology

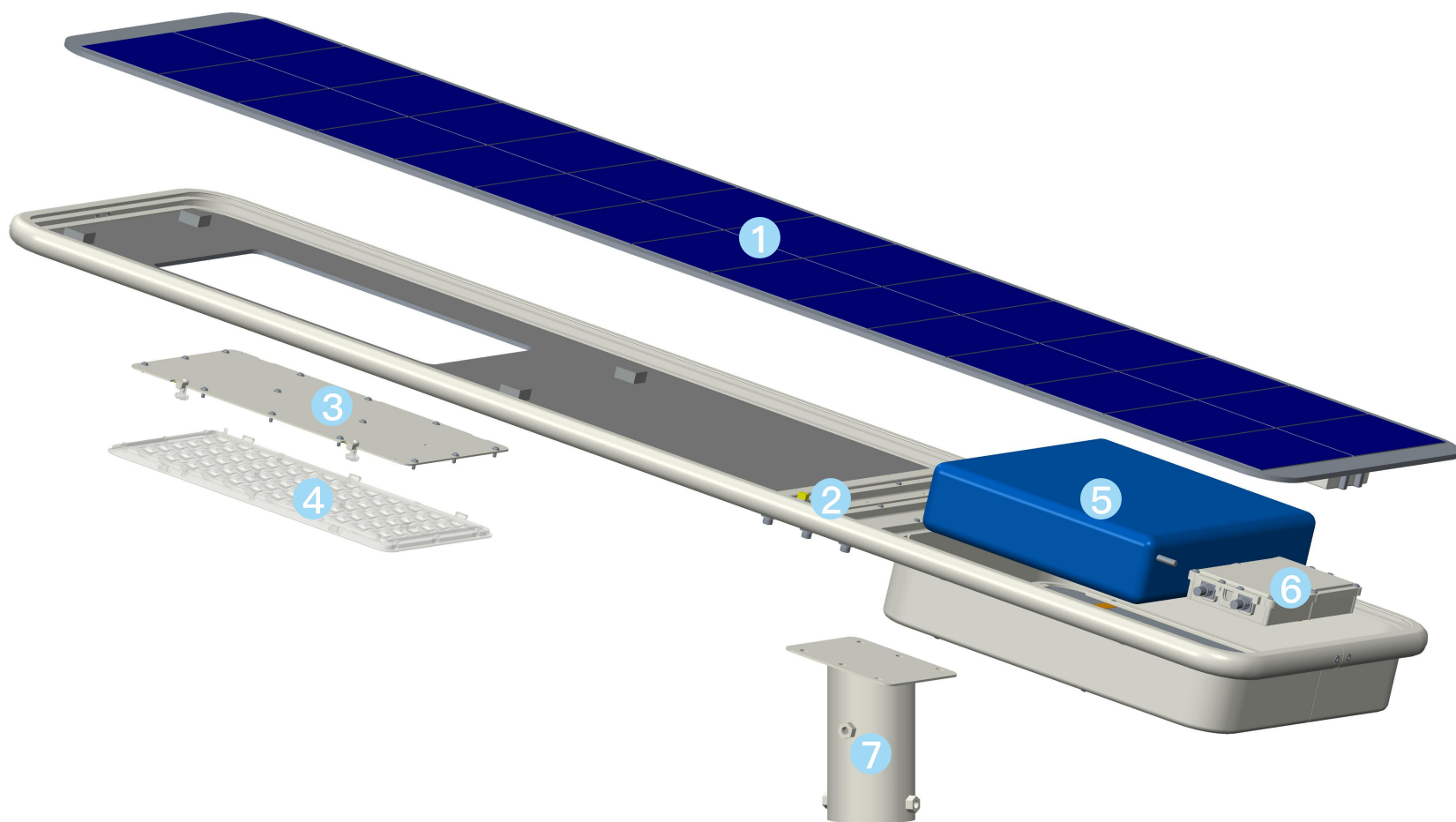
Longer lighting time



Battery Temperature Control Technology (TCS)

Protect the battery in high temperature and prolong the span life

Item : BASALT	SSL-92	SSL-94	SSL-96	SSL-98	SSL-910	SSL-912
Light Brightness	2000LM	4000LM	6000LM	8000LM	10000LM	12000LM
Solar panel						
Power	37.5W	37.5W	60W	60W	75W	75W
Li-ion battery						
Capacity	14.8V 153.92WH 2.6AH/PCS	14.8V 230.88WH 2.6AH/PCS	14.8V 346.32WH 2.6AH/PCS	14.8V 461.76WH 2.6AH/PCS	14.8V 577.5WH 2.6AH/PCS	14.8V 692.64WH 2.6AH/PCS
Charging/Discharging Temp	0~45°C					
Charging Time	4.5H	6.7H	6.3H	8.4H	8.4H	10H
LED (OSRAM)	3030 / 72pcs	3030 / 72pcs	3030 / 44pcs	3030 / 144pcs	3030 / 288pcs	3030 / 288pcs
Color Temp	4000K , Ra 70+	4000K , Ra 70+	4000K , Ra 70+	4000K , Ra 70+	4000K , Ra 70+	4000K , Ra 70+
Efficiency	190lm/W	190lm/W	190lm/W	190lm/W	190lm/W	190lm/W
Performance						
Lighting Time in Rainyday	>10 Days					
Control Mode	Button Switch , ON/OFF Long Press 1.5s					
Lighting Mode	100% (5H) +20% Till dawn					
Mode Indication	-					
Capacity Indication	4LEDs : >80% ; 3LEDs : 60%~80% ; 2LEDs : 30%~60% ; 1LEDs : <30% ; The 1st LED flashes quickly : Low power					
FAS	YES					
PIR	120° , >8m , Activated by customer 's need					
Core technology	ALS 2.3 / TCS1.0 / FAS 1.0					
Solar Panel Autoclean	-					
IP/IK Class	IP65 / IK08					
Install Height / Distance	3m / 15m	4m / 18m	6m / 27m	8m / 36m	10m / 45m	12m / 54m



Solar Panel



Product Shell



Led Plate



Optical Lens



Battery Pack



Control Module



Bracket



Shell



Li-ion Battery Pack



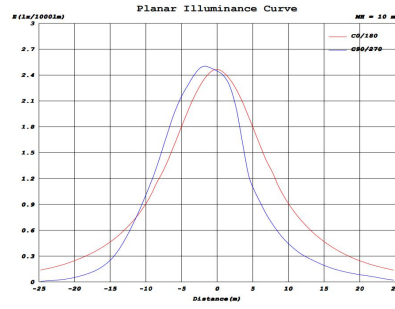
Case

SSL-92/94/96/98/910/912

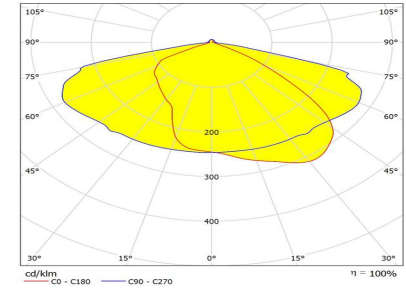
Road Simulated Diagram



Illumination Curve

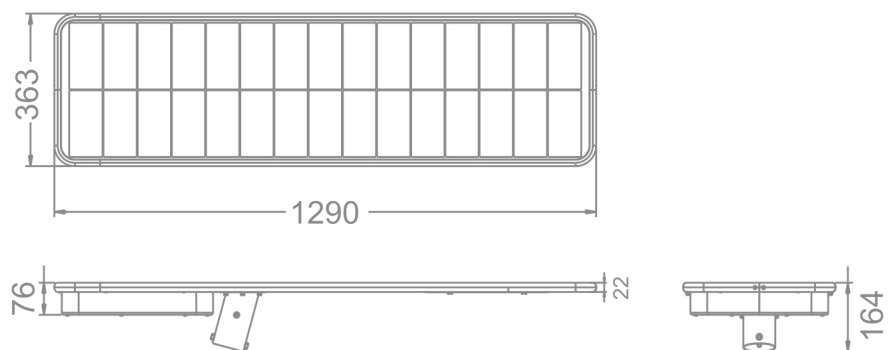


Luminance Distribution

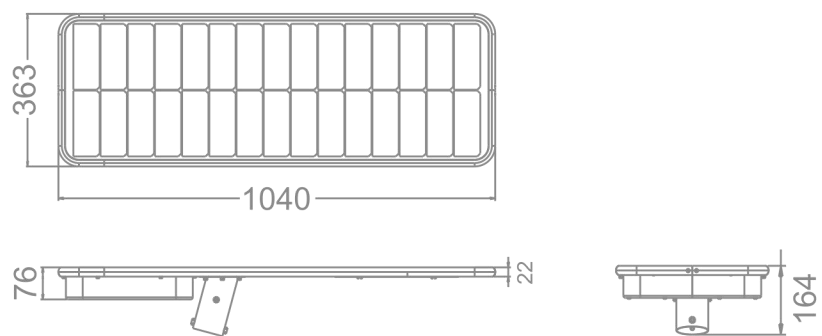


SOLAR LIGHT I DIMENTION FIGURE

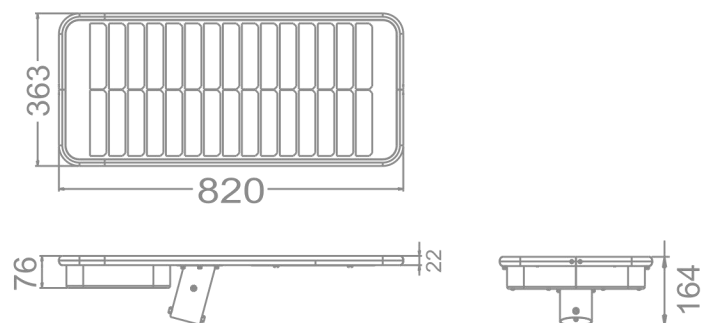
SSL-910/912



SSL-98/96



SSL-94/92



SOLAR LIGHT I LIGHT POLE DIAGRAM



Detail Benefits

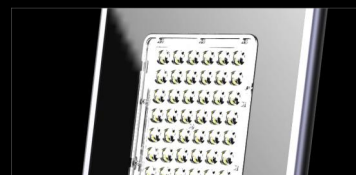
A Great Company should always pay the highest attention to the every detail design , and the craftsmanship spirit should be filled in the whole design process and mass production.



High lumen LEDs 190lm/W



Monocrystalline >21%

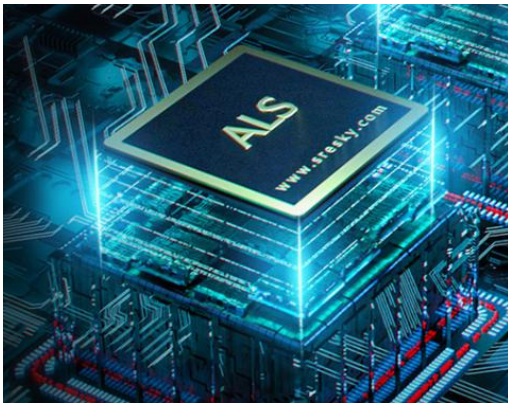


Bracket

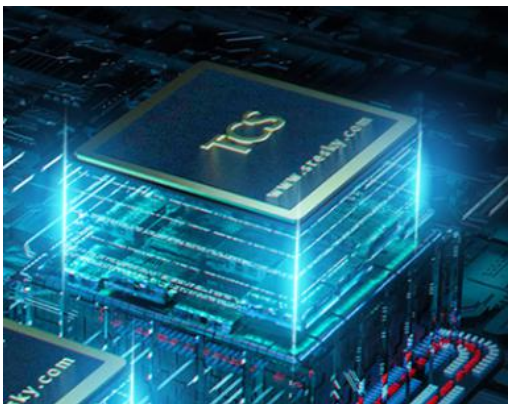
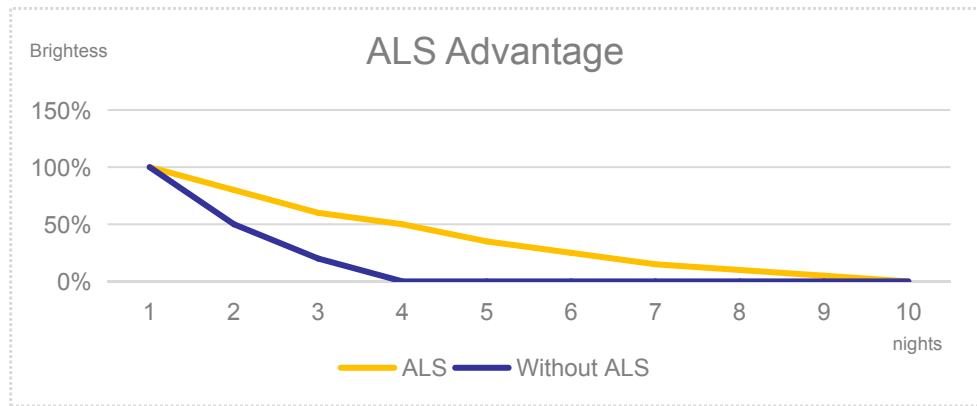


LED Indicator for All Status

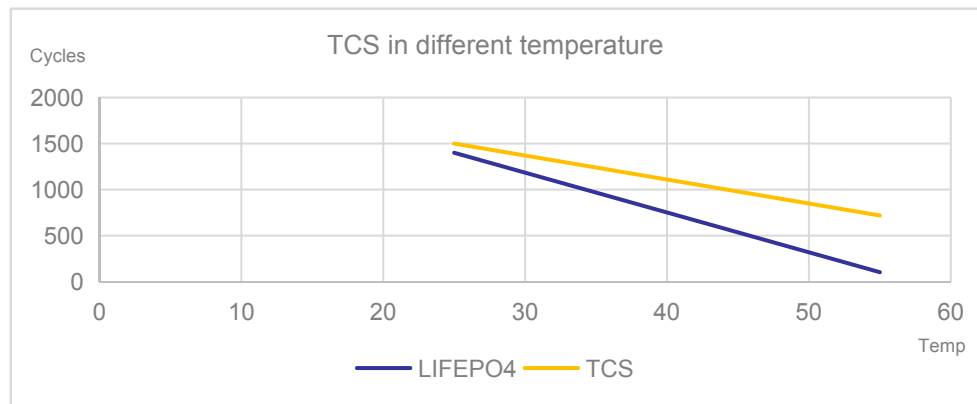




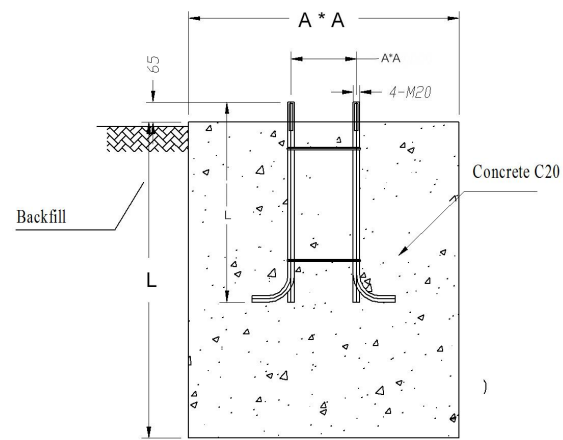
ADVANTAGE OF ALS



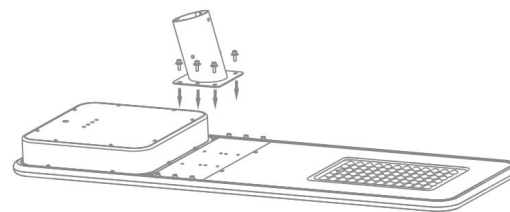
ADVANTAGE OF TCS



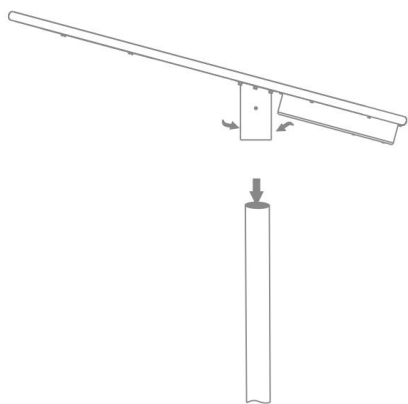
- 1 Dig a hole according to the size of the foundation cage, put the foundation cage into the hole and fix it with concrete C20.



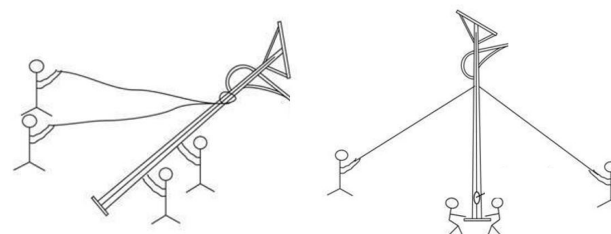
- 2 Use the supplied screws to fix the bracket on the lamp.



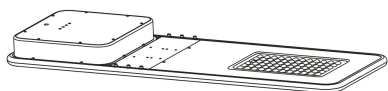
- 3 Use the supplied screws to fix the lamp on the pole.



- 4 Lift the lamp pole by the person or machine, align the bottom flange of the lamp pole with the foundation cage, and then fix the lamp pole with screws.



PRODUCT LIST
SOLAR LIGHT : 1 PC



INNER BOX
1 PC / 1 BOX



COLOR BOX

PRODUCT LIST

STEP 1

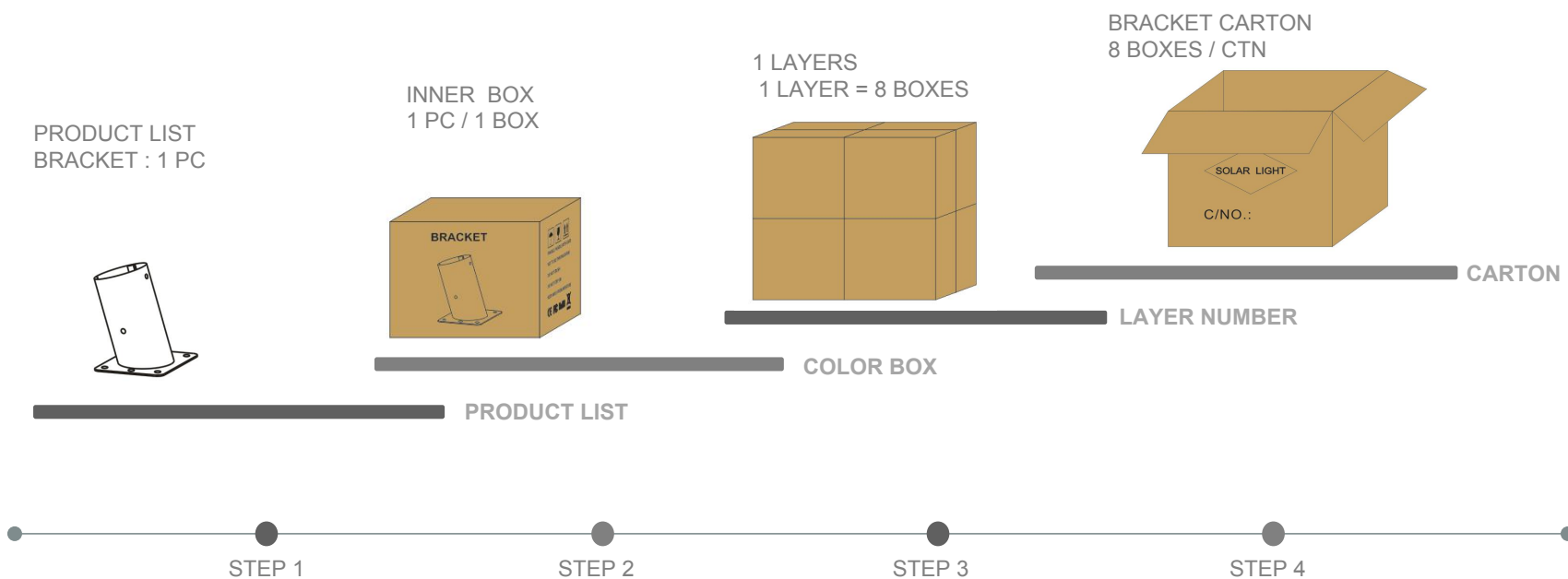
STEP 2

STEP 3

STEP 4

MODEL NO.	PCS/CTN	QTY(PCS)	CTN QTY	CARTON SIZE(MM)	N.W.(KG)	G.W.(KG)
SSL-92/93/94	1	1	1	915*160*445	7.8	9.1
SSL-95/96/97/98	1	1	1	1140*160*445	10.5	12
SSL-99/910/911/912	1	1	1	1374*160*447	13.5	15

Net weight and gross weight
are for reference only



MODEL NO.	PACKING METHOD	PCS/CT N	QTY(PCS)	CTN QTY	CARTON SIZE(CM)	N.W.(KG)	G.W.(K G)
SSL-92/93/94/95/96/97/98/99/910/911912 BRACKET	INNER BOX	1	1	1	15.5*13*12	0.65	0.8
	CARTON	8	8	1	32.5*27.5*26	5.2	6.4

Net weight and gross weight are for reference only

S / O / L / A / R / L / I / G / H / T

THANKS
VERY
MUCH

