

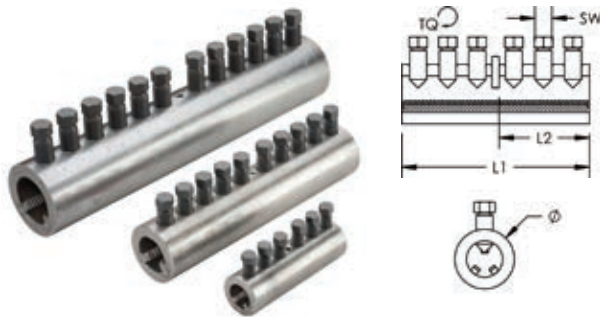
nVent LENTON Connect B12 Series Shear Bolt Coupler, Plain



CONNECT AND PROTECT

nVent LENTON Connect is an in situ reinforcing steel bar splicing system that requires no bar end preparation. It is ideal for new construction, repair or retrofit applications. The coupler features two integral serrated rails that provide for the development of full reinforcing bar (rebar) strength and improved overall structural integrity in tension, compression, stress-reversal and dynamic applications. Connect is designed for use in column splicing, bridge applications, piling, splicing to protruding dowels cast in concrete, closure pours, beams and other demanding splicing applications.

nVent LENTON Connect couplers allow for easy and simple field installation by eliminating the need for bar end preparation, sawing or swaging. The couplers can be installed with just a standard wrench or an impact wrench depending on coupler size. The bolt heads will shear off when proper bolt torque has been reached, which allows for complete visual inspection.



FEATURES

- Requires no special bar end preparation such as sawing
- Installs quickly and easily using simple, off-the-shelf hand tools
- Bolt heads shear off when bolt torque is achieved, providing for simple visual inspection
- Designed to work as a one-step transition/reducer
- The rebar centering pin can be removed to allow the coupler to fully pass onto the reinforcing bar for applications such as closure pours
- Complies to ACI 318 Type 1 and Type 2 performance on ASTM A706 and A615 grade 60 reinforcing bar

Material: Steel
Finish: Plain
100% U.S. Domestic Content: Yes

Part Number	Rebar Size, Metric mm	Rebar Size, US	Rebar Size, Canada M	Ø		L1		L2		SW		Number of Bolts	TQ		Unit Weight	
				inch	mm	inch	mm	inch	mm	inch	mm		ft lb	N-m	lb	kg
LC16B12D	12, 16	#4, #5	10, 15	1.63	41	5.1	131	2.5	63	1/2	13	6	85	115	2.2	1.01
LC20B12D	20	#6	20	1.90	48	6.8	172	3.3	84	1/2	13	8	85	115	3.7	1.67
LC22B12D	22	#7	-	2.00	51	8.7	220	4.3	108	1/2	13	10	85	115	5.0	2.26
LC25B12D	25	#8	25	2.38	61	10.7	272	5.3	134	5/8	16	10	193	261	9.5	4.29
LC28B12D	28	#9	30	2.80	71	11.2	284	5.5	140	3/4	19	8	440	597	14.1	6.40
LC32B12D	32	#10	-	3.00	76	13.7	348	6.7	170	3/4	19	10	440	597	18.7	8.47
LC36B12D	36	#11	35	3.13	80	16.2	411	7.9	202	3/4	19	12	440	597	23.4	10.64

Designed to Meet

AASHTO, ACI 318 Type 1 (125% Specified Yield), CAN/CSA - N287.2/.3/.4, ACI 318 Type 2 (Specified Tensile), IBC Type 2 (Specified Tensile), US Army Corps of Engineers

Bolt length may vary after the bolt heads are sheared off. Bolt heads are not required to be removed as long as the appropriate bolt torque is achieved. See instructions for installation equipment recommendations. Refer to complete installation instructions provided with the product or available at ERICO.com prior to commencing installation.



Our powerful portfolio of brands:

CADDY ERICO HOFFMAN RAYCHEM SCHROFF TRACER