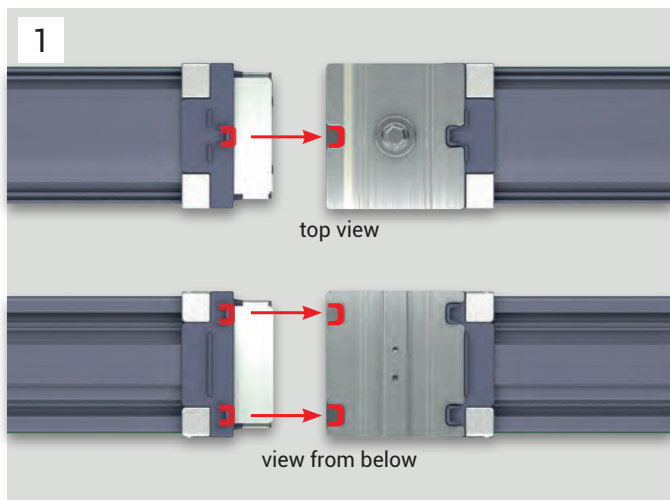




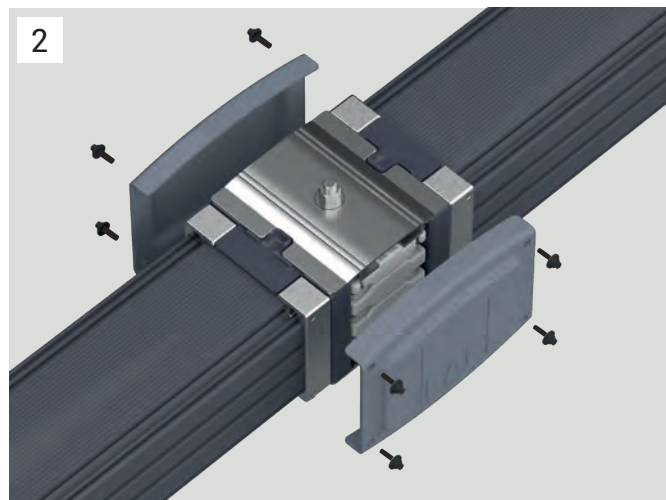
# DATA RACK BUSBAR

## ►► Installation

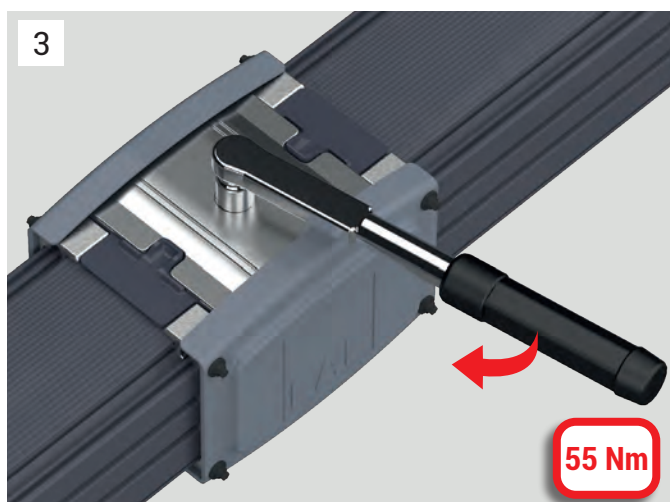
### ► Joint Installation



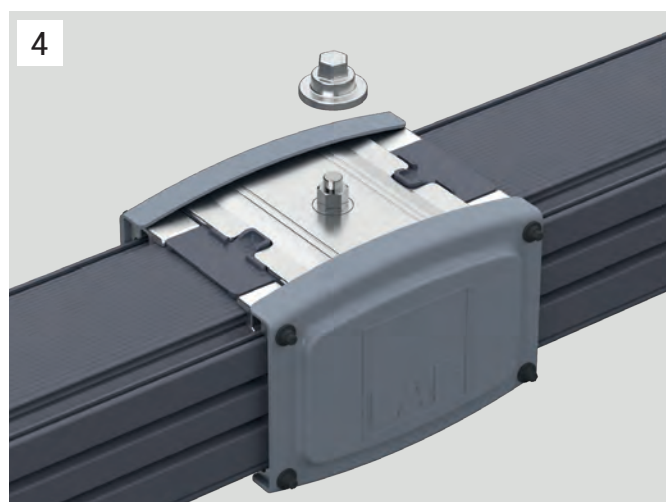
Align the busbars those with and without block joints facing each other and insert together



Assemble the joint cover and tighten the cover bolts



Adjust the torque wrench to 55 Nm and tighten the joint nut



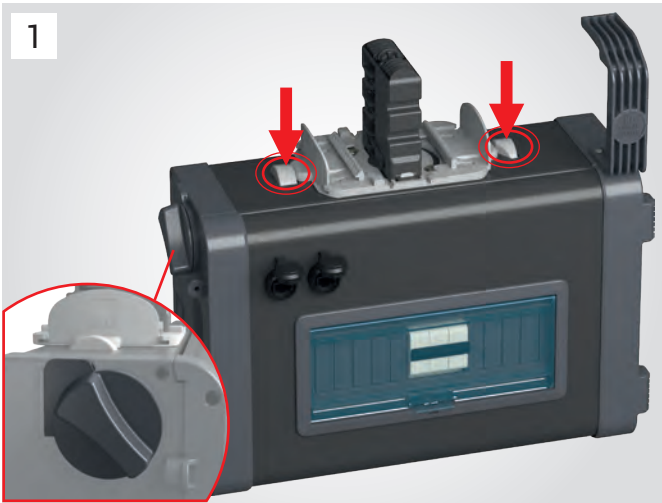
Mount the nut locking piece on the nut



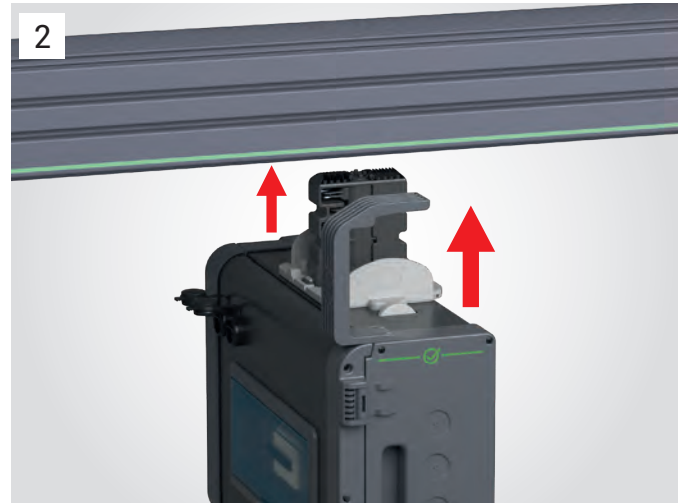
# DATA RACK BUSBAR

## ►► Installation

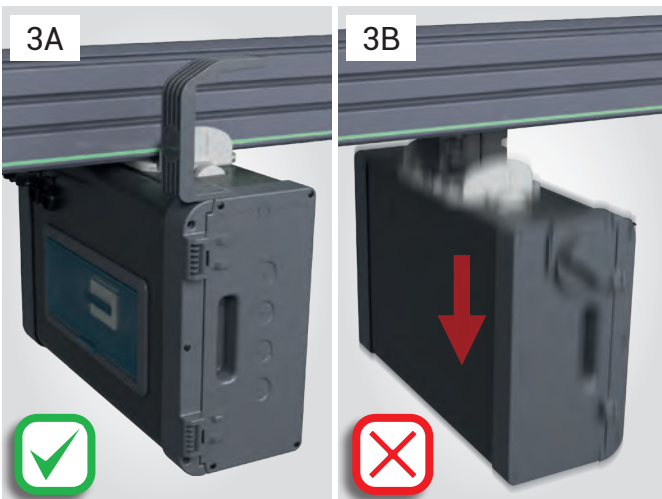
### ► Tap-Off Box Installation



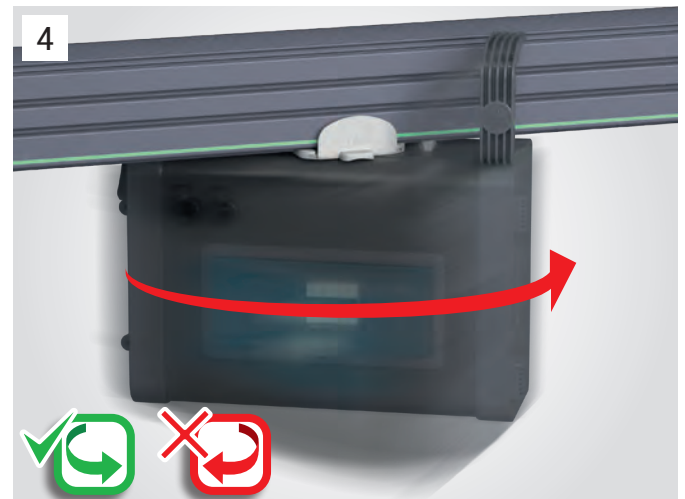
1 Ensure that the locking latch position is set right (as indicated) and setup the installation mechanism by pressing on the claws



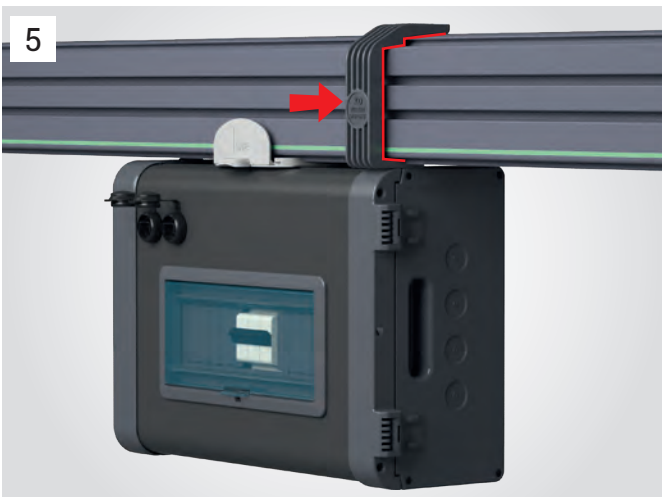
2 Insert the box inside the slot of the busbar by facing the mounting angle, the box label and the housing 'green' reference line on the same side



3A 3B Assure that the box is inserted and locked inside the busbar slot



4 Engage the top off box by rotating in the direction of the arrow  
Do not rotate the box against the direction of the arrow



5 Ensure that the mounting angle is correctly attached on the busbar housing



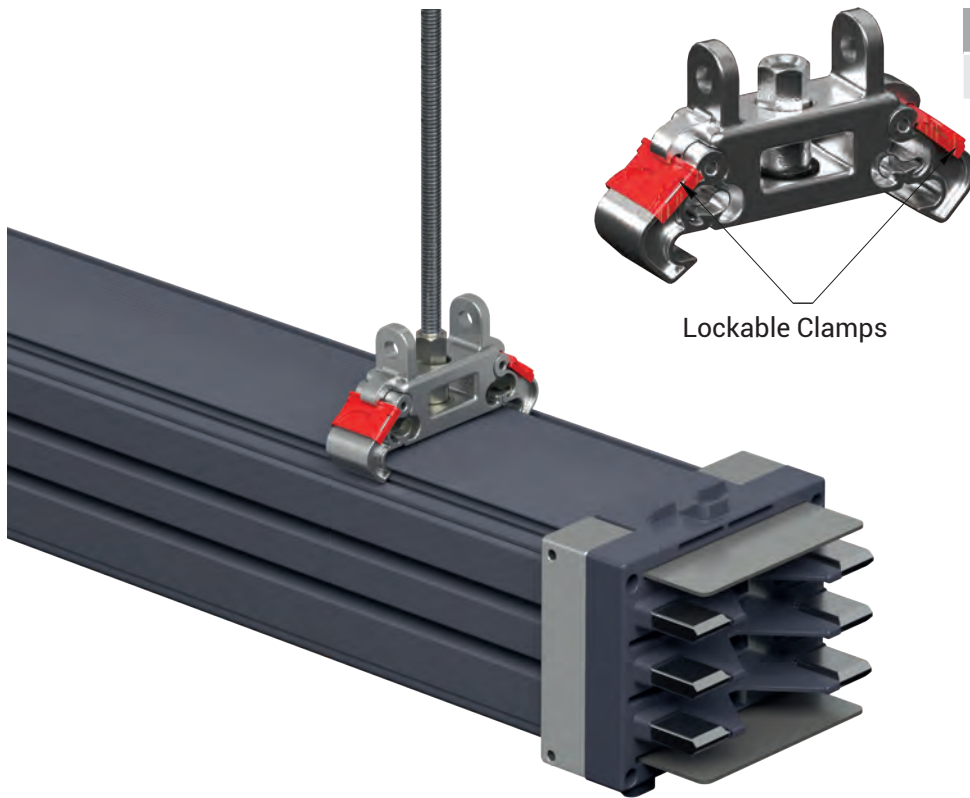
6 Secure the box by turning the locking latch in direction of the arrow

# DATA RACK BUSBAR



## ►► Fixing Elements

### ► Application I : Threaded Rod with Snap-In Fixing Unit

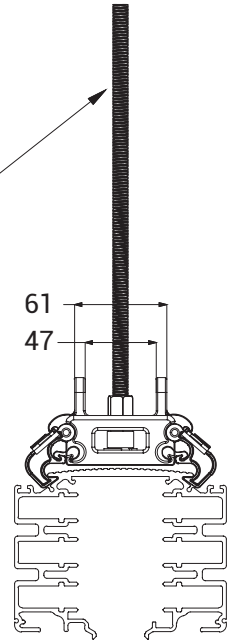


Lockable Clamps

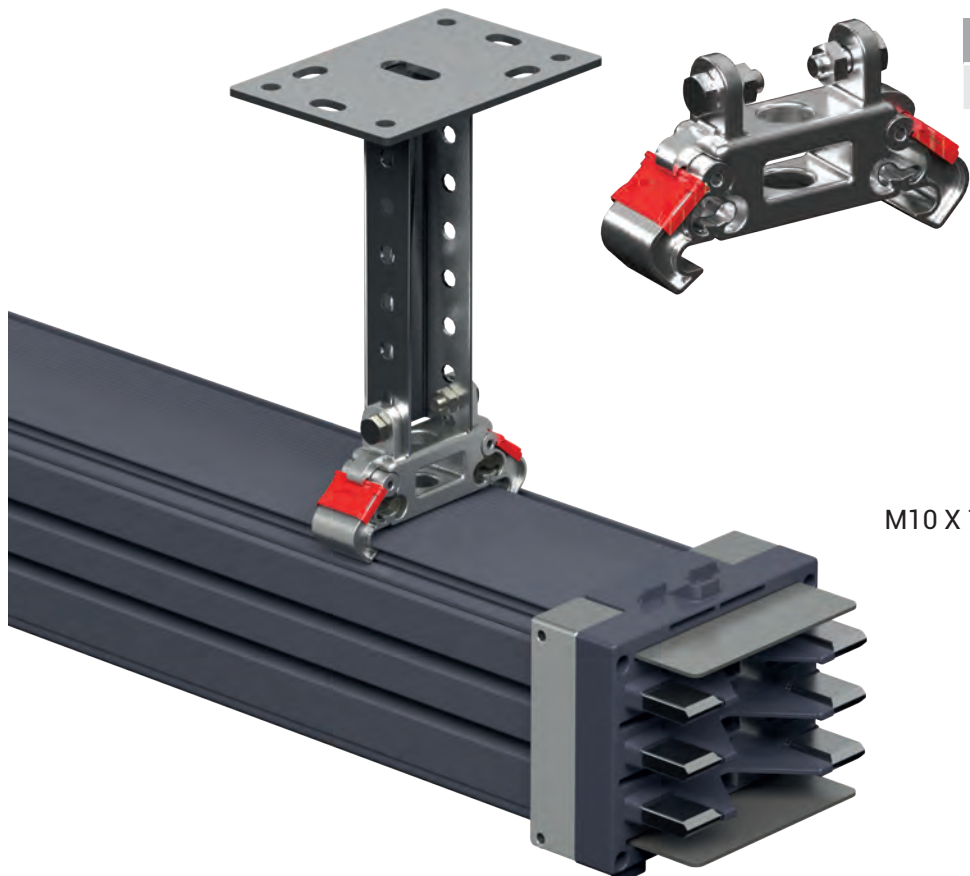
#### THREADED ROD SUPPORT

KD SNAP-IN	1024388
------------	---------

M10 Rod



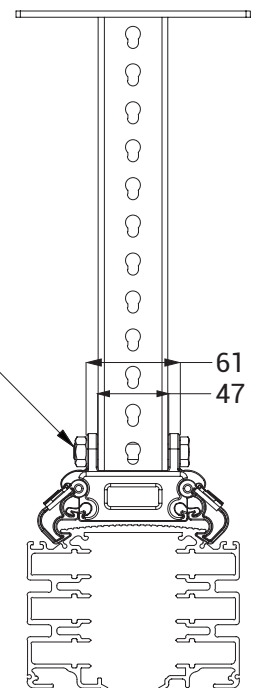
### ► Application II : TMP Ceiling Support with Snap-In Fixing Unit



#### TMP CEILING SUPPORT

KD SNAP-IN	1024389
------------	---------

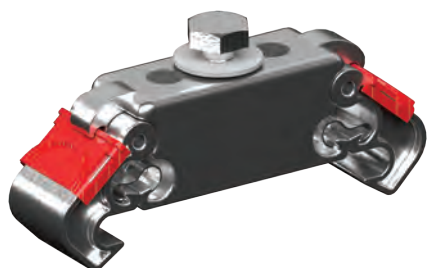
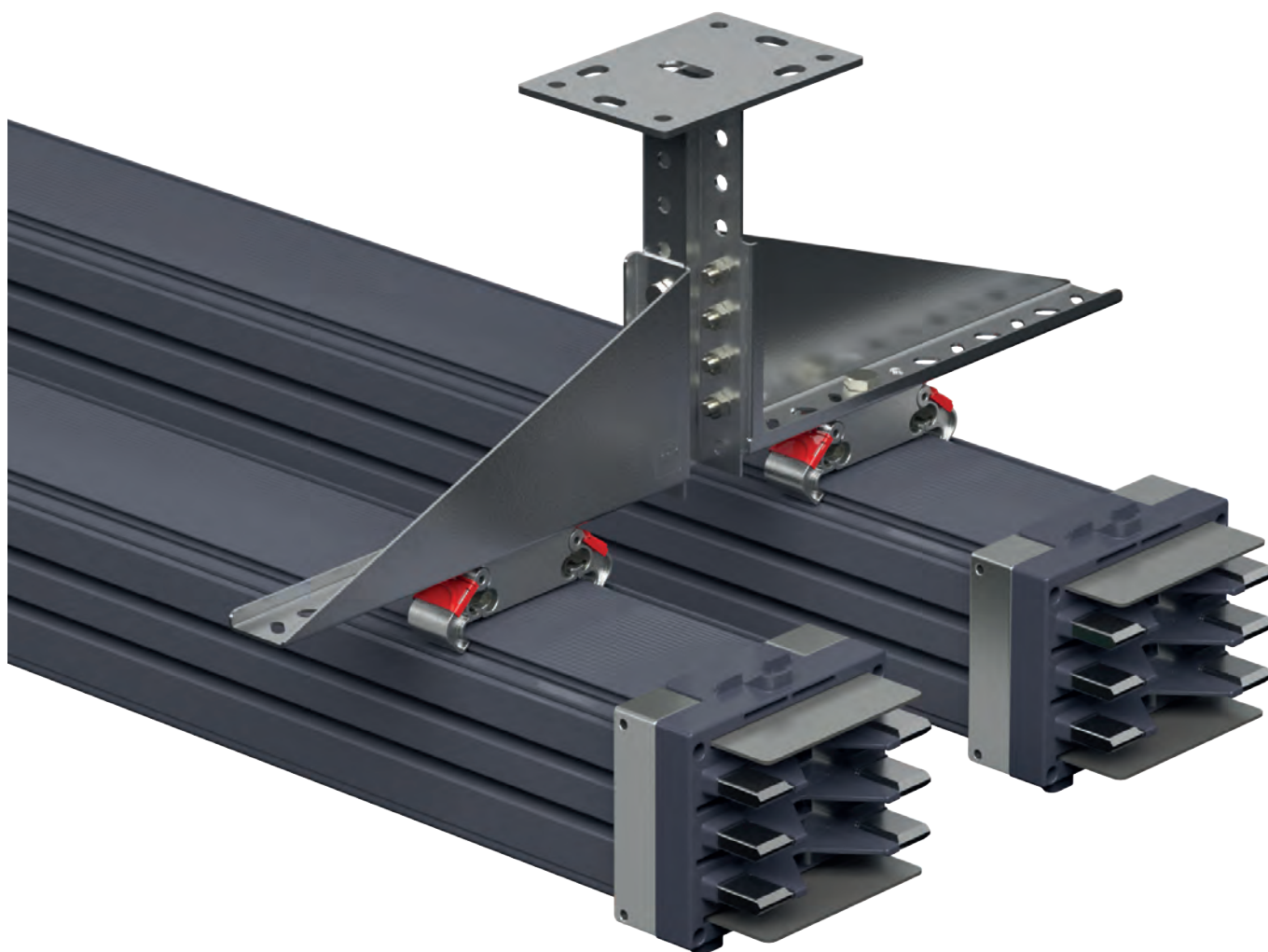
M10 X 70 Bolt



# DATA RACK BUSBAR

## ►► Fixing Elements

### ► Application III : TMP Ceiling Support and Tray Bracket with Snap-In Fixing Unit



**TS TRAY SUPPORT**

KD SNAP-IN

1025416

