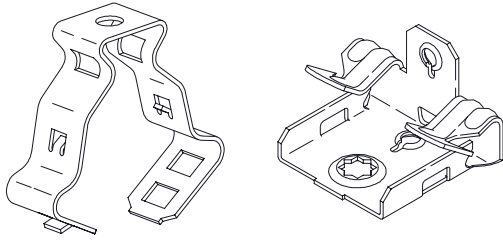


Universal Clamp and Conduit Clip



Can be independently mounted to any surface.

When using the following conduit: 3/8", 3/4", and 1" EMT or 3/8", 3/4", and 1" RIGID:

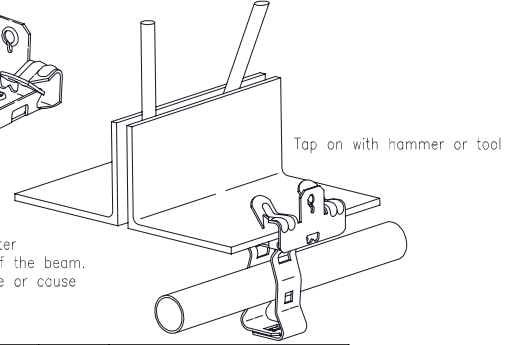
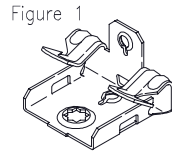
- 1) Fit conduit into clip.
- 2) By hand or with channel lock pliers, snap locking tab into first hole.
- 3) Clip is now secure.

When using the following conduit: 1/2" RIGID or 1/2", 1-1/4", 1-1/2" and 2" EMT:

- 1) Fit conduit into clip.
- 2) By hand or with channel lock pliers, snap locking tab into first hole.
- 3) Reposition channel lock pliers and snap locking tab into second hole.
- 4) Clip is now secure.

Note: a) Always use second conduit hole with above conduit; (b) if desired, break tab off 812M fastener when using 1/2" EMT conduit.

Universal Clamp



WARNING: Screw must be 3/8" or shorter or fastener will be pushed off the beam. Excessive driving may damage or cause the fastener to break.

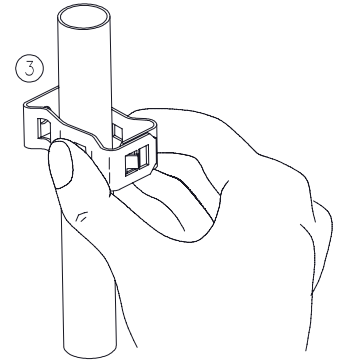
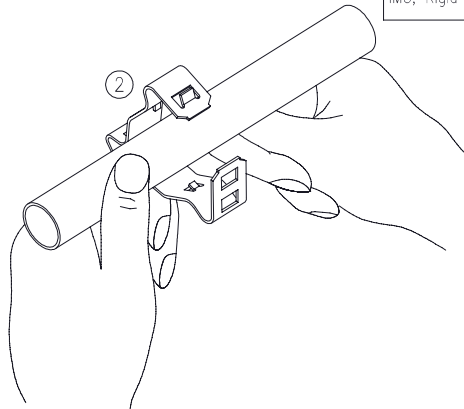
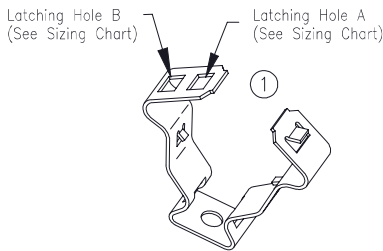
Part Number	Article Number	Figure	Flange Thickness (in [mm])
M24	N/A	1	1/8" [3] - 1/4" [6]
M58			5/16" [8] - 1/2" [13]
M912			9/16" [14] - 3/4" [19]
M1318			13/16" [21] - 1-1/8" [28]
EM1318	170075	2	1/8" [3] - 1/4" [6]
M24S	N/A		5/16" [8] - 1/2" [13]
M58S			9/16" [14] - 3/4" [19]
M912S			13/16" [21] - 1-1/8" [28]
M1318S	171855		13/16" [21] - 1-1/8" [28]
EM1318SM			

Universal clamp supplied with 1/4"-20 x 3/8" stud.

Conduit Clip

- 1) Select appropriate latching hole from sizing chart.
- 2) Fit conduit into clip.
- 3) Snap locking tab into desired hole using fingers (as shown) or pliers.

Latching Hole	
A	B
3/4" EMT, IMC, Rigid	1/2" EMT, IMC, Rigid



WARNING:

1. Pentair products shall be installed and used only as indicated in Pentair product instruction sheets and training materials. Instruction sheets are available at www.erico.pentair.com and from your Pentair customer service representative.
2. PENTAIR products must never be used for a purpose other than the purpose for which they were designed or in a manner that exceeds specified load ratings.
3. All instructions must be **completely** followed to ensure proper and safe installation and performance.
4. Improper installation, misuse, misapplication or other failure to completely follow Pentair's instructions and warnings may cause product malfunction, property damage, serious bodily injury and/or death, and void your warranty.
5. Products that are manufactured using spring steel components shall be used only in a non-corrosive indoor environment.
6. All pipe supports, hangers, intermediate components and structural attachments must ONLY be used as described herein and are NEVER to be used for any other purpose.

NOTE: All load ratings are for static conditions and do not account for dynamic loading such as wind, water or seismic loads, unless otherwise noted.

The customer is responsible for:

- a. Conformance to all governing codes.
- b. The integrity of structures to which the products are attached, including their capability of safely accepting the loads imposed, as evaluated by a qualified engineer.
- c. Using appropriate industry standard hardware as noted above.

SAFETY INSTRUCTIONS:

All governing codes and regulations and those required by the job site must be observed. Always use appropriate safety equipment such as eye protection, hard hat, and gloves as appropriate to the application.



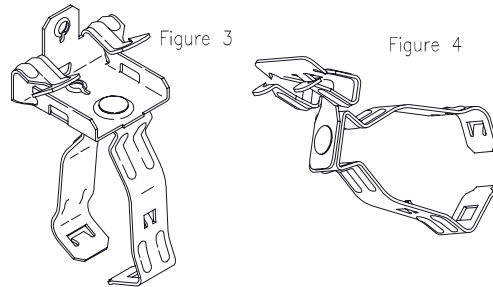
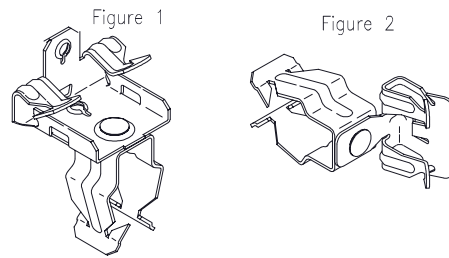
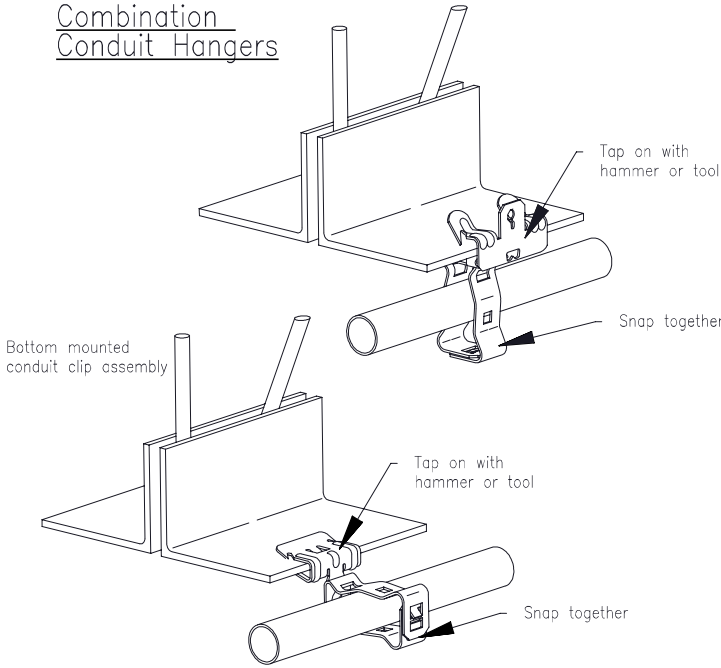
Pentair, CADDY, ERICO CADWELD, ERICO CRITEC, ERICO, ERIFLEX, and LENTON are owned by Pentair or its global affiliates. All other trademarks are the property of their respective owners. Pentair reserves the right to change specifications without prior notice.



INSTRUCTION SHEET

Figure 1 Part Number	Article Number	Figure 2 Part Number	Article Number	Description
8P24	172150	8P24SM	175180	1/2" [13] conduit to 1/8" [3] - 1/4" [6] flange
8P58	172160	8P58SM	175190	1/2" [13] conduit to 5/16" [8] - 1/2" [13] flange
8P912	175100	8P912SM	175200	1/2" [13] conduit to 9/16" [14] - 3/4" [19] flange
12P24	175110	12P24SM	175220	3/4" [19] conduit to 1/8" [3] - 1/4" [6] flange
12P58	175120	12P58SM	175230	3/4" [19] conduit to 5/16" [8] - 1/2" [13] flange
12P912	175130	12P912SM	175240	3/4" [19] conduit to 9/16" [14] - 3/4" [19] flange
16P24	175140	16P24SM	175260	1" [25] conduit to 1/8" [3] - 1/4" [6] flange
16P58	175150	16P58SM	175270	1" [25] conduit to 5/16" [8] - 1/2" [13] flange
16P912	175160	16P912SM	175280	1" [25] conduit to 9/16" [14] - 3/4" [19] flange

Combination Conduit Hangers

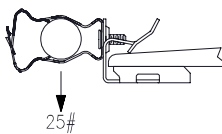
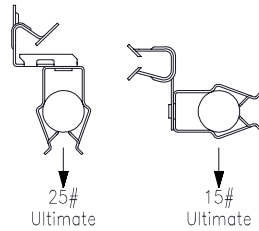
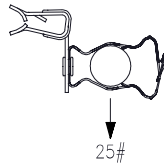
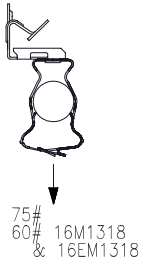


Applications and Load Diagram

Conduit Clip

M-Series

P-Series



Indicated loads are static load limits and should not be combined.

Use threaded rod to hang or 3/8" maximum length screw to mount junction box, etc.

Figure 3 Part Number	Article Number	Figure 4 Part Number	Article Number	Description
6M24	N/A	6M24SM	173640	3/8" [10] conduit to 1/8" [3] - 1/4" [6] flange
6M58		6M58SM	171980	3/4" [19] conduit to 5/16" [8] - 1/2" [13] flange
6M912		6M912SM	173650	3/8" [10] conduit to 9/16" [14] - 3/4" [19] flange
16M24		16M24SM	173720	1" [25] conduit to 1/8" [3] - 1/4" [6] flanges
16M58		16M58SM	173730	1" [25] conduit to 5/16" [8] - 1/2" [13] flange
16M912		16M912SM	173740	1" [25] conduit to 9/16" [14] - 3/4" [19] flange
16M1318	173745	N/A	N/A	1" [25] conduit to 13/16" [21] - 1-1/8" [28] flange
16EM1318		N/A	N/A	
20M24	N/A	20M24SM	171720	1-1/4" [32] conduit to 5/16" [8] - 1/4" [6] flange
20M58		20M58SM	173770	1-1/4" [32] conduit to 5/16" [8] - 1/2" [13] flange
20M912		20M912SM	173780	1-1/4" [32] conduit to 9/16" [14] - 3/4" [19] flange
24M24		24M24SM	176690	1-1/2" [38] conduit to 5/16" [8] - 1/4" [6] flange
24M58		24M58SM	173800	1-1/2" [38] conduit to 5/16" [8] - 1/2" [13] flange
24M912		24M912SM	173710	1-1/2" [38] conduit to 9/16" [14] - 3/4" [19] flange
32M24	N/A	32M24SM	173830	2" [51] conduit to 5/16" [8] - 1/4" [6] flange
32M58		32M58SM	173840	2" [51] conduit to 5/16" [8] - 1/2" [13] flange
32M912		32M912SM	173850	2" [51] conduit to 9/16" [14] - 3/4" [19] flange



Pentair, CADDY, ERICO CADWELD, ERICO CRITEC, ERICO, ERIFLEX, and LENTON are owned by Pentair or its global affiliates. All other trademarks are the property of their respective owners. Pentair reserves the right to change specifications without prior notice.