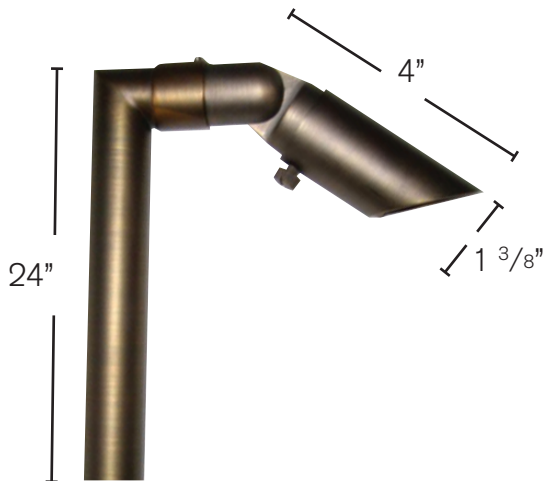


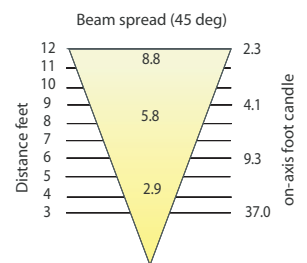
LED Specifications - Made in USA

- Light Source:** CREE X Series LED (dimmable)
- Wattage:** 2 watts (= 20w halogen)
- Lumens:** 130 lumen
- Beam Spread:** 45°
- Color Temperature:** 2700K (Halogen Warm White)
- CRI:** 85 Typically
- Input Voltage:** 11v to 13v Vac
- IP61 Moisture Resistant:** Fully Potted PC board
- Overload Protection:** Built in monitor w/ auto-dimming
- LED Life (L70):** 50,000 hours average
- Warranty:** Limited 5 year against defects



Fixture Specifications - Assembled in USA

- Material:** Cast Brass threaded body
- Shroud:** Separate-adjusts to 5" L- full rotation
- Post:** 24" H - 90° post 360° rotation
- Finish:** Aged Bronze - naturally oxidized
- Lens:** Clear-tempered glass
- Lead:** 2 ft. of 18/2 wire
- Stake:** 1/2" NPT heavy duty PVC
- Warranty:** Limited Lifetime on fixture and finish
- Rating:** Harsh coastal rated



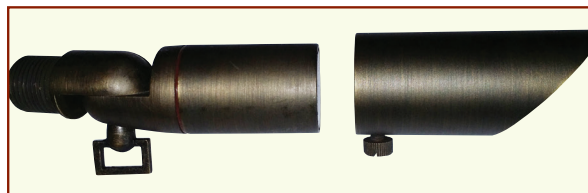
The fixture that establishes a new industry standard.

ENERGY SAVINGS

Uses **90%** Less Electricity (vs. typical Halogen bulb)

18 Watt Savings

2W LED vs. 20W Halogen



CAST BRASS!
Removable shroud.
Threaded & sealed body!