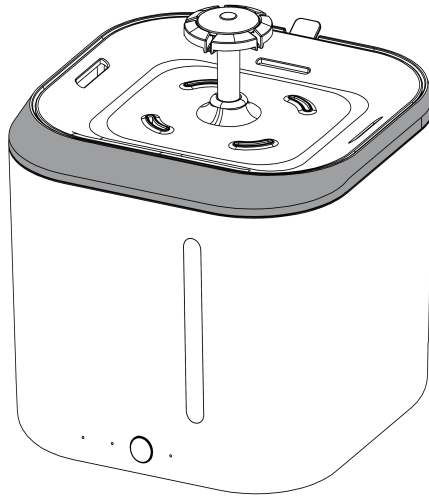


PETLUX

# Pet Water Fountain

## Instruction Manual



**Model No.: PL-19W**

Please read this product manual carefully before use and keep it properly!  
Special note: all contents of this product manual have been carefully reviewed. In case of any printing errors, omissions or misunderstandings in the content, we reserves the right to revise it without notice, and reserves the right of final interpretation.

# CATALOGUE

Precautions for product use	2
Name of product parts	3
Product parameters	3
Function introduction	4
How to install before use	5
Operation instructions	6
How to connect WiFi and set water plan	6
Fault analysis and troubleshooting	9
Cleaning and maintenance	10
Guarantee Card	11

Thank you for using our pet water fountain. We have specially prepared this manual for you to use and maintain this product correctly. Please read this manual carefully before using the product and keep it properly for future reference.

This manual is only applicable to our pet water fountain. All contents in the manual are only for users' reference during use and maintenance. For matters not covered, users are welcome to consult our customer service department. For the deficiencies of this book, you are welcome to put forward your valuable opinions. I hope this product can bring warmth, convenience and health to your life.

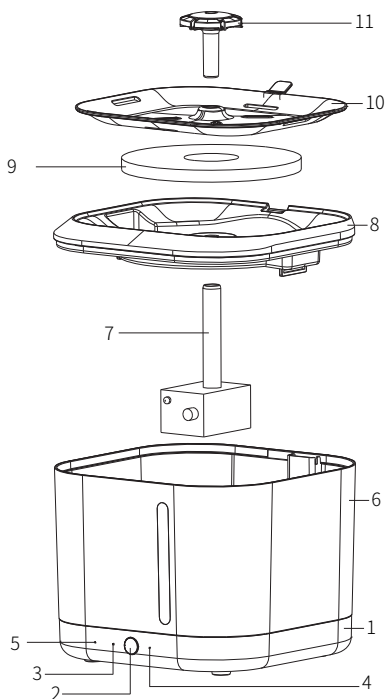
## **Precautions for product use**

1. This product uses adapter to power on.
2. The product must be used under the temperature between 3-40°C.
3. Do not immerse the host in water or other liquids, nor wash it under the tap. Clean only with a damp cloth.
4. Please put the machine out of the reach of children.
5. Do not let children use this product without supervision.
6. Do not operate upside down.
7. This product can only be used as a container and cannot be put into the oven.
8. Food grade plastic, Multi-filtration System.
9. This product is only for pets.
10. The pet water fountain needs to be stored correctly when it is not in use, please clean it first and then place it in a dry place. Do not expose it to the sunshine for a long time.

## **Environmental Protection**

1. Please do not put the product together with general household garbage when discarding it; It should be handed over to the officially designated recycling center, which is conducive to environmental protection.
2. The battery contains substances that pollute the environment. Do not throw away the host with ordinary household garbage, but hand it over to a formal battery collection point for disposal.

## Name of product parts

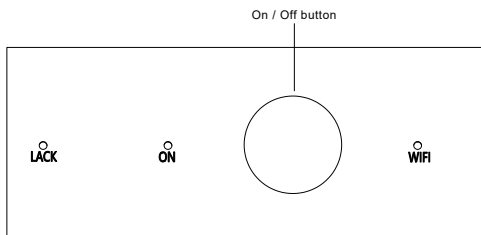


1. Base
2. On / Off button
3. Work indicator
4. WiFi indicator
5. Water volume indicator
6. Water tank
7. Wireless pump & spout
8. Lid & filter tray
9. Filter
10. Drinking tray
11. Flower fountain

## Product parameters

Pet Water Fountain			
<b>Model</b>	PL-19W	<b>Rated power</b>	2.2W
<b>Rated voltage</b>	DC 5V	<b>Capacity</b>	2.5L
<b>Controlling</b>	WiFi remote control	<b>Product size</b>	180x180x150mm
<b>N.W.</b>	0.74 kg	<b>G.W.</b>	0.9 kg

## Function introduction



### **LACK:**

When the water volume is too low, the red indicator flashes for 5 seconds and then remains on. To fill with water to reach the minimum water level, the white indicator will be on.

### **ON:**

The white indicator will be on when the pet water fountain is working.

### **On / Off button:**

Press the On / Off button to start the pet water fountain, water flows at the default middle level. The appliance will automatically search the available network / WiFi.

### **WIFI:**

The white indicator will be on when the WIFI is connected.

## How to install before use

1. Insert the adapter pin into the socket with DC voltage of 100-240V/50-60Hz, and connect the type-c plug of the adapter to the base of the appliance for power on. (as shown in Figure 1)

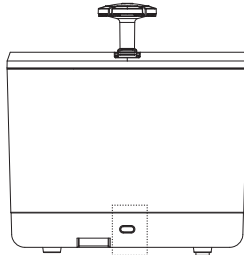


Figure 1

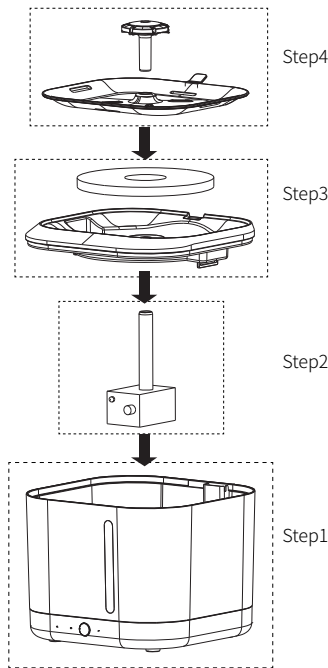


Figure 2

2. To put the spout on the wireless pump, then put them into the water tank, note to align with the slot of the base.

3. To put the lid on the water tank, note to align with the spout of the wireless pump.

To put the filter into the lid (filter tray).

4. To put the drinking tray on the lid, note to align the silicon handle with the slot of the lid.

5. To put the flower fountain into the water outlet of the drinking tray.

(as shown in Figure 2)

## **Operation instructions**

1. When power on, the appliance will automatically search the available network / WiFi for 10 minutes. After the network / WiFi is connected, the white indicator of “WiFi” will be on.
2. To long press the On / Off button for 5 seconds, the appliance will search the network / WiFi manually for 3 minutes, the white indicator of “WiFi” will flash.
3. If the appliance is not connected to the network / WiFi, it cannot be found through the APP on the mobile phone.

## **Filter replacement**

1. For the first use, soak the filter for 5~10 minutes and clean.
2. For your pet’s health, replace the filter timely according to the reminder from APP on the mobile phone.
3. If there is little black powder in the water, it is the activated carbon of the filter and harmless.

## **How to connect WiFi and set water plan**

Please connect the WiFi and Open the Bluetooth function from your mobile phone before connection.

**Step 1:** Take out the mobile phone, download and install the TUYA/Smart Life APP, then open the APP and click ‘Add Device’ to connect the devices.

**Step 2:** Detect the device, then click and add the device. After connect successfully, the white indicator of “WIFI” will be on constantly.

**Step 3:** Add the device, and click ‘Done’ after add successfully.

**Step 4:** Get into the operation interface, click ‘Setting’ to set your water plan. The water schedule can last for 7 days. After the water plan is completed, the appliance is in standby or constantly working status.

### **Remark:**

- 3 levels (high / middle / low) of water flow are available.
- The setting range of “Filter Replace Reminder” is 0-90 days.
- The setting range of “Clean Reminder” is 0-31 days.

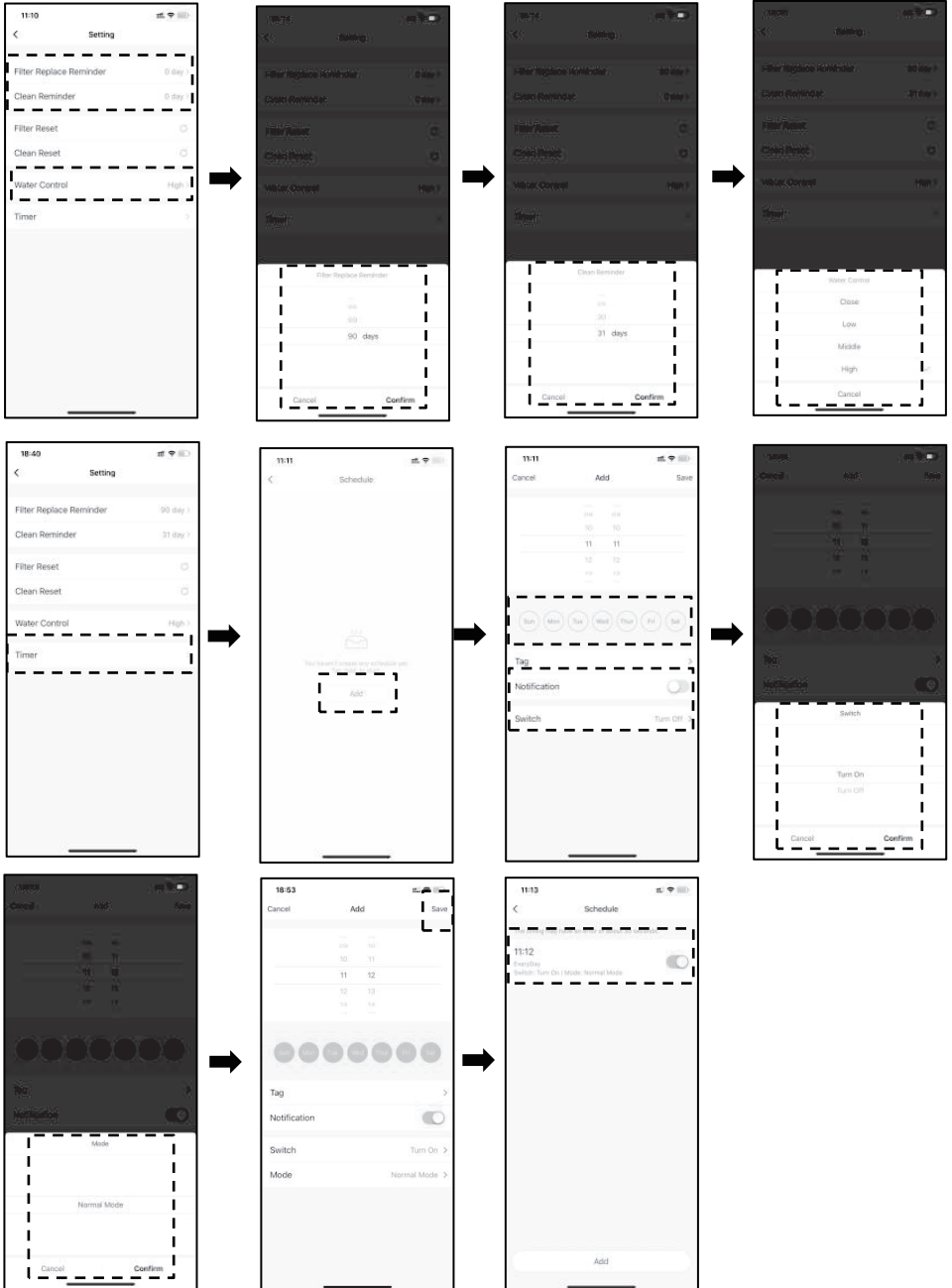
**Step 5:** Press the On / Off button (on the base or on the APP) or remove the power supply to switch off the appliance. At this time, the white indicator of the ON/OFF will turn off.

# How to connect WiFi and set water plan (Diagram 1)





# How to connect WiFi and set water plan (Diagram 2)



## Fault analysis and troubleshooting

Error	Troubleshooting
No water outlet, the white indicator of ON/OFF is off.	Check whether the appliance is power on. Check whether the power cord is improperly connected.
No water outlet, the red indicator of "LACK" is on.	Check whether the water volume is too low.
The water flow is low.	Check whether there is any blockage in the wireless water pump, flower fountain, etc.
No water outlet, the wireless water pump is noisy.	Check and clean the wireless water pump. Check whether the wireless water pump is aligned with the slot of the base. To power off the appliance and restart after 15 seconds.
Unable to power on.	Check the adaptor, make sure to use the one with 5V 1A output.

### Caution

The above are the common errors analysis and troubleshooting methods.  
For other errors, please contact our customer service department or directly go to our designated maintenance point. Do not disassemble and repair by yourself.

## **Cleaning and maintenance**

1. To use the right power supply and adapter.
2. To shield the appliance from direct sunlight to avoid affecting water quality and product aging.
3. Do not clean the appliance with chemicals and detergent. Do not immerse or wash the base and adaptor with water.
4. To remove the power supply before installation, maintenance, water filling and cleaning.
5. After a period of normal use, it is recommended to clean the appliance once a week base on the water quality and practical usage.
6. When the WiFi is connected, put the product in an open area and away from the other WiFi transmitters and other appliances to avoid affecting the WiFi sensitivity.
7. When the appliance is not in use, remove the power supply. Disassemble and dry the appliance, put the parts back into the packaging box orderly for future use.

## GUARANTEE CARD

### User information

Product model	
Product number	
Date of purchase	
Customer name	

### Warranty records

Warranty date	Errors and handling methods	Warranty date	Customer signature

### Warranty terms

1. The warranty period of this product is 1 year from the date of sale.
2. We will provide you with high-quality after-sales service.
3. If the product damage due to incorrect human operations, we will charge maintenance fees when repairing.
4. Please keep this card properly, and we will keep it as the basis.