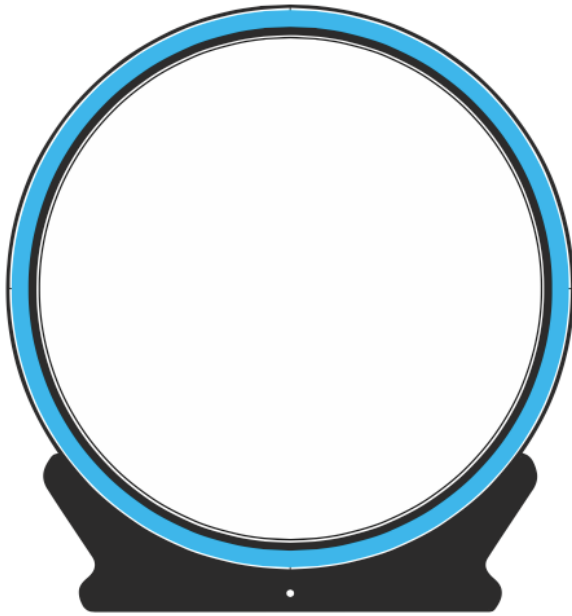


PETLUX

PART 1

Install Textbook Guide



Cat Treadmill V2



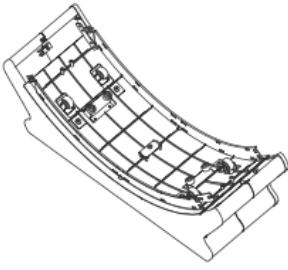
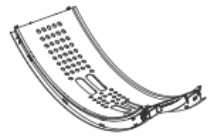
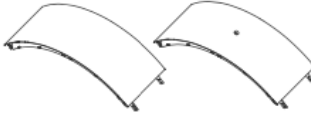







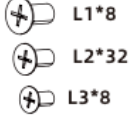



Scan code to watch video tutorial

Kind tips

- 1 This product is a pet sports product. Because each pet has a different personality and living habits, the degree of adaptation and the length of time to accept new things vary. In order to avoid stress or accidents for pets, please When using this product, please do not let pets out of sight and read the following tips carefully, so as to use this product more safely and smoothly.
- 2 When not using this product, please lock the safety lock in time.
- 3 In the early use, if your pet is not interested in playing with this product, please patiently guide or consult the customer service staff of our company for the training method of pet play, thank you for your cooperation.
- 4 Before installation, please check the integrity of the components, whether the black terminals on both sides of the middle of the base are out of the hole, and plug the light strip into the power supply to check whether the light can be turned on and enters a normal light-emitting state. (The normal state of the MAX version is the slow breathing state, and the normal state of the PLUS version is the constant light state)

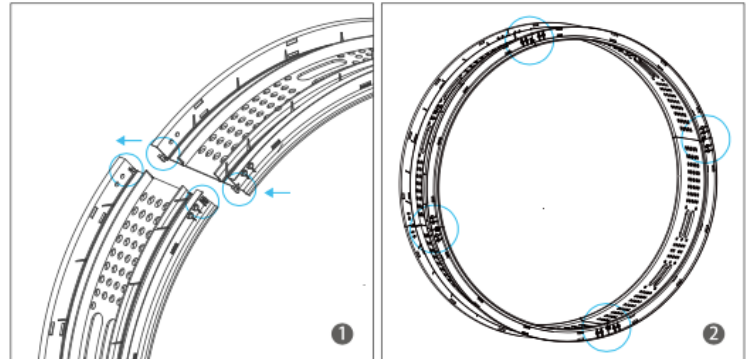
Packing List

After opening the product package, please confirm whether the product is in good condition, and check whether the accessories are complete according to the picture below in time.

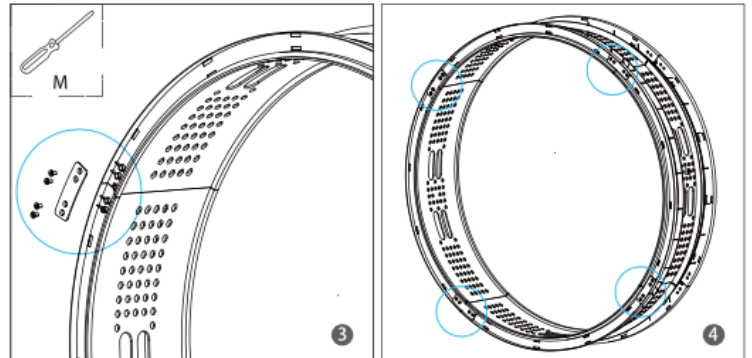
 <p>A Integral base*1</p>		 <p>B Inner runway*4</p>	
		 <p>C Outer-wheel encasement*3 (one with keyhole is C1)</p>	
 <p>D lights encasement*8</p>		 <p>E Running mat*1</p>	 <p>F Power Cord / Adapte*1 (PLUS/MAX version only)</p>
 <p>G Shock-absorbing elastic band*2</p>	 <p>H Inner ring connector*8</p>	 <p>J Outer ring connector*4 (pre-installed)</p>	 <p>K light strip*2 (PLUS/MAX version only)</p>
 <p>L screw*1</p>	 <p>M Installation tool*1</p>	 <p>N Protective gloves*1</p>	 <p>O User's Guide*1</p>

Product installation

STEP 1 Assemble inner runway



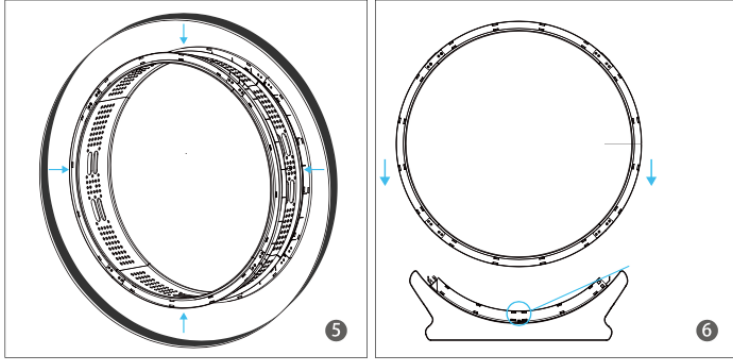
Push and lock the buckle of Accessory B and repeat (as illustration 1), to assemble the four inner runways to a whole running wheel (as illustration 2)



Fix Inner Ring Connector(H) to the connection between Inner runway pieces by using screwdriver (M) and the screw (L2) (as illustration 3), Repeat until all 8 Connector (H) assembled (as illustration 4).

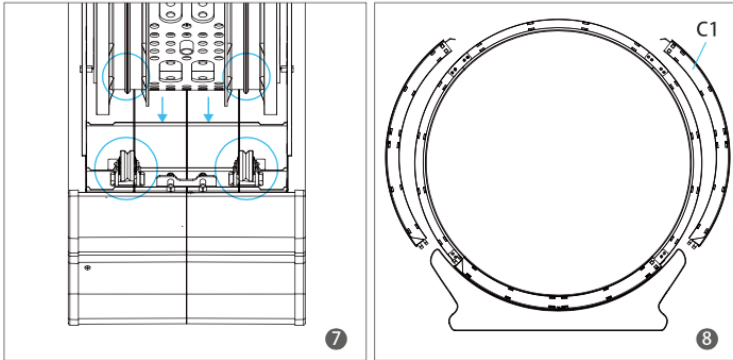
Reminder: In order to avoid the screw slip or the screw column damaged during assembly, it's recommended to use the attached screwdriver in this product. If you prefer to use electric screwdriver, please try to control the speed of the electric screwdriver to achieve the ideal installation effect!

STEP 2 Connect the inner ring runway to the base



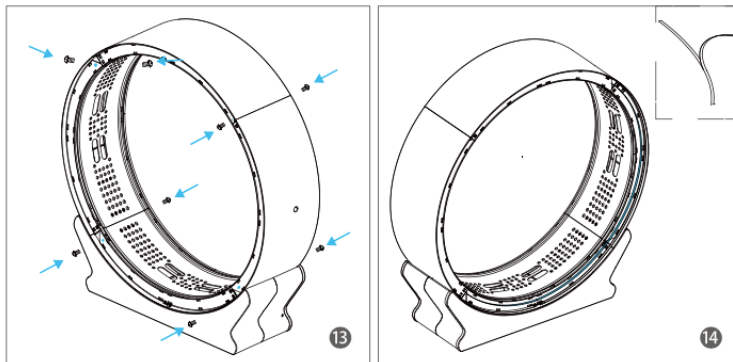
After stretching the two G shock-absorbing elastic bands, they are evenly placed on the outer diameter V-shaped bosses of the inner ring track in turn (as shown in Figure 5), and then the inner ring track is placed on the base, PLUS and MAX versions, pay attention to the base The upper lamp line interface is placed outside the ring (as shown in Figure 6).

Note: These two steps are very important, please read or watch the relevant installation instructions carefully, in case of mistakes, thank you!

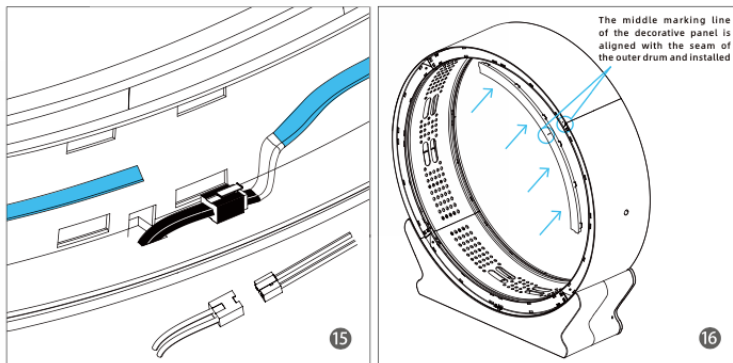


When the outer ring track is placed on the base, align the V-shaped boss with the middle position of the mute wheel groove of the base (as shown in Figure 7). After installation, assemble the Couter wheel cover (as shown in Figure 8), and install C1 with holes in the left and right On one side, the piece with the warning label is installed on the top (as shown in Figure 11)

STEP 4 Group of decorative light panels

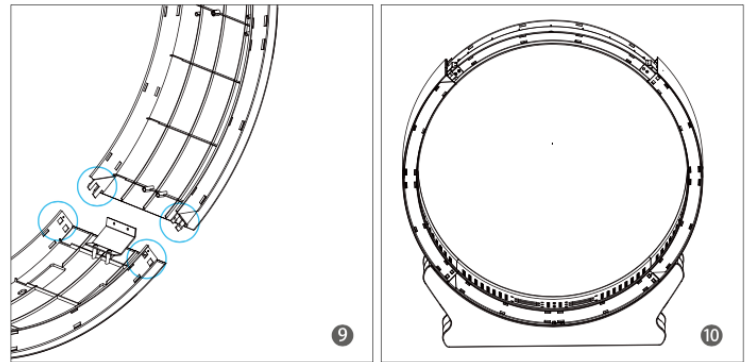


After the outer wheel cover is installed, use screws L3 to fix the 8 holes on the reverse side of the drum (as shown in Figure 13), tear off the sticker on the back of the K light strip, connect the light strip as shown in Figure 15, and place it along the middle of the inner wall of the outer wheel house The area fits evenly (see Figure 14).

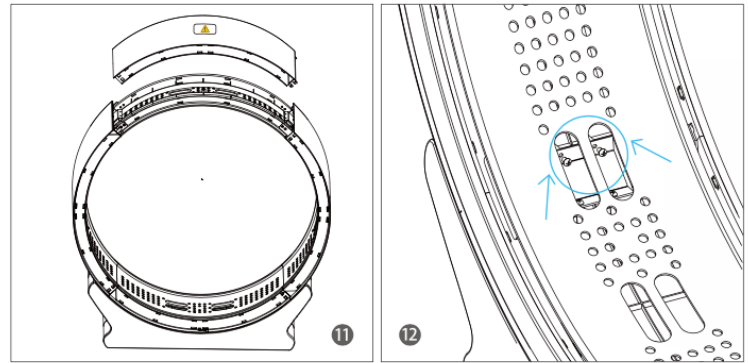


Please read carefully or watch related videos for the installation of the light strip. After the light strip is installed, align the middle marking line of the D decorative panel with the seam of the outer wheel house, fasten the buckle, and install the 8 decorative panels in sequence (as shown in Figure 16)

STEP 3 Assemble the outer wheel housing

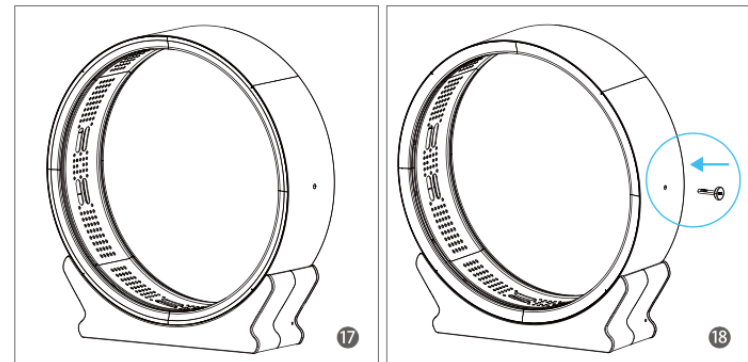


When installing part C, refer to Figure 9 to fasten the buckle, and install the left and right outer wheel covers in turn. The effect after installation is shown in Figure 10.

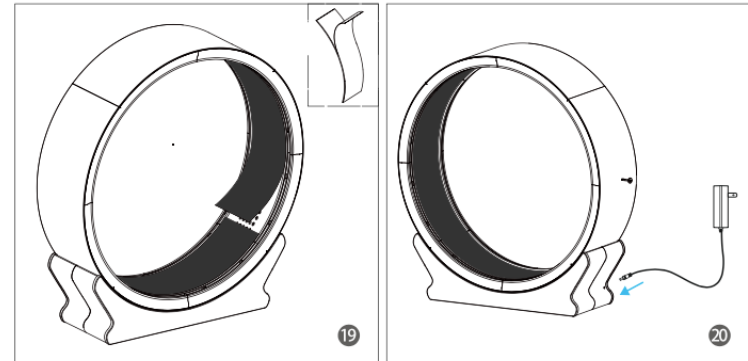


Install the C part with the warning sign on the top (as shown in Figure 11). After the buckle is fastened, lean over to find the metal connection plate of the J part, and tighten it with "screws L1. There are 4 positions on the left and right upper parts (as shown in Figure 12)

STEP 5 Other accessories installation



The installation effect of the fuselage is shown in Figure 17, and the safety lock is installed on the C1 board (as shown in Figure 18), and the main part of the product is installed.



After tearing off the adhesive sticker of the E running mat, stick it evenly to the inner side of the inner ring track (as shown in Figure 19); insert the F special power adapter (24V/2A) into the power interface of the base (as shown in Figure 20, only PLUS and MAX Version)

Note: If the paste is uneven or misplaced, it can be torn off and re-pasted. The dust can be wiped with a damp cloth, and there is no need to tear off and clean it. The company does not assume relevant responsibilities!