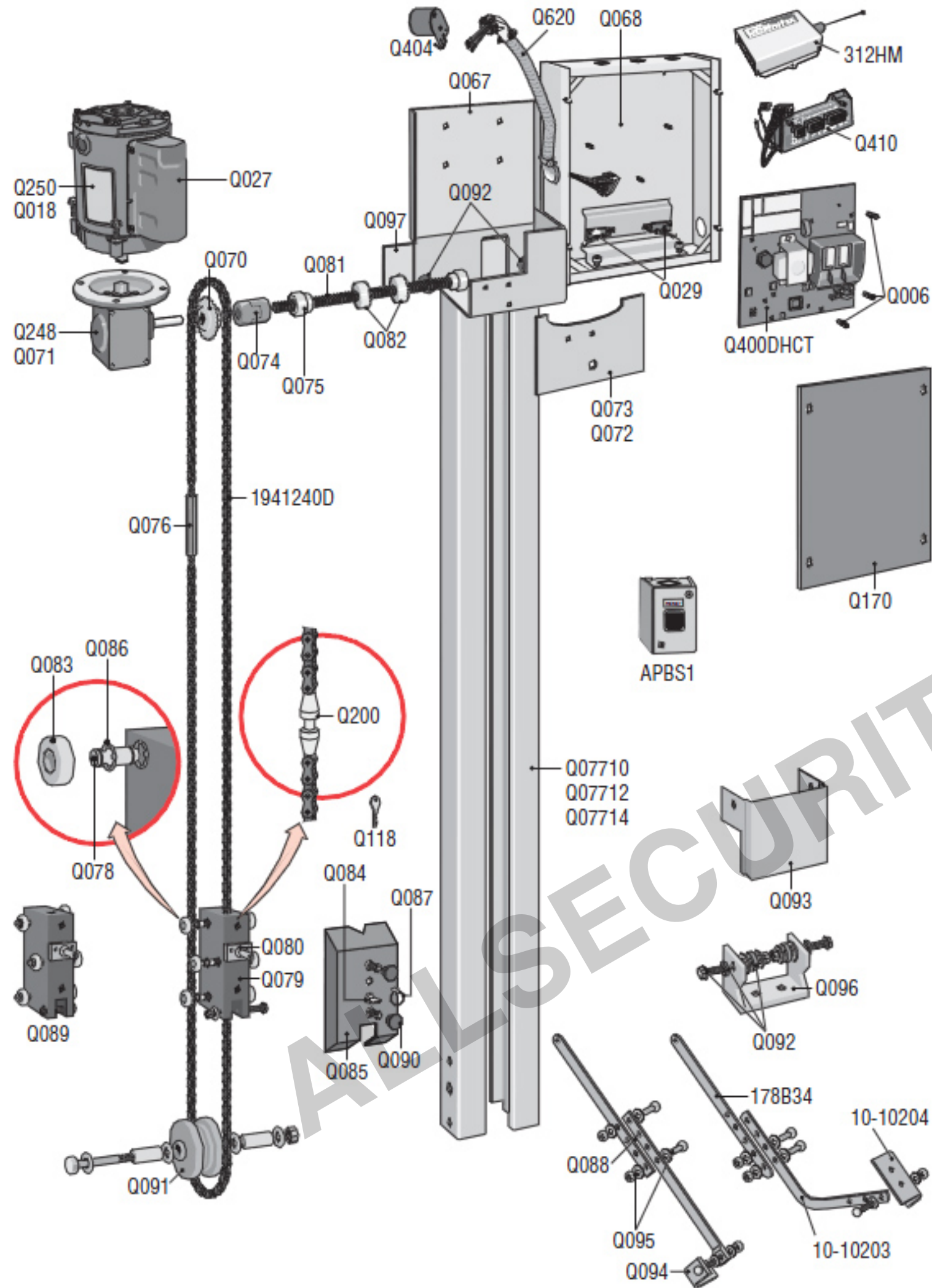


# PARTS ILLUSTRATIONS



# PARTS LIST

- 312HM - Single Channel Radio Receiver
- 1941240D - Chain #41 (per 10' box)
- Q006 - PC Board Nuts (Set)
- Q027 - Motor Capacitor
- Q029 - Limit Switch (Sold Individually)
- Q067 - Chassis
- Q068 - Electronic Box
- Q070 - Drive Sprocket
- Q073 - Gear Box Cover Post 1/99
- Q074 - Coupling (3/4 x 5/8) 3 pcs
- Q075 - Limit Switch Ball Bearing
- Q076 - Turn Buckle
- Q07710 - 10' Track, One Pair
- Q07712 - 12' Track, One Pair
- Q07714 - 14' Track, One Pair
- Q078 - Trolley Wheel Shaft
- Q079 - Trolley Body
- Q080 - Trolley Latch
- Q081 - Limit Switch Bolt
- Q082 - Limit Switch Nuts
- Q083 - Trolley Wheels
- Q084 - Emergency Key Release
- Q085 - Trolley Cover
- Q086 - Retaining Spring Clip
- Q087 - Emergency Pulling Ring
- Q088 - Gate Arm
- Q089 - Trolley Body Assembly
- Q090 - Plastic Plug
- Q091 - Idler Sprocket
- Q092 - Rubber Isolator
- Q093 - Idler Sprocket Cover
- Q094 - Arm Bracket
- Q095 - Arm Bushing
- Q096 - Header Bracket
- 10-10203 - Curved Arm Assembly
- 10-10204 - Door Bracket
- 178B34 - Straight Arm Assembly
- Q097 - Mounting Plate
- Q118 - Key for Access Door/Hercules
- Q170 - Electronic Box Cover (Black)
- Q200 - Chain Coupling/Release
- Q248 - Gear Reducer (40:1) Post 2/99
- Q250 - 1/2 HP Electric Motor Post 2/99
- Q400DHCT - OmniControl Board Post 2/07
- Q404 - Omni Alarm
- Q410 - Surge Suppressor Terminal Block
- Q620 - Motor Harness Omni
- APBS1 - Reset Button
- 40-3505 - U.L. Warning Sign (not shown)