

CL OF EPT IN FRAME MUST ALIGN WITH CL OF EPT IN DOOR

RECOMMENDED 6" BELOW UPPER HINGE ON DOORS UP TO 7'0" HIGH. LOCATE 24" BELOW UPPER HINGE ON DOORS OVER 7'0" TO 10'0" HIGH. NOTE: FOR WOOD FIRE DOORS, CONSULT DOOR MANUFACTURER FOR APPROVED LOCATION.

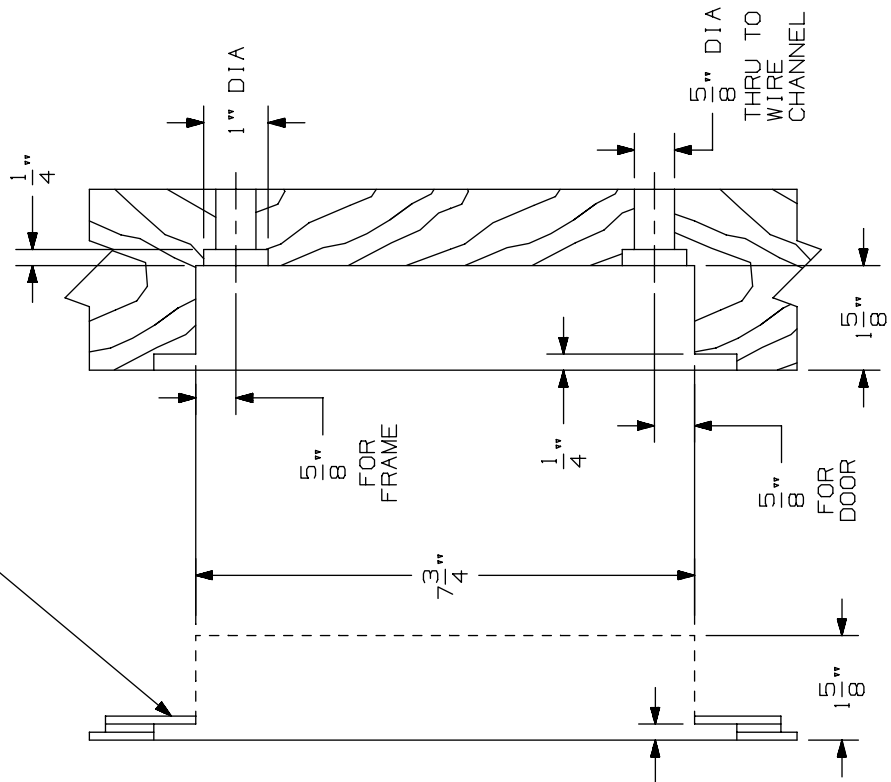
③

WOOD: HOLES PREPARED DURING INSTALL.
METAL: #10-24 TAPPED HOLE 12 PLACES

3 3/4" MAX. WHEN INSTALLED

7" FROM OUTSIDE FACE OF DOOR

REINFORCEMENT .060" (16 GA.) MINIMUM



WOOD DOOR OR FRAME (SIDE VIEW)

METAL DOOR OR FRAME (SIDE VIEW)

DOOR (OPEN 180°)

FRAME

1 1/4" MIN.

* ALL DIMENSIONS ARE TYPICAL

Power Transfer Unit EPT2, EPT10, & PNT1

VON DUPRIN®

NOTES: SEE MASTER SHEET #10001 FOR SUGGESTED REINFORCING

TEMPLATE NUMBER:

W40250_a

DATE: 05-29-13