



911402-00

# 33/35A Series

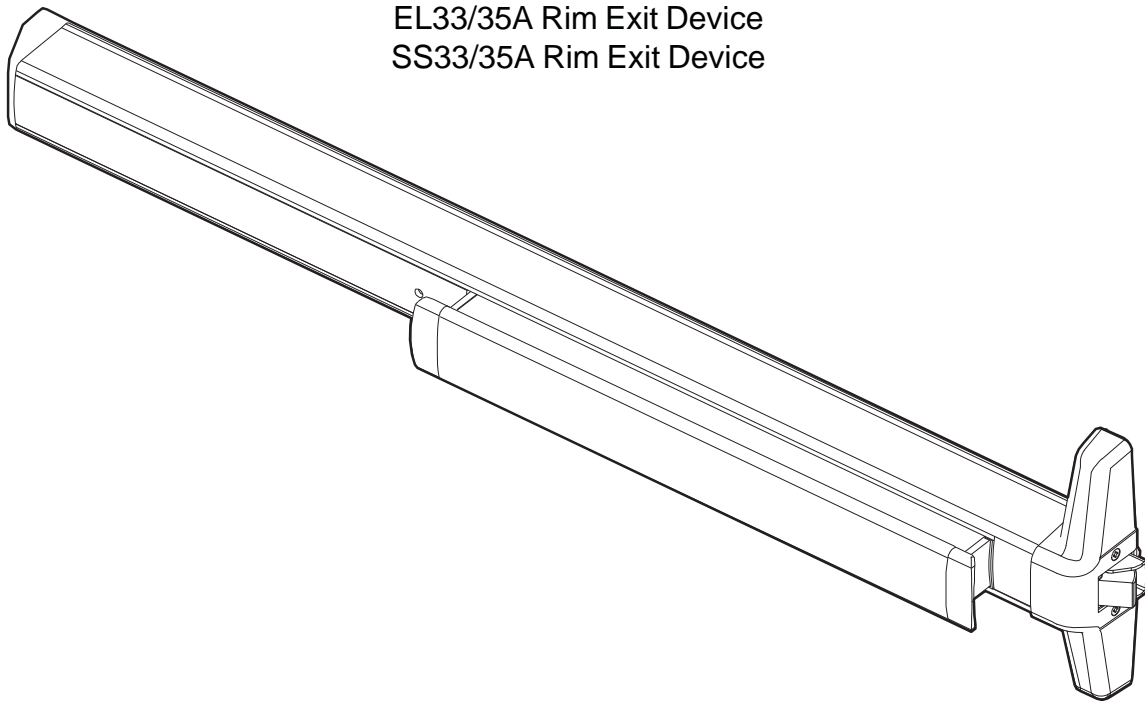
# VON DUPRIN®

Rim Exit Device

Installation Instructions

### Devices covered by these instructions:

- 33/35A Rim Exit Device
- CD33/35A Rim Exit Device
- EL33/35A Rim Exit Device
- SS33/35A Rim Exit Device



**Special tools needed:**

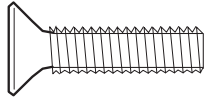
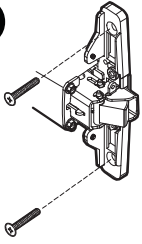
5/64" hex wrench  
 #10-24 tap  
 Drill bits: #25, 1/8", 1/4",  
 5/16", 13/32"

**Index:**

- Screw chart ..... 2
- Device installation ..... 3-5
- Optional equipment ..... 6
- Strike preparation ..... 7-8
- Templates ..... 9-10

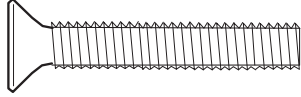
# SCREW CHART

**A**



1/4-20 x 1" \_\_\_\_\_

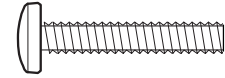
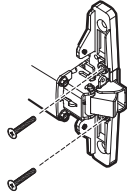
Trim mount or sex bolts:  
(1-3/4" door)



1/4-20 x 1-1/2" \_\_\_\_\_

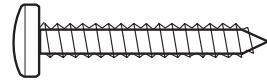
(2-1/4" door)

**B**



#10-24 X 1" \_\_\_\_\_

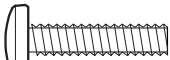
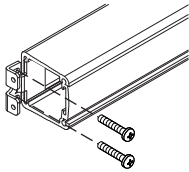
Metal door surface mount  
(Yellow)



#10 X 1-1/4" \_\_\_\_\_

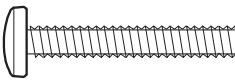
Wood door surface mount

**C**



#10-24 X 3/4" \_\_\_\_\_

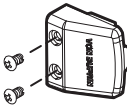
Surface mount or  
Sex bolts 1-3/4" door (silver)



#10-24 X 1-1/8" \_\_\_\_\_

Sex bolts 2-1/4" door (silver)

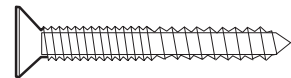
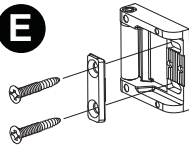
**D**



#10-16 X 3/8" Thread cutting \_\_\_\_\_

End cap

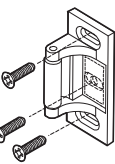
**E**



#10-12 x 10-24 x 1-1/4" combination \_\_\_\_\_

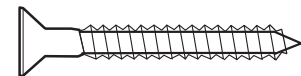
Metal or wood frame

**F**



#10-24 X 3/4" \_\_\_\_\_

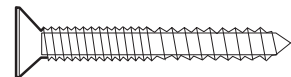
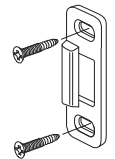
Metal frame



#10 X 1-1/2" Wood screw \_\_\_\_\_

Wood frame

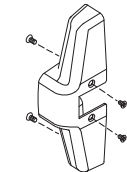
**G**



#10-12 x 10-24 x 1-1/4" combination \_\_\_\_\_

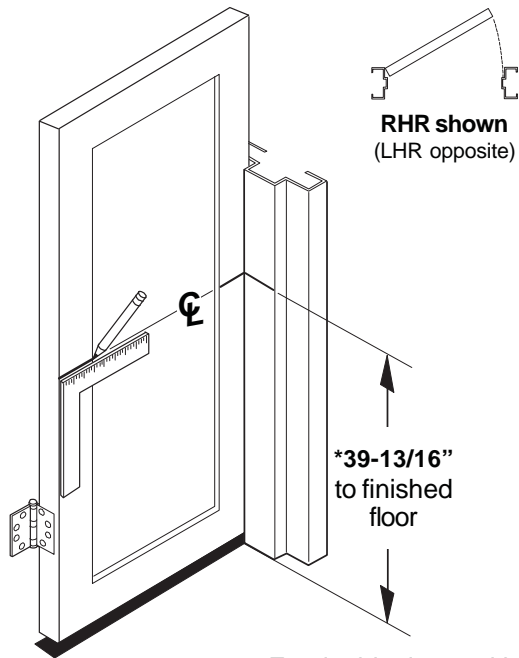
Metal or wood frame

**H**



#8-18 x 3/8" thread cutting \_\_\_\_\_

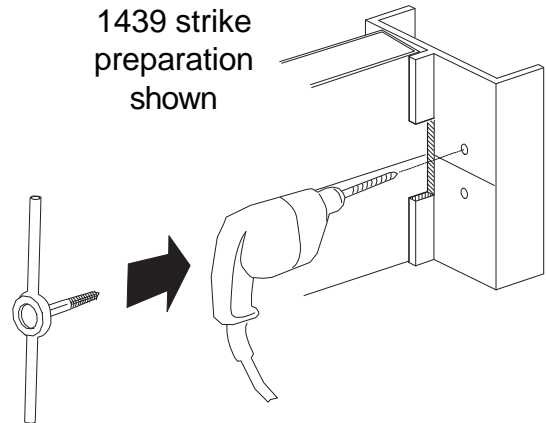
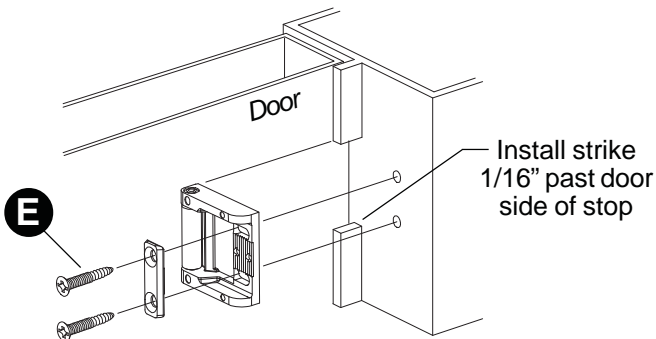
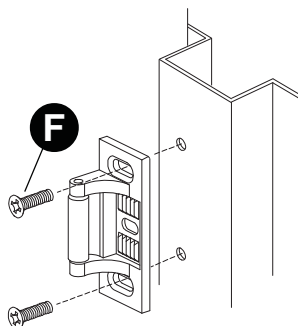
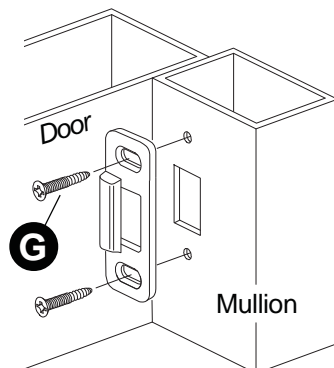
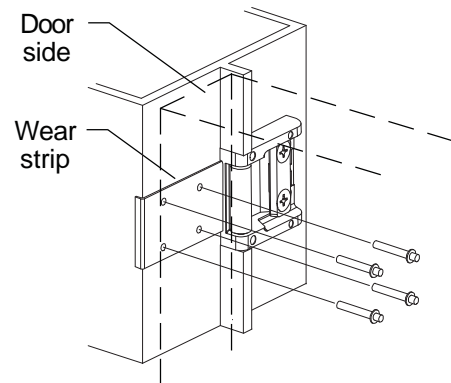
Center case cover

**1****Draw device center line (C) on door and frame as shown.**

\* For double doors with a mullion and strike already installed, use existing strike center line.

**2****Prepare frame for strike using paper templates.**

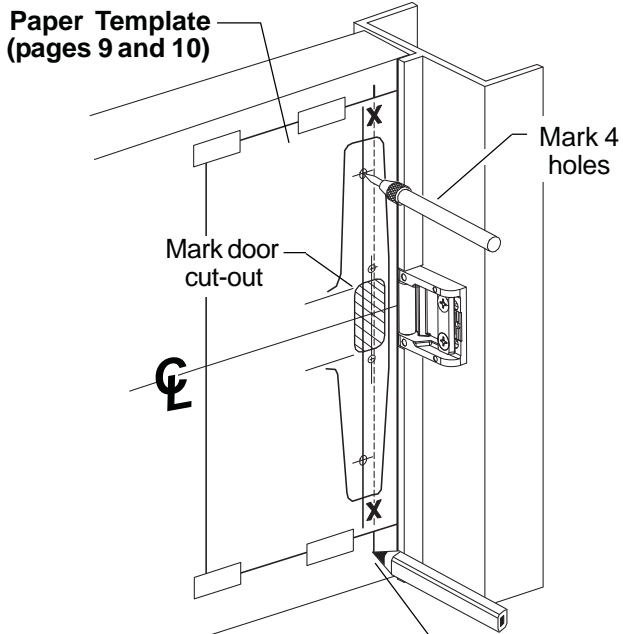
See pages 7 and 8 for strike templates and frame preparation dimensions.

**3****Install strike using two screws only at this time.****1439 Strike (standard)****299 Strike****1606 Strike****4****If using a 1439 strike, install wear strip. If not, go to step 5.**

- A. Center wear strip on strike as shown.
- B. Mark and drill 1/8" dia. holes (4 places).
- C. Install wear strip with flat head drive rivets (4 places) from 1439 strike package.

# 5

## Tape template to door and mark door.



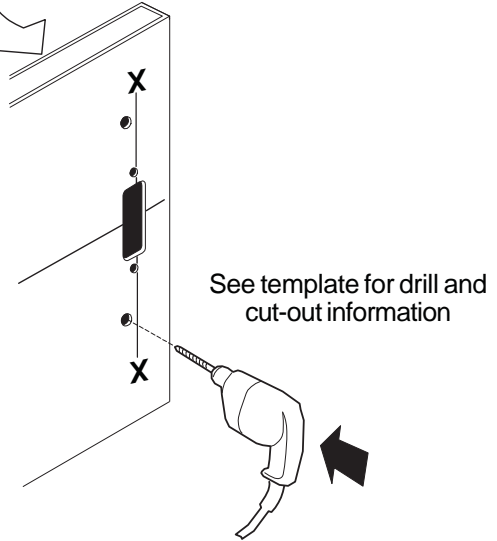
Mark vertical line X-X for trim alignment

Note: Line X-X is a reference line on the paper template used for trim and exit device alignment. Line X-X shown here should correspond to line X-X in the trim installation instructions

# 6

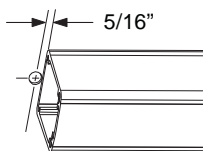
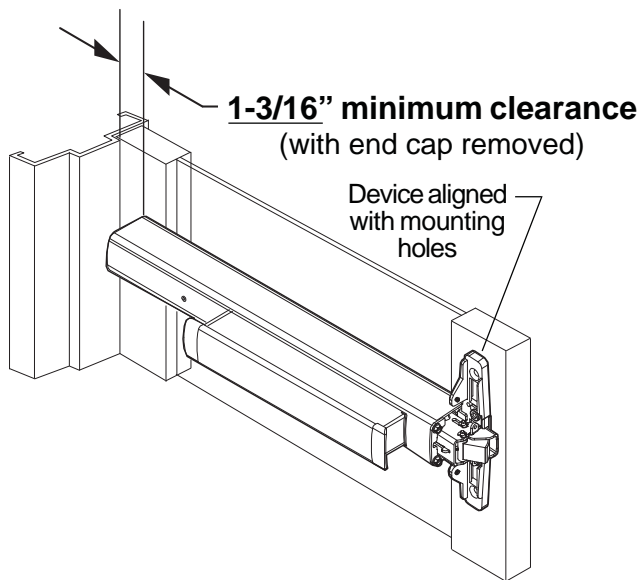
## Prepare lock side of door for device and trim.

See trim instructions for pull side door preparation.



# 7

## Measure to determine length to cut device.



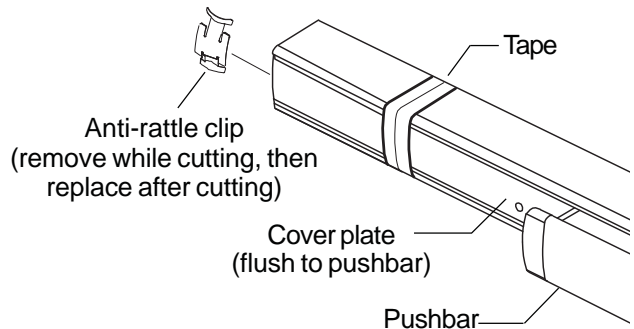
### Note

If 5/8" diameter wire access hole has been predrilled in door, cut device 5/16" from center of hole.

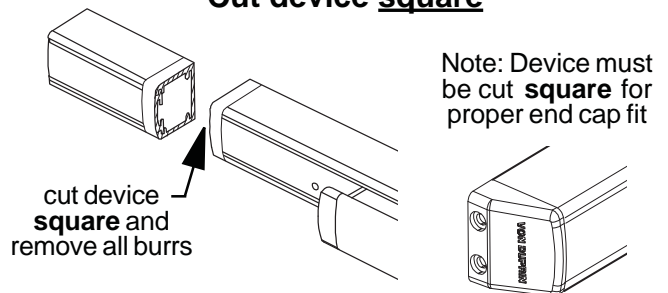
# 8

## Cut device to length.

### Prepare device for cutting

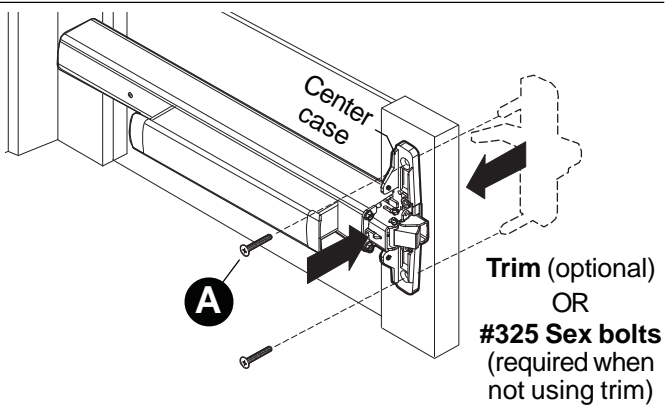
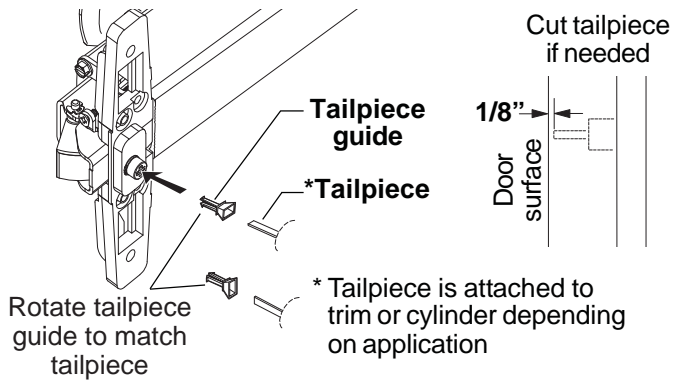


### Cut device square



# 9

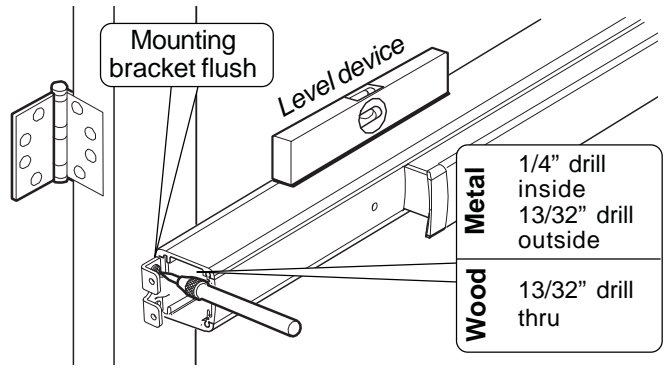
## Install trim (if using) and secure device center case to door.



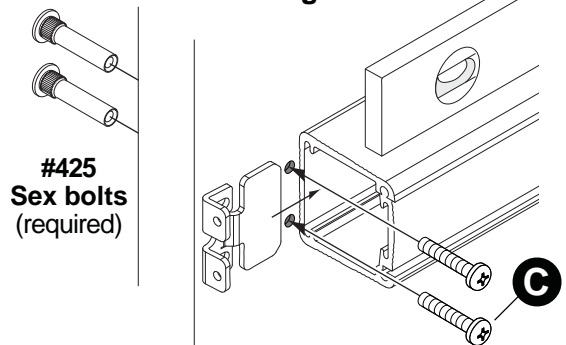
# 10

## Install hinge stile mounting bracket.

### Mark and prepare 2 mounting holes



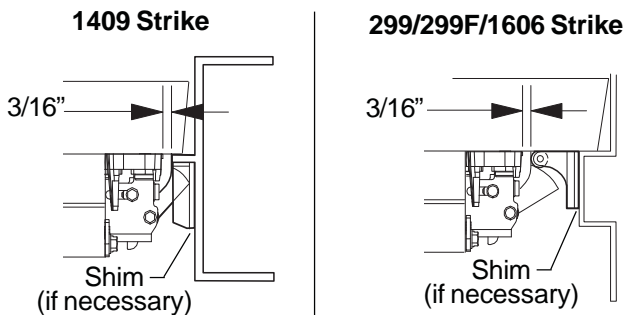
### Secure mounting bracket



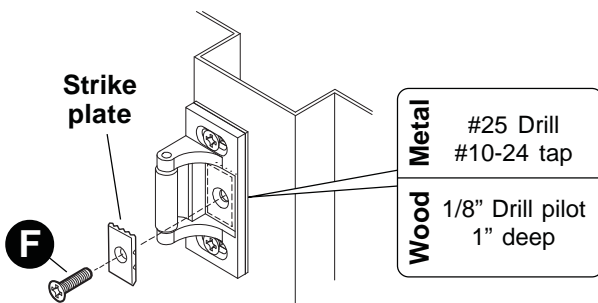
# 11

## Adjust strike with shim (if necessary) and secure strike.

### Shim strike for 3/16" clearance to chassis

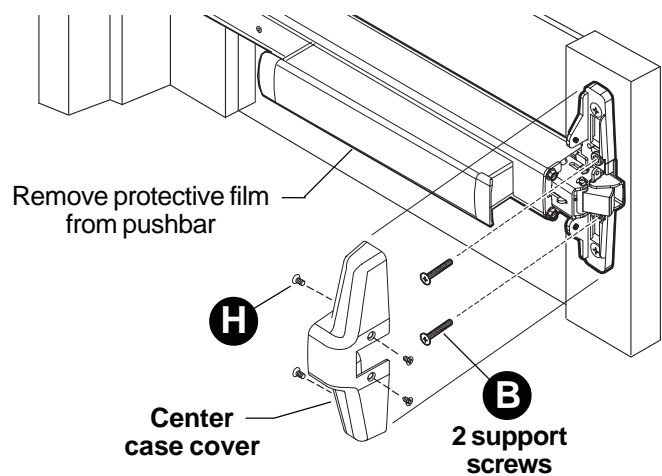


### 299 - Add plate and middle screw

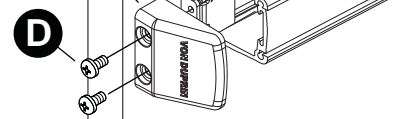


# 12

## Install 2 support screws, center case cover, and end cap.



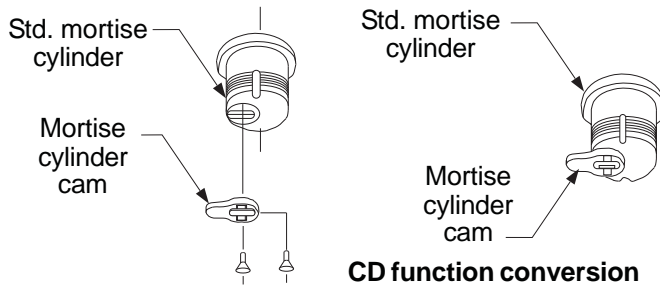
### End cap



# OPTIONAL EQUIPMENT

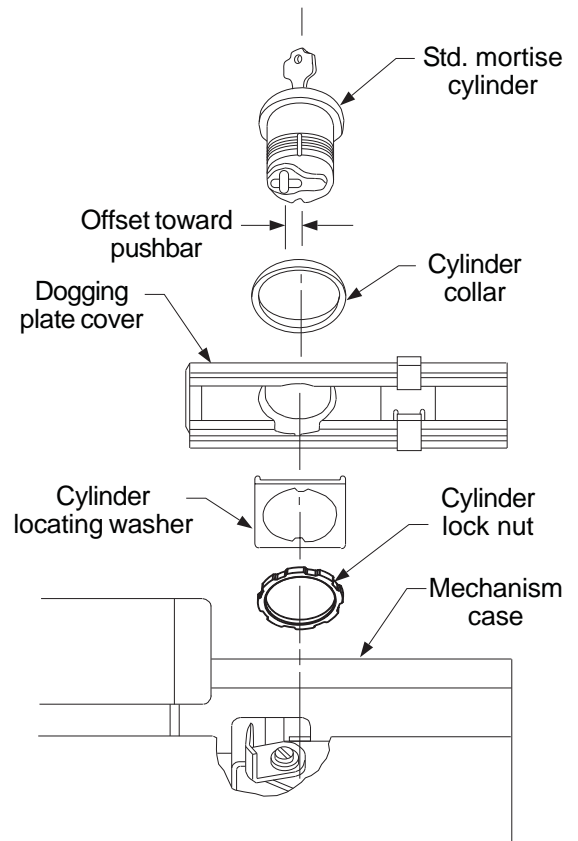
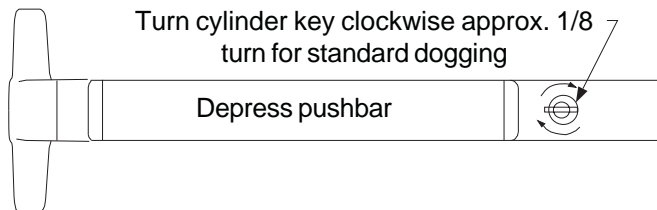
## CD (CYLINDER DOGGING)

1. Remove mortise cylinder cam and reinstall in reverse (Figure 1).
2. Insert key and rotate cam to install the cylinder to the cover plate (Figure 2).
3. Remove key to slide cover plate in position in the mechanism case.



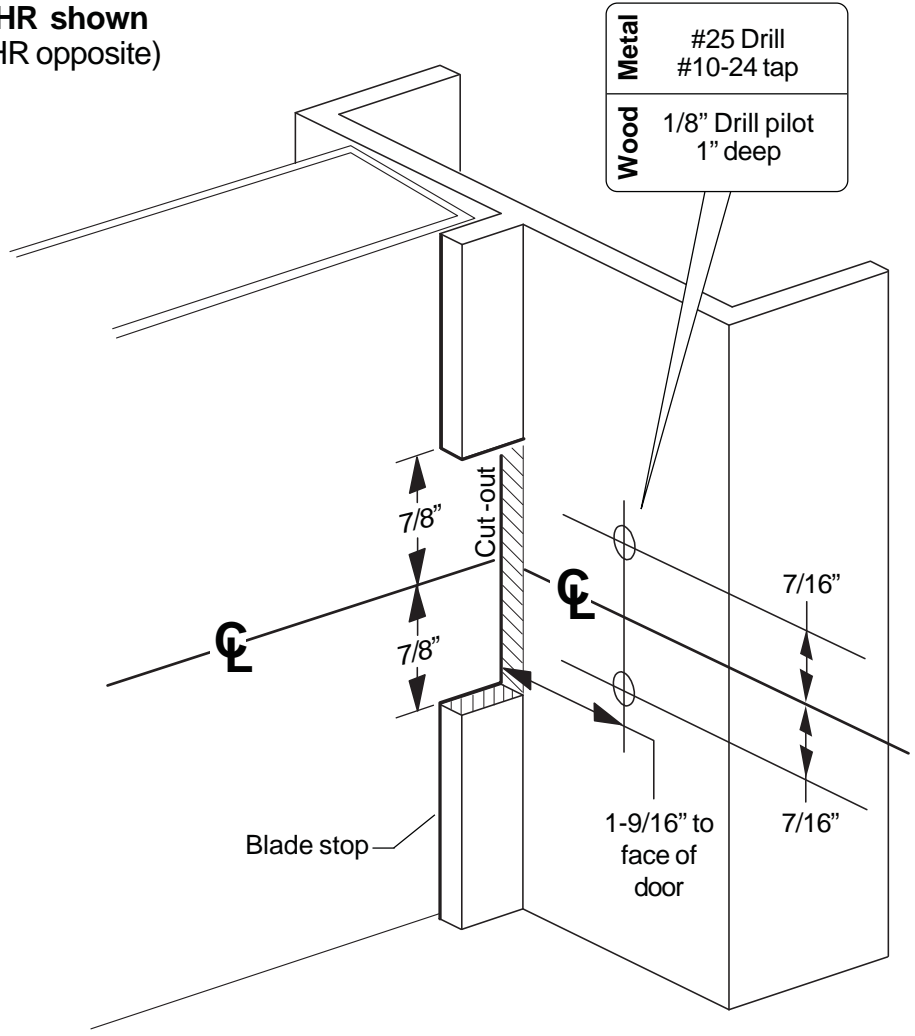
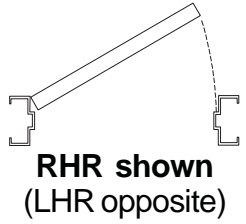
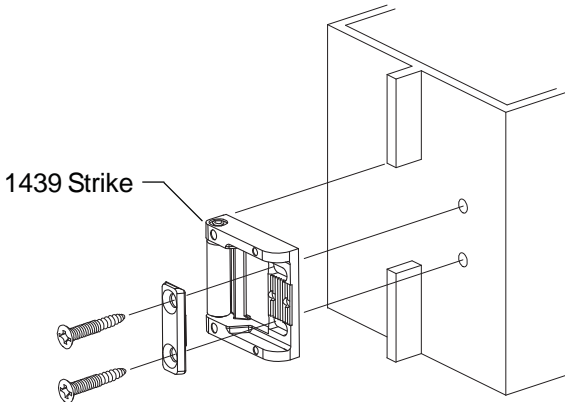
**Figure 1**

### Dogging procedure

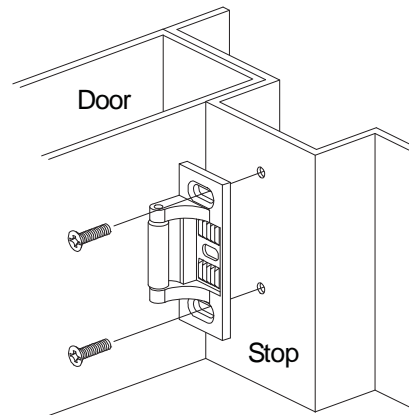


**Figure 2**

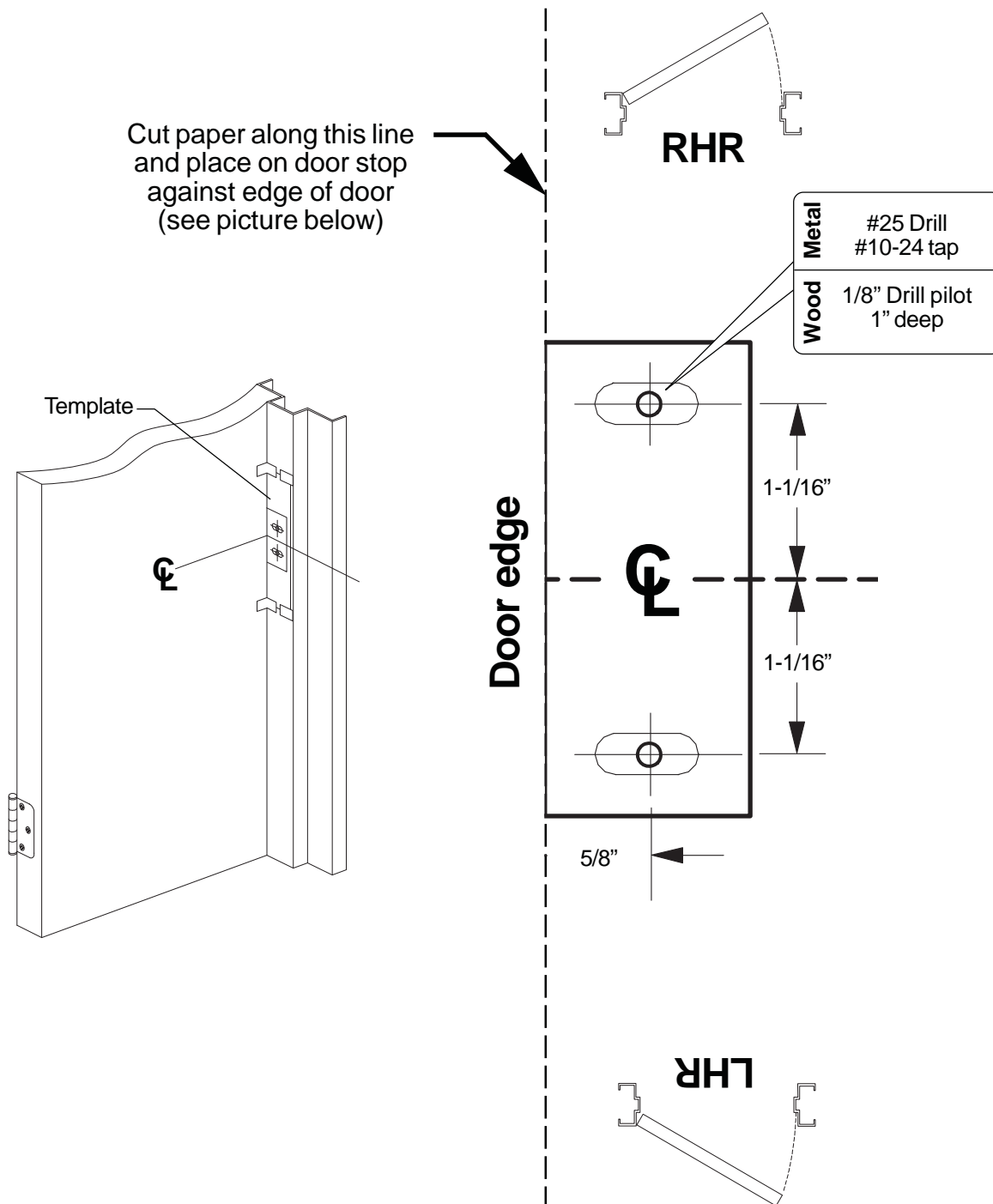
# 1439 Strike Frame Preparation



# 299 Strike Template



Cut paper along this line and place on door stop against edge of door (see picture below)

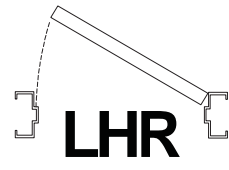




# 33/35A Rim device Template

Line X-X is a reference line for trim and exit device alignment.  
Line X-X shown here should correspond to line X-X in the trim installation instructions

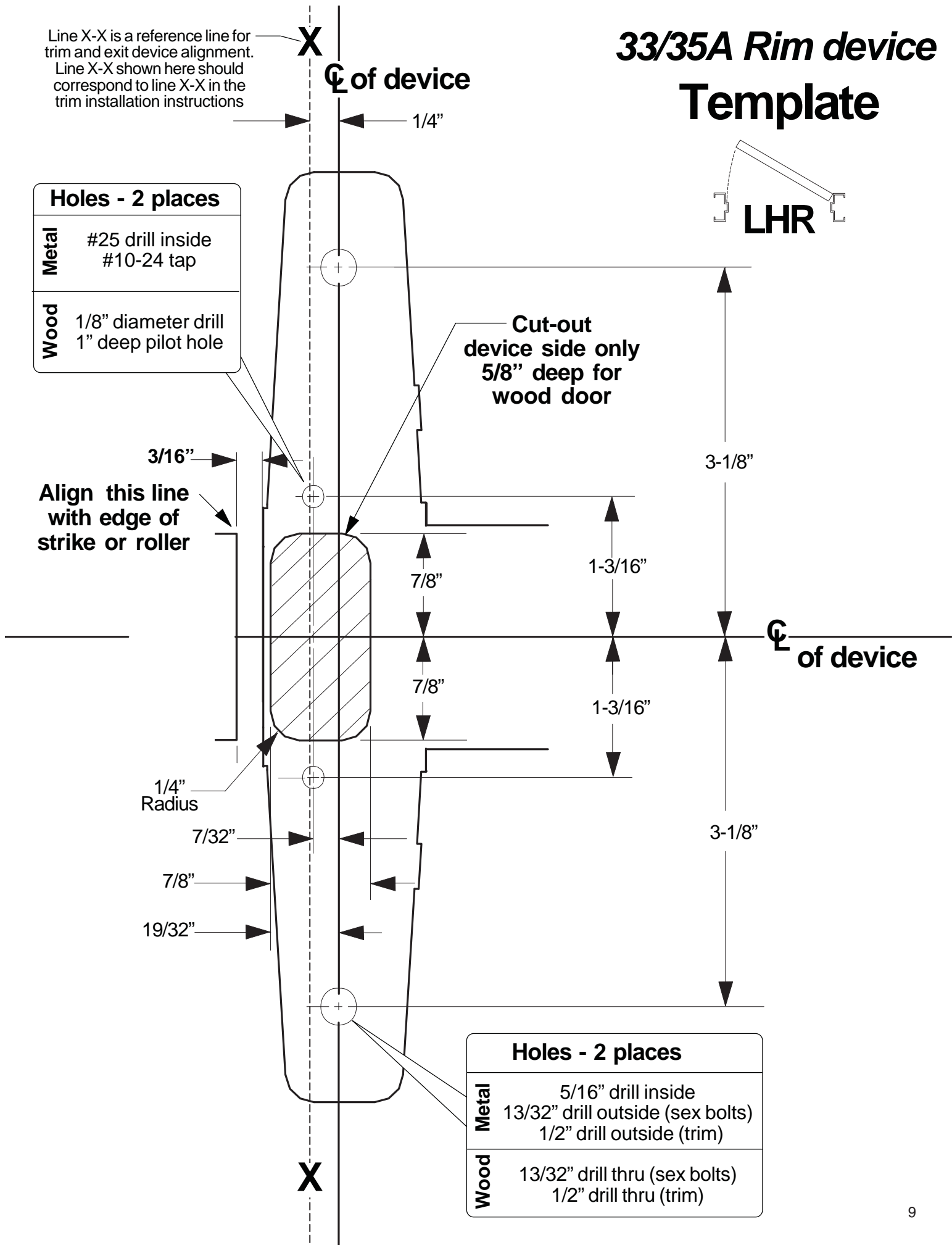
**X**  
C of device



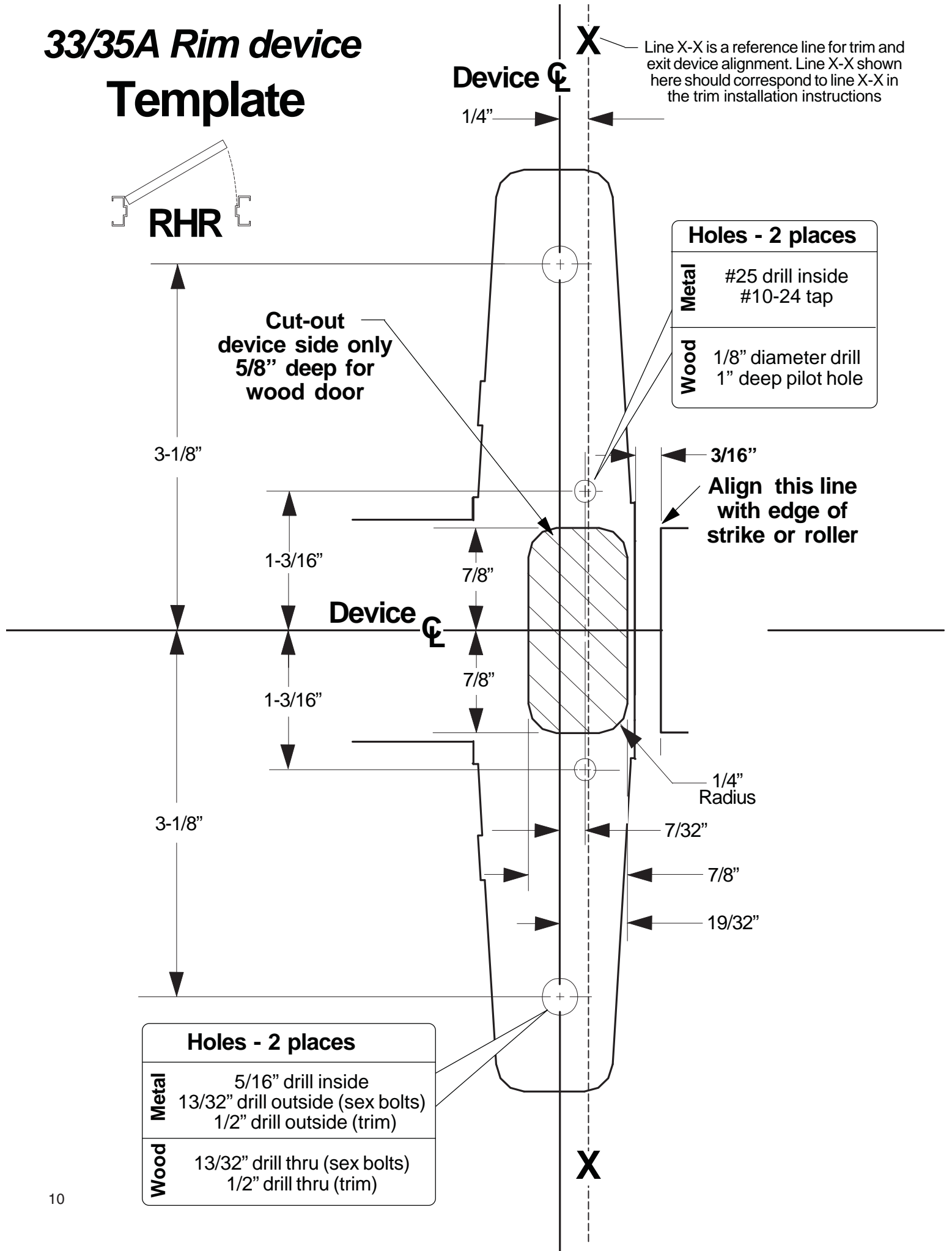
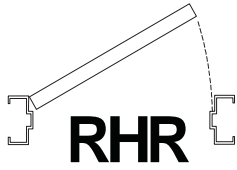
| Holes - 2 places |   |
|------------------|---|
| <b>Metal</b>     | #25 drill inside<br>#10-24 tap            |
| <b>Wood</b>      | 1/8" diameter drill<br>1" deep pilot hole |

Cut-out device side only  
5/8" deep for wood door

3/16"  
Align this line with edge of strike or roller



# 33/35A Rim device Template



This page  
intentionally  
left blank



|                         |  |
|-------------------------|--|
| <b>Customer Service</b> |  |
| 1-877-671-7011          | <a href="http://www.allegion.com">www.allegion.com</a> |

© Allegion 2014  
Printed in U.S.A.  
911402-00 Rev. 01/14-c