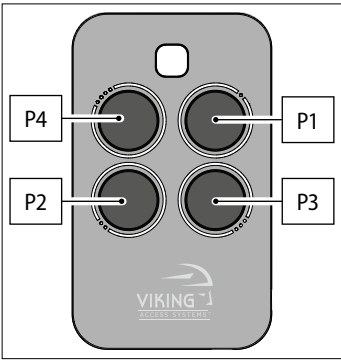


# FA-XT4-RC



## INTENDED USE

The FA-XT4-RC is a transmitter designed for automatic vehicle and pedestrian entrance applications.

## LIMITATIONS OF USE

The transmitter must not be used in the 'Dead-man' operating mode.

## UNAUTHORIZED USE

Uses other than the intended use are prohibited.

Do not allow the control devices to be used by anyone who is not specifically authorized and trained to do so.

Do not allow the control devices to be used by children or persons with mental and physical deficiencies unless they are supervised by an adult who is responsible for their safety.

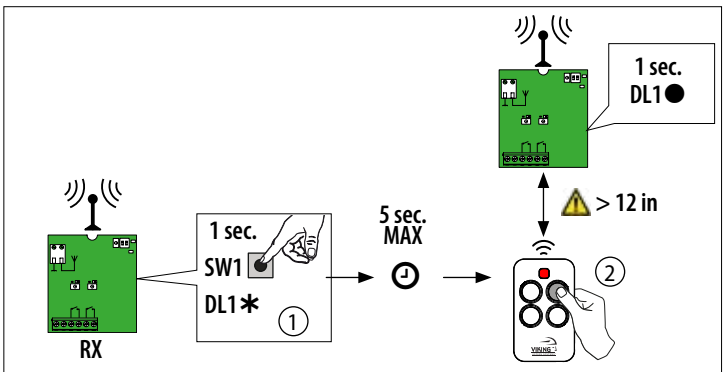


The battery must be replaced at an authorized service center or by a qualified technician.

Components and structural materials, batteries and electronic components must not be disposed of together with household waste. They must be taken to authorized disposal and recycling centers.

Brand:	VIKING
Model:	FA-XT4-RC
Channels:	4
Frequency:	433.92 MHz
RF power:	10 mW
Power supply:	Alkaline battery type 23A

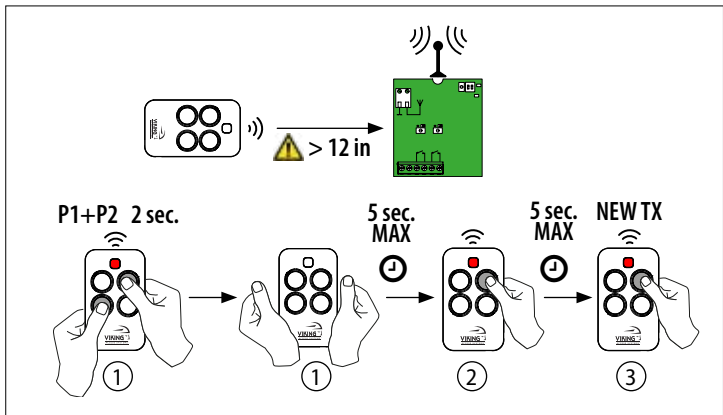
● ON    ○ OFF    \* flash



① Enable learning on the receiver: press SW1 for 1 sec. DL1 will start flashing

② Within 5 sec. press and hold the desired transmitter button until the receiver DL1 LED illuminates solid for 1 sec. indicating that programming is completed.

Note: The receiver remains in learning mode for 10 sec. Other transmitters can be stored on the same channel



**Adding new transmitters without accessing the receiver:** Using a transmitter already stored on the receiver

① press P1 and P2 for 2 sec. Release them. Press the push-button already stored ②. Press the button on the new transmitter that needs to be copied ③.



Viking Access Systems  
631 Wald Irvine, CA 92618  
800-908-0884  
[www.vikingaccess.com](http://www.vikingaccess.com)