



GIELIGHT 金杰亮

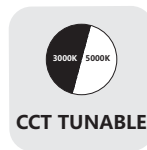
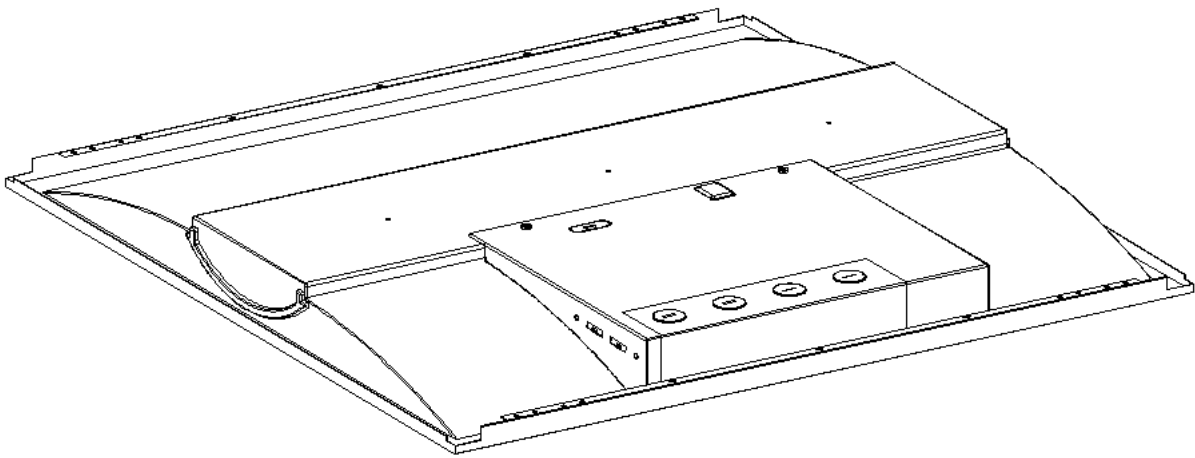
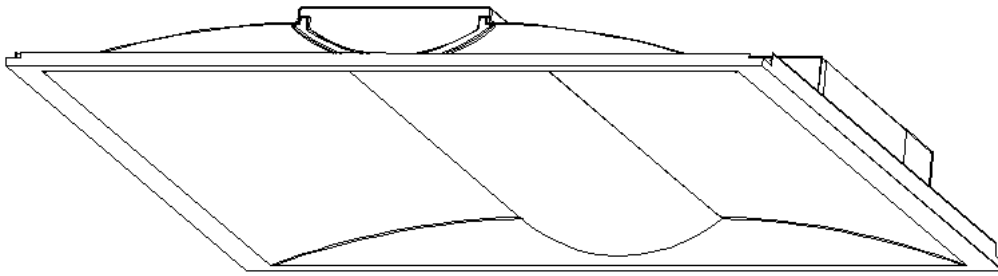
GIELIGHT CO., LTD



# Power and CCT Tunable LED Troffer Light

cETL DLC 5.1, Premium

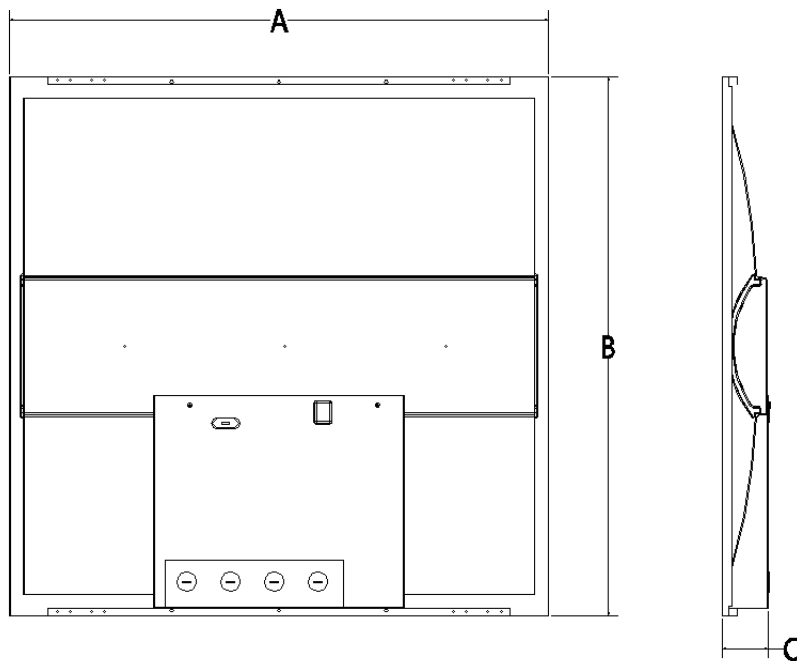
# Product Appearance



# Product Features

- 1. DIP Switch: 3 different Power and 3500K-4000K-5000K CCT tunable.
- 2. Smooth and comfortable light.
- 3. High lighting efficiency:> 130lm/W.
- 4. Ra>80, PF>0.95, THD<15%.
- 5. White Metal body, ensures durable quality and efficient heat dissipation.
- 6. High-quality 0-10V dimming isolated driver. High driver efficiency:>90%.
- 7. Smart options for bi-level dimming, motion sensor and emergency functions.
- 8. Convenient access to retrofit. Ideal for office, retail and other architectural spaces.
- 9. ETL and DLC
- 10. Five years' warranty.

# Product Dimension

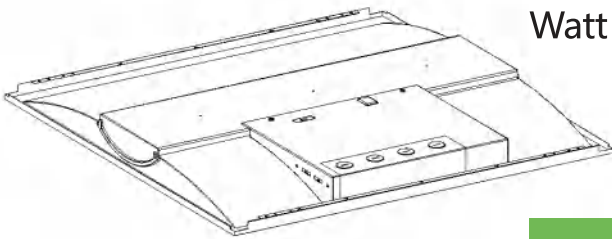


size	Mode	A (inch)(mm)	B (inch)(mm)	C (inch)(mm)
2x2FT	TTR-22-40W-L-HY	23.74" (603mm)	23.74" (603mm)	1.97" (50mm)
2x4FT	TTR-24-50W-L-HY	47.72" (1212mm)	23.74" (603mm)	1.97" (50mm)



# Specification

Mode	Power	Input Voltage	Dimmable	Input Current	PF	Light Efficacy	Ra	CCT
TTR-22-40W-L-HY	30-35-40W	AC100-277V	0-10V	0.4A	>0.9	130lm/w	80	3500K-4000K-5000K
TTR-24-50W-L-HY	30-40-50W	AC100-277V	0-10V	0.5A	>0.9	130lm/w	80	3500K-4000K-5000K

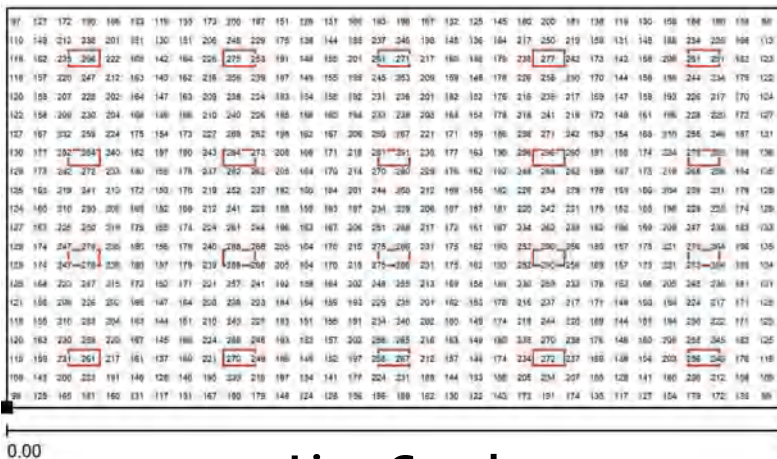


30W 3500K  
30W 4000K  
30W 5000K

35W 3500K  
35W 4000K  
35W 5000K

40W 3500K  
40W 4000K  
40W 5000K

# Simulation chart



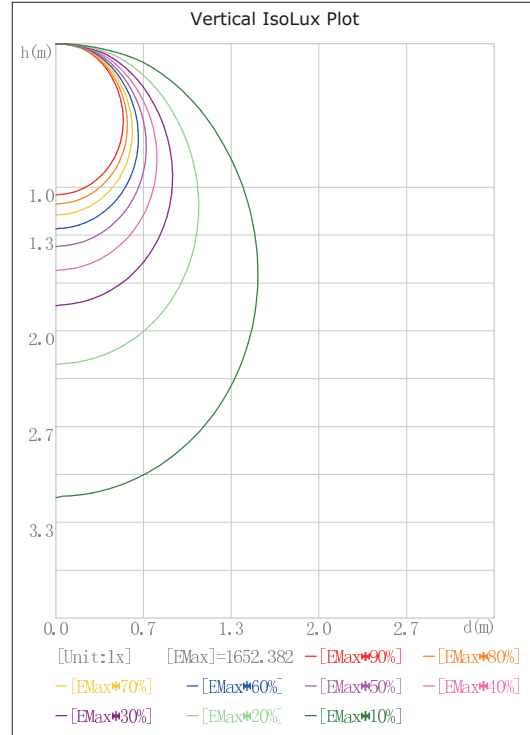
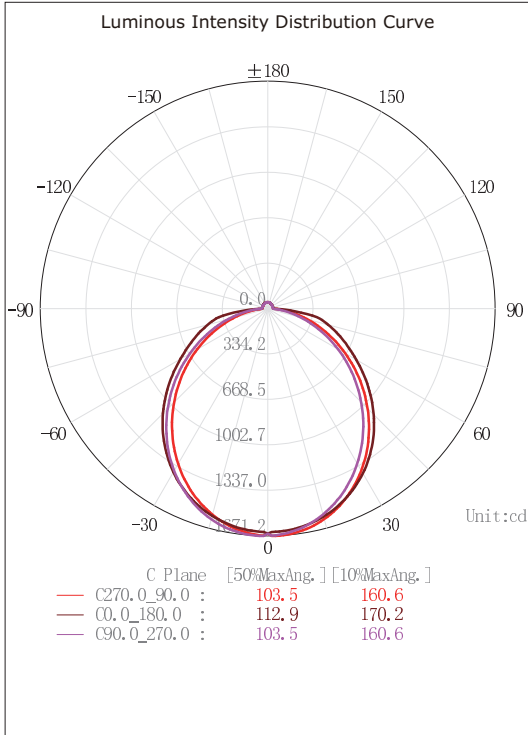
Line Graph



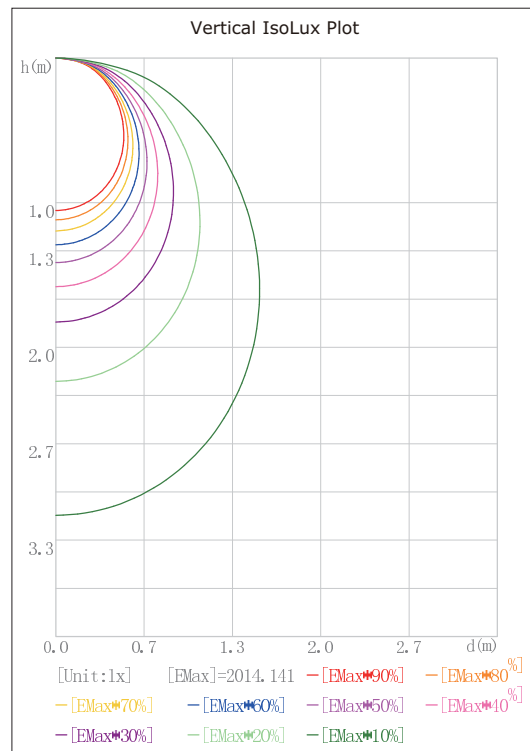
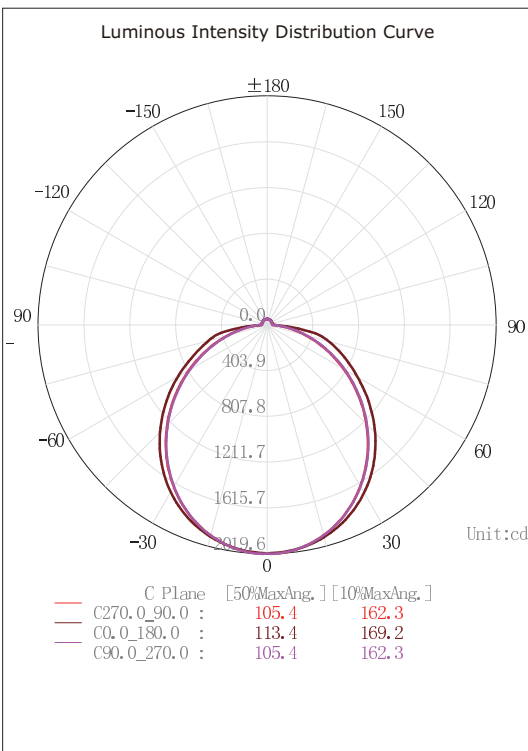
Thermal Imaging

# Testing Report

## 2X2 LUMINOUS INTENSITY DISTRIBUTION DIAGRAM

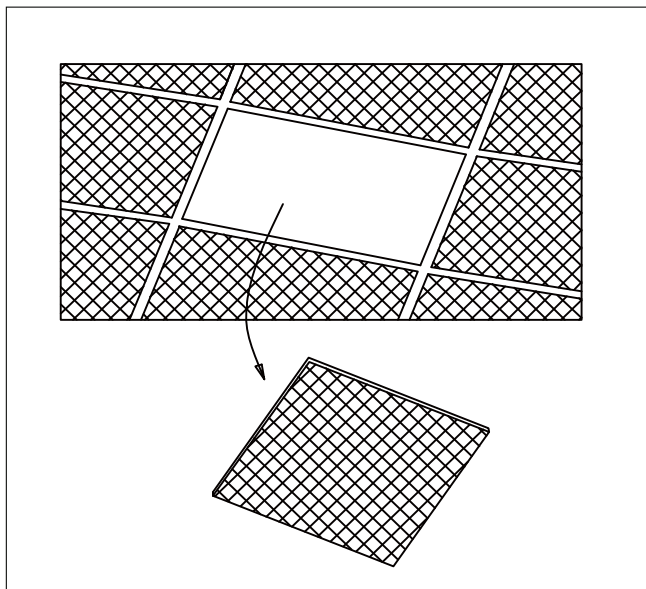


## 2X4 LUMINOUS INTENSITY DISTRIBUTION DIAGRAM

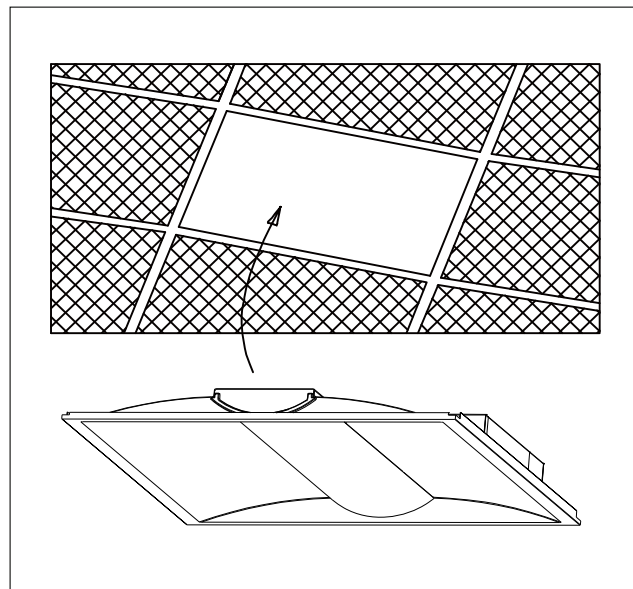


# Installation

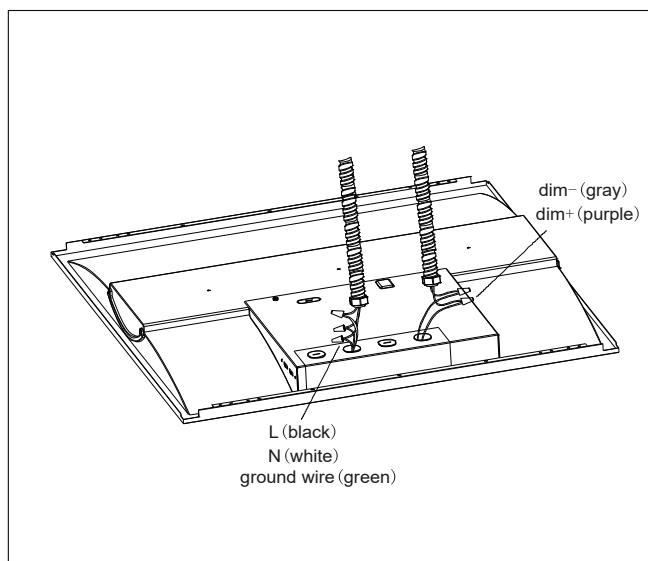
1. Remove 2x2 or 2x4 the from ceiling



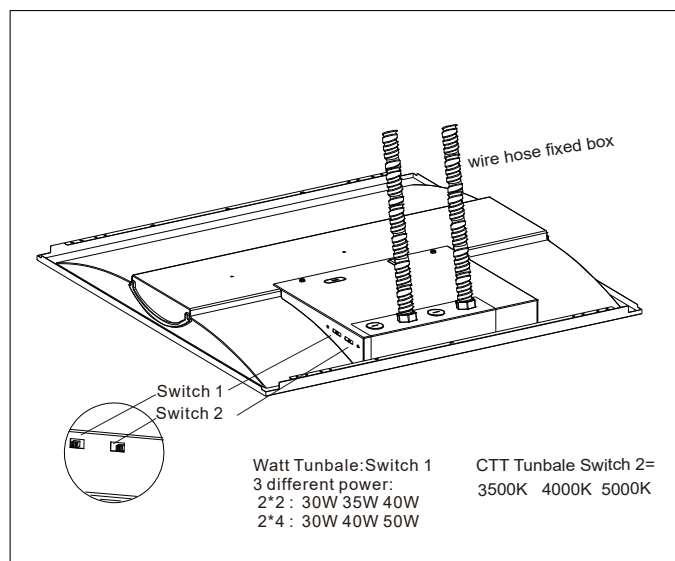
2. Put on the LED troffer



3. Connecting wire: As shown in the following figure: leading the wires pls use terminal cap to connect white wires, black wires and ground wires in pairs if dimming function is needed, then you need use terminal cap to connect purple wires and gray wires in pairs.



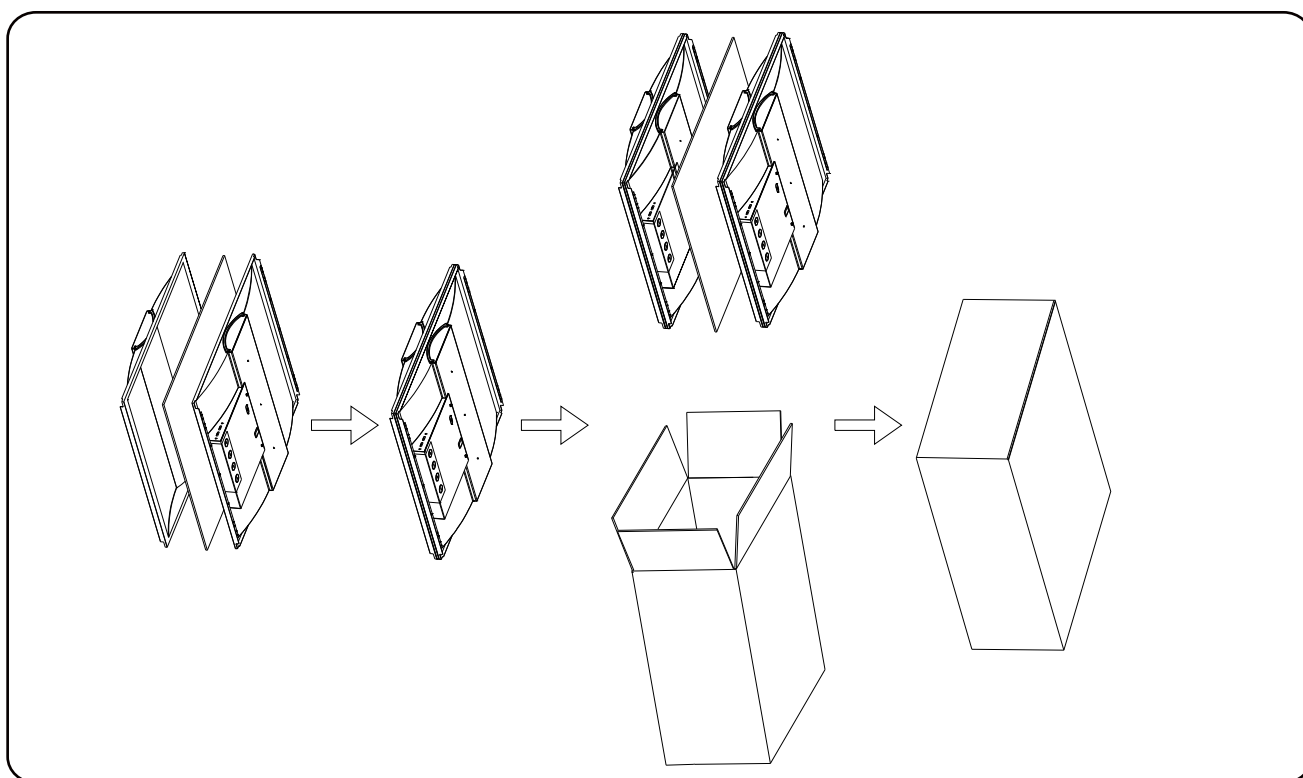
4. Fixed wire hose on the troffer, Then installation is completed. (0-10V CCT& Watts adjustable isolated-driver)



## Finished products Packing / Weight

Part NO.	Outer Carton Size (LxWxH)	Qty/Carton (pcs)	Net weight (kg)(lbs)	Gross weight (kg)(lbs)	20GP (QTY)	40HQ (QTY)
TTR-22-40W-L-HY	(613*220*625mm) (24.13x8.66"x24.6")	4PCS	2.6Kg 5.7lbs	6.2Kg 13.6 lbs	1328	3040
TTR-24-50W-L-HY	(1223*220*625mm) (48.15"x8.66"x24.6")	4PCS	4.6Kg 10.1lbs	10.5Kg 23.1lbs	644	1544

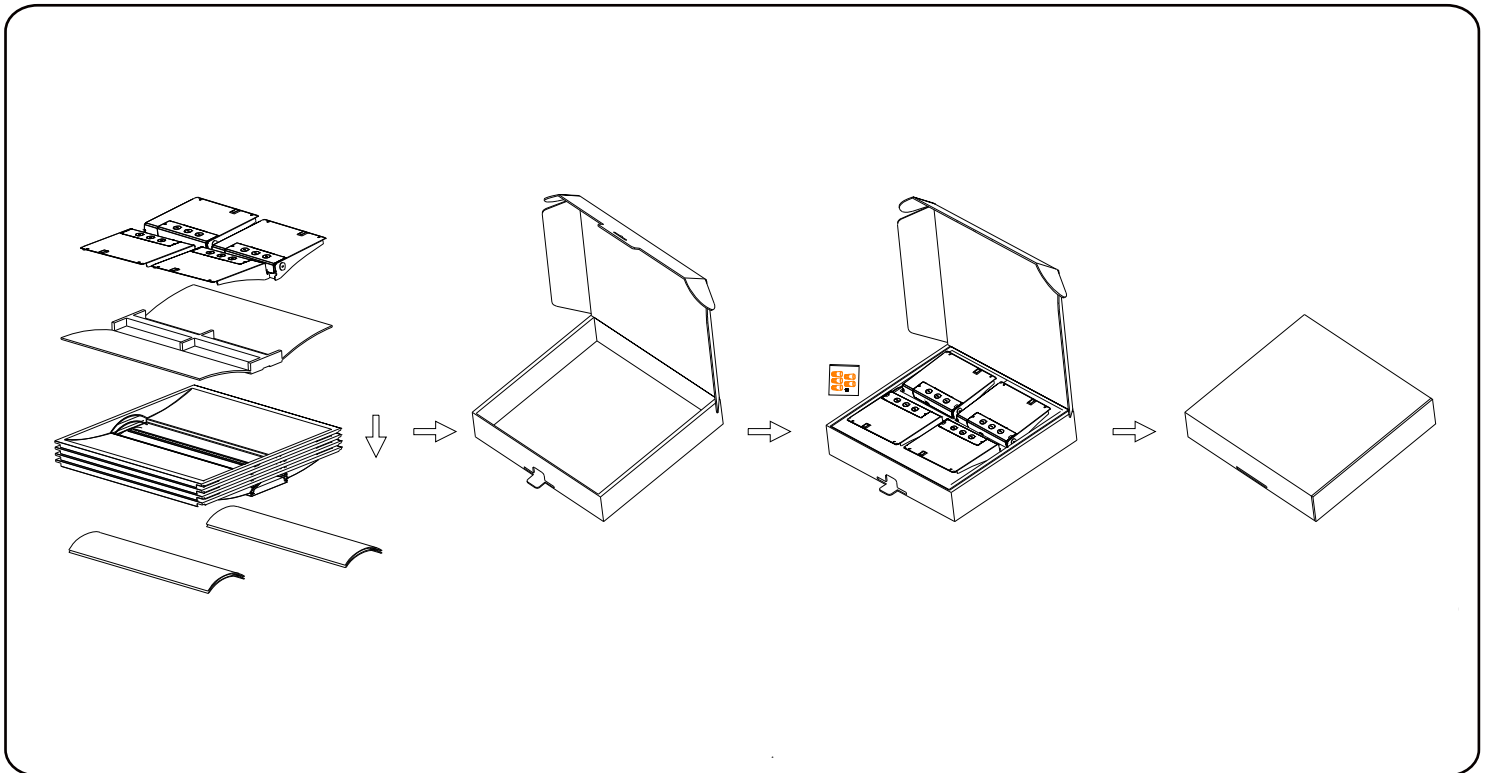
## Packing



# Semi-finished products' Packing / Weight

Part NO.	Outer Carton Size (LxWxH)	Qty/Carton (pcs)	Net weight (kg)(lbs)	Gross weight (kg)(lbs)	20GP (QTY)	40HQ (QTY)
TTR-22-40W-L-HY	(645*615*130mm) (25.39x24.21"x5.12")	4PCS	2.6Kg 5.7lbs	11.4Kg 22.88 lbs	2016	5000
TTR-24-50W-L-HY	(1255*615*130mm) (49.4"x24.21"x5.12")	4PCS	4.6Kg 10.1lbs	20.0Kg 44.0lbs	1052	2568

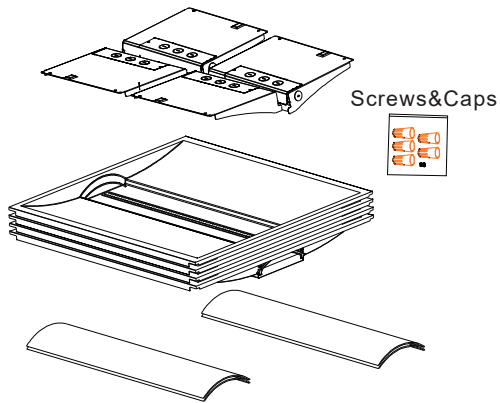
## Packing Method



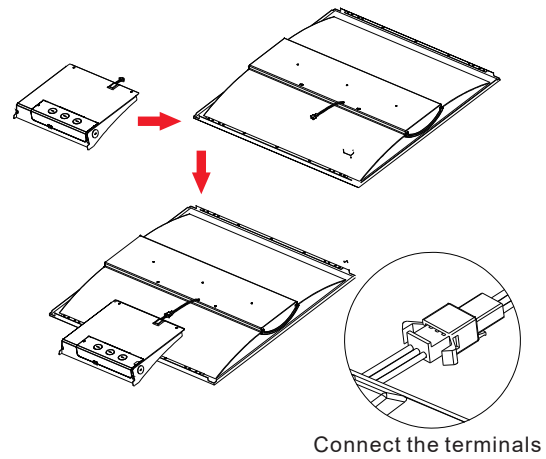


# Semi-finished products Assembling Manul

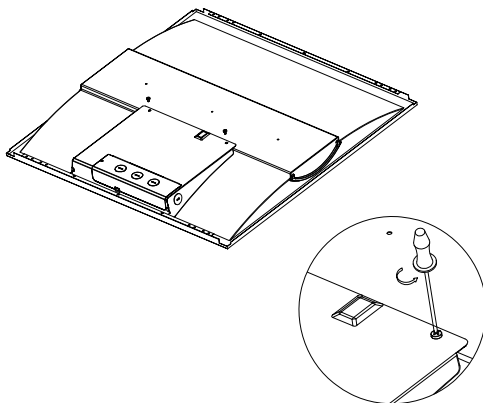
1. Products received by customer.



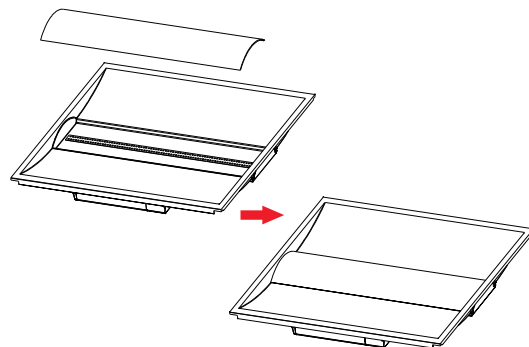
2. Connect the driver to PCB.



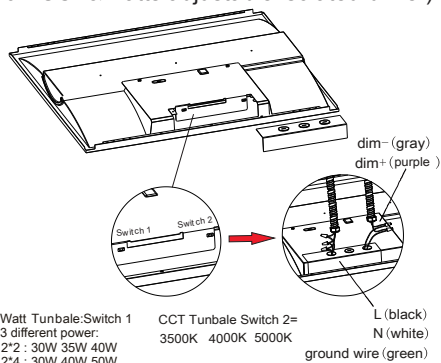
3. Screw up the driver cover to the housing.



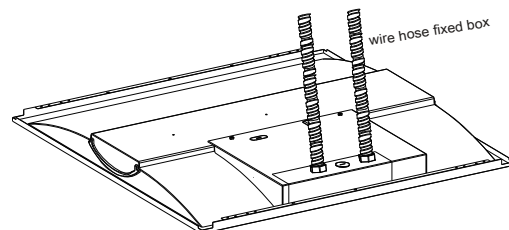
2. Tear off the protective film  
insert the PC lens into the housing.



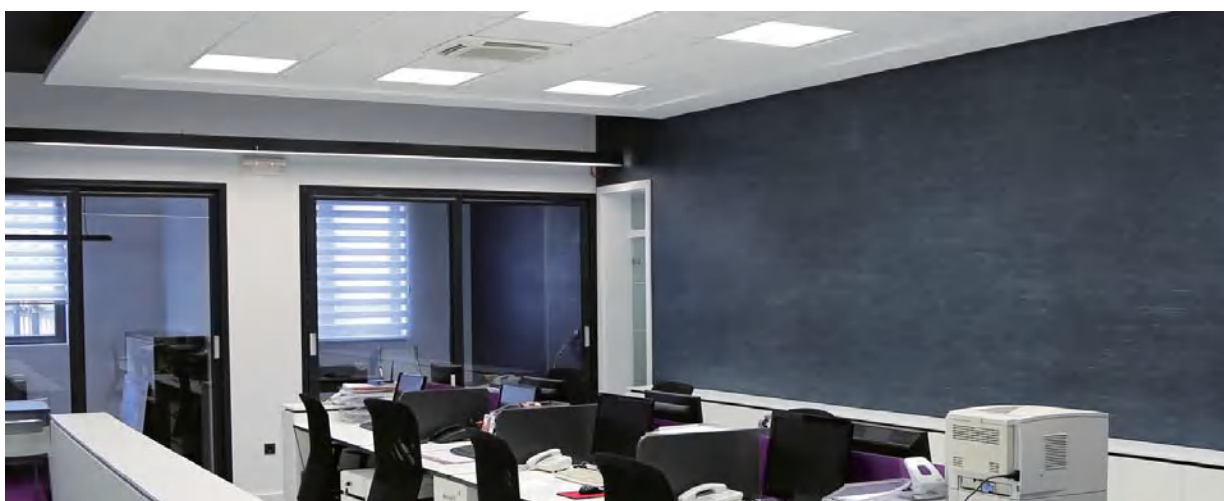
3. open the power supply cover,  
adjust dip switch to the required power  
connect the wires and lock  
the power supply cover  
(0-10V CCT&Watts adjustable isolated-driver)



4. Fixed wire hose on the troffer,  
Then installation is completed.



# Power and CCT Tunable LED Troffer Light



## Note

- 1.The installation and maintenance must be completed by electricians or professionals.
- 2.Please cut off the power before installation and maintenance.
- 3.The fixture is not allowed to be covered by thermally insulating material.
4. Please keep away from the corrosive substance,and keep the fixture dry and clean.
5. Working temperature:-4°F~104°F, storage temperature:-22°F~140°F.