

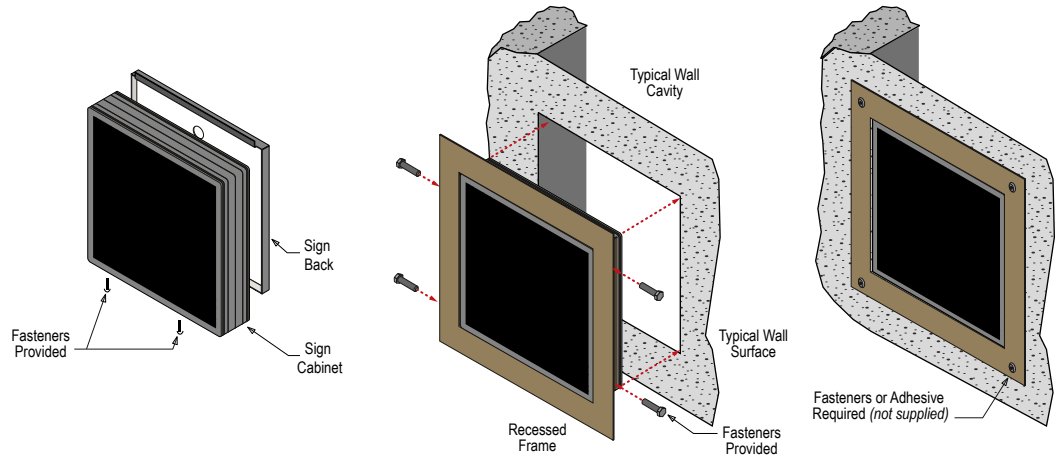
Recessed Frame Mount

Step 1. Open sign by removing the screws on bottom lip of cabinet.

Step 2. Slide the Recessed Frame over the cabinet flush with the sign face. Drill into the cabinet using the holes in the Recessed Frame. Fasten frame to cabinet sides.

Step 3. Clear all aluminum chips from inside cabinet after drilling. Close cabinet and replace removed screws. Slide cabinet with frame into wall cavity.

Step 4. Secure frame and cabinet in wall cavity using appropriate fastening hardware or silicone adhesive between the frame and substrate.

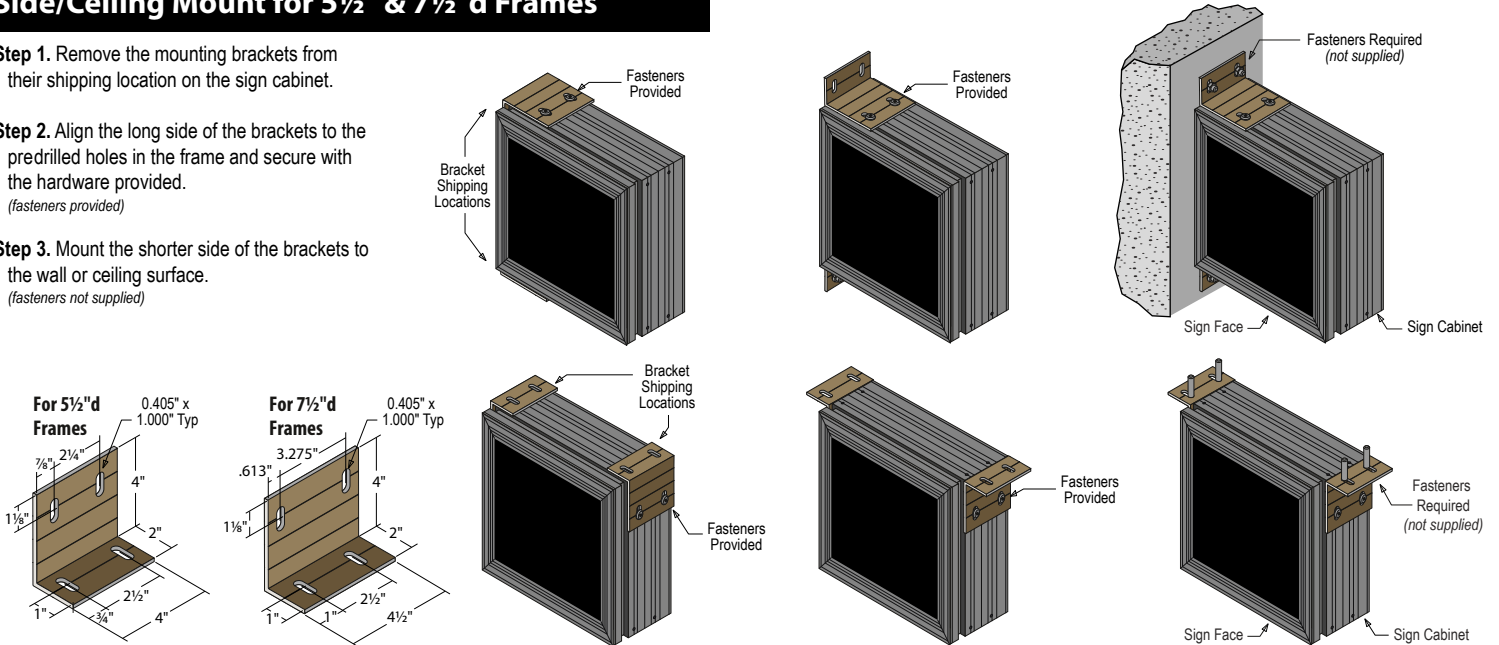


Side/Ceiling Mount for 5 1/2" & 7 1/2" d Frames

Step 1. Remove the mounting brackets from their shipping location on the sign cabinet.

Step 2. Align the long side of the brackets to the predrilled holes in the frame and secure with the hardware provided. *(fasteners provided)*

Step 3. Mount the shorter side of the brackets to the wall or ceiling surface. *(fasteners not supplied)*



Wall Mount for 5 1/2" d Frames

Step 1. Remove the mounting brackets from their shipping location on the sign cabinet.

Step 2. Align and mount the brackets to the wall surface. *(fasteners not supplied)*

Step 3. Reattach the cabinet to the brackets with the hardware provided. *(fasteners provided)*

