



Fast Access Security Corp.

# LED Strobe Lights

## SL-1301-EAQ

6 LEDs total, flash only

## SL-1301-BAQ

32 LEDs total, 5 LED strips

Same as EAQ series plus adjustable flash speeds, patterns, and duty cycle, and optional battery backup

## SL-1301-SAQ

54 LEDs total, 10 LED strips

Same as BAQ series plus 100dB siren



## Features:

- Utilizes high-intensity LEDs
- Operating life over 50,000 hours (over 5.7 years)
- Same size as the SL-126Q strobe light
- Simple 2-wire installation
- Weather resistant
- High-impact resistant case
- High-impact and heat-resistant lens
- Reverse polarity protection
- Visible in all directions
- 5 lens colors available:  
Amber, Blue, Clear, Green and Red



## Ordering Info:

| Model | 6 LED         | 32 LED        | 54 LED        |
|-------|---------------|---------------|---------------|
| Amber | SL-1301-EAQ/A | SL-1301-BAQ/A | SL-1301-SAQ/A |
| Blue  | SL-1301-EAQ/B | SL-1301-BAQ/B | SL-1301-SAQ/B |
| Clear | SL-1301-EAQ/C | SL-1301-BAQ/C | SL-1301-SAQ/C |
| Green | SL-1301-EAQ/G | SL-1301-BAQ/G | SL-1301-SAQ/G |
| Red   | SL-1301-EAQ/R | SL-1301-BAQ/R | SL-1301-SAQ/R |

## BAQ series also include all features of the EAQ plus:

- 5 Vertical LED strips (32 LEDs total) increase visibility from various directions
- 8 flash patterns and adjustable duty cycle
- Adjustable flashing speed
- Backup battery available for continuous lighting applications

## SAQ series also includes all features of the BAQ plus:

- 10 Vertical LED strips (54 LEDs total)
- Built-in 100dB siren (programmable)

## Specifications:

| Model                 | SL-1301-EAQ  | SL-1301-BAQ                 | SL-1301-SAQ |
|-----------------------|--|-----------------------------|-------------|
| Operating voltage     | 9~15 VDC   | 9~24 VAC/VDC                |             |
| Current draw (max)*   | 150mA  | 70~350mA                    | 90~550mA†   |
| # of flash patterns‡  | 1  | 8                           | 8           |
| Flashing speed        | 120 times/min  | Adjustable 80~160 times/min |             |
| Vertical LED strips   | 0  | 5                           | 10          |
| Total # of LEDs       | 6  | 32                          | 54          |
| Backup battery§       | No   | Yes                         | Yes         |
| Operating temperature | -4°~144° F (-20°~65° C)  |                             |             |
| Electrical protection | Reverse polarity protected   |                             |             |
| Built-in siren        | No   |                             | Yes (100dB) |
| IP rating             | IP64   | IP66                        | IP55        |
| Dimensions            | ø3 <sup>15</sup> / <sub>16</sub> "x3 <sup>1</sup> / <sub>8</sub> " (ø100x79mm) |                             |             |

\*Depending on settings

‡SL-1301-EAQ series has strobe only

†With siren enabled

§9VDC battery not included



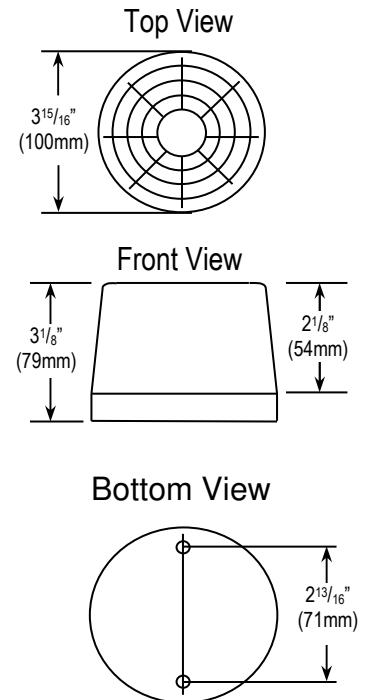
Fast Access Security Corp.

## Programmable Flash Patterns / Duty Cycle (BAQ & SAQ models only):

| DIP Switch Position | Description  | Flash Pattern Top View (SL-1301-BAQ Shown) |
|---------------------|--|--|
| A                   | <b>Regular Duty Cycle</b><br>LED on one-half / off one-half of each cycle (default)<br>(DIP Switch #4 ON, only effective for flash patterns 1, 2, and 5)   |  |
| B                   | <b>One-Eighth Duty Cycle</b><br>LED on one-eighth / off seven-eighths of each cycle<br>(DIP Switch #4 OFF, only effective for flash patterns 1, 2, and 5)  |  |
| 1                   | <b>Strobe</b><br>LEDs flash on and off continuously. (default)<br>(DIP Switch #4 controls the duty cycle)  |  |
| 2                   | <b>Rotate Clockwise</b><br>Light rotates clockwise in a circular fashion continuously. (Beacon)<br>(DIP Switch #4 controls the duty cycle)                 |  |
| 3                   | <b>Steady ON</b><br>All LEDs stay on. Ideal for continuous lighting applications.  |  |
| 4                   | <b>Flash with Progressive ON</b><br>LEDs turn on progressively clockwise until all LEDs are lit (sweep), and then turn off.                                |  |
| 5                   | <b>Rotate Back and Forth</b><br>LED groups light up one at a time clockwise then counterclockwise.<br>(DIP Switch #4 controls the duty cycle)              |  |
| 6                   | <b>Flash with Progressive ON/OFF</b><br>LEDs turn on progressively clockwise (sweep), then turn off progressively counterclockwise.                        |  |
| 7                   | <b>Opposite Quarters Flashing Continuously</b><br>LEDs in opposite quarters flash alternately, repeating continuously.                                     |  |
| 8                   | <b>Opposite Quarters Flashing with Pause</b><br>LEDs in opposite quarters flash alternately for 8 cycles, pause for 2 cycles, and then repeat the pattern. |  |

Users may customize both flash pattern and duty cycle (flash patterns 1, 2, and 5 only). The "One-Eighth Duty Cycle" produces a sharper "strobe" effect more like traditional strobe lights. DIP Switch #4 controls the duty cycle for supported flash patterns.

### Dimensions:



## Also Available from Superior Electronics:

Note: The SL-1301 series LED strobe light has the same dimensions as the SL-126 series strobe light.

### Replacement Lenses

SL-126LQ/X

(Replace "X" with the first letter of the desired color)



Available in Red, Blue, Amber, Clear, or Green

### Mounting Options

Conduit Drop  
SL-1901-DAQ



Conduit Box  
SL-1901-JAQ



### Application Photos

Conduit Drop



Conduit Box



Both



### Xenon Tube Strobe Lights SL-126Q Series



Available in Red, Blue, Amber, Clear, or Green