



1 Carefully unpack box.

2 Make sure you have all items shown here. (Screwdriver not shown)

Keypad Unit Transceiver 9-V Battery Key Carriage Bolt (4x) Hex Nut (4x) Hole Plug Adhesive Mounting Pad

What's what?

Important components labeled

9-V Battery
Must be installed before use.

Reset Button
For performing reset procedures on keypad

Connection Terminals
For wiring to compatible AC/DC power source and gate operator or door opener

Relay Status LED
Indicates whether relay is active or inactive (Relay active when lit)

Power LED
Indicates whether or not unit has power

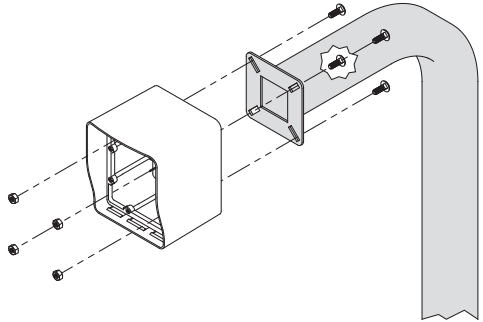
Programming Button
For pairing transceiver to keypad

Programming LED
Indicates status of pairing process

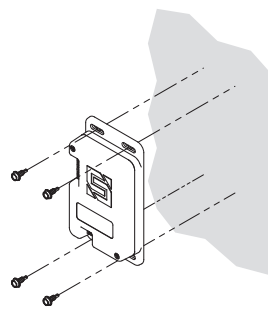
Keypad Unit
Back of front panel shown.
Internal wiring not shown for clarity.

Transceiver
Shown with cover removed.
Internal wiring not shown for clarity.

3 Unlock and remove front panel of keypad unit; then using included carriage bolts and hex nuts, attach unit to pedestal as shown.



4 Using Tek screws, zip ties, or included adhesive mounting pad, attach transceiver to inside wall or other surface of gate operator.



CAUTION!
The transceiver is not weatherproof and must be mounted inside a weatherproof enclosure. Internal components can be damaged if exposed to the elements.
Failure to comply will VOID WARRANTY.

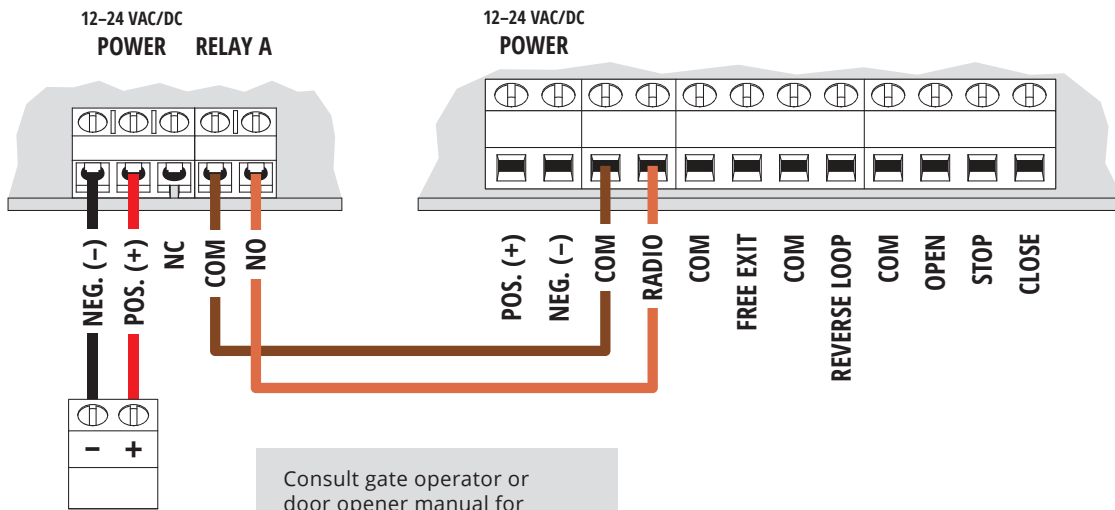
WARNING!
AUTOMATIC GATES CAN CAUSE SERIOUS INJURY OR DEATH!
ALWAYS CHECK that the **GATE PATH IS CLEAR BEFORE OPERATING!**
REVERSING or other **SAFETY DEVICES SHOULD ALWAYS BE USED!**

5a Connect transceiver

Gate Operator Timer-to-Close
OFF

Ridge Transceiver

Gate Operator / Door Opener



12-24-VAC/DC Power Source (Not Included)

Consult gate operator or door opener manual for exact connections.
Terminals vary widely across manufacturers and models.

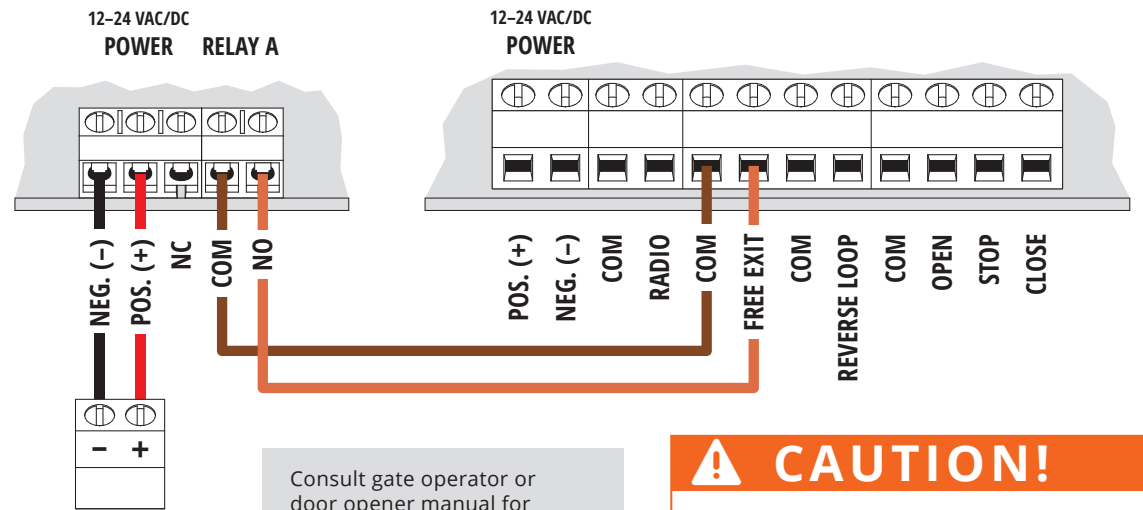
OR

5b Connect transceiver

Gate Operator Timer-to-Close
ON

Ridge Transceiver

Gate Operator / Door Opener



12-24-VAC/DC Power Source (Not Included)

Consult gate operator or door opener manual for exact connections.
Terminals vary widely across manufacturers and models.

CAUTION!
A closing gate can cause injury to persons or damage to property.
ALWAYS USE SAFETY DEVICES!

6a Remove transceiver cover; then hold down Programming button on circuit board for 3 seconds and let go.

LED will light and stay on

6b Pair keypad unit with transceiver by entering sequence below on keypad.
(Make sure 9-V battery is connected on keypad unit)

1 2 5 1 → 9 → ? *

Master Code (1251 is default) Channel (1 for A, 2 for B)

NOTE: Green arrow indicates "good" tone on keypad unit.

6c While pairing, keypad unit will beep and flash. Once transceiver LED goes off and "good" tone is heard on keypad unit, pairing is complete.

LED will go off

7 Add Access Code(s) to Channel A.
(To add multiple codes, enter each of them before pressing pound key)

1 2 5 1 → 1 → ? ? ? ? → #

Master Code (1251 is default) Sub Mode Access Code(s) (4 digits; numbers only)

NOTE: The Master Code is for programming only and will not trigger the relay.

8 Make sure gate path is clear; then enter access code on keypad and confirm gate opens.
(If keypad locks up, repeat Step 6)

INSTALLATION COMPLETE!

Your system is ready to use.

A1 Additional programming

Delete Code(s)
(To delete multiple codes, enter each of them before pressing pound key)

1 2 5 1 → 2 → ? ? ? ? → #

Master Code (1251 is default) Sub Mode Code(s) to Be Deleted (4 digits; numbers only)

NOTE: Green arrow indicates "good" tone on keypad unit. Always wait for good tone before moving on.

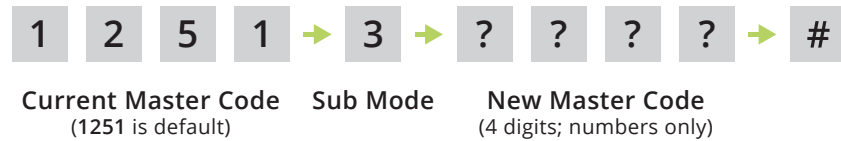
Set Unique Keypad ID
(This feature is for added security and allows multiple keypad units and transceivers to be used. If Keypad ID is changed, keypad unit and transceiver must be paired again.)

1 2 5 1 → 9 → 5 → ? ? ? ? → #

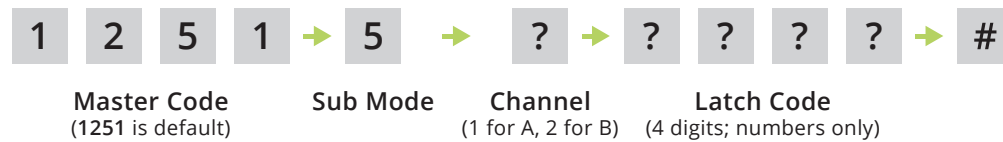
Master Code (1251 is default) Sub Mode Unique Keypad ID (4 digits; numbers only)

A2 Additional programming (continued)

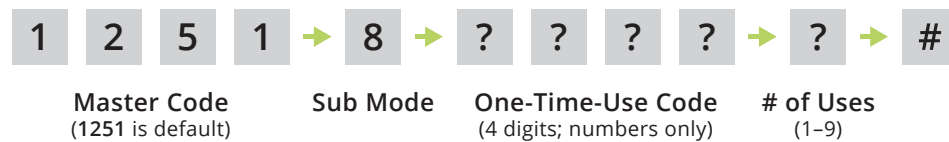
Change Master Code



Add Latch Code

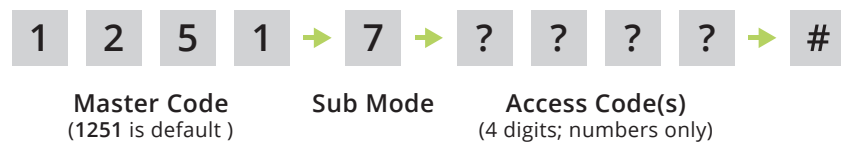


Add One-Time-Use Code (Channel A ONLY)

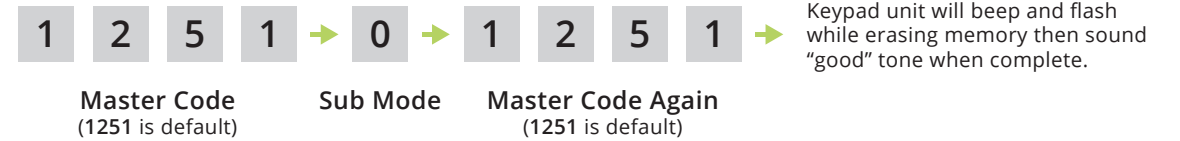


Add Access Code(s) to Channel B

(To add multiple codes, enter each of them before pressing pound key)



Delete All Codes (Cannot Be Undone)



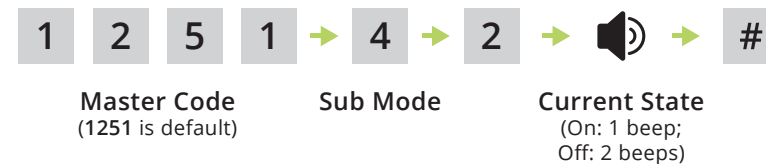
Set Relay Output Time



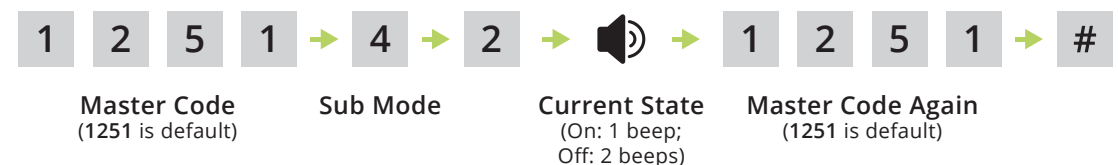
Configure Three Strikes, You're Out

(This feature is designed to deter unauthorized users who enter an incorrect code three times in a row. When this happens, the keypad unit will sound an alarm for 30 seconds, and then it will go into a period of lockdown for a full 90 seconds.)

Check Status



Toggle On or Off



NOTE: Green arrow indicates "good" tone on keypad unit. Always wait for good tone before moving on.



Programming Sub Modes

- | | |
|--|--|
| 1 Add Access Code(s) to Channel A | 8 Add One-Time-Use Code (Channel A) |
| 2 Delete Code(s) | 9 Pairing and Setting Keypad ID |
| 3 Change Master Code | 0 Delete All Codes |
| 4 Configure "Three Strikes, You're Out" | |
| 5 Add Latch Code | |
| 6 Set Relay Output Time | |
| 7 Add Access Code(s) to Channel B | |

Things to Know

The Star Key (*)

The star key deletes your current entry. If you happen to make a mistake keying in a code, simply press the star key to delete the entire entry and start over.

The Pound Key (#)

The pound key is good for one thing and one thing only: exiting Programming Mode. Whenever you're in Programming Mode, simply press the pound key to get out.

Reset Procedures

If for some reason the Master Code is forgotten or the unit needs to be reset to factory defaults, two reset procedures are available: **Master Reset** and **Unit Reset**.

These procedures can be found in **Section B**.

B Reset Procedures

NOTE: If an error is made during these procedures, an "error" tone will sound and you must start again from the beginning.

Master Reset

(Used if the Master Code is unknown, if the Latch Code is unknown and the unit is in Latch Mode, or if the Sleep Code is unknown and the unit is in Sleep Mode. All other codes will be retained after completing this procedure.)

Step 1 - Remove front panel of keypad unit.

Step 2 - Disconnect battery.

Step 3 - Press and hold Reset Button; reconnect battery; then release Reset Button. Unit will sound one (1) tone. Release Reset Button after you hear tone.

Step 4 - Press Star key (*) on keypad three (3) times and wait up to 30 seconds.

Step 5 - Reattach front panel onto keypad unit.

The Master Code is now reset to default (**1251**).

Unit Reset

(Used to reset unit to factory default settings. The Master Code will be retained.)

CAUTION: FOLLOWING THIS PROCEDURE WILL DELETE ALL CODES BUT MASTER CODE!

Step 1 - Remove front panel of keypad unit.

Step 2 - Disconnect battery.

Step 3 - Press and hold Reset Button; reconnect battery; then release Reset Button. Unit will sound one (1) tone. Release Reset Button after you hear tone.

Step 4 - Enter Pound (#) Star (*) Pound (#) on keypad. (Unit will sound "good" tone.)

Step 5 - Enter Master Code (1251 is default) on keypad. (Unit will beep continuously.)

Step 6 - While unit is beeping, disconnect and reconnect battery. Unit will then go through power-up procedure.

Step 7 - Reattach front panel onto keypad unit.

The unit is now reset to factory default settings. Follow **Master Reset** to reset Master Code.

