

REMOTE PRO CR



23 SERIES

WIEGAND-OUTPUT PROXIMITY CARD READERS

FEATURES

- HID® ProxPoint® Plus or Secura Key reader
- 26-bit Wiegand output
- Audible-tone and LED feedback
- Backlit keypad (keypad models only)

WORKS WITH

- **Ascent** (select models)
- **Edge**
- Other 26-bit Wiegand master controllers



SIMPLE IS OUR NAME

These proximity card readers couldn't be any more simple to install and use.

VERSATILITY IS OUR GAME

We offer three post-mount units to fit your needs: a card reader, a card reader with an intercom, and a card reader with a keypad.

STURDY AND DURABLE

All our products are made from high-quality materials that will last for years to come.

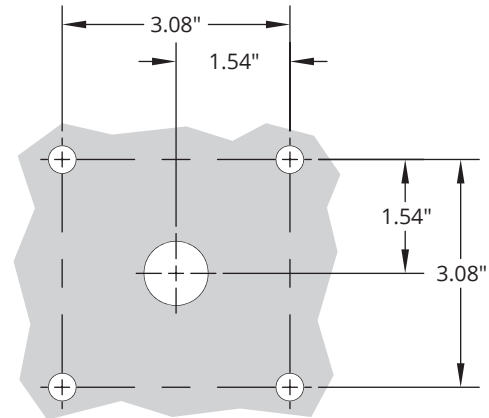
PLAYS WELL WITH OTHERS

Connect to any master controller that uses the 26-bit Wiegand protocol with six wires and you're in business. It's as easy as that!

SPECIFICATIONS

PHYSICAL	
Dimensions	5.80"(H) x 7.45"(W) x 5.25"(D)
Shipping Weight	5 lbs.
ELECTRICAL	
Input	9-12 VDC supplied by master controller
EQUIPMENT	
Reader	HID® ProxPoint® Plus or Secura Key dependent on model
ENVIRONMENTAL	
Operating Temperature	-15 to 150 °F

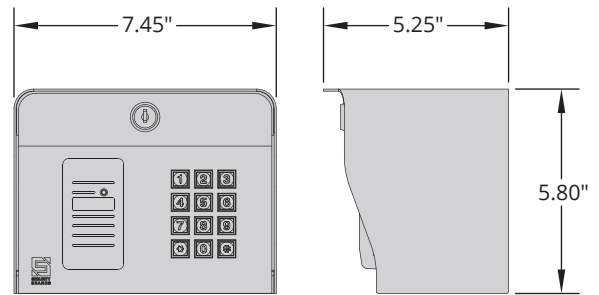
MOUNTING (BACK OF UNIT SHOWN)



HOLE SIZES

Wiring pass through	0.88"
Mounting holes (x4)	0.38"

Unit includes mounting hardware.



Model 23-006KP

AVAILABLE MODELS (SEE PRICE GUIDE TO SEE ALL MODELS)



23-006
Post Mount



23-006I
Post Mount w/ Intercom



23-006KP
Post Mount w/ Keypad

For more information, visit us online:
securitybrandsinc.com

 **SECURITY BRANDS INC™**
your *partner* in access control

HID and ProxPoint are registered trademarks of HID Global in the U.S. and/or other countries.

☎ (972) 474-6390

✉ sales@securitybrandsinc.com

📍 2151 East Glen Blvd
Mesquite, TX 75181

© 2020 Security Brands, Inc. All rights reserved.