



1 Unpack box and make sure you have all items shown here.
(Screwdriver not shown.)

Edge Unit
(27-210 shown)

12-V AC/DC Adapter
(PS-12DC1)

Key

Carriage Bolt
(4X)

Hex Nut
(4X)

2 Unlock and open front panel of unit for mounting, wiring, and setup.

3 Mount unit to pedestal using included mounting hardware.
(This step may be completed later.)



WARNING

AUTOMATIC GATES CAN CAUSE SERIOUS INJURY OR DEATH!

ALWAYS CHECK THAT THE GATE PATH IS CLEAR BEFORE OPERATING!

REVERSING OR OTHER SAFETY DEVICES SHOULD ALWAYS BE USED!

CAUTION

Use all four carriage bolts when mounting the unit to a pedestal.

Leave the antenna in place.

Seal all openings created in the enclosure.

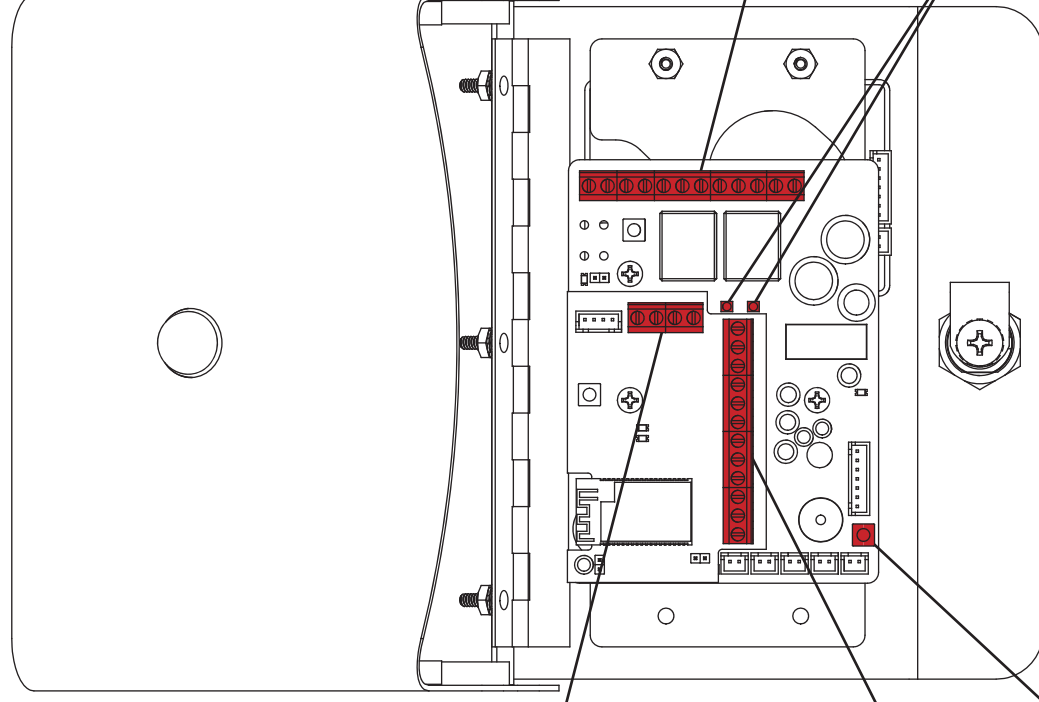
Failure to follow these instructions can damage the unit and/or cause it not to function correctly!

What's what?

All important components labeled

Model 27-210 is shown

Unit shown with front panel open.
Wiring/cabling not shown for clarity.



Digital Input Terminals

For connecting various accessories
See Page 5

Wiegand Terminals

For wiring to Wiegand devices
See Page 6

Reset Button

For performing unit reset

Card Reader Mounting Location

For mounting Wiegand proximity card reader (sold separately)
See *Edge E3 Quick Start Guide* or *Edge Direct Programming Manual* for programming instructions

Power, Relay, Event Terminals

For wiring to power, wiring to gate operator or door opener, and connecting request-to-exit devices
See Pages 3 and 5

Relay Status LEDs

Relay is active when lit

Using a Third-Party Power Source (Optional)

IMPORTANT

If you would like to use a third-party power source such as solar, verify that it conforms to the following specs:

Input	12-24 VAC/DC
Current Draw	no more than 10% beyond this range less than 111 mA @ 12 VDC less than 60 mA @ 24 VDC

4a

Connect wires to unit as shown in Step 4.

4b

Connect wires to your power source, making sure you connect positive to positive and negative to negative.

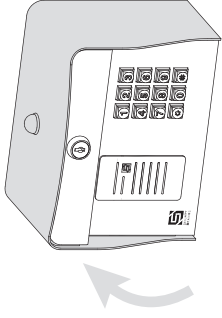
CAUTION

Double check that you have wired from positive on the Edge unit to positive on your power source and negative on the Edge unit to negative on your power source.

Reverse polarity can damage the unit!

5

Close front panel of unit and lock it.



STOP

Before going forward, double check all wiring and make sure the unit has power!

Wiring diagrams for connecting to accessory devices can be found on **Pages 5 and 6**.

For connecting accessories not mentioned, please contact **Technical Support**.

Make sure the gate or door path is clear before completing Step 7!

6

Add Access Code to Relay A.

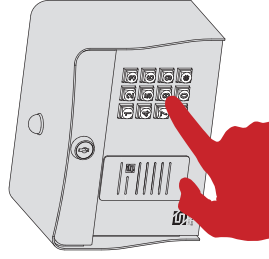
(To add multiple codes, enter each of them before pressing pound key.)

1	2	5	1	→	1	→	?	?	?	?	?	#
						Master Code	Sub Mode	Access Code to Be Added				
						(can be changed)		(4 digits by default; numbers only)				

NOTE: The green arrow indicates a "good" tone on the Edge unit. By default, the following codes are reserved and cannot be used: 1251, 1273, 1366, 1381, 1387, 1678, 1752, and 1985.

7

Make sure gate or door path is clear; then enter access code on keypad, and confirm gate or door opens.



INSTALLATION COMPLETE!

Jump to **Page 7** to continue programming and download the Edge Smart Keypad app.

A

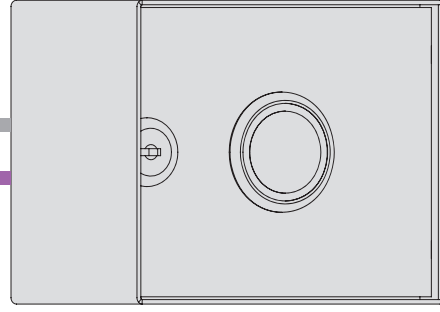
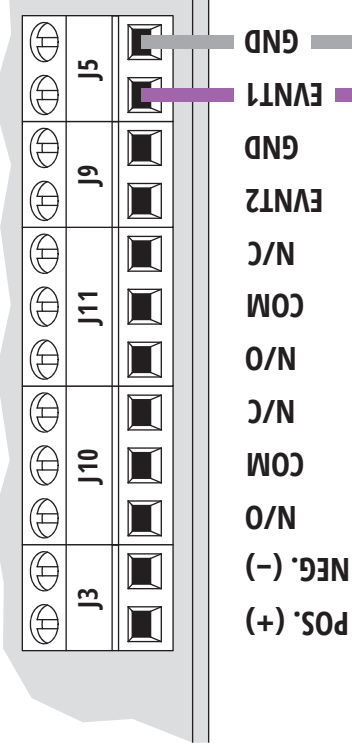
Event Inputs

Wiring for accessories such as a request-to-exit device

Edge Power, Relay, Event Terminals

12-24 VAC/DC

POWER RELAY A RELAY B EVENT INPUTS



Event input configuration instructions can be found on **Pages 10 and 11**.

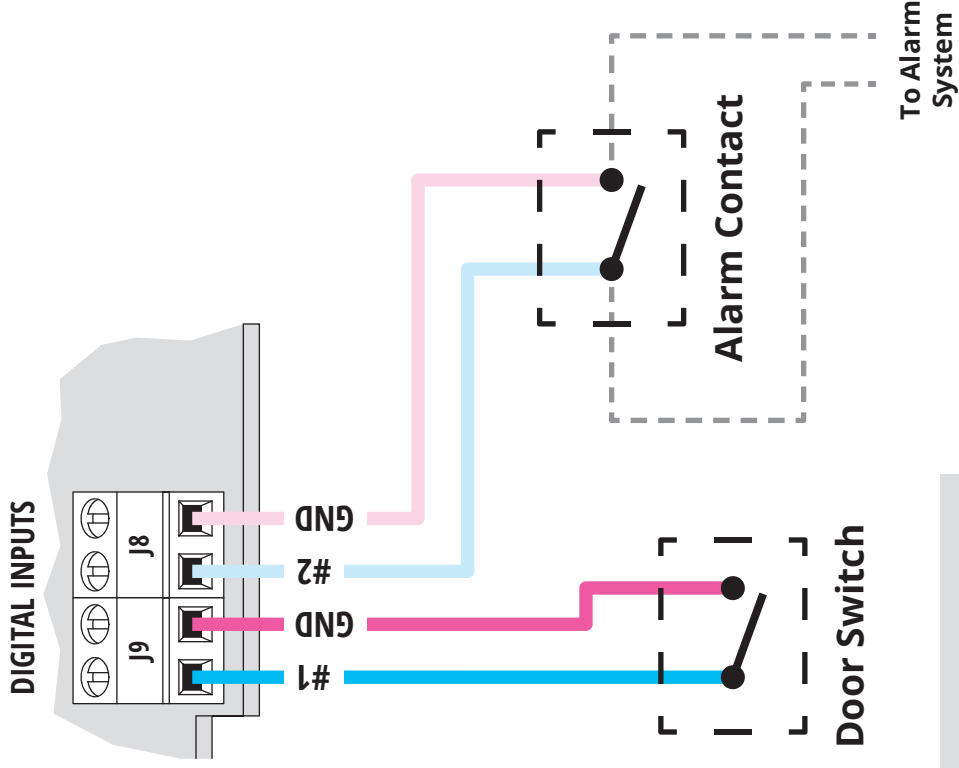
Request-to-Exit Device
(58-RTE-P is shown)

B

Digital Inputs

Wiring to various accessories

Edge Digital Input Terminals



Digital Inputs can be configured using the Edge Smart Keypad app.

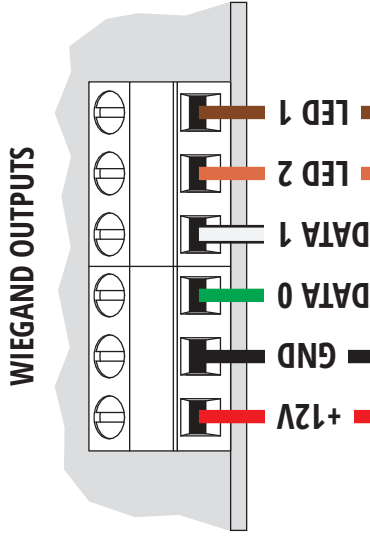
To Alarm System

C Wiegand Device

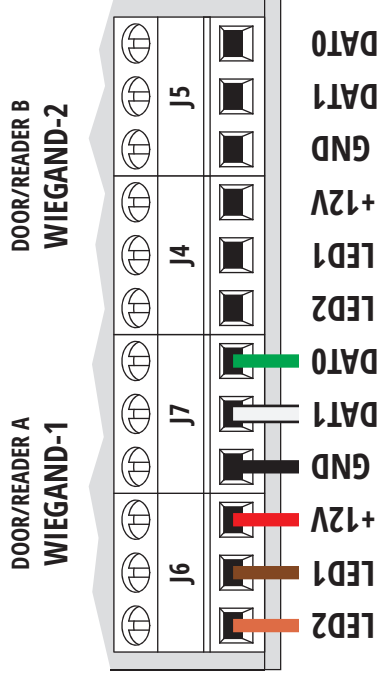
Wiring for a Wiegand device

Wiegand configuration instructions can be found on **Page 14**.

Wiegand Device



Edge Wiegand Terminals



If mounting a Wiegand card reader to the Edge unit front panel, remove the existing cover plate and hex nuts to reveal the mounting holes and wiring passthrough hole.

CAUTION ⚠

Disconnect power to the Edge unit before connecting Wiegand devices.

Failure to disconnect power can damage the unit!

Downloading the Edge Smart Keypad App for iOS/Android

The Edge Smart Keypad app is for **ADMINISTRATOR USE ONLY** and is not intended for users.



a Grab your smartphone or tablet. (These steps are optional. Unit can be fully programmed from keypad.)

b Navigate to your app store, and search for "edge smart keypad."

c Find the Edge Smart Keypad app by Security Brands, Inc. and download it.



Edge Smart Keypad
Security Brands, Inc.



NEED HELP ?

You can find plenty of useful resources online to help you get your new Edge unit up and running quickly and easily.

Go to securitybrandsinc.com/edge/

If you need further assistance, please call Technical Support at **(972) 474-6390**.

D

Pairing Edge Unit

Connecting your mobile device to your Edge unit for use with app.

The app is available for administrators who want to use it. Nearly all functionality is available through direct programming via the keypad.

⚠ IMPORTANT! Make sure your Edge unit is powered on and that Bluetooth is enabled on your mobile device or pairing will not work.

Step 1 - Grab your mobile device and open the Edge Smart Keypad app. If you do not have the app, follow the steps on this page for downloading it.

Step 2 - Fill out your account information and tap the "Sign Up" button. If you have already created an account, you will log in instead.

Step 3 - On the Paired Keypads screen, tap the "Add Keypad" button.

Step 4 - On the Add Keypad screen, tap the Edge unit you want to pair. If you do not see any Edge units listed, make sure your Edge unit is powered on and is in Bluetooth range.

Step 5 - Complete the procedure shown on your mobile device. These steps will be completed using the PIN pad on your Edge unit.

Step 6 - Enter the Master Code (default is 1251) on your mobile device.

Step 7 - Enter the code shown on your mobile device at the Edge unit. This step must be completed within the time duration displayed.

Step 8 - Change your Master Code if you like.

This step is recommended, but optional, and can be done at a later time.

Your new Edge unit is now be paired and will appear on the Paired Keypads screen. Tapping on the Edge unit on this screen will give you access to relay control and full access control management of the Edge unit from within the app.



For more information and guidance, please go to securitybrandsinc.com/edge/ or call Technical Support at **(972) 474-6390** for assistance.

E1 Direct Programming / Unit Configuration

Change Master Code

(Highly recommended for security purposes)

1 2 5 1 → 3 → ? ? ? ? #

Current Master Code
(1251 is default)

Sub Mode

New Master Code
(4 digits; numbers only)

Change Sleep Code

1 2 5 1 → 4 → 4 → ? ? ? #

Master Code
(1251 is default)

Sub Mode A

Sub Mode B

Sleep Code
(4 digits; numbers only)

Green arrow indicates "good" tone on unit. Always wait for good tone before moving on.

By default, these codes are unavailable for use: 1251, 1273, 1366, 1381, 1387, 1678, 1752, 1985.

FIND MORE

For all programming not shown here, as well as reset procedures and the Edge Smart Keypad app user guide, please visit our Edge start page:

securitybrandsinc.com/edge/

Programming Sub Modes

- | | | | |
|-------|----------------------------------|-------|--|
| 1 | Add Access Code(s) to Relay A | 4 - 7 | Enable/Disable Timers and Schedules |
| 2 | Delete Code (Non-Wiegand) | 4 - 8 | Enable/Disable "3 Strikes, You're Out" |
| 3 | Change Master Code | 4 - 9 | Configure Event Input 1 |
| 4 - 3 | Add Latch Code to Relay B | 5 | Add Latch Code to Relay A |
| 4 - 4 | Change Sleep Code | 6 | Configure Wiegand Inputs |
| 4 - 5 | Change Code Length (Non-Wiegand) | 7 | Add Access Code(s) to Relay B |
| 4 - 6 | Change Relay Trigger Time | 8 | Add Limited-Use Code |
| | | 0 | Delete All Codes and Timers |

Things to Know

The Star Key (*)

If a mistake is made, pressing the star key deletes your entry. Two beeps will sound.

The Pound Key (#)

The pound key is good for one thing and one thing only: exiting programming mode.

E2

Direct Programming / Unit Configuration

Green arrow indicates "good" tone on unit.
Always wait for good tone before moving on.

Change Code Length

⚠ IMPORTANT! THIS WILL DELETE ALL NON-WIEGAND ACCESS AND LATCH CODES!

1	2	5	1	→	4	→	5	→	?	→	?	→	1	2	5	1	→	#
Master Code (1251 is default)			Sub Mode A		Sub Mode B		Code Length (04-11)		?		?		Master Code Again (1251 is default)					

Change Relay Trigger Time

1	2	5	1	→	4	→	6	→	?	→	?	→	?	→	#
Master Code (1251 is default)			Sub Mode A		Sub Mode B		Relay (1 for A; 2 for B)		?		?		Trigger Time in Seconds (001-999)		

Enable/Disable Timers and Schedules

1	2	5	1	→	4	→	7	→	🔊	→	?	→	#		
Master Code (1251 is default)			Sub Mode A		Sub Mode B		Current State (On: 1 beep; Off: 2 beeps)		🔊		?		Configure (1 for no change; 2 to change state)		

Enable/Disable "3 Strikes, You're Out"

(When enabled, the unit will sound an alarm and go into a 90-second lockdown for 90 seconds when an incorrect code is entered three times.)

1	2	5	1	→	4	→	8	→	🔊	→	?	→	#		
Master Code (1251 is default)			Sub Mode A		Sub Mode B		Current State (On: 1 beep; Off: 2 beeps)		🔊		?		Configure (1 for no change; 2 to change state)		

E4

Direct Programming / Unit Configuration

Green arrow indicates "good" tone on unit.
Always wait for good tone before moving on.

Configure Event Input 1 (continued)

(Allows an external device to affect keypad operation or trigger a relay. To configure additional inputs, use the Edge Smart Keypad app.)

Mode 2

1	2	5	1	4	9	→	→	→	2	→	#
			Sub Mode A	Sub Mode B				Event Mode			
			Master Code (1251 is default)				Current State (Unit beeps mode number or good tone when disabled)				

Mode 5

1	2	5	1	4	9	→	→	→	5	→	?	→	?	→	#
			Sub Mode A	Sub Mode B				Event Mode				Setting (1 for Relay; 2 for Relay Operation)			
			Master Code (1251 is default)				Current State (Unit beeps mode number or good tone when disabled)				Relay (0 for A; 1 for B)				

Disable Event/Digital Inputs (Mode 0)

1	2	5	1	4	9	→	→	→	0	→	#
			Sub Mode A	Sub Mode B				Event Mode			
			Master Code (1251 is default)				Current State (Unit beeps mode number or good tone when disabled)				

Relay Operation
(0 for trigger; 1 for latch)

E5 Direct Programming / Unit Configuration

Green arrow indicates "good" tone on unit.
Always wait for good tone before moving on.

Configure Wiegand Input

(Allows enabling or disabling of a Wiegand input and configuration of the Wiegand device type. For the tag reader type, use the Edge Smart Keypad app.)

1 2 5 1 → 6 → ? → 5 0 0 → ? → #

Master Code
(1251 is default)

Sub Mode A

Wiegand Input
(1 for 1; 2 for 2)

Sub Mode B

Configuration

(0 for disabled; 1 for keypad;
2 for card reader; 3 for remote)

Change Default Facility Code

1 2 5 1 → 6 → ? → 1 0 6 → ? → ? → ? → #

Master Code
(1251 is default)

Sub Mode A

Wiegand Input
(1 for 1; 2 for 2)

Sub Mode B

Facility Code
(000-255)

F1 Direct Programming / Onboard Keypad

Green arrow indicates "good" tone on unit.
Always wait for good tone before moving on.

Add Access Code(s) to Relay B

(To add multiple codes, enter each of them before pressing pound key)

1 2 5 1 → 7 → ? → ? → ? → #

Master Code
(1251 is default)

Sub Mode

Access Code(s) to Be Added
(4 digits by default; numbers only)

F2

Direct Programming / Onboard Keypad

Green arrow indicates "good" tone on unit.
Always wait for good tone before moving on.
By default, these codes are unavailable for use:
1251, 1273, 1366, 1381, 1387, 1678, 1752, 1985.

Add Latch Code to Relay A

1 2 5 1 → 5 ? ? ? → #

Master Code (1251 is default) Sub Mode Latch Code to Be Added (4 digits by default; numbers only)

Add Latch Code to Relay B

1 2 5 1 → 4 → 3 ? ? ? → #

Master Code (1251 is default) Sub Mode A Sub Mode B Latch Code to Be Added (4 digits by default; numbers only)

Delete Code (Non-Wiegand)

1 2 5 1 → 2 ? ? ? → #

Master Code (1251 is default) Sub Mode Code to Be Deleted (4 digits by default; numbers only)

Add Limited-Use Code

(Access codes can be given a use or time restriction. For more advanced time restrictions, use the Edge Smart Keypad app.)

1 2 5 1 → 8 ? ? ? → #

Master Code (1251 is default) Sub Mode Restriction Type (1 for uses; 2 for time) Code to Be Added (4 digits by default; numbers only) Uses/Time (01-99 uses or 01-24 hours)

G1 Direct Programming / External Wiegand Keypad

Green arrow indicates "good" tone on unit.
Always wait for good tone before moving on.

Add Wiegand Keypad Access Code(s)

(Uses default facility code; to add multiple codes, enter each of them before pressing pound key)

On Both Wiegand Inputs

1	2	5	1	→	6	→	?	?	?	1	→	?	?	?	?	?	?	#
Master Code (1251 is default)			Sub Mode A		Relay (100 for A; 104 for B)	Sub Mode B	Code(s) to Be Added (5 digits by default; numbers only)											

On Wiegand Input 1 or 2

1	2	5	1	→	6	→	?	→	?	?	1	→	?	?	?	?	?	#
Master Code (1251 is default)			Sub Mode A		Wiegand Input (1 for 1; 2 for 2)	Relay (100 for A; 104 for B)	Sub Mode B	Code(s) to Be Added (5 digits by default; numbers only)										

Add Wiegand Keypad Manager Access Code(s)

(Uses default facility code; to add multiple codes, enter each of them before pressing pound key)

On Both Wiegand Inputs

1	2	5	1	→	6	→	1	0	1	→	1	→	?	?	?	?	?	#
Master Code (1251 is default)			Sub Mode A		Sub Mode B	Sub Mode C	Code(s) to Be Added (5 digits by default; numbers only)											

On Wiegand Input 1 or 2

1	2	5	1	→	6	→	?	→	1	0	1	→	1	→	?	?	?	#
Master Code (1251 is default)			Sub Mode A		Wiegand Input (1 for 1; 2 for 2)	Sub Mode B	Sub Mode C	Code(s) to Be Added (5 digits by default; numbers only)										



Direct Programming / External Wiegand Keypad

Green arrow indicates "good" tone on unit.
Always wait for good tone before moving on.

Add Wiegand Keypad Latch Code(s)

(Uses default facility code; to add multiple codes, enter each of them before pressing pound key)

On Both Wiegand Inputs

1	2	5	1	→	6	→	?	?	?	1	→	?	?	?	?	?	#
Master Code (1251 is default)			Sub Mode A		Sub Mode B		Relay (103 for A; 105 for B)	Sub Mode B	Code(s) to Be Added (5 digits by default; numbers only)								

On Wiegand Input 1 or 2

1	2	5	1	→	6	→	?	?	?	?	1	→	?	?	?	?	#
Master Code (1251 is default)			Sub Mode A		Sub Mode B		Wiegand Input (1 for 1; 2 for 2)	Relay (103 for A; 105 for B)	Sub Mode B	Code(s) to Be Added (5 digits by default; numbers only)							

Delete Wiegand Keypad Code(s)

(Uses default facility code; to delete multiple codes, enter each of them before pressing pound key)

On Both Wiegand Inputs

1	2	5	1	→	6	→	2	0	0	→	1	→	?	?	?	?	#
Master Code (1251 is default)			Sub Mode A		Sub Mode B		Sub Mode B	Sub Mode C	Code(s) to Be Deleted (5 digits by default; numbers only)								

On Wiegand Input 1 or 2

1	2	5	1	→	6	→	?	?	?	?	2	0	0	→	1	→	?	?	?	?	#
Master Code (1251 is default)			Sub Mode A		Sub Mode B		Wiegand Input (1 for 1; 2 for 2)	Relay (103 for A; 105 for B)	Sub Mode B	Sub Mode C	Code(s) to Be Deleted (5 digits by default; numbers only)										

