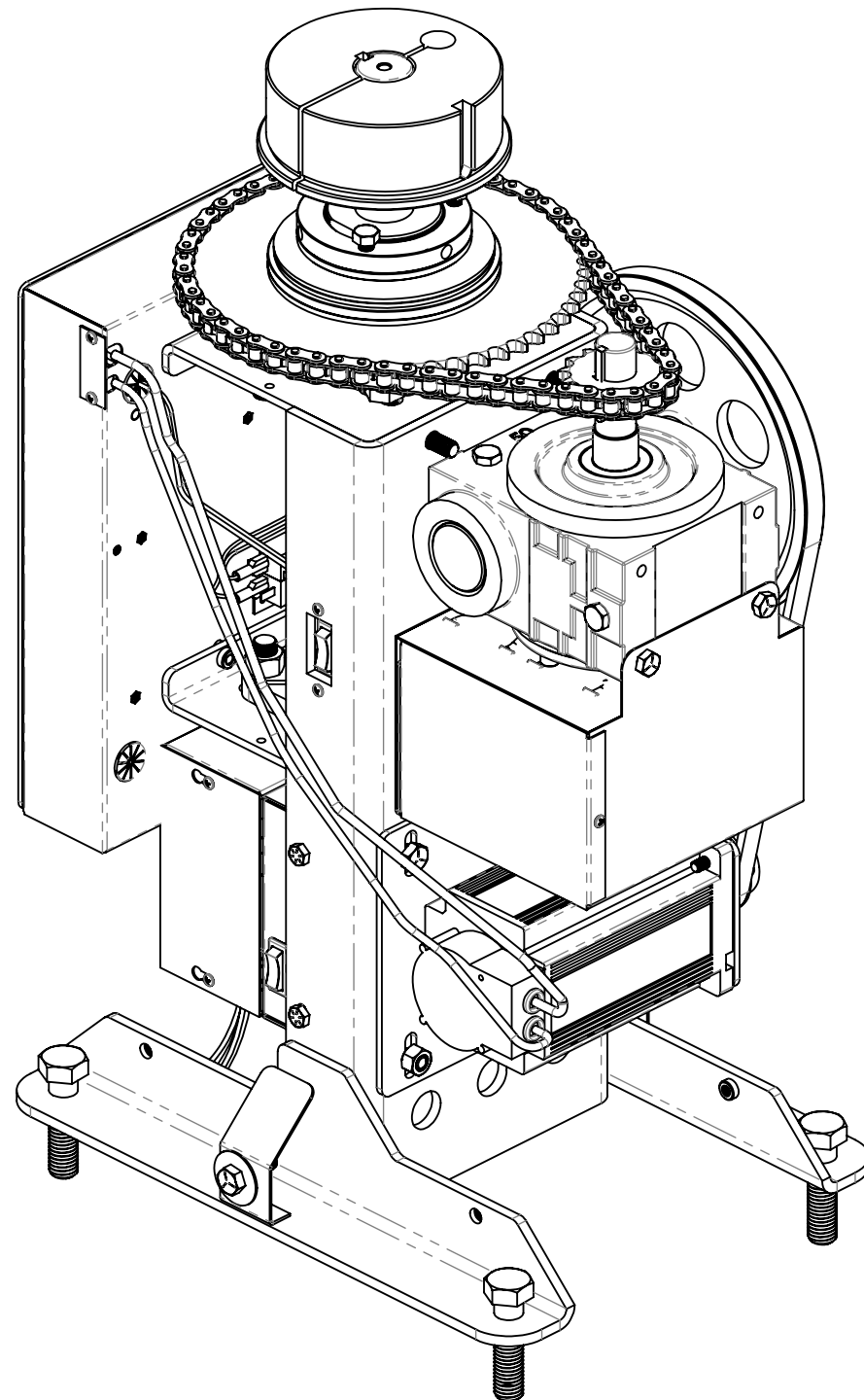
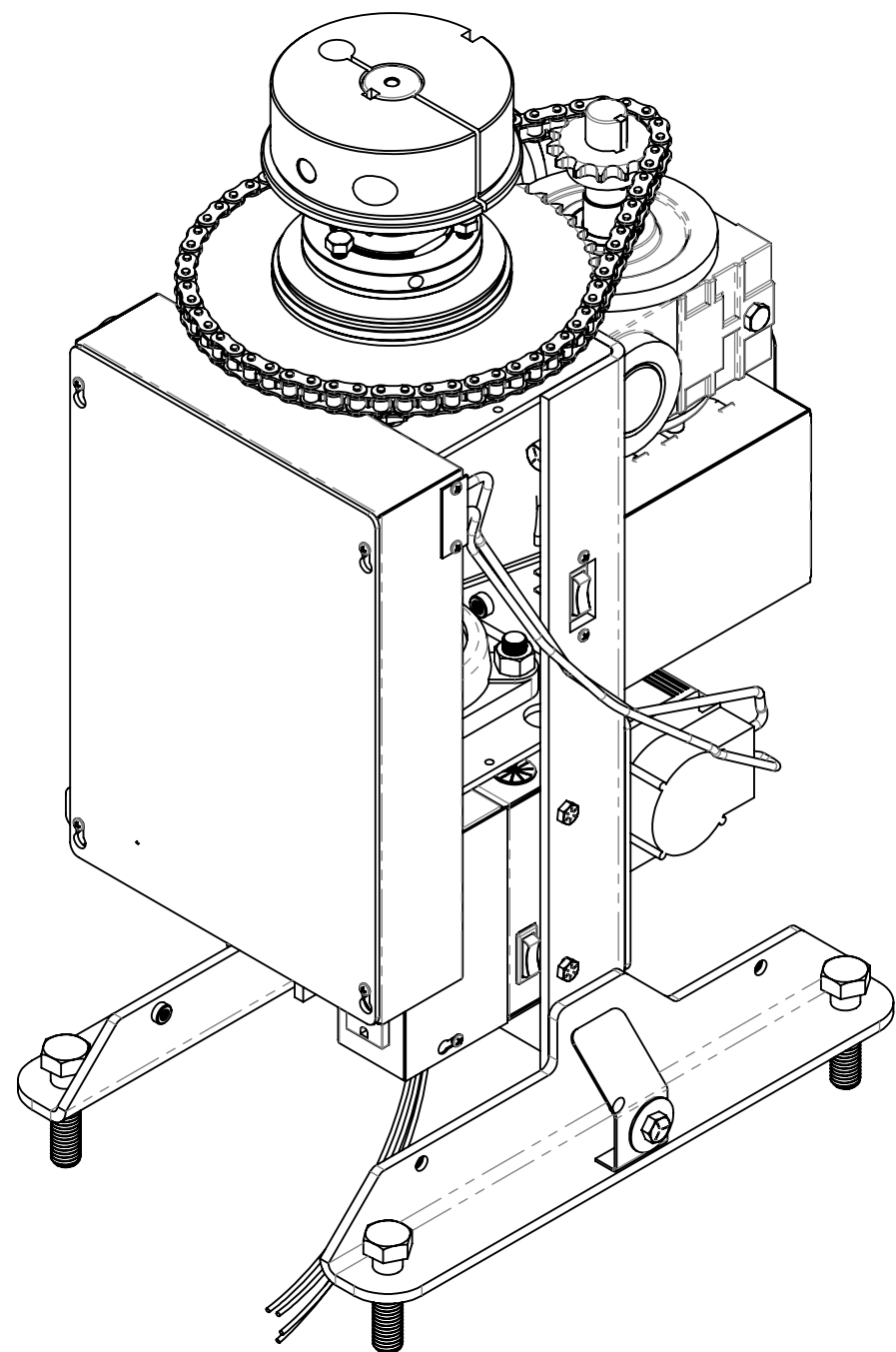
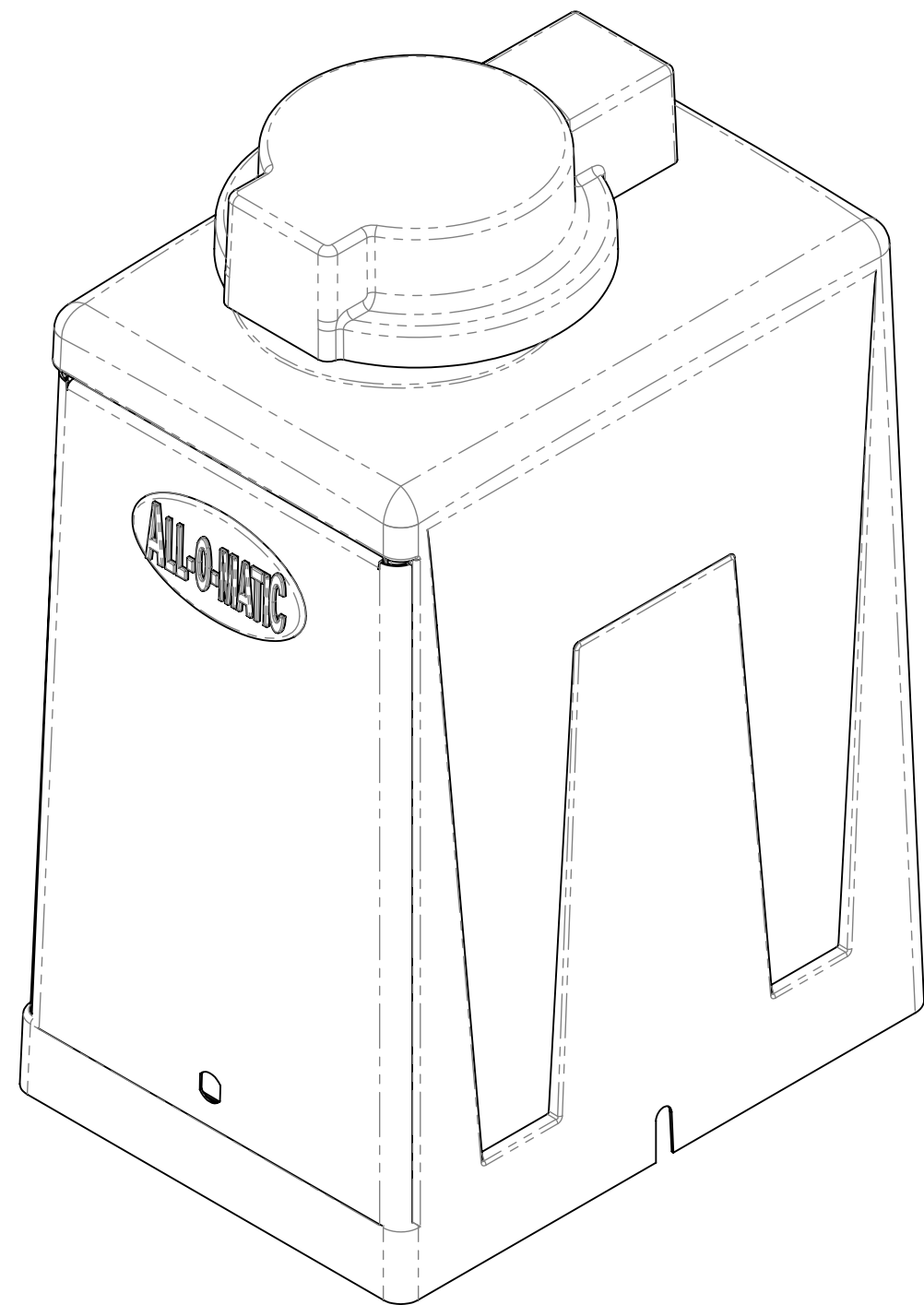


4

3

2

1



ITEM NO.	DESCRIPTION	PART NUMBER	QTY.
1	FRAME ONLY	SW-300FM	1
2	GEARBOX	GBX-300	1
3		40-0.5P1ST14T14SO1.660H .717L0.8750S1	1
4	GEARBOX PULLEY	PLY-8	1
5	1/2 HP BRUSHLESS DC MOTOR	MTR-1500	1
6	MOTOR BRACKET	MTR-B1500	1
7	MOTOR PULLEY	PLY-2	1
8	BELT	4L-370 (AX35)	1
9	CONTROL BOX ASSEMBLY	CBX-AY300	1
10	CONTROL BOX	CBX-300	1
11	CONTROL BOX COVER	CBC-913	1
12	CONTROL BOX DC CONTROL BOARD - 1/2 HP	BLDC-ULPCB	1
13	CONTROL BOX RADIO RECEIVER STRIP	COM-1003	1
14	CONTROL BOX RESET PUSH BUTTON	COM-1004	1
15	CONTROL BOX ALARM BUZZER	COM-1005	1
16	CONTROL BOX BRIDGE RECTIFIER	COM-1006	1
17	POWER SUPPLY BOX LINE-IN WIRE HARNESS	COM-1016	1
18	POWER SUPPLY BOX ASSEMBLY	PSB-AY300	1
19	POWER SUPPLY BOX	PSB-300	1
20	POWER SUPPLY COVER (A)	PSC-300A	1
21	POWER SUPPLY BOARD BOX	PBB-300	1
22	POWER SUPPLY BOX TRANSFORMER	TFR-480	1
23	POWER SUPPLY BOARD	EMI-PCB	1
24	POWER SUPPLY BOX WIRE HARNESS	PSH-300	1
25	POWER SUPPLY BOX 110VAC OUTLET	COM-1001	1
26	LOOP RACK WIRE HARNESS	LPR-H300	1
27	POWER SUPPLY BOX ON/OFF SWITCH	COM-1000	2
28	LOOP RACK	LPR-2	1
29	BATTERY BOX ASSEMBLY	BTY-AY300	1
30	7AH BATTERY	BTY-1270	2
31	BATTERY BOX	BTB-300	1
32	BATTERY BOX COVER	BTC-300	1
33	BATTERY WIRE HARNESS 18"X19"	BTY-H300	1
34	TORQUE LIMITER ASSEMBLY	TLA-AY300	1
35	TORQUE LIMITER COLLAR	TLC-300	1
36	TORQUE LIMITER FRICTION DISC X2	TLD-300	2
37	TORQUE LIMITER DISC WASHER X2	TLW-300	2
38	TORQUE LIMITER PLATE	TLP-300	1
39	TORQUE LIMITER PRESSURE PLATE	TPP-300	1
40	TORQUE LIMITER ROUND NUT	TLN-300	1
41		40-0.5P1ST54T54SN3.0H2.0 L2.9375N	1
42	TORQUE LIMITER BUSHING	TLB-300	1
43	TORQUE LIMITER CHAIN	40NPX325	1
44	DRIVE SHAFT BEARING	BRG-207F	2
45	DRIVE SHAFT	DST-300	1
46	LIMIT SWITCH ASSEMBLY	LSA-AY300	1
47	LIMIT SWITCH	COM-1007	2
48	LIMIT SWITCH COLLAR	COM-1012	2
49	LIMIT SWITCH WIRE HARNESS	LSH-300	1
50	EXTERIOR PLASTIC COVER WITH ACCESS DOOR	EPC-300D	1
51	EXTERIOR PLASTIC HUB COVER	EPC-S300	1
52	SWINGER HUB	COM-1011	1

ALL-O-MATIC, Inc.
 7820 Gloria Ave. Phone: (818) 787-1988
 Van Nuys CA, USA 91406
 EMAIL: fortino@allomatic.net

DIMENSIONS ARE IN INCHES
 BREAK SHARP EDGES 10-40
 MACHINED SURFACE FINISH IS
 1.6 MICROMETERS
 DO NOT SCALE DRAWING

THE INFORMATION DISCLOSED HEREIN WAS ORIGINATED BY
 AND IS THE PROPERTY OF ALL-O-MATIC, INC. AND ALL PATENT,
 PROPRIETARY, DESIGN, USE, SALE, MANUFACTURING, AND
 REPRODUCTION RIGHTS THERETO ARE RESERVED BY
 ALL-O-MATIC, INC.

DRAWN BY: DATE: CHECKED BY: DATE CHECKED:

MATERIAL: RAW MAT:

TITLE: **SW-300DC Assembly**

SYMBOL	ECO#	ENGINEERING CHANGE ORDER REVISION DESCRIPTION	BY	CKD	DATE	SHEET 1 OF 2	SCALE: 1:4	DRAWING SIZE: C	PART#:
--------	------	---	----	-----	------	--------------	------------	-----------------	--------

4

3

2

1

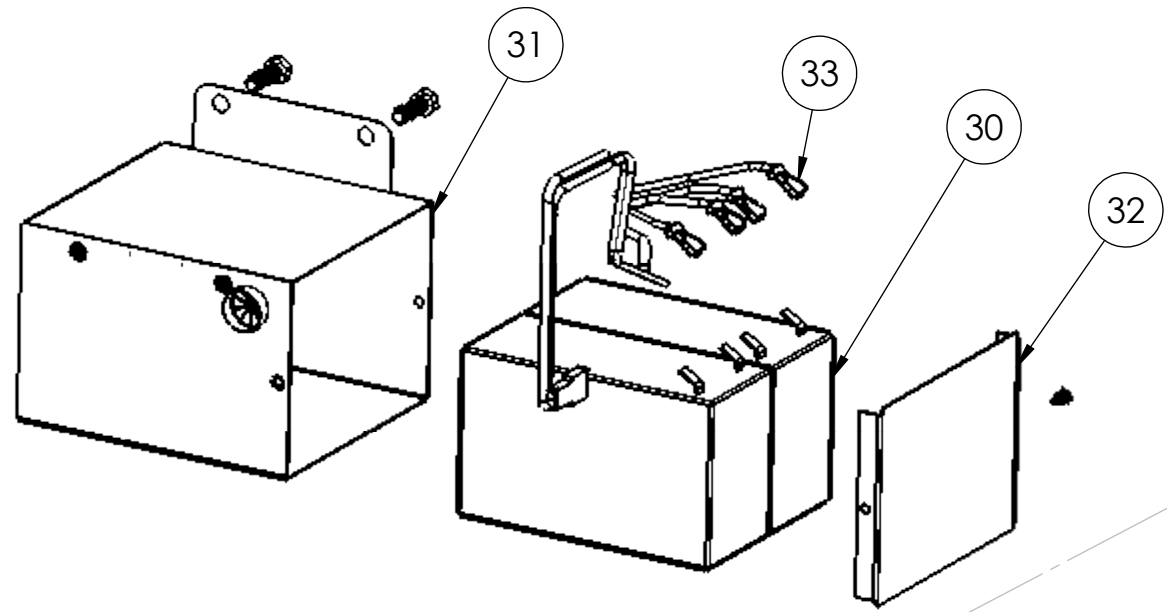
4

3

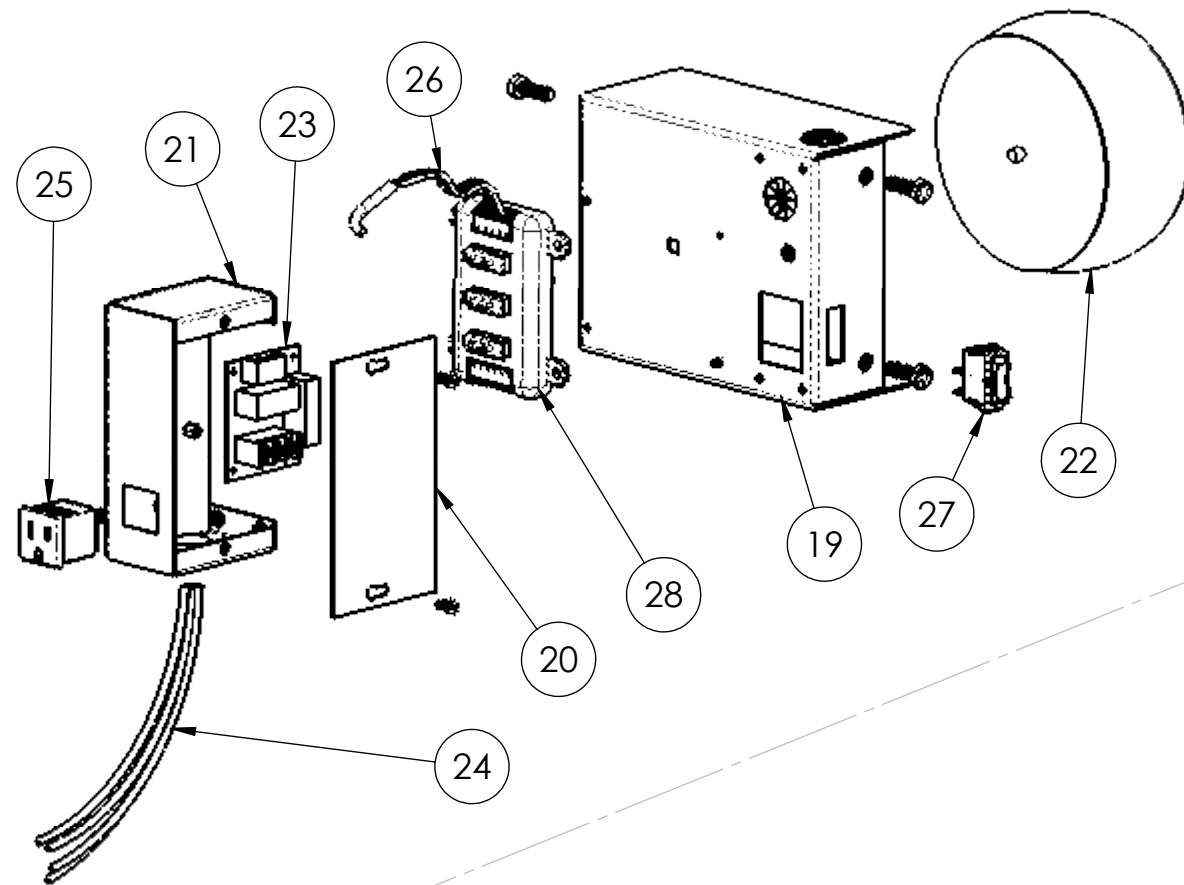
2

1

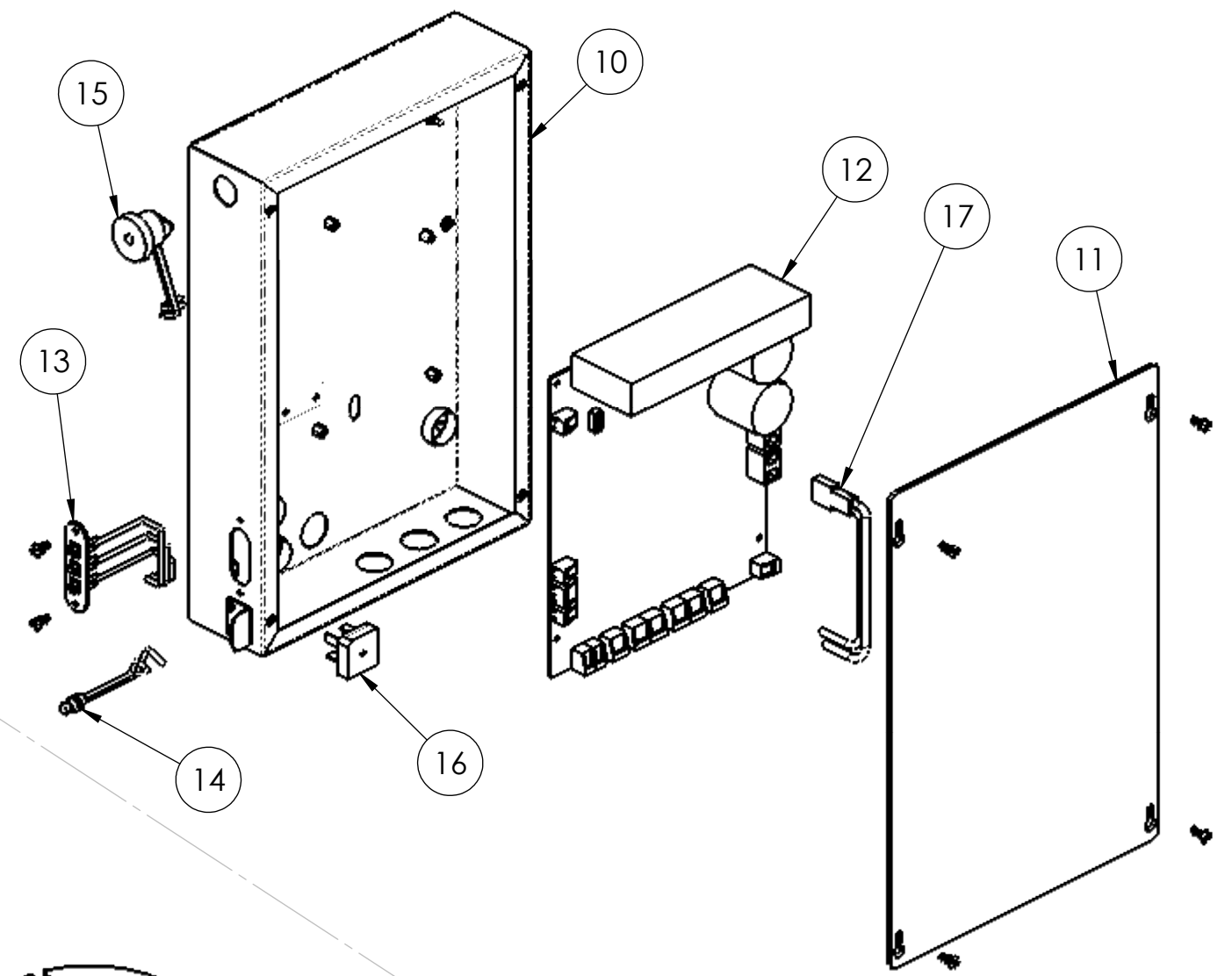
BATTERY BOX ASSEMBLY: BTY-AY300 (29)



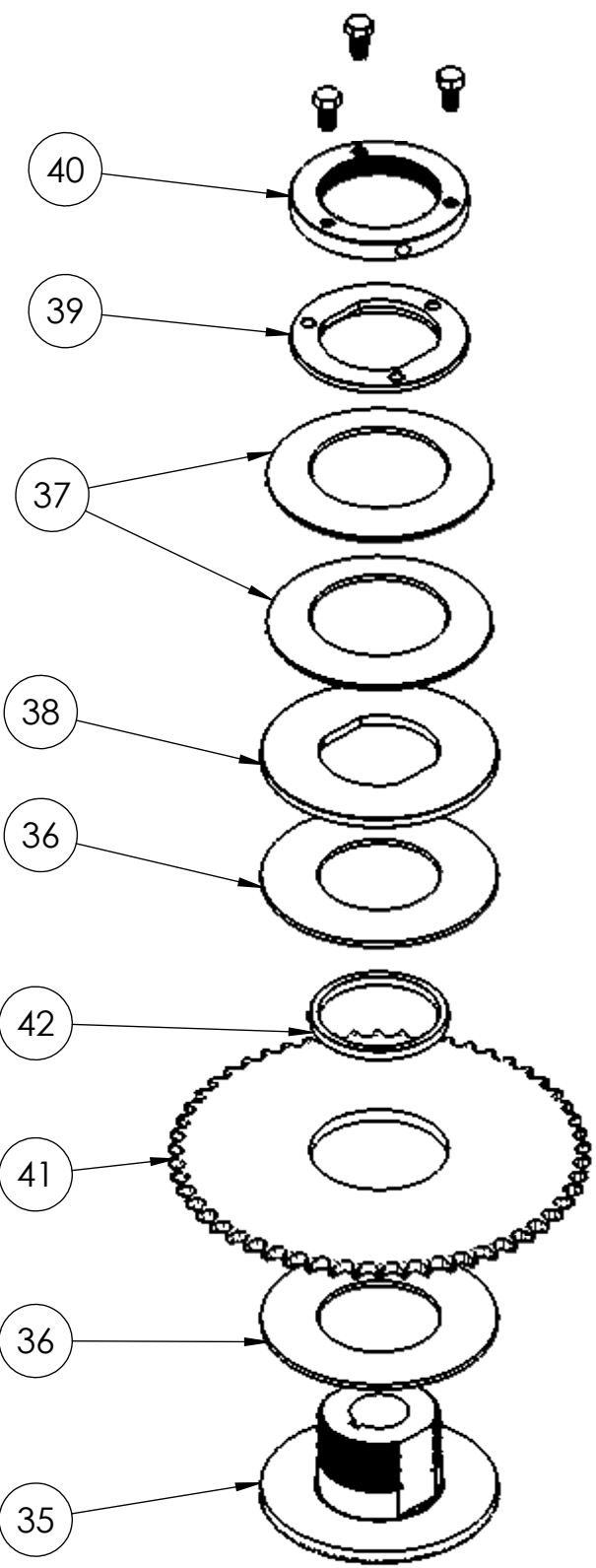
POWER SUPPLY BOX ASSEMBLY: PSB-AY300 (18)



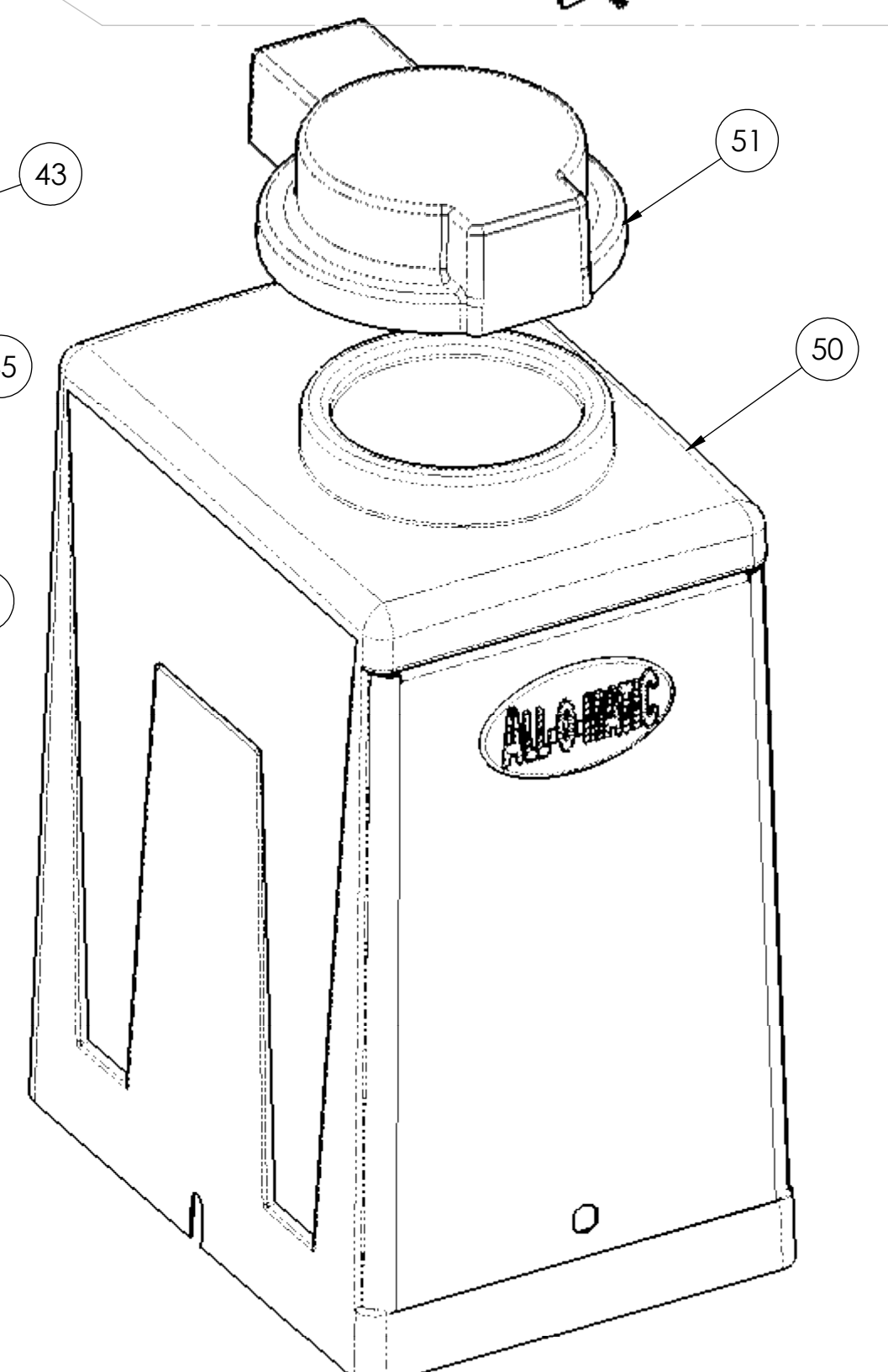
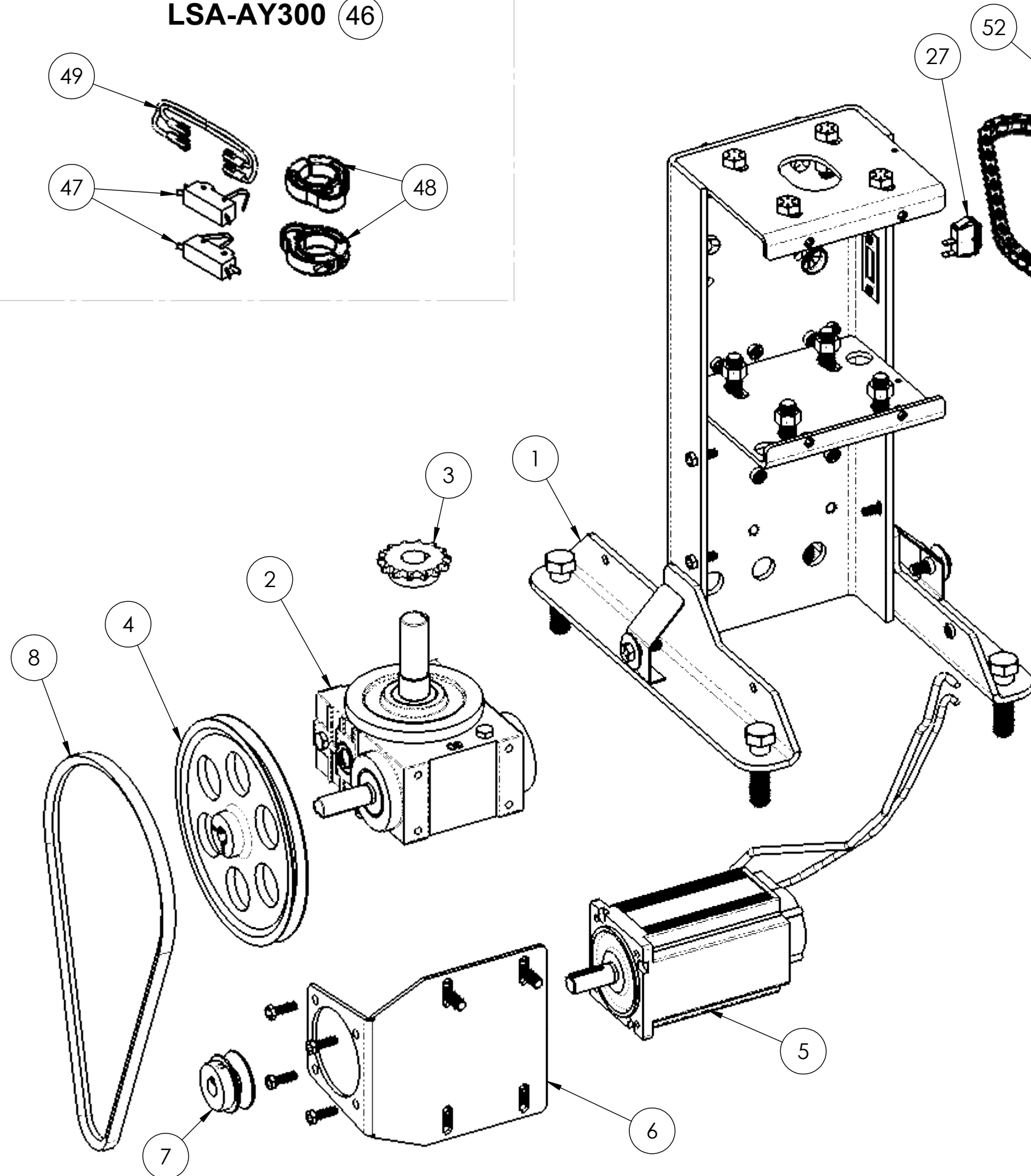
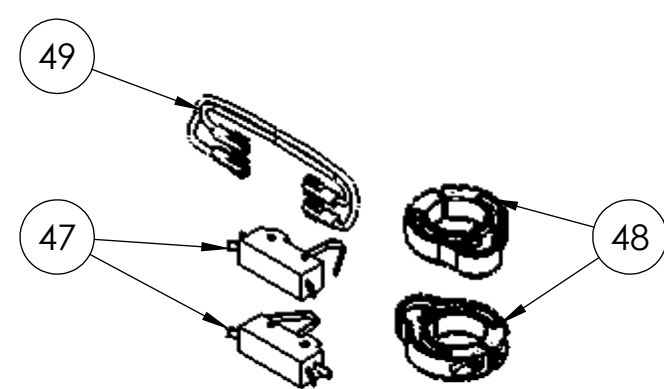
CONTROL BOX ASSEMBLY: CBX-AY300 (9)



TORQUE LIMITER ASSEMBLY: TLA-AY300 (34)



LIMIT SWITCH ASSEMBLY: LSA-AY300 (46)



NOTE:
TLA-AY300 (34) INCLUDES ITEMS (35) THRU (42).

4

3

2

1