



SURF 450 24V H

Electromechanical swing gate operator for leaf length up to **15 feet** or max **1100 lbs** weight



Metal gears with bearings



Metal manual release



Mechanical/electronic stops



Strong endless screw supported by bearings for max resistance



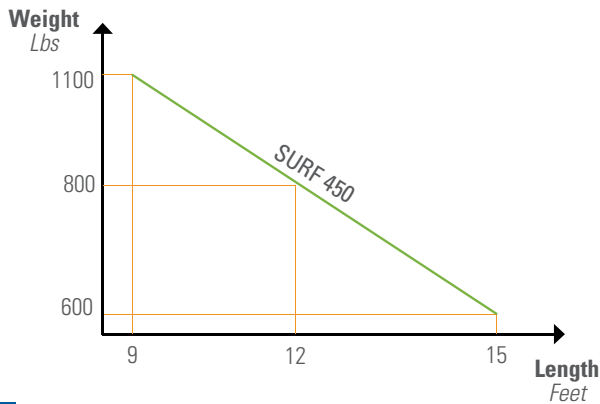
Brass bague for front attachment

- ▶ Solid: electromechanical reductor made in die-cast shell in aluminium with polyester coating for out-door use
- ▶ Easy connections for wires with a separate housing on posterior cover
- ▶ Version equipped with mechanical limit switches IP 67 and metal release lock
- ▶ Adjustable back fixing with holes
- ▶ Emergency batteries and recharge solar panel
- ▶ Operator with small width for installations also in reduced spaces
- ▶ All gears in solid metal
- ▶ Strong endless screw supported by bearings for max resistance

SPECIFICATIONS	SURF 450 24V
Power supply	120V/24V dc
Power Consumption (W)	60 W
Operating T° range (F°)	-4°F to 131°F
Cycles/hour	50
Duty	residential
Protection class	IP44
Max leaf length	15 feet
Max leaf weight	1100 lbs
Max opening angle (degrees)	90°/120°
Maximum force output	200 daNm
Anti-crushing protection	electronic
Limit switch	mechanical/electronic
Slowdown	electronic
Battery backup	with batteries

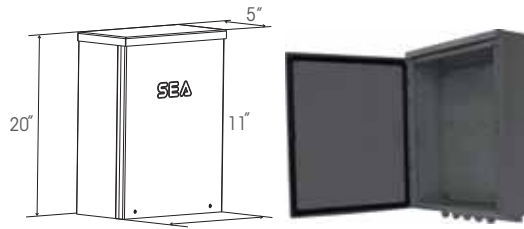
USER 2 24 DG Management of two 24V motors

- Adjustable slowdown in opening and closing
- Separate motors speed adjustment for each leaf
- Version with rectifying jumper on board
- Adjustable pedestrian opening
- 24V Led warning lamp
- Electro-lock management
- Separate torque adjustment for each leaf and for opening and closing
- Leaf delay adjustment differentiated between opening and closing
- Dead-man, automatic, security, step by step type1, step by step type 2, half-automatic1, half-automatic 2
- Optional external module for traffic light management
- Emergency battery management through optional battery charging card
- Working times self-learning
- Connector for RF radio receiver plug-in
- Prepared for encoder management
- Simplified programming through buttons and display
- Programming through JOLLY 3 palm also
- Photocells self-test
- Adjustable ammeter type inversion on obstacle
- Balanced or standard safety edge management
- Extractable terminals
- Adjustable courtesy light output up to 4 minutes
- Setting number of cycles for assistance
- Settable photocells inputs
- Push over
- Management of photocells 10K

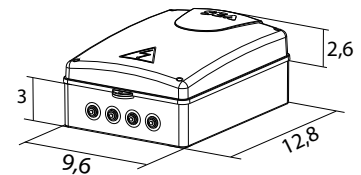


...and many other functions

Pre Wired Metal Box



ABS box



ACCESSORIES



Reflex 10k 180°
Reflecting photocell
with mirror



G-LOCK
Magnetic Lock



Sea Com Video Wi Fi
Wireless Video
Intercom System



Kit SUPER SUNNY
85W solar panel,
charger, battery 33Ah



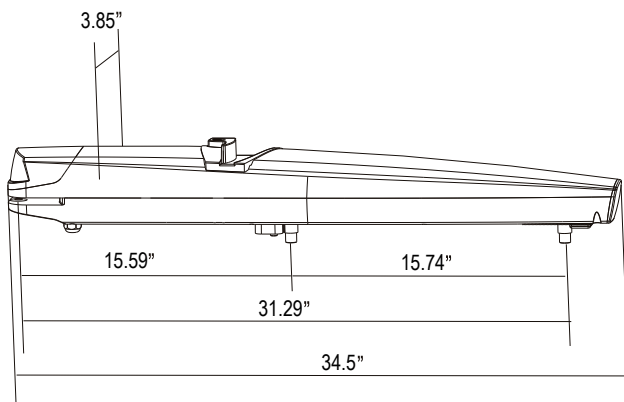
ESUN Q Battery
charger 800 mA with
solar panel admin



BAT7 Batteries
with box (7AH)



BRASU Adjustable
back fixing bracket
no welding (2 pcs)



Dimensions
(inches)

PACKAGE SURF 450 24V

N.1 SURF 450 24V

1 pc Carton box 35x4x1.5H inches - 33 Lbs

36 pcs for pallet