

4

3

2

1

D

D

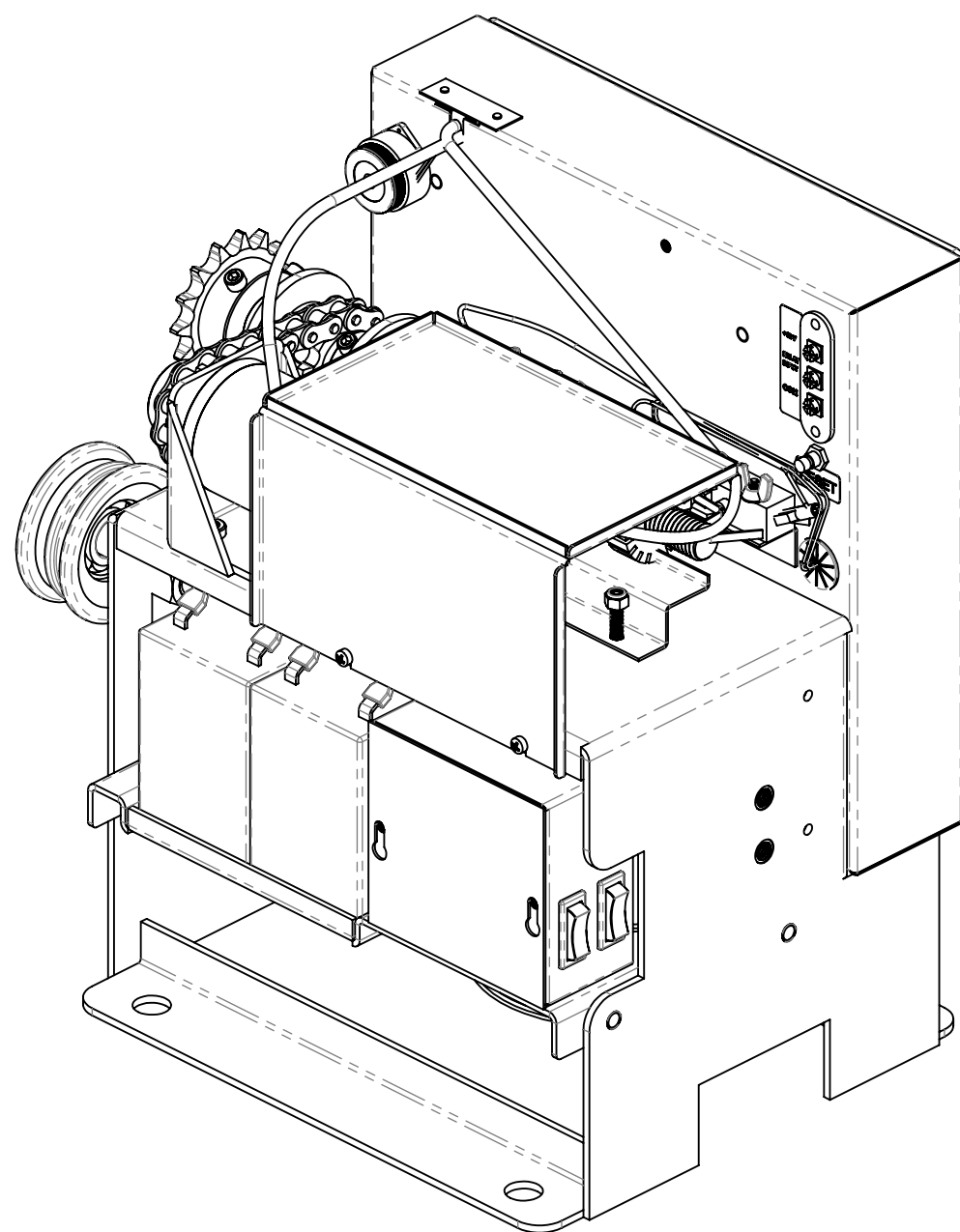
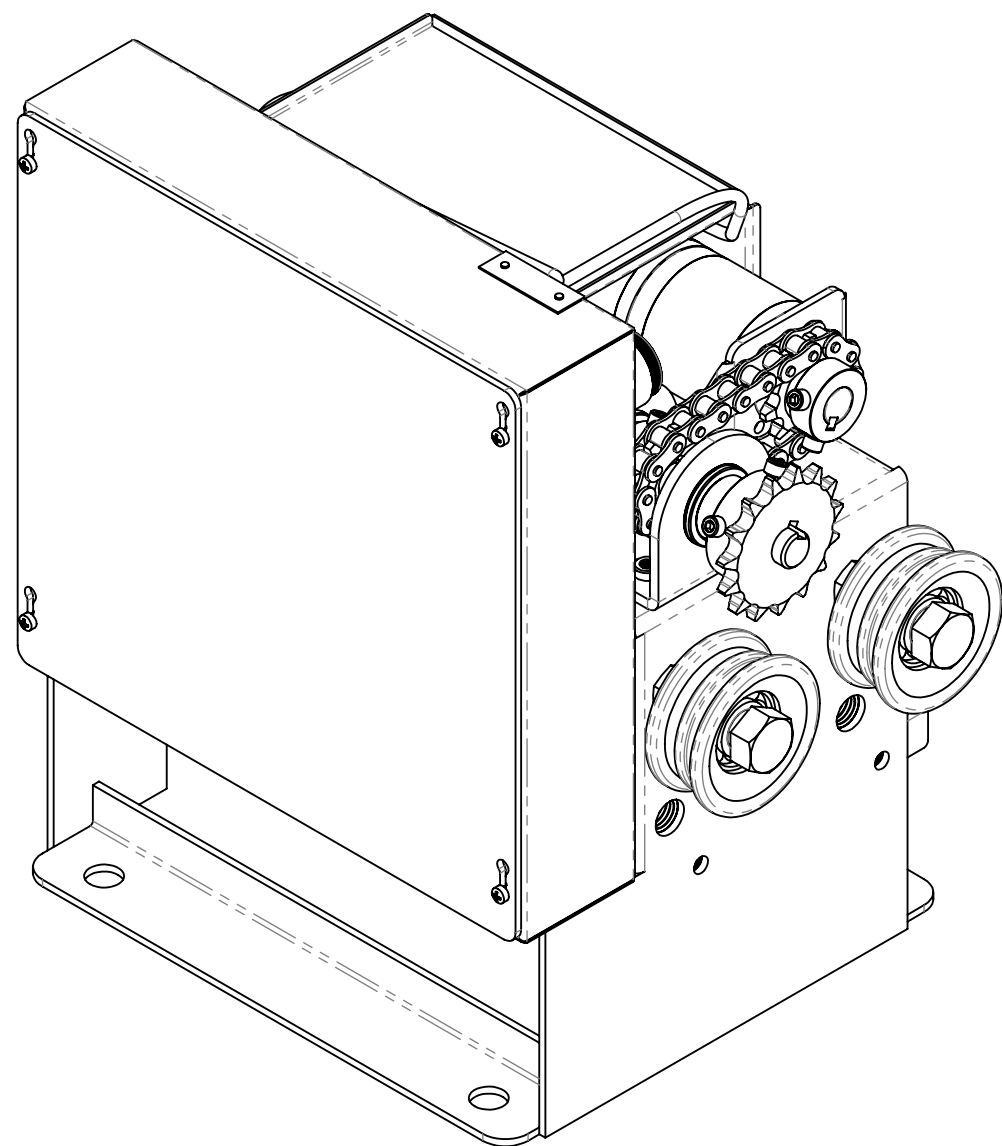
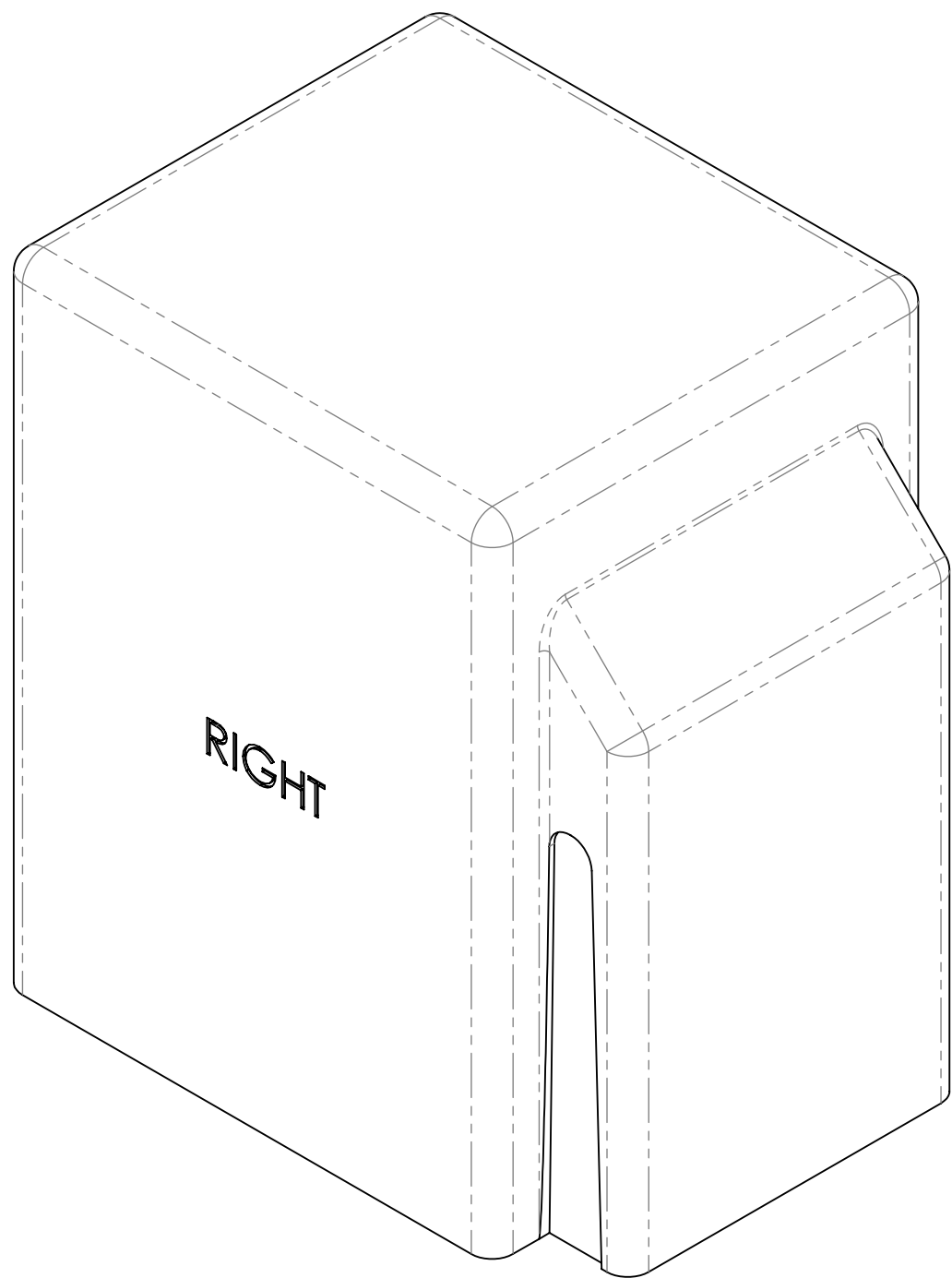
C

C

B

A

A



ITEM NO.	DESCRIPTION	PART NUMBER	QTY.
1	FRAME ONLY	SL-45FM	1
2	GEARHEAD DC MOTOR	MTR-45	1
3	GEARHEAD DC MOTOR MOUNTING BRACKET	MTR-45B	1
4	GEARHEAD DC MOTOR SPROCKET	41B10X58	2
5	MAIN DRIVE CHAIN	41NPX12	1
6	CONTROL BOX ASSEMBLY	CBX-AY45	1
7	CONTROL BOX	CBX-45	1
8	CONTROL BOX COVER	CBC-45	1
9	CONTROL BOX DC 45 CIRCUIT BOARD	BLDC-ULPCB45	1
10	CONTROL BOX RESET PUSH BUTTON	COM-1004	1
11	CONTROL BOX ALARM BUZZER	COM-1005	1
12	CONTROL BOX RADIO RECEIVER STRIP	COM-1003	1
13	CONTROL BOX BRIDGE RECTIFIER	COM-1006	1
14	CONTROL BOX ON/OFF POWER SWITCH	COM-1000	2
15	CONTROL BOX LINE IN HARNESS	COM-1016	1
16	LIMIT SHAFT AND SWITCH ASSEMBLY	LSA-AY45	1
17	LIMIT SWITCH PLATE	LSP-45	1
18	LIMIT SWITCH	COM-1007	2
19	LIMIT SWITCH WIRE HARNESS	LSH-45	1
20	LIMIT / DRIVE SHAFT	LST-45	1
21	LIMIT SWITCH PLASTIC NUT	COM-1008	2
22	LIMIT / DRIVE SHAFT MOUNT	LST-M45	1
23	LIMIT SHAFT BEARINGS - 5/8"	BRG-6202B	2
24	MAIN DRIVE SPROCKET	41B15X58	1
25	LIMIT TABLE SPRING (2)	SPG-7575	2
26	POWER SUPPLY BOX ASSEMBLY	PSB-AY45	1
27	POWER SUPPLY BOX TRANSFORMER	TFR-45	1
28	POWER SUPPLY BOARD	EMI-PCB	1
29	POWER SUPPLY BOX	PSB-45	1
30	POWER SUPPLY BOX COVER	PSC-45	1
31	POWER SUPPLY WIRE HARNESS	PSH-45	1
32	EXTERIOR PLASTIC COVER	EPC-45	1
33	PLASTIC IDLER	COM-1017	2
34	CHAIN BRACKET	COM-1009	1
35	CHAIN BOLT	COM-1010-1	1
36	7AH BATTERY	BTY-1270	2
37	BATTERY WIRE HARNESS	BTY-H45	1
38	LIMIT STAND	LSD-45	1
39	SET COLLAR	DSC-45	1
40	ACCESSORY SHELF	ACS-45	1
41	BATTERY SHELF	BAS-45	1

ALL-O-MATIC, Inc.
 7820 Gloria Ave. Phone: (818) 787-1988
 Van Nuys CA, USA 91406
 EMAIL: fortino@allomatic.net

DIMENSIONS ARE IN INCHES
 BREAK SHARP EDGES 10-40
 MACHINED SURFACE FINISH IS
 1.6 MICROMETERS
 DO NOT SCALE DRAWING

THE INFORMATION DISCLOSED HEREIN WAS ORIGINATED BY
 AND IS THE PROPERTY OF ALL-O-MATIC, INC. AND ALL PATENT,
 PROPRIETARY, DESIGN, USE, SALE, MANUFACTURING, AND
 REPRODUCTION RIGHTS THERE TO ARE RESERVED BY
 ALL-O-MATIC, INC.

DRAWN BY: S. HUERTA DATE: 08/23/2021 CHECKED BY: DATE CHECKED:

MATERIAL: RAW MAT:

TITLE: **SL-45DC**

SYMBOL	ECO#	ENGINEERING CHANGE ORDER REVISION DESCRIPTION	BY	CKD	DATE	SHEET 1 OF 2	SCALE: 1:3	DRAWING SIZE: C	PART#:

4

3

2

1

4

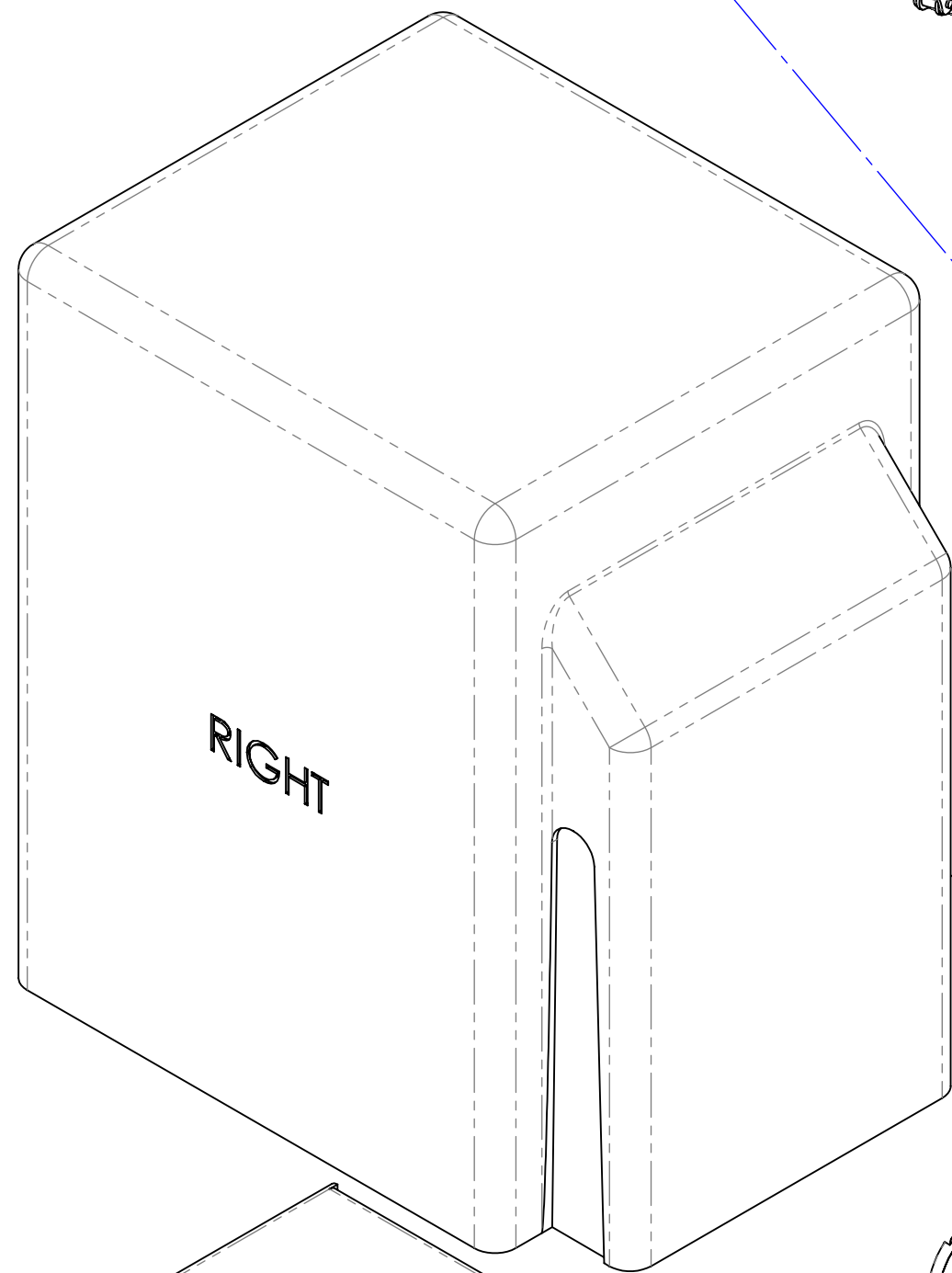
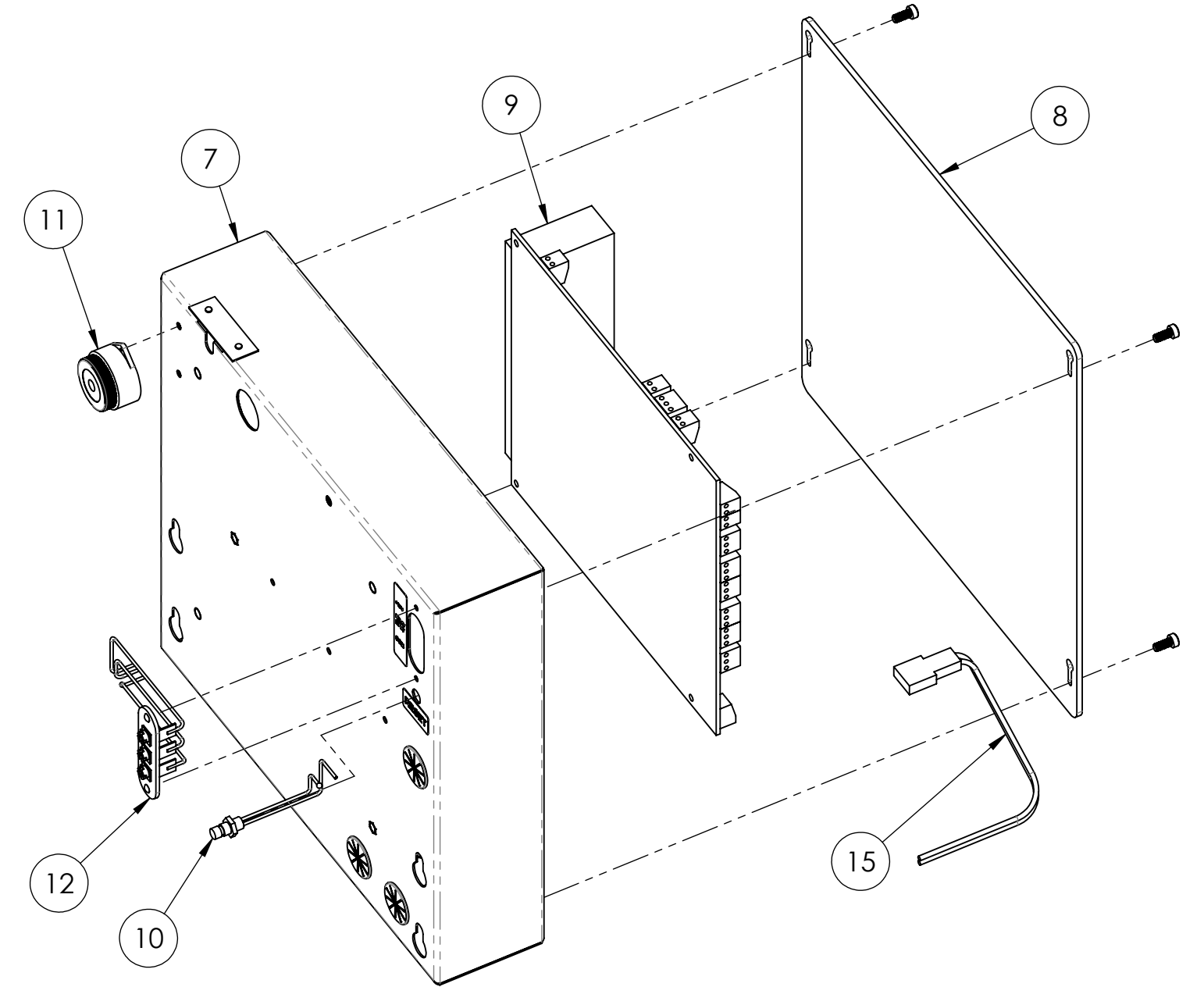
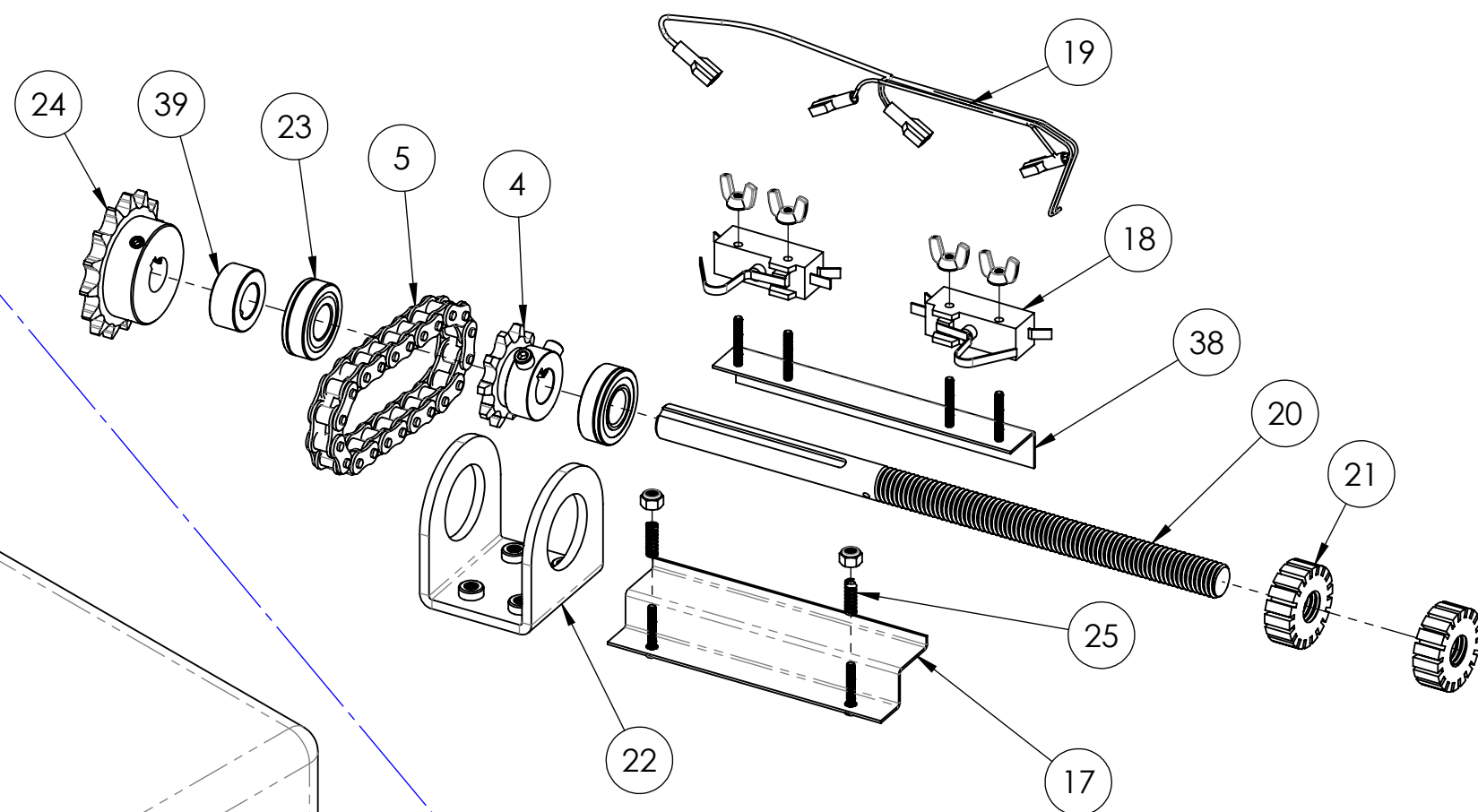
3

2

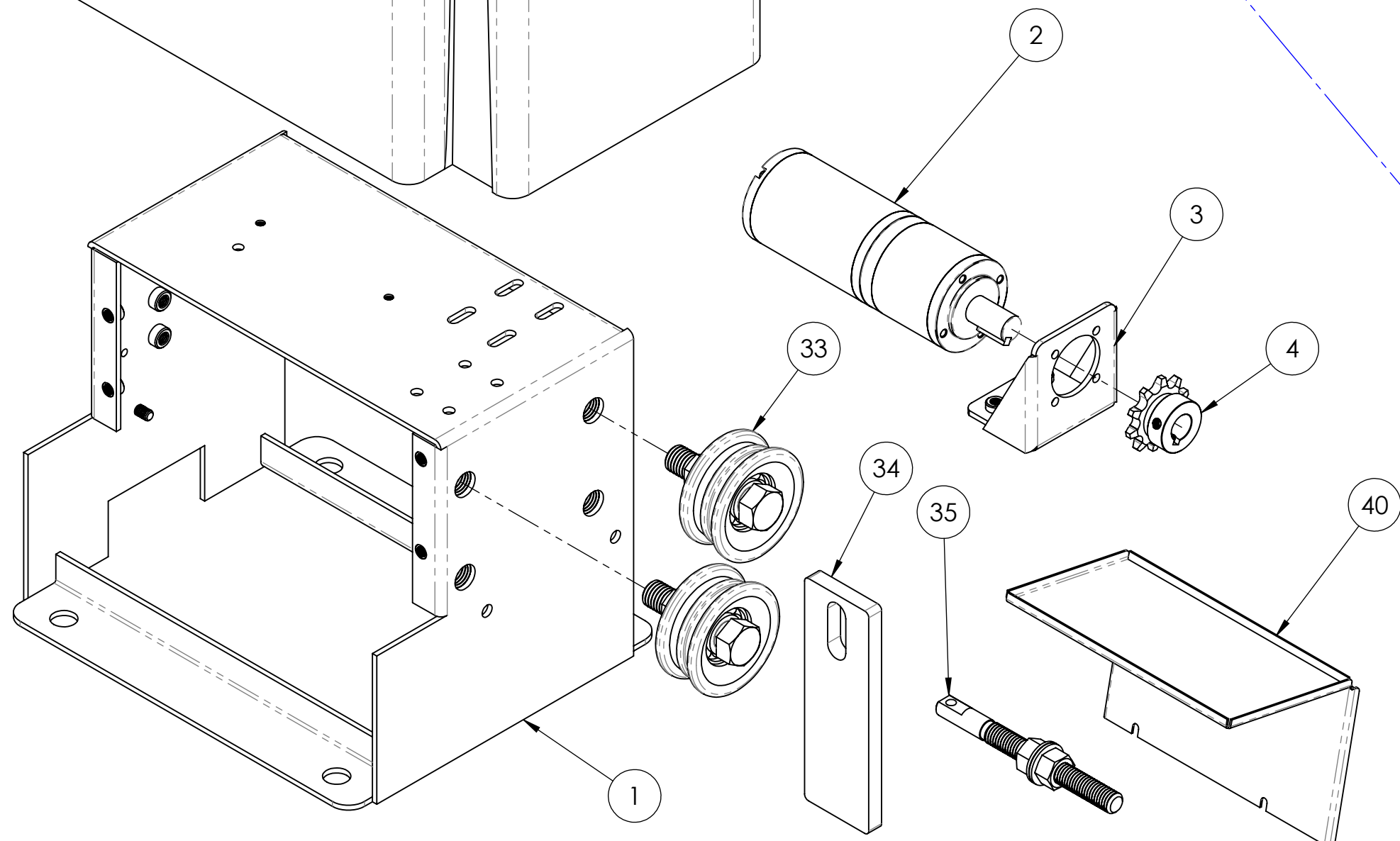
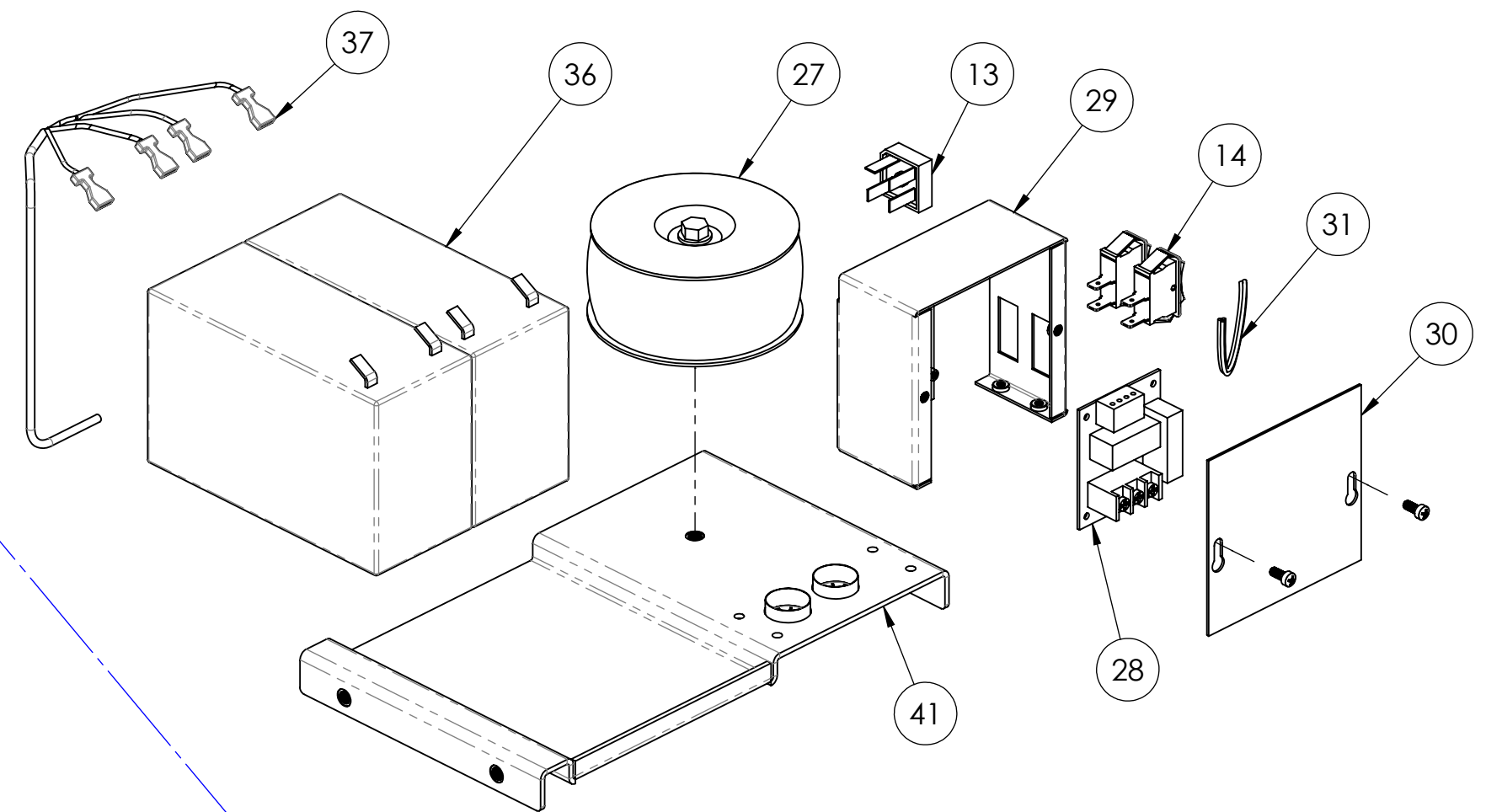
1

LIMIT SHAFT AND SWITCH ASSEMBLY: LSA-AY45 (16)

CONTROL BOX ASSEMBLY: CBX-AY45 (6)



POWER SUPPLY BOX ASSEMBLY: PSB-AY45 (26)



ALL-O-MATIC, Inc.
 7820 Gloria Ave. Phone: (818) 787-1988
 Van Nuys CA, USA 91406
 EMAIL: fortino@allomatic.net

DIMENSIONS ARE IN INCHES
 BREAK SHARP EDGES 10-40
 MACHINED SURFACE FINISH IS
 1.6 MICROMETERS
 DO NOT SCALE DRAWING

THE INFORMATION DISCLOSED HEREIN WAS ORIGINATED BY
 AND IS THE PROPERTY OF ALL-O-MATIC, INC. AND ALL PATENT,
 PROPRIETARY, DESIGN, USE, SALE, MANUFACTURING, AND
 REPRODUCTION RIGHTS THERETO ARE RESERVED BY
 ALL-O-MATIC, INC.

DRAWN BY: S. HUERTA DATE DRAWN: 08/23/2021 CHECKED BY: DATE CHECKED:
 MATERIAL: RAW MAT:
 TITLE: **SL-45DC**

SYMBOL	ECO#	ENGINEERING CHANGE ORDER REVISION DESCRIPTION	BY	CKD	DATE	SHEET 2 OF 2	SCALE: 1:3	DRAWING SIZE: C	PART#:
--------	------	---	----	-----	------	--------------	------------	-----------------	--------

4

3

2

1