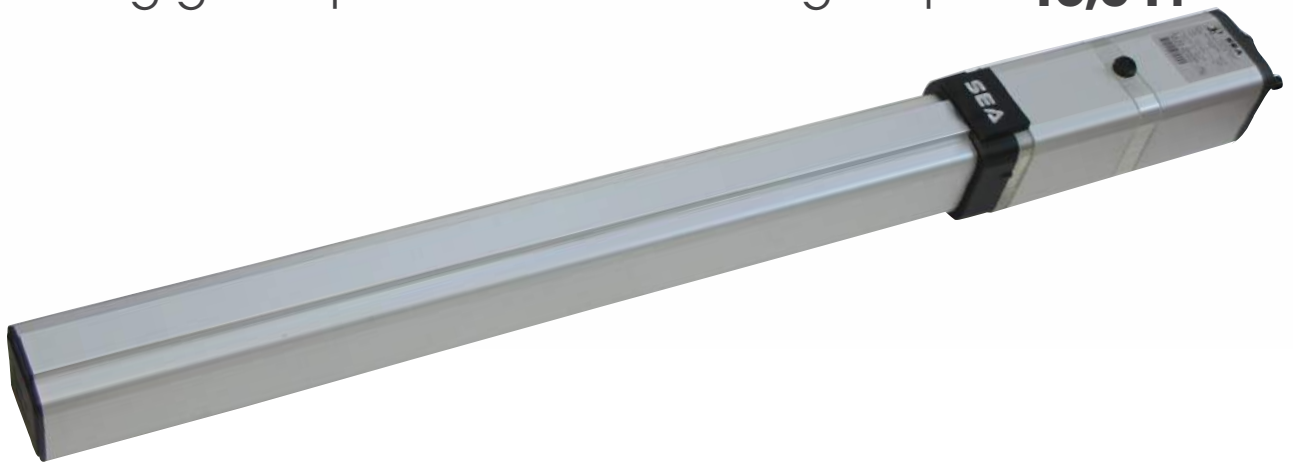




HALF TANK 24V

LOW VOLTAGE 24V HYDRAULIC

swing gate operator max leaf length up to **16,5 Ft**



Position Gate -
Linear encoder



Release system accessible
through special key for
max security



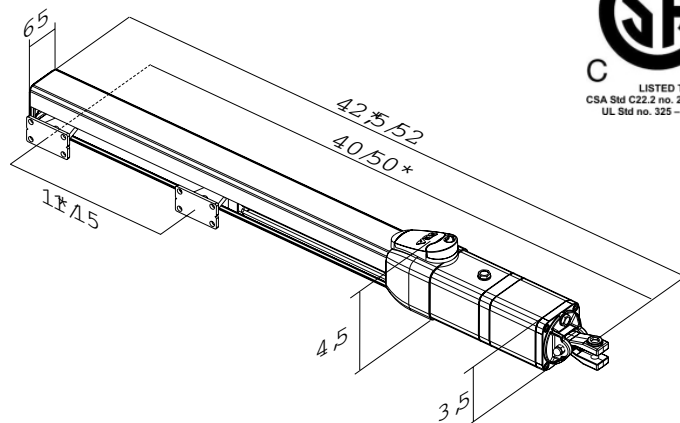
Round joint for stroke
adjustment

- ▶ Hydraulic operator with lock in opening and closing (AC)
- ▶ Force and slowdown adjustment on USER 2 - 24V DG HYDRO control unit
- ▶ High anti-crushing safety
- ▶ Emergency batteries and solar panel SUNNY KIT (optional)
- ▶ 0.8 inches rod diameter
- ▶ Piston stroke 10.6 inches
- ▶ Integrated linear encoder for the best setting on reverse and position management
- ▶ Low consumption motor
- ▶ Standard aluminum oscillating back fixing fork

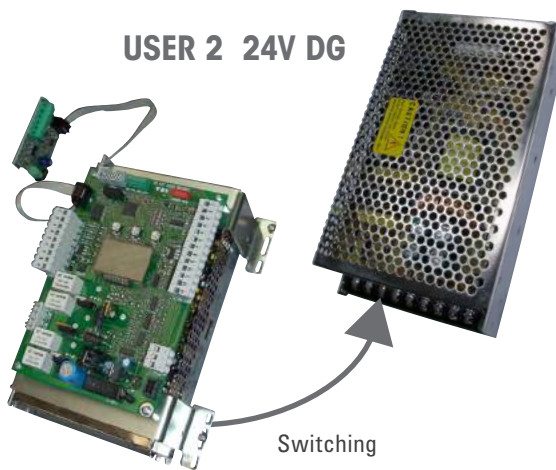
AC VERSION WITH LOCK IN OPENING
AND CLOSING

WITH HYDRAULIC SLOWDOWN FOR A
SMOOTH APPROACH OF THE LEAVES
IN CLOSING

SPECIFICATIONS	HALF TANK 24V
Power supply	120V or 220V
Power Consumption (W)	40 W
Operating T° range (F°)	-4°F to 131°F*
Opening time 90° (sec)	12 sec
Cycles/hour	70
Duty	commercial-industrial
Protection class	IP55
Max leaf length	16,5 Ft
Max leaf weight	1.100 Lbs
Max opening angle (degrees)	90°/120°
Maximum force output	640 daNm
Anti-crushing protection	by pass / electronic
Linear encoder	POSITION GATE
Slowdown	hydraulic
Battery backup	STAR 1000



USER 2 24V DG



Switching

Voltage stabilizer for the protection of the automation from any interference, of the network or from the current load at 115V. It keeps the output voltage stable during sudden changes of the electric current and makes sure that the value of output voltage is correct and if it's not, it provides within a fraction of a second to bring it to the exact value.

ACCESSORIES



G-LOCK
Magnetic Lock



PROBE
Kit Probe to manage low temperature + counter-plate for card LE + cable 6 Ft

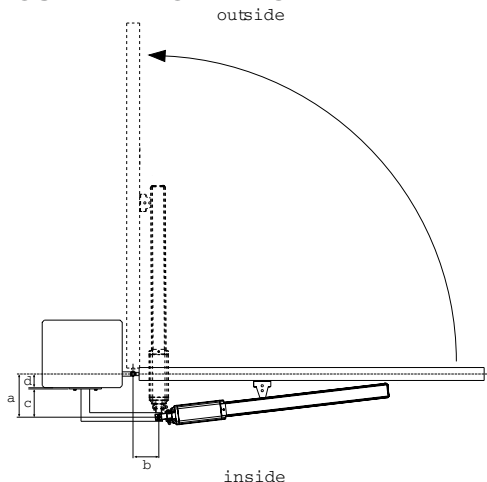


LOCK KIT 12V
Electric lock Counter-plate for external and internal cylinder



Green oil
1 quarter of bottle

OUT-WARD OPENING



IN-WARD OPENING

