



ORION BOX 24V DC FAST

Residential electromechanical chain sliding operator for gate up to **900 lbs**



FAST opening 1 1/2 feet -sec



METAL CASE



User friendly manual release with key



Ball bearing wheels

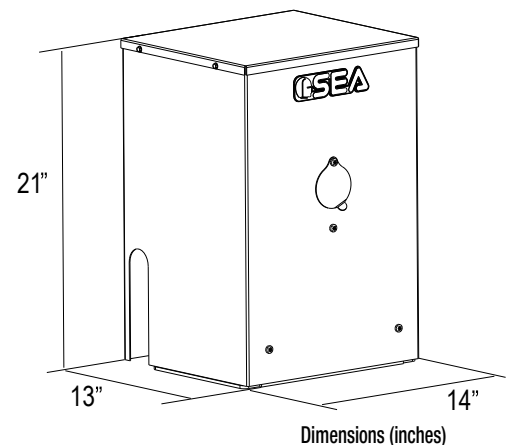


Mechanical limit switches



Battery backup

- It is very smooth and exceptionally quiet
- Slow down in opening/closing with USER 1 - 24V DG
- Reverse on obstruction
- Metal cover with cataphoresis treated box
- It is a unique compact motorized gear box
- Receiver included
- Buzzer alarm
- In option solar panel (KIT SUNNY)
- Battery back-up 7 Ah included
- Duty Cycles*: 40% depending on gate size and installation



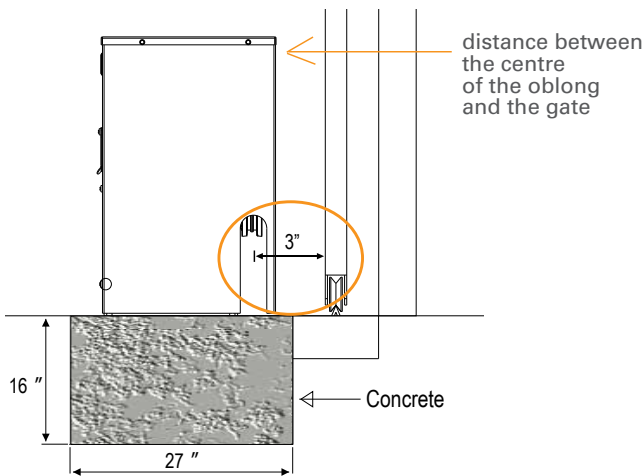
NATURE FRIENDLY
kit Sunny compatible



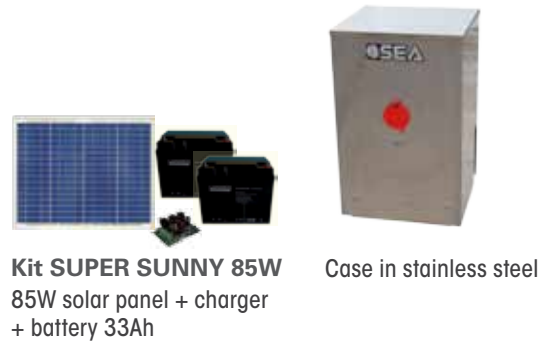
SPECIFICATIONS	ORION BOX 24V FAST
Power supply	120 V (±5%) 50/60 Hz
Power	160 W
Absorbed current	3,5 A
Thrust force	from 0 to 40 Nm
Leaf speed (pinion Z20)	Adjustable
Use rate	40%
Max gate weight	900 lbs
Max gate opening	25 ft
Type of limit switch	electromechanical
Operating temperatures	from -4°F to 131°F
Operator weight	73 lbs
Protection class	IP 55
Opening time	up to 1 ½ feet/sec

■ USER 1 24V DG Maxi

- Management of one 24V motor
- Adjustable slowdown in opening and closing
- Motor speed adjustment
- Adjustable pedestrian opening
- 24V Led warning lamp
- Connector for RF radio receiver plug-in
- Working times self-learning
- Simplified programming through buttons and display
- Programming through JOLLY 3 palm also
- Adjustable amperometric type inversion on obstacle
- Photocells self-test
- Balanced or standard safety edge management
- Extractable terminals
- Separate torque adjustment for opening and closing
- Slowdown speed adjustment
- Emergency battery management through optional battery charging card
- Automatic, security and step by step type 1, step by step type 2, 2 buttons, dead-man logics
- Motor inversion and limit switch (right/left hand mounting)
- Automatic closing setting
- Start in pause setting
- Prepared for Master/Slave function
- Low consumption in standby
- Adjustable courtesy light output up to 4 minutes
- Setting number of cycles for assistance
- Settable photocell inputs
- Management of photocells 10K
- ... and many other functions



■ ACCESSORIES



PACKAGE ORION BOX 24V FAST

N.1	ORION BOX with control board USER 1 24V DG Maxi
N.20	Feet of chain (type 40)
N.1	Receiver
N.2	Remote controls 433 Mhz
N.1	Installation accessories Kit
N.1	Installation instructions and general notice
N.1	Warning signboard
1 pc Pallet 18x17x H32 inches - 86 LBS	
12 pcs for pallet	