

# SECURE GUN CABINET

## INSTALLATION GUIDE



### **WARNING: Excessive weight hazard!**

Use two or more people to move, assemble, or install Cabinet to avoid back injury. Do not leave children unattended near the cabinets. High risk of tipping if cabinets are installed incorrectly: securely attach cabinets to the wall to avoid serious injury.

For assistance, call 1.877.306.8930; e-mail at [info@newageproducts.com](mailto:info@newageproducts.com).



### **ATTENTION:**

Is your Cabinet damaged?

Need help or spare parts? For fastest service, contact NewAge Products at 1-877-306-8930 or [support@newageproducts.com](mailto:support@newageproducts.com).

Do not return to the retailer.

# Index

---

<b>NEWAGE PRODUCTS INC. GARAGE SERIES MANUFACTURER WARRANTY</b>	<b>3</b>
<b>Unpacking</b>	<b>5</b>
<b>Product Inspection</b>	<b>5</b>
<b>Tools Needed</b>	<b>5</b>
<b>Hardware Pack</b>	<b>6</b>
<b>Parts &amp; Accessories Supplied</b>	<b>7</b>
<b>Individual Accessories</b>	<b>8</b>
<b>Different Layouts with accessories.</b>	<b>9</b>
<b>Weight Capacity</b>	<b>10</b>
<b>Installation options</b>	<b>12</b>
<b>Installing Feet (Optional)</b>	<b>13</b>
<b>Hanging Cabinets to Wall</b>	<b>14</b>
<b>Securing Cabinets to Wall</b>	<b>17</b>
<b>Fastening Cabinets</b>	<b>18</b>
<b>Installing Worktop Side Support Bracket</b>	<b>19</b>
<b>Inserting Locker Utility Rod and Hangers</b>	<b>20</b>
<b>Inserting Cabinet Shelf</b>	<b>21</b>
<b>Installing Accessories - Parts Bin &amp; Support</b>	<b>23</b>
<b>Installing Accessories - Pistol Holder</b>	<b>24</b>
<b>Installing Accessories - 34in Shelf</b>	<b>25</b>
<b>Installing Accessories - 13in Shelf</b>	<b>28</b>
<b>Installing Accessories - Stock Shelf</b>	<b>31</b>
<b>Installing Accessories - Individual barrel rests</b>	<b>32</b>
<b>Installing Accessories - Side barrel rests</b>	<b>33</b>

---

# NEWAGE PRODUCTS INC. GARAGE SERIES MANUFACTURER WARRANTY

## PROOF OF PURCHASE IS REQUIRED TO OBTAIN WARRANTY SERVICE.

Please have the following information available when you call our customer service team:

- Name, address and telephone number
- Product Name / SKU Number
- A clear, detailed description of the problem
- Proof of purchase including order number

## Register your NewAge Products purchase online for quicker customer assistance and access to exclusive benefits

Visit [www.newageproducts.com/register/](http://www.newageproducts.com/register/)

## Warranty Claim

For warranty service please contact NewAge Products at **1-877-306-8930**; or [support@newageproducts.com](mailto:support@newageproducts.com)

Please review all warranty details below, prior to contacting NewAge Products for a claim.

Scan the QR code on the right to access our support page or visit [www.newageproducts.com/contact-us/](http://www.newageproducts.com/contact-us/)



Scan this QR code with the camera on your mobile device to visit the NewAge Products Support Hub  
[www.newageproducts.com/support-hub/](http://www.newageproducts.com/support-hub/)

# LIMITED LIFETIME WARRANTY

## WHAT IS COVERED

When this product is installed, operated and maintained according to the instructions attached to or furnished with the product, NewAge Products Inc. will replace the defective product or parts if the part fails as a result of defective materials or workmanship for the warranty duration from the purchase date of the product.

## WHAT IS NOT COVERED

1. Service calls to correct the installation of any NewAge products or to instruct you how to use or install them.
2. Damage resulting from products caused by accident, misuse, abuse, fire, flood, improper installation, acts of God, neglect, modification, improper maintenance and normal wear and tear or mishandling.
3. Any part which has been subject to excessive use, accident, negligence, improper installation and alteration.
4. Products damaged by improperly loading beyond the specified maximum weight capacity outlined in the instructions provided with the product.
5. Repairs or replacement when your product is used in other than normal, residential use, such as a commercial environment, or handled in anyway inconsistent with the installation instructions included with the product.
6. Cosmetic damage, including scratches, dings, dents or cracks in paint that do not affect the structural or functional capability of the product.
7. Surfaces damaged due to improper use of chemicals, and detergents.
8. Replacement parts for NewAge products outside Canada and the United States.
9. Loss due to theft.
10. Damage resulting from use of the product contrary and not in accordance to the instruction manual.
11. Any labor costs during the warranty period.
12. Contents of the Secure Gun Cabinet are not covered under this Warranty

## DISCLAIMER OF IMPLIED WARRANTIES

IMPLIED WARRANTIES, INCLUDING TO THE EXTENT APPLICABLE WARRANTIES OF MERCHANTABILITY OR FITNESS FOR A PARTICULAR PURPOSE, ARE EXCLUDED TO THE EXTENT LEGALLY PERMISSIBLE. ANY IMPLIED WARRANTIES THAT MAY BE IMPOSED BY LAW ARE LIMITED TO ONE YEAR, OR THE SHORTEST PERIOD ALLOWED BY LAW. THIS WARRANTY IS LIMITED TO THE ORIGINAL BUYER. Some states and provinces do not allow limitations on the duration of implied warranties of merchantability or fitness, so this limitation may not apply to you. This warranty gives you specific legal rights, and you also may have other rights that vary from state to state or province to province.

## LIMITATION OF REMEDIES; EXCLUSION OF INCIDENTAL AND CONSEQUENTIAL DAMAGES

YOUR SOLE AND EXCLUSIVE REMEDY UNDER THIS LIMITED WARRANTY SHALL BE PRODUCT REPAIR OR REPLACEMENT AT OUR DISCRETION AS PROVIDED HEREIN. NEWAGE SHALL NOT BE LIABLE FOR INCIDENTAL OR CONSEQUENTIAL DAMAGES. Some states and provinces do not allow the exclusion or limitation of incidental or consequential damages, so these limitations and exclusions may not apply to you. This warranty gives you specific legal rights, and you also may have other rights that vary from state to state or province to province.

# Warning

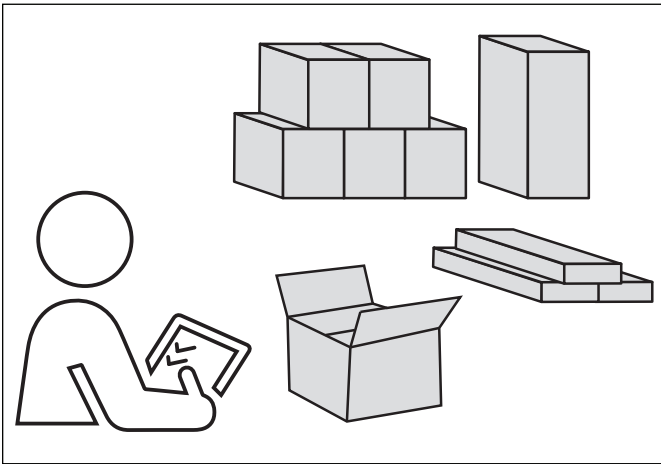
---

- Always follow local laws when storing weapons in NewAge Secure Gun Cabinet.
- Always follow the firearm safety rules set out by the firearm's manufacturer.
- Always keep the Secure Gun Cabinet locked with the key out of reach from children or strangers.
- Children should not be playing around or with the Secure Gun Cabinet.
- Record the serial number of your key. You will need this serial number for key and door replacement parts.

# Unpacking

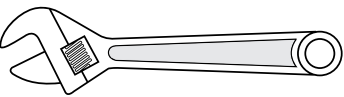
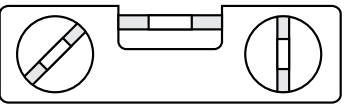
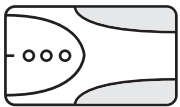
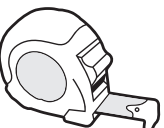



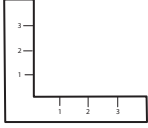
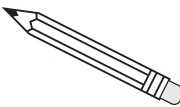
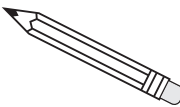
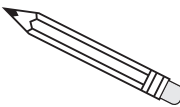
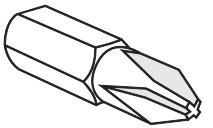


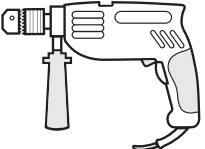

- Begin by placing the package on a covered flat surface.
- Remove all cardboard, foam packaging material and nylon bags.
- Dispose / recycle all packaging materials.
- Verify all the contents in the box and gather the required tools. See "Tools Needed" in the list below.

# Product Inspection

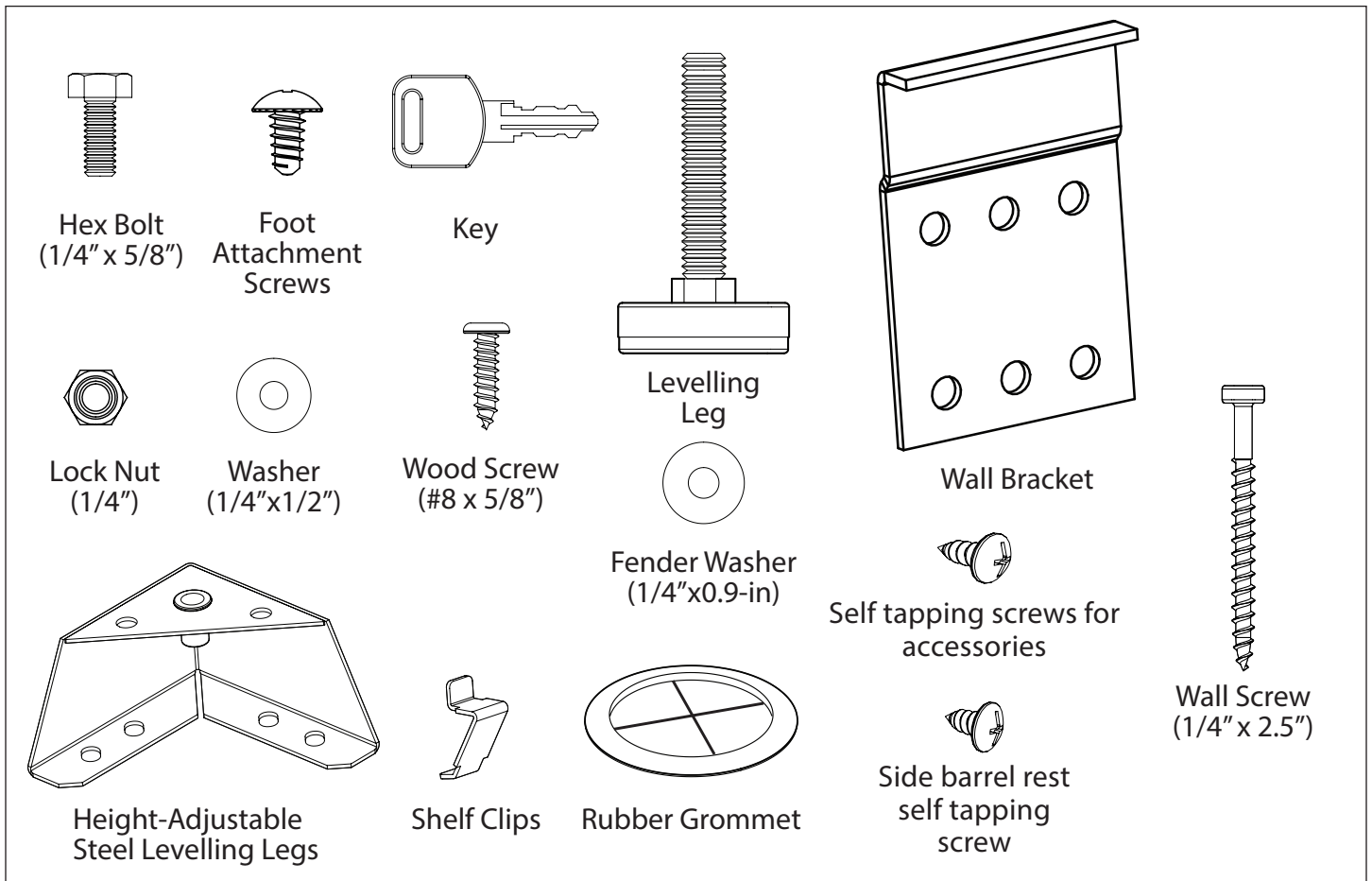


- Check to see all parts are received as per the order placed.
- Contact NewAge Products at 1-877-306-8930; for any missing parts.
- Inspect the products for any damages before starting the installation.
- Go through the installation instructions carefully before starting the installation.

# Tools Needed

			
<b>1 x Adjustable wrench</b>	<b>1 x 12" Magnetic Leveler</b>	<b>1 x Stud Finder</b>	<b>1 x Tape Measure</b>
			
<b>1 x 7/16" Socket driver wrench</b>	<b>1 x 8mm" Socket driver wrench</b>	<b>1 x 7/16" socket</b>	<b>1 x Set Square</b>
			
<b>1 x Pencil</b>	<b>1 x Pencil</b>	<b>1 x Pencil</b>	<b>1 x #2 Phillips Bit</b>
#2 Phillips head screw driver" data-bbox="70 825 210 845"/>			
<b>1 x #2 Phillips head screw driver</b>	<b>1 x #3 Phillips head screw driver</b>	<b>1 x Cordless Power Drill</b>	<b>1 x Hammer Drill</b>
			
			<b>1 x Masonry Bit</b>
			<b>[optional for masonry]</b>

# Hardware Pack

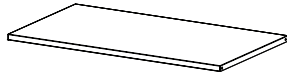


## Parts supplied and spare parts

S.No.	Part No.	Product Description	Included Qty	Spare Part SKU	Spare Part Qty
1.	PB3-77.003A-01 PB3-77.004A-01	Pro 36in secure gun cabinet Grey Door (2 Pack)	1 LH+1 RH	54033	1
2.	PB3-77.003A-01 PB3-77.004A-01	Pro 36in secure gun cabinet Black Door (2 Pack)	1 LH+1 RH	54034	1
3.	H00618A-01	Secure Gun Cabinet Key 219	2	54035	1
4.	H00618A-01	Secure Gun Cabinet Key 319	2	54036	1
5.	H00618A-01	Secure Gun Cabinet Key 419	2	54037	1
6.	H00569A-01	Self tapping screw for accessories	32	54049	1
7.	H00525A-01	Side barrel rest self tapping screw	8	54019	1

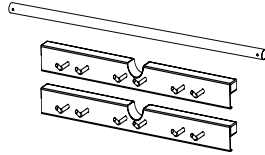
# Parts & Accessories Supplied

## Cabinet parts supplied



PB3-19.005.01A-01

Full Width  
Adjustable  
Shelf



PB3-19.004A-01-XX

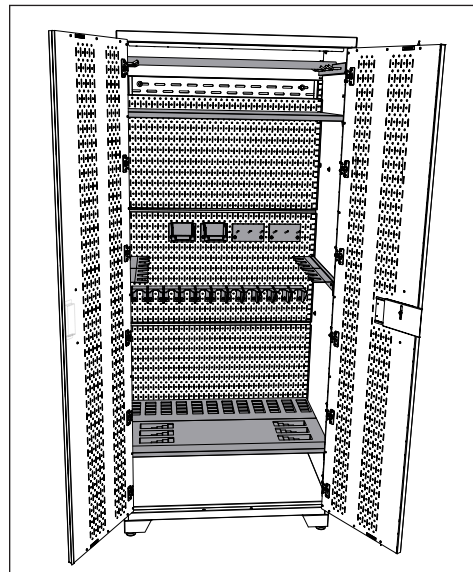
Clothes  
Rod and  
Hooks



PB3-19.008A-01-XX

Support  
Bracket

## Accessories supplied



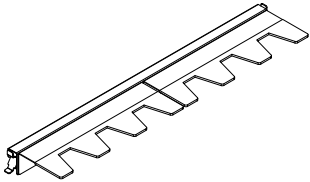
**36in Secure Gun Cabinet**

Engineering Part No.	Accessories included with the Cabinet	No of Items
PB3-140A-01-XX	Short barrel Rests	12
PB3-143A-01-XX	Side Barrel rests	2
PB3-141.001A-01-XX	34in Stock Shelf	1
PB3-141.002A-01-XX PB3-141.003A-01-XX	Stock Rest	2 (different pattern profiles)
PB3-137A-01-XX	Parts Bin & Bin Support	2
PB3-135A-01-XX	Pistol Holder	2

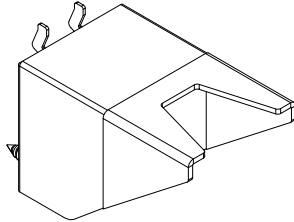
# Individual Accessories

---

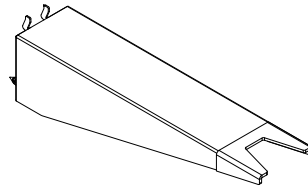
**Note:** To further customise your Secure Gun Cabinet , accessories below could be purchased separately.



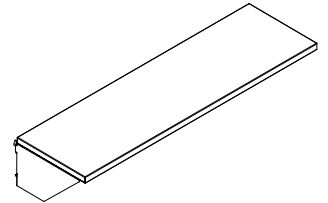
Side Barrel Rests (Pack of 2)  
**SKU# 54027**



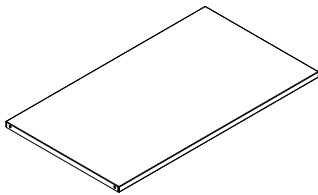
Short Barrel Rests (Pack of 2)  
**SKU# 54024**



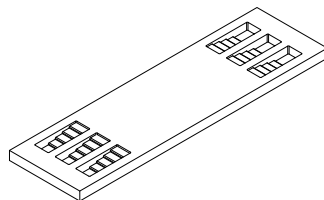
Long Barrel Rests (Pack of 2)  
**SKU# 54023**



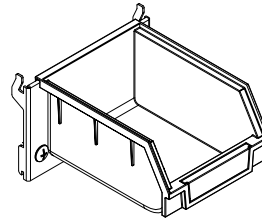
34in Shelf (Pack of 1)  
**SKU# 54020**



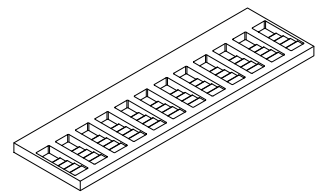
34in Stock Shelf (Pack of 1)  
**SKU# 54025**



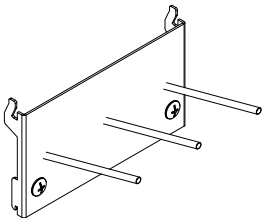
6 Gun Stock Rest for 36in Secure Gun Cabinet (Pack of 1)  
**SKU# 54030**



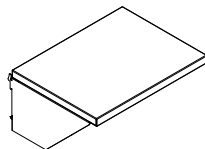
Part Bin & Bin Supports (Pack of 2)  
**SKU# 54028**



12 Gun Stock Rest for 36in Secure Gun Cabinet (Pack of 1)  
**SKU# 54029**



Pistol Holders (Pack of 2)  
**SKU# 54022**

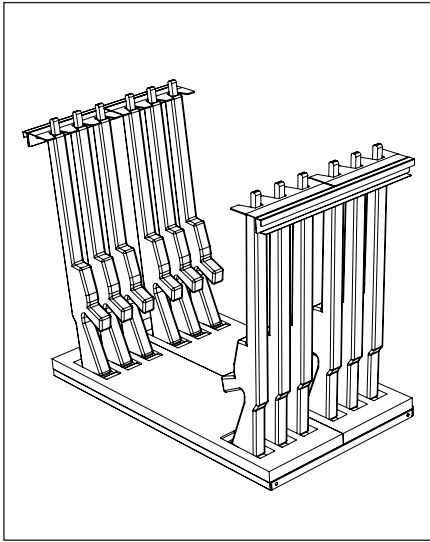


13in Shelf (Pack of 1)  
**SKU# 54021**



# Different Layouts with accessories.

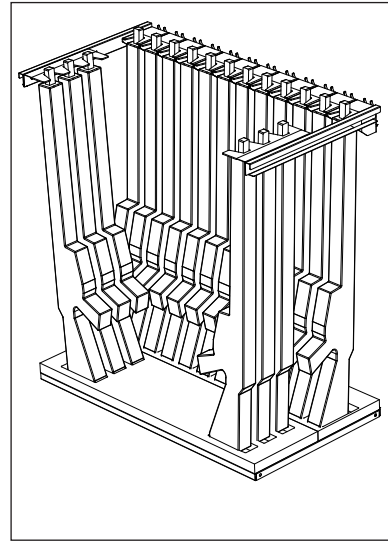
## 36in Secure Gun Cabinet



### 12 Rifle Setup

Accessories Required:

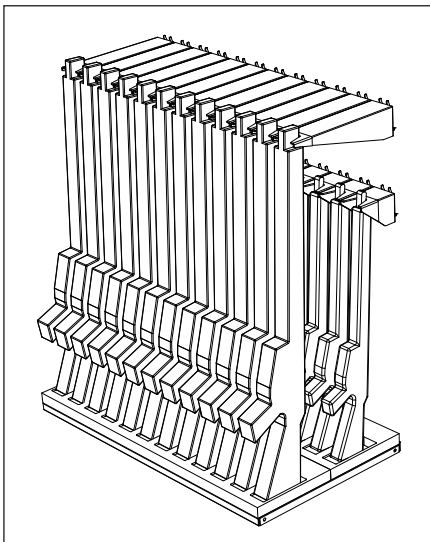
- X2 Side Barrel Rests
- X1 34in Stock Shelf with :  
X2 6 Gun Stock Rest



### 18 Rifle Setup

Accessories Required:

- X2 Side Barrel Rests
- X12 Short Barrel Rests
- X1 34in Stock Shelf with :  
X1 12 Gun Stock Rest  
X1 6 Gun Stock Rest

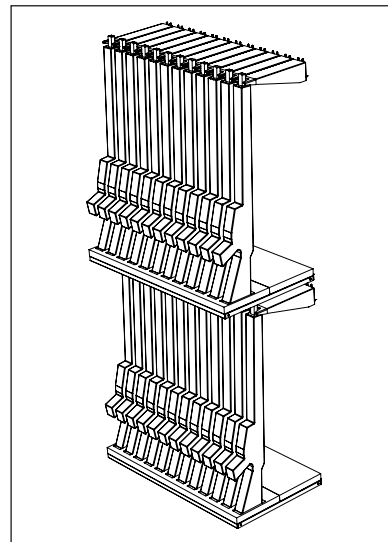


### 24 Rifle Setup

Accessories Required:

- X12 Long Barrel Rests
- X12 Short Barrel Rests
- X1 34in Stock Shelf with :  
X2 12 Gun Stock Rest

**Note:** This set up is ideal for small to medium sized rifles.

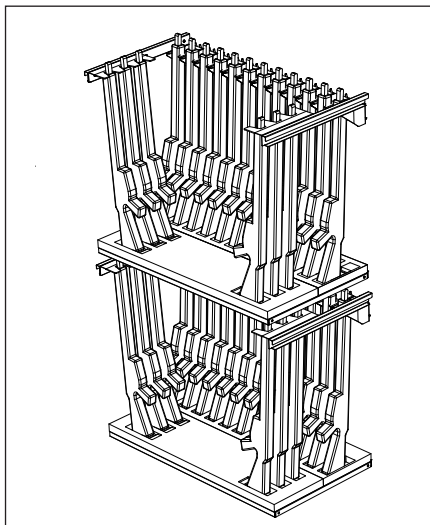


### 24 Rifle Setup

Accessories Required:

- X24 Long Barrel Rests
- X2 34in Stock Shelf with :  
X2 12 Gun Stock Rests  
X2 12 or 6 Gun Stock Rests (flipped upside down in image)

**Note:** This set up is ideal for small to medium sized rifles.

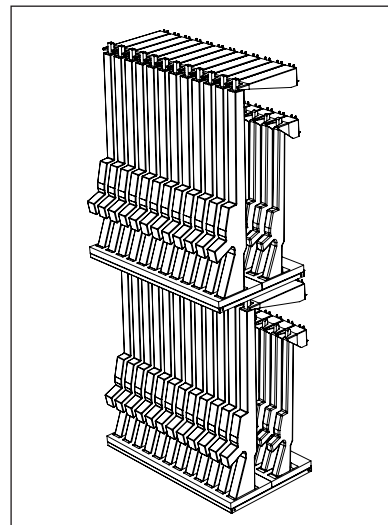


### 36 Rifle Setup

Accessories Required:

- X4 Side Barrel Rests
- X24 Short Barrel Rests
- X2 34in Stock Shelf with :  
X2 6 Gun Stock Rests  
X2 12 Gun Stock Rests

**Note:** This set up is ideal for small to medium sized rifles.



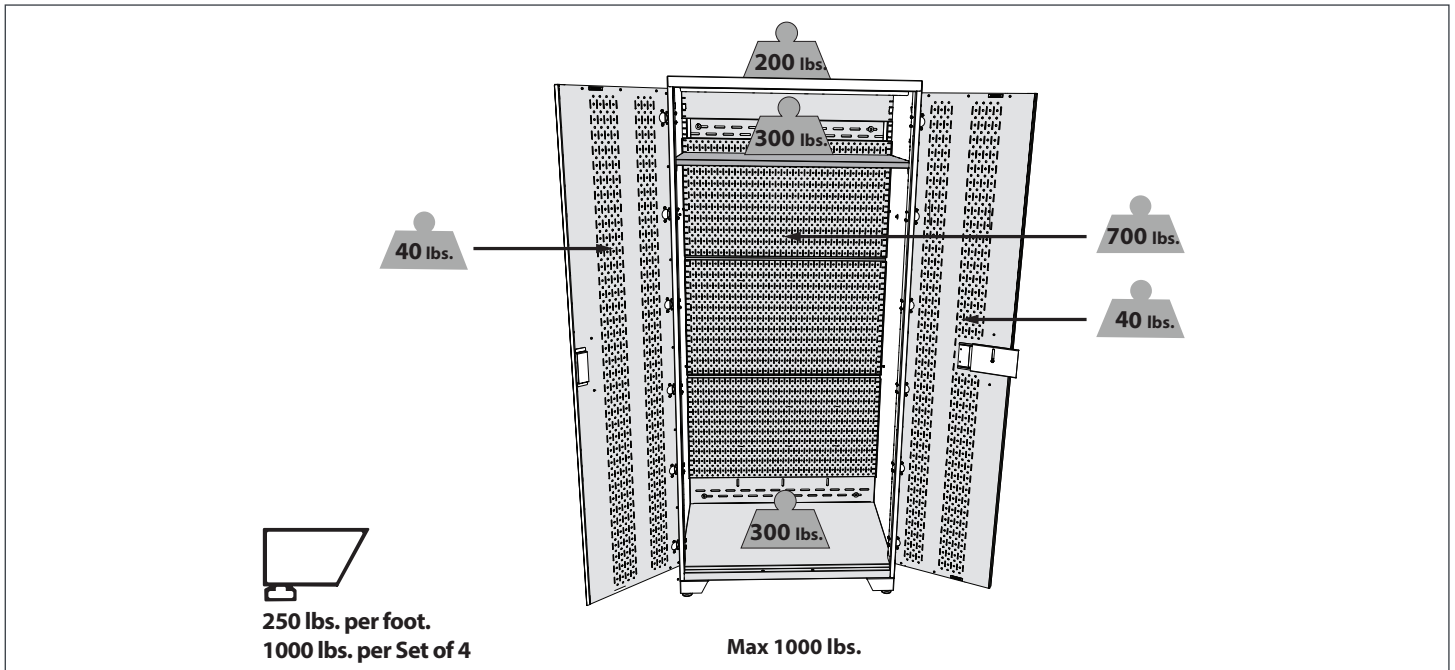
### 48 Rifle Setup

Accessories Required:

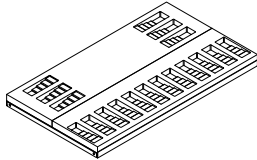
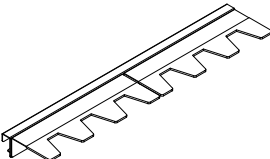
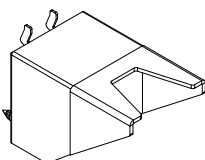
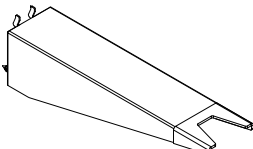
- X24 Long Barrel Rests
- X24 Short Barrel Rests
- X2 34in stock Shelf with :  
X4 12 Gun Stock Rests

**Note:** This set up is ideal for small to medium sized rifles.

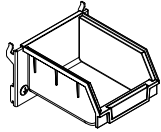
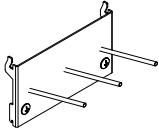
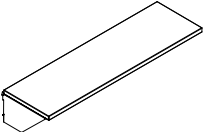
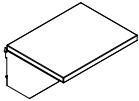
# Weight Capacity



**Note:** Cabinets are required to be secured to the wall in order to fulfill the claimed load capacities.

Accessory	Description	Weight Capacity (Lbs)
	34in Stock Shelf	300
	Side Barrel Rest	5
	Short Barrel Rest	5
	Long Barrel Rest	5

# Weight Capacity (Continued)

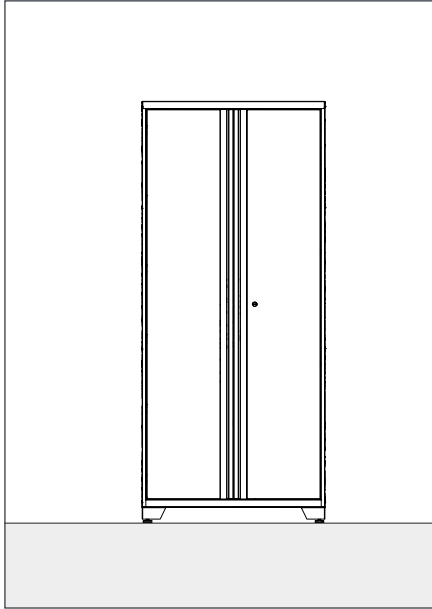
Accessory	Description	Weight Capacity (Lbs)
	Part bin and Part bin support	10
	Pistol Support	15 (5lb per hook)
	34in Shelf	100
	13in Shelf	50

# Installation options

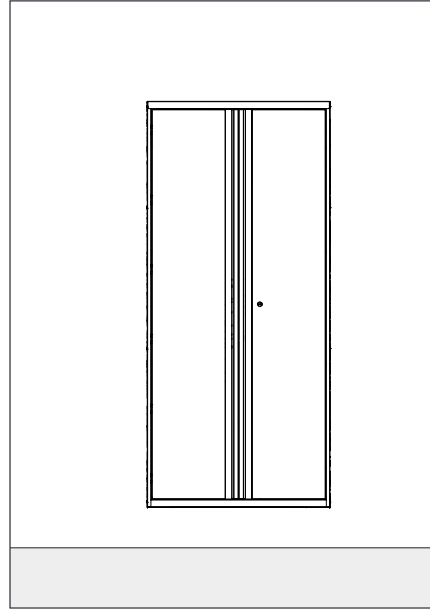
---

**Note:** All NewAge secure gun cabinets must be wall mounted during the installation.

Wall mount with adjustable levelling legs. Refer to Page 13 and 17.

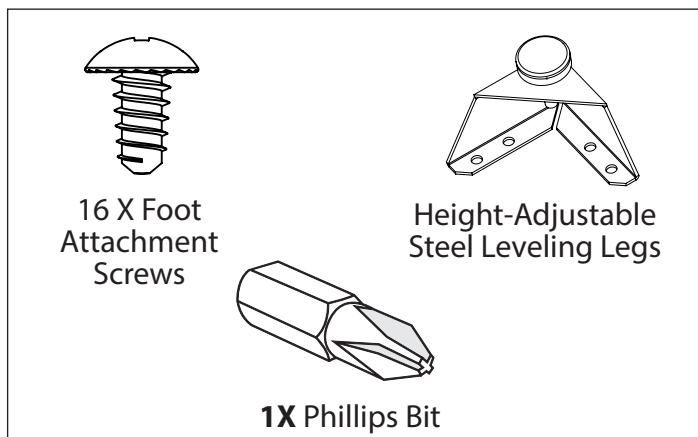


Wall mount using supplied wall mounting brackets. Refer to Page 14 -17.

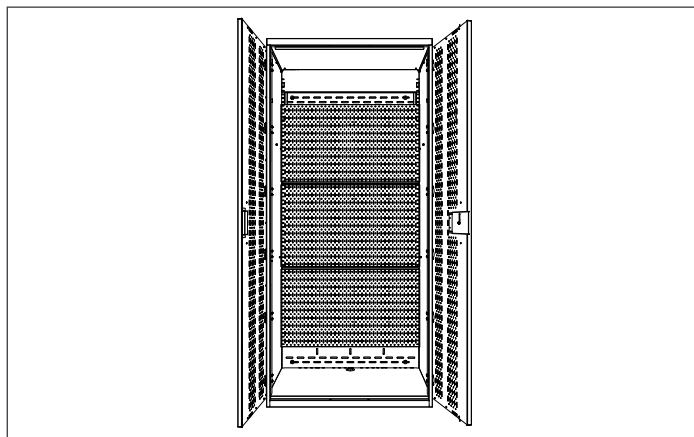


# Installing Feet (Optional)

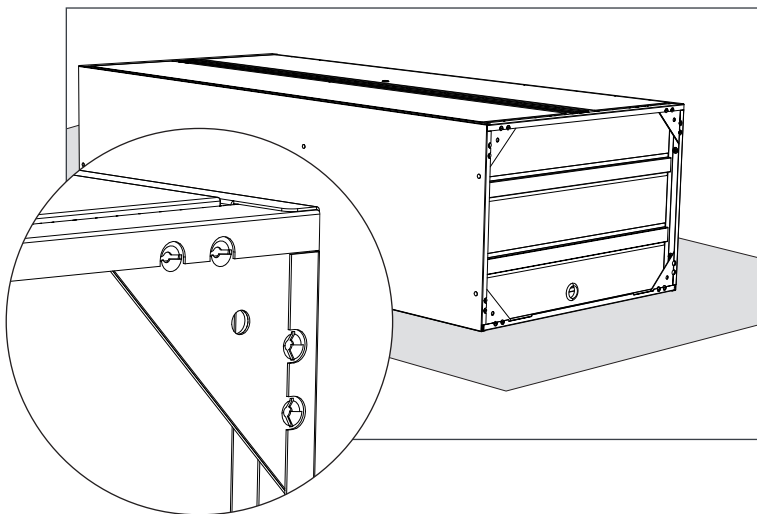
## **i** Parts and Tools Needed



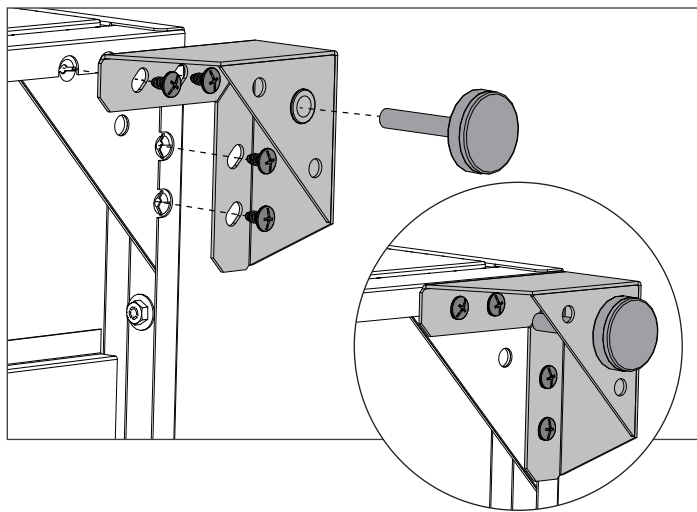
## **1** Open cabinet, remove any shelves or loose items.



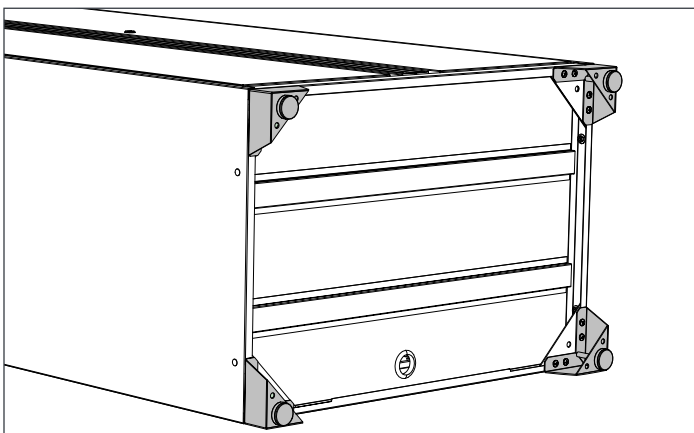
## **2** Place the cabinet on its back. Use protective surface on the floor. Locate holes at corners.



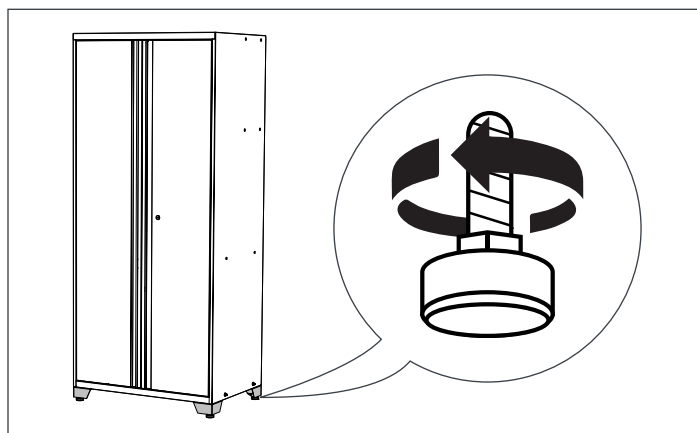
## **3** Align foot with edge of cabinet. Screw in 4 x foot attachment screws using #3 Phillips Bit.



## **4** Repeat step 3 for each corner.

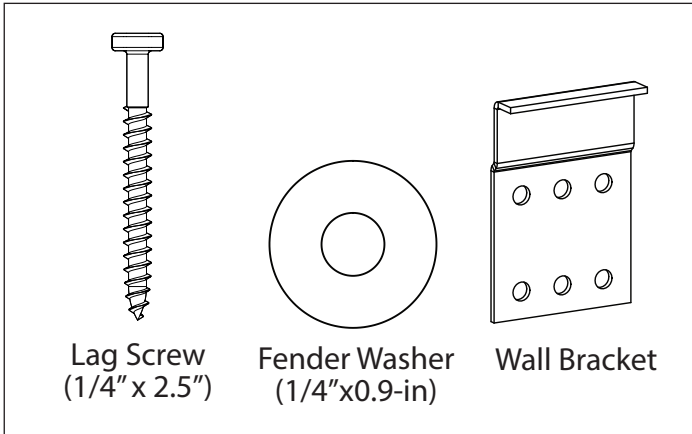


## **5** Stand & level feet.

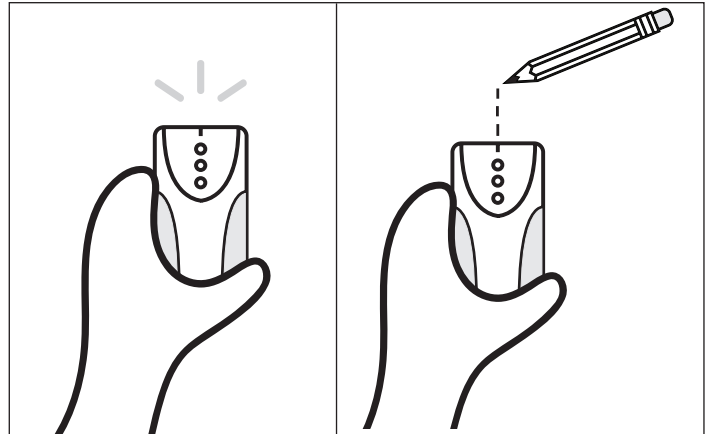


# Hanging Cabinets to Wall

## **i** Parts Needed.



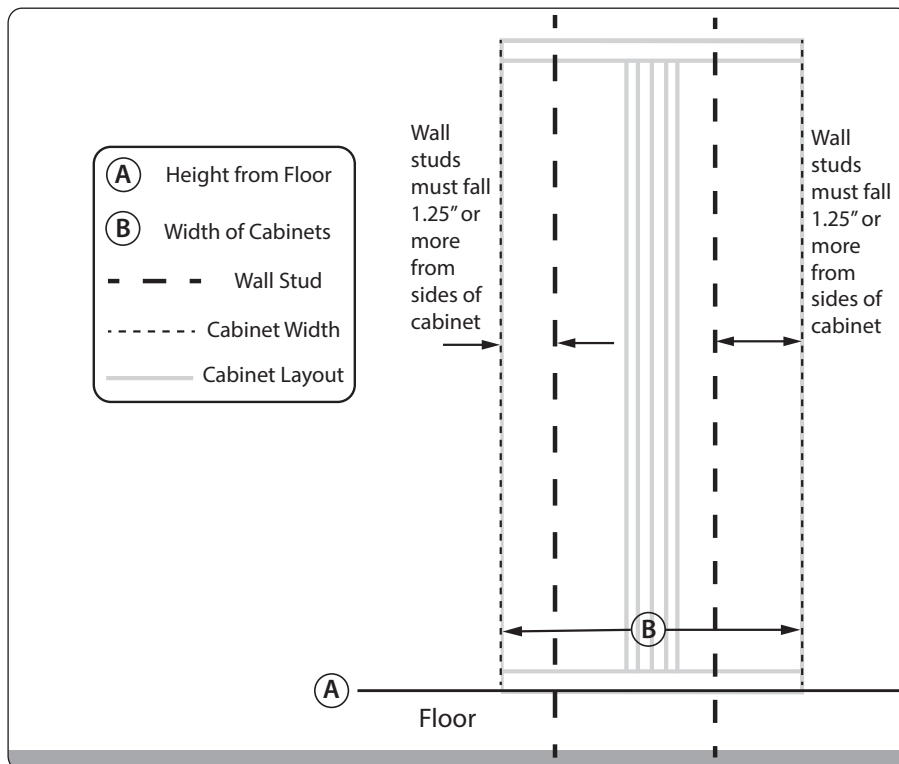
## **1** Use stud finder to locate the studs and mark the wall with a pencil.



## **2** Planning the general position of cabinets.

**Step A.** Determine the height off the ground you would like cabinet to be and make a horizontal mark at this position.

**Step B.** Next mark the width cabinet in the intended position and ensure the wall studs fall at least 1.25" in from the edge of the cabinets. This will ensure there is no interference with the edges of the cabinet and the wall bracket when hanging the cabinet on the wall.

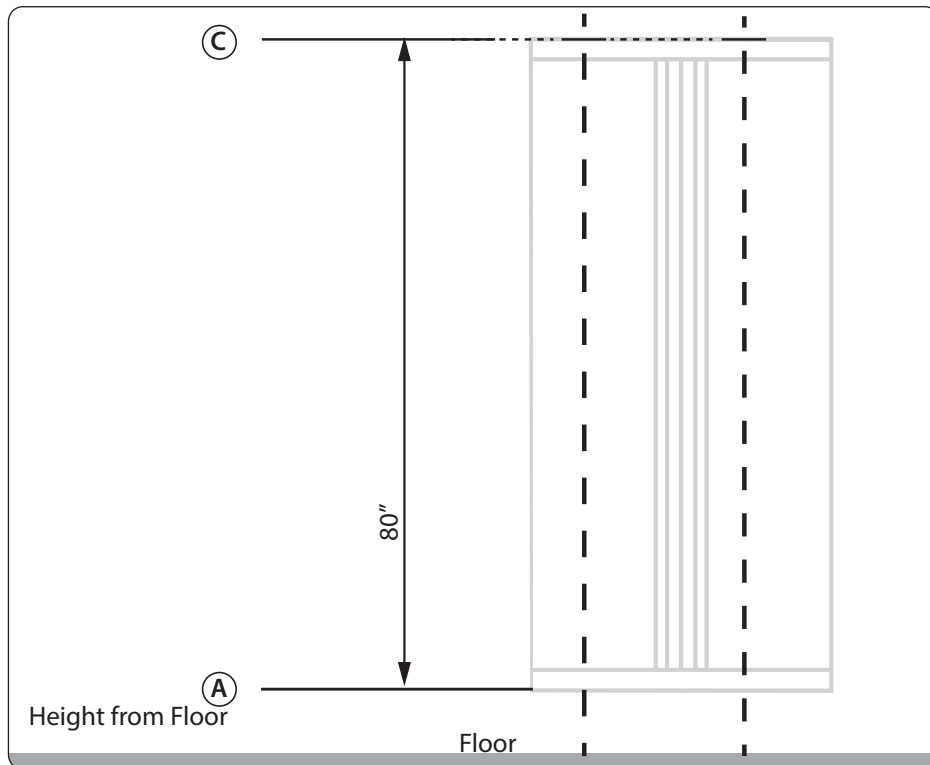


# Hanging Cabinets to Wall (Cont.)

## 3 Planning the general position of cabinets. (cont.)

**Step C.** Measuring up from the line marked in Step A, make a horizontal mark at the following heights where they intersect the wall stud marks to determine where the top of the cabinet will be (and where the hanging bracket will be installed).

Measure 80" vertically from base line and mark at stud locations.



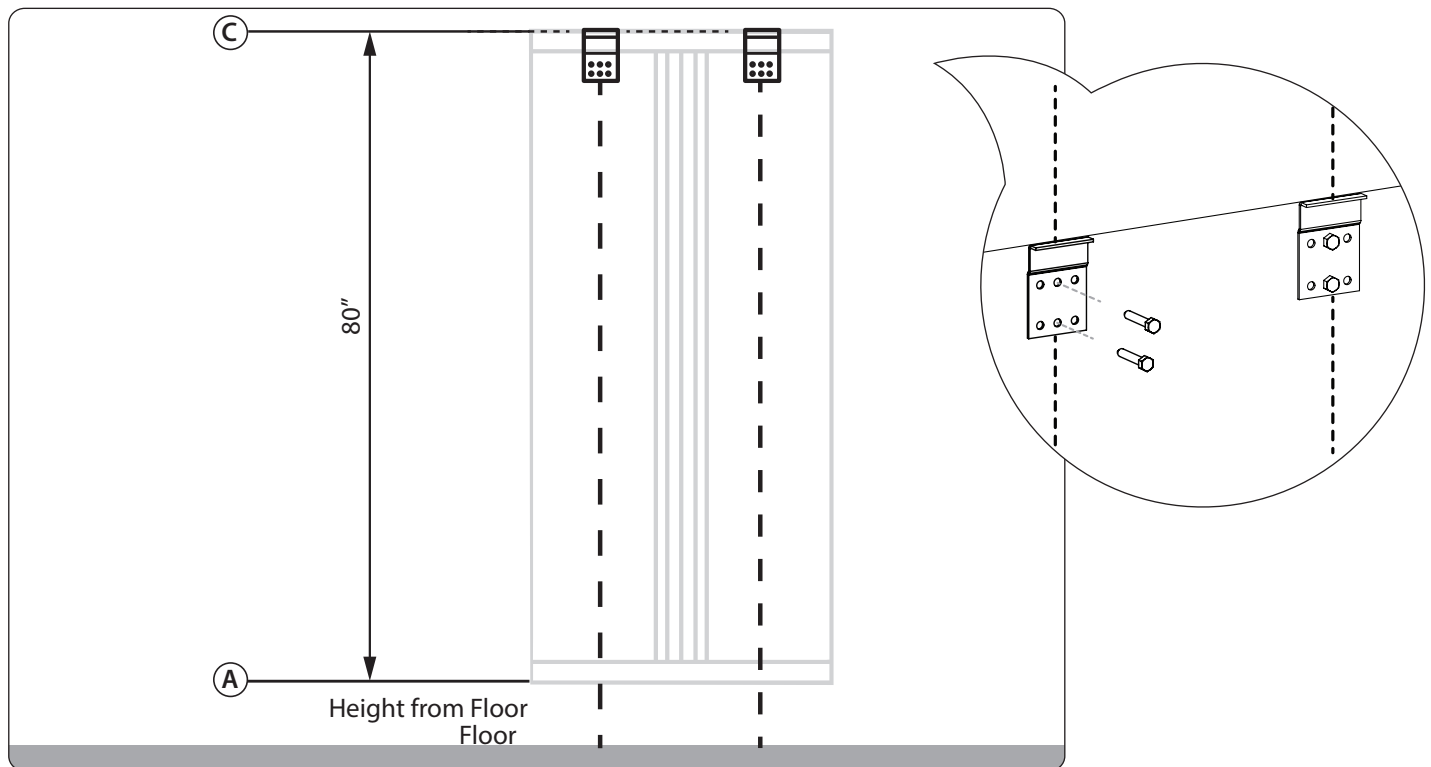
**Step D.** Ensure the cabinets will be at a suitable working height and that your wall cabinets are not out of reach.

# Hanging Cabinets to Wall (Cont.)

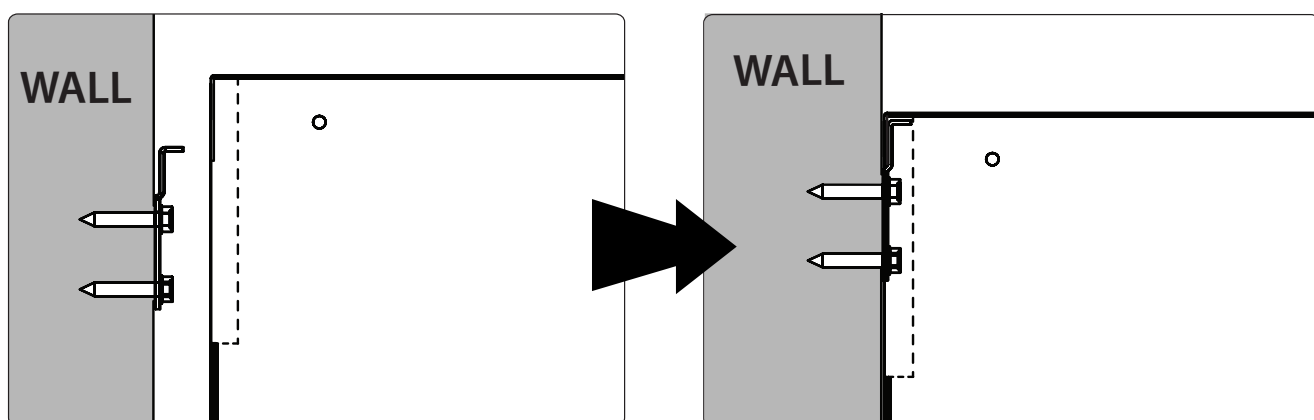
## 4 Hanging cabinets on wall.

Align the top of the wall hanging brackets with the lines marked for the position of the top of the cabinets (Step C) and attach the brackets securely into the studs using the supplied lag bolts and washers.

**Note:** It is possible to offset the bracket to one side or the other if the bracket is positioned close to the edge of the intended cabinet position by using the secondary hole positions on the bracket.



## 5 Lift cabinet into place over the brackets and flush with the wall, and lower into place.

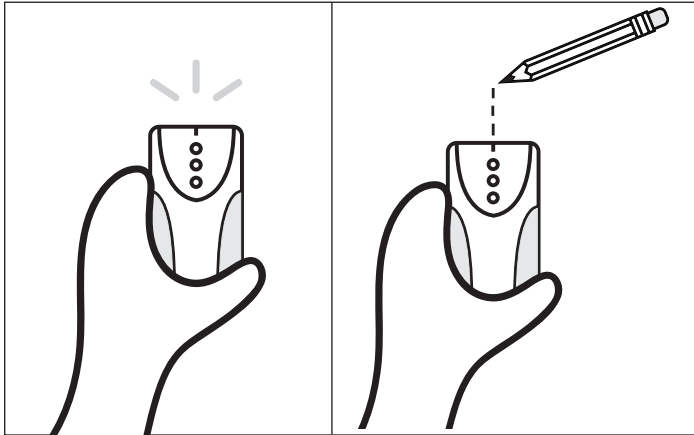




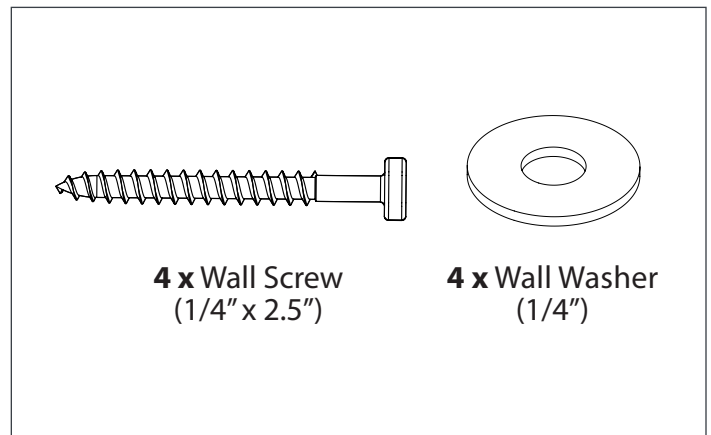
# Securing Cabinets to Wall

**Note:** Do not load cabinet without first securing to the wall. Wall brackets are not designed to support the weight of a loaded cabinet. Cabinets must be secured to the wall using supplied 1/4" x 2.5" lag screws.

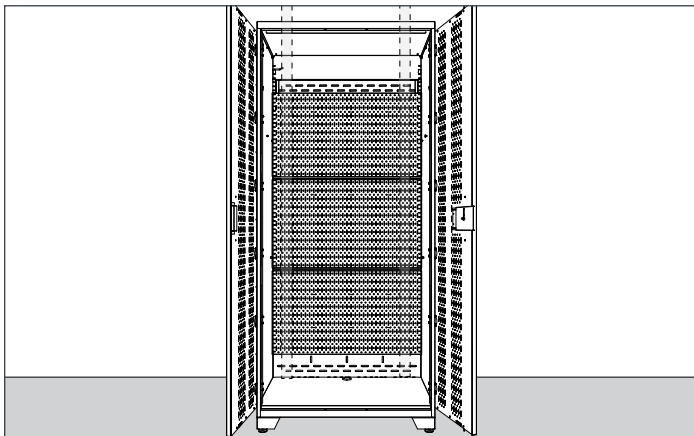
- 1** Use stud finder to locate the studs and mark the wall with a pencil.



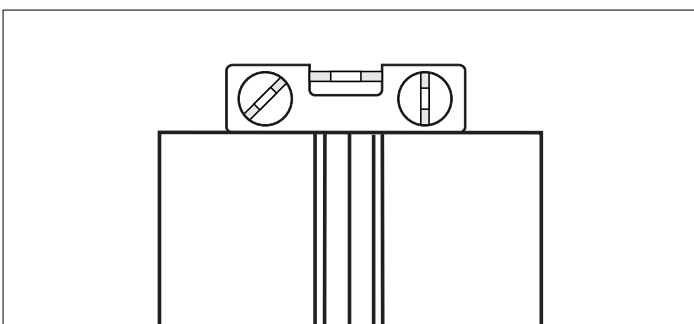
- 2** Gather parts.



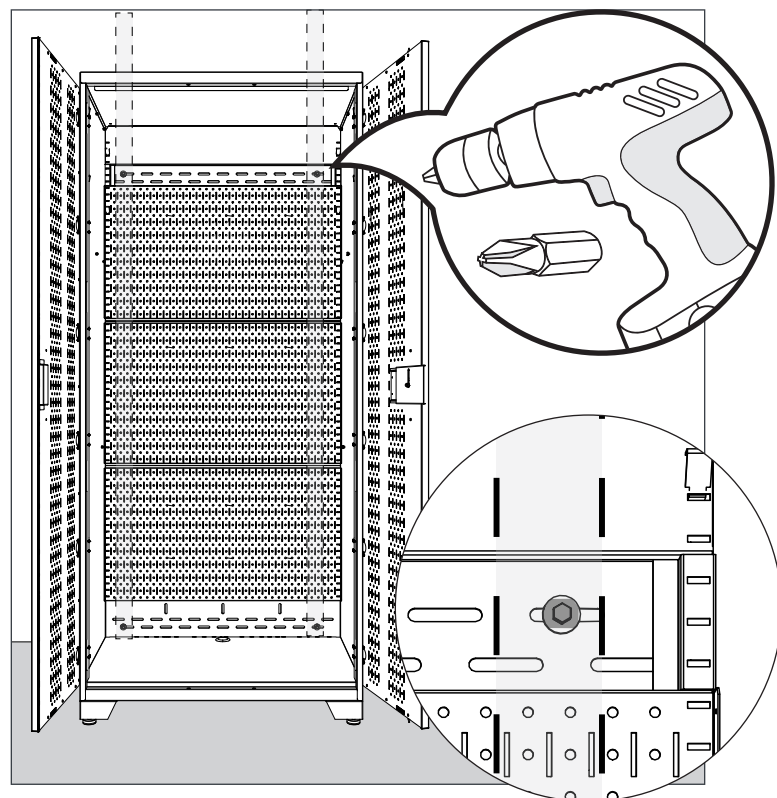
- 3** Place cabinet tight against the wall and Align cabinet to stud marks.



- 4** Level cabinet



- 5** Install 4 wall screws and washers through perforated holes into studs.

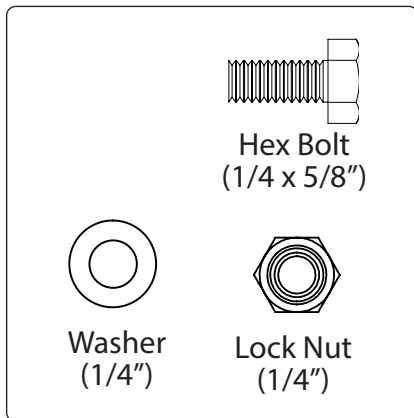


## **i** Masonry.

- Follow steps 3 to 4
- Drill 4 pilot holes through the perforated strip with hammer drill & masonry bit.
- Use 4 x (2 1/4" x 1/4") Tapcon Concrete Anchor into wall. (Not Included)
- OR 4 x (#10 x 2") Screw with 3/16" masonry plug into wall. (Not Included)
- Follow step 5

# Fastening Cabinets

## **i** Parts Needed.

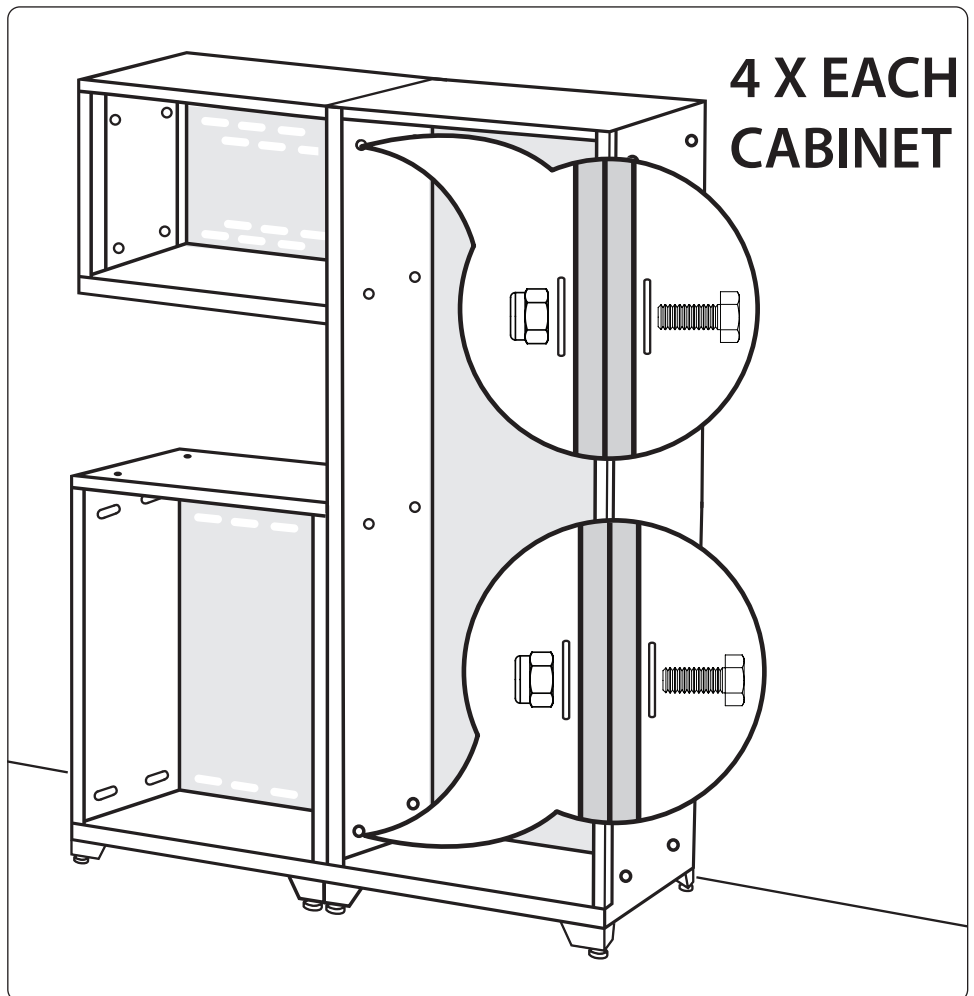


### **Note:**

Remove all drawers before fastening cabinets.

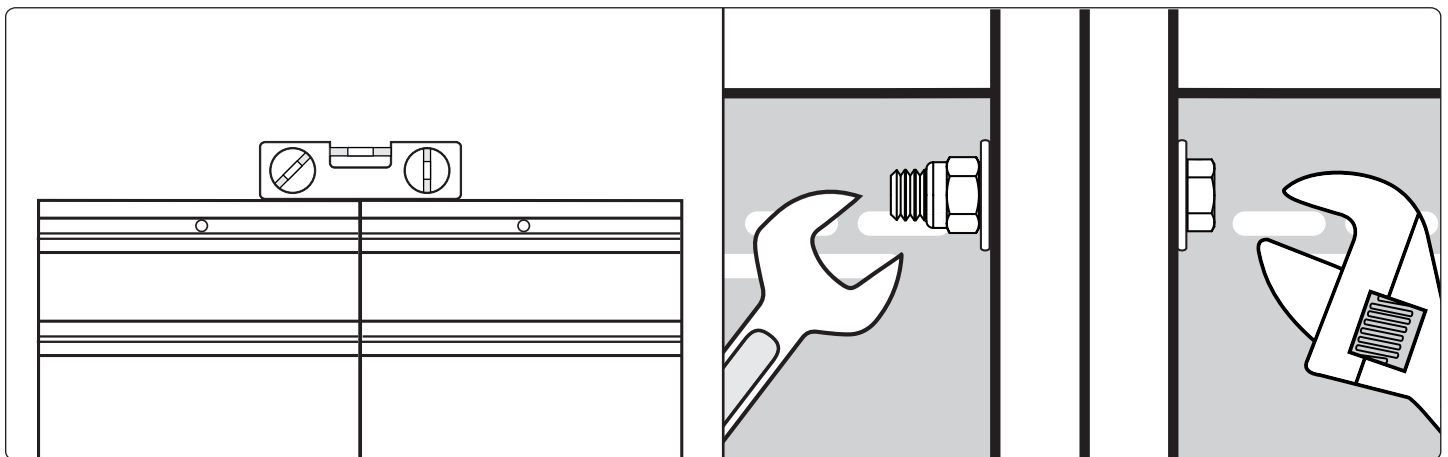
**Bolt each subsequent cabinet to the previous one using the supplied 1/4" x 5/8" hex bolts and lock nuts provided in each base and wall cabinet.**

## **1** Align bolts, tighten lightly.



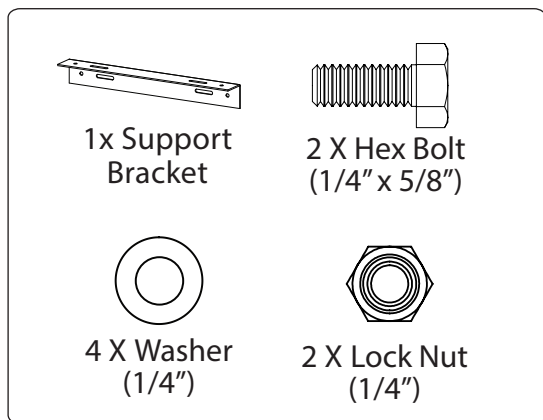
**WARNING: Wall brackets are not designed to support the weight of a loaded cabinet. Cabinets must be secured to the wall using supplied 1/4" x 2.5" lag screws.**

## **2** Level cabinets and tighten all bolts.

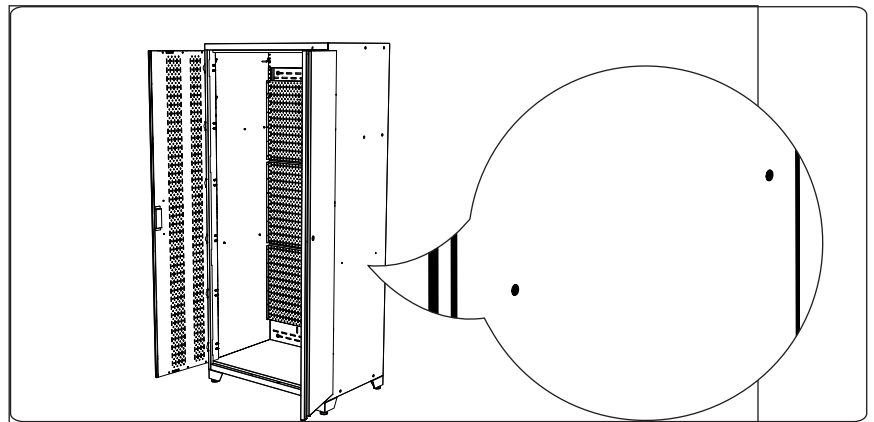


# Installing Worktop Side Support Bracket

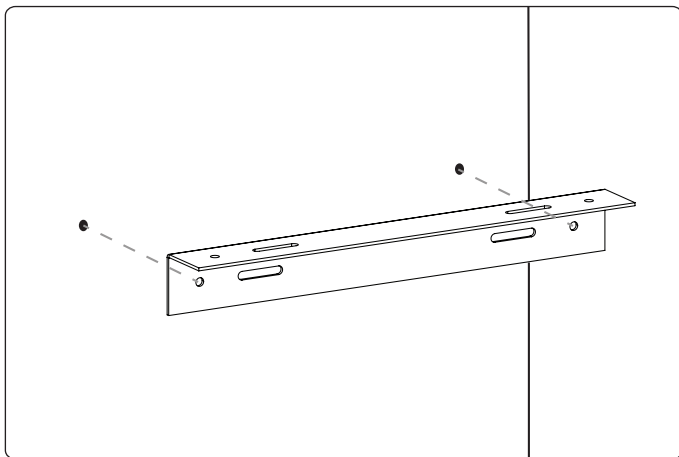
## **i** Parts Needed.



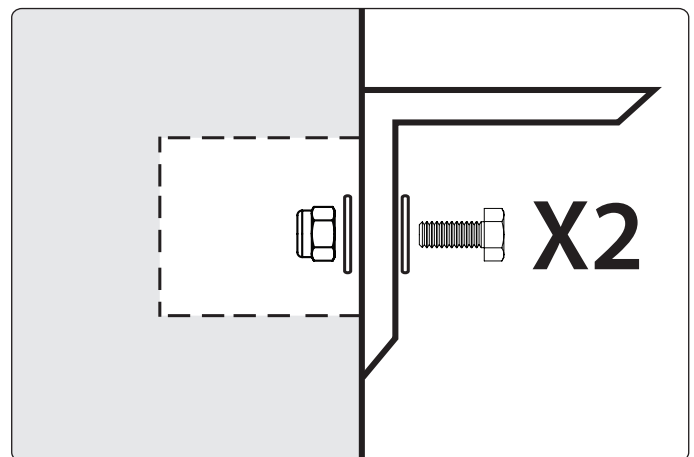
## **1** Open locker and locate holes on either side.



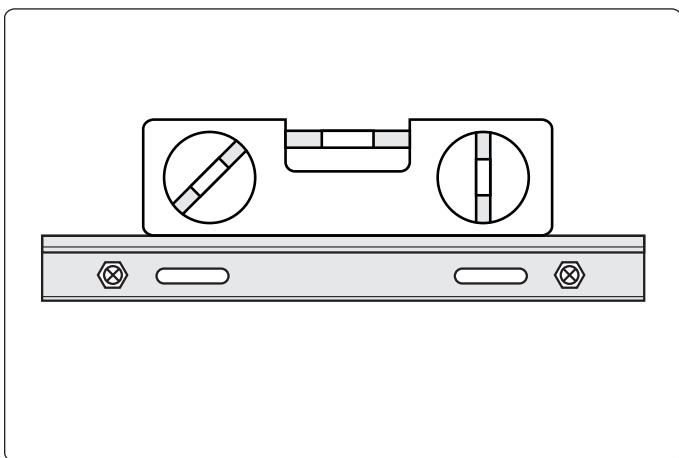
## **2** Align bracket.



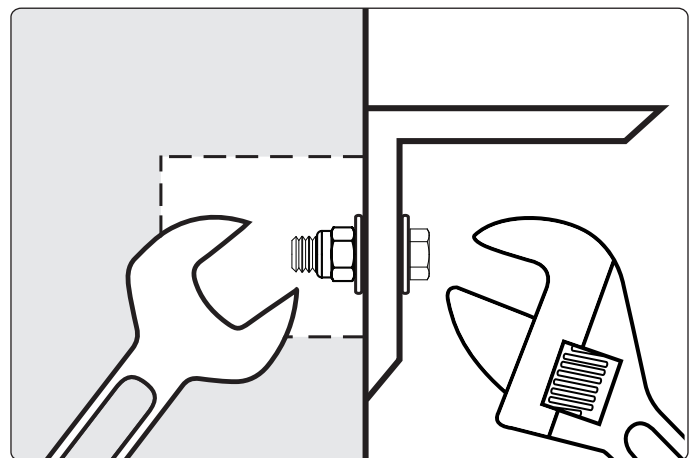
## **3** Fasten nuts, bolts, and lock washers.



## **5** Level bracket and ensure it is at the same height as the base cabinet.

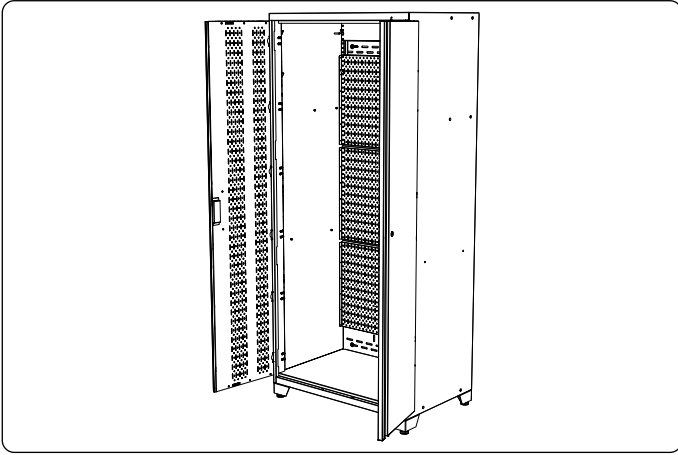


## **4** Tighten nuts & bolts.

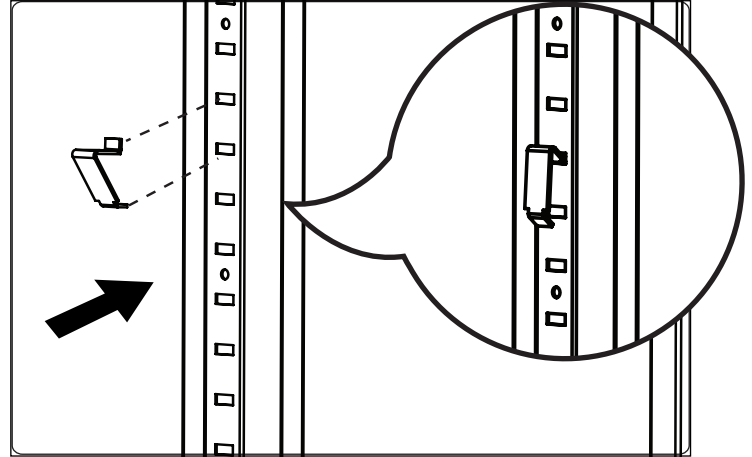


# Inserting Locker Utility Rod and Hangers

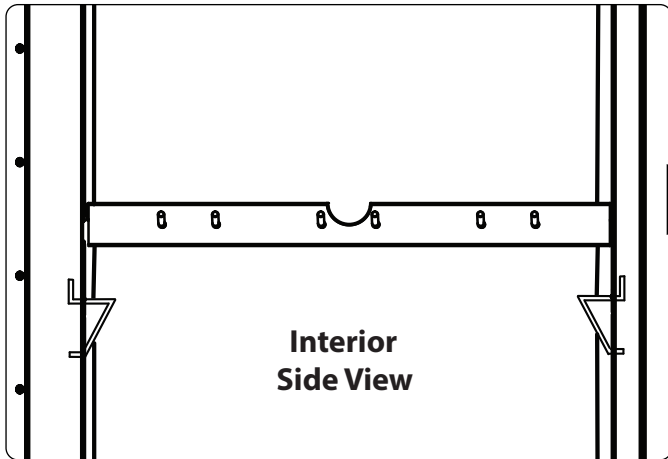
**1** Open cabinet Doors.



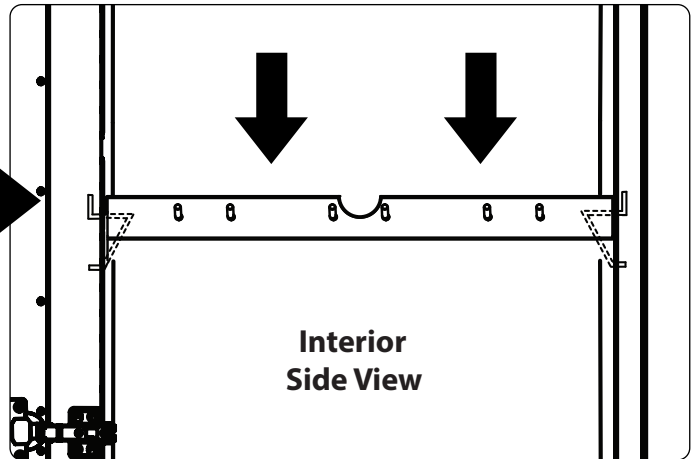
**2** Insert shelf clip on slight angle and rotate to level position



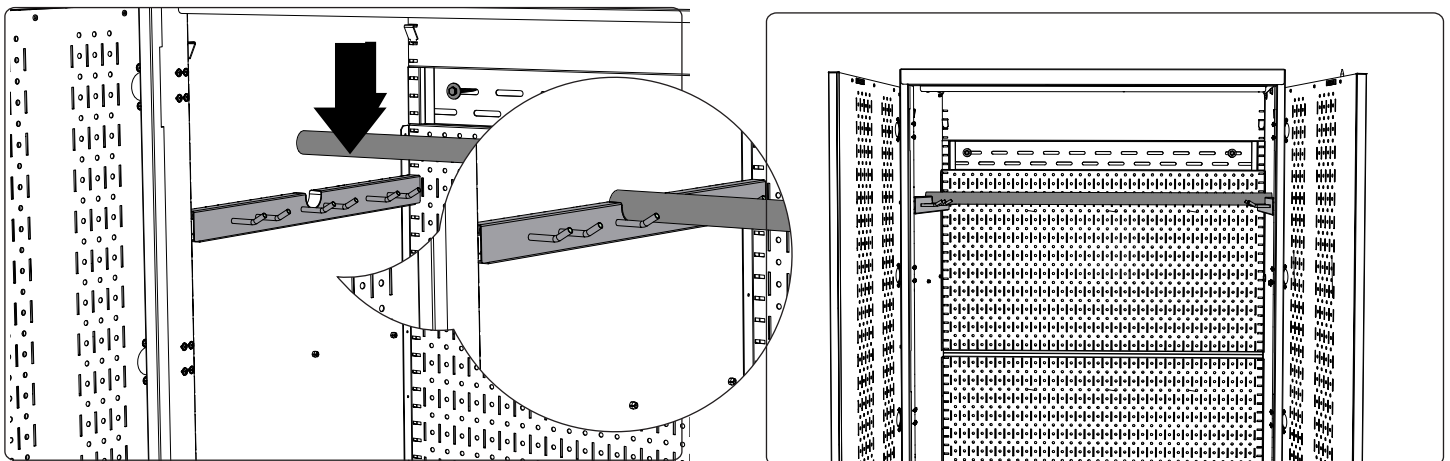
**3** Place hanger against locker wall above supports.



**4** Ensure rear flange slides down behind clips and that the bracket is secure.

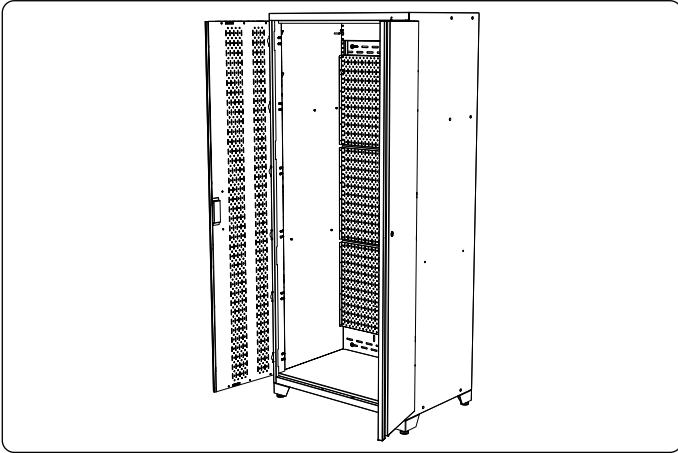


**5** Lower rod into cradle.

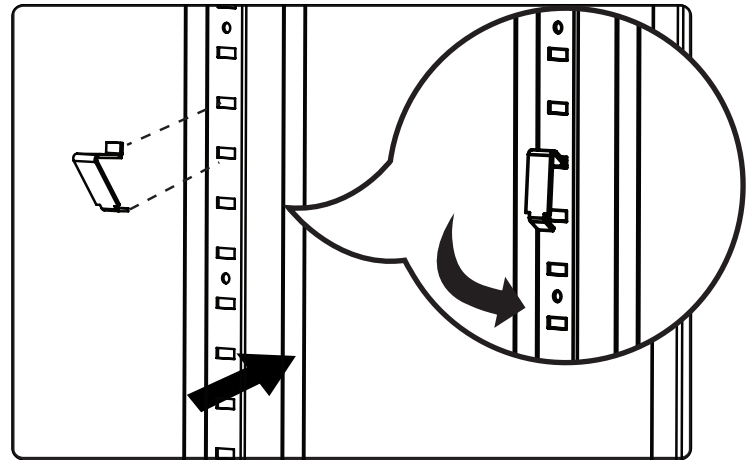


# Inserting Cabinet Shelf

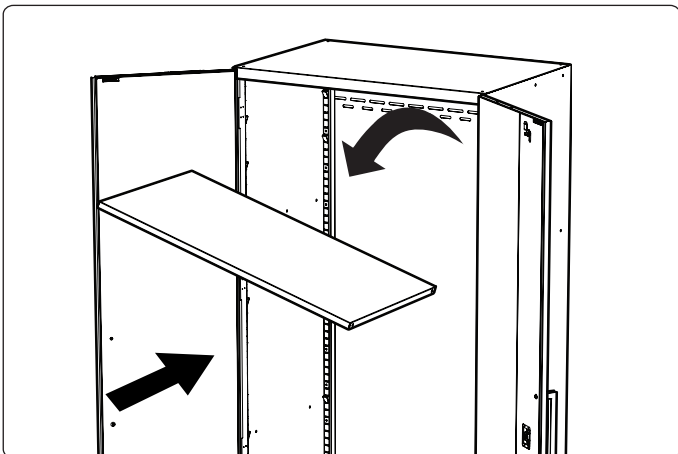
- 1** Make sure the cabinet is secured to the wall.



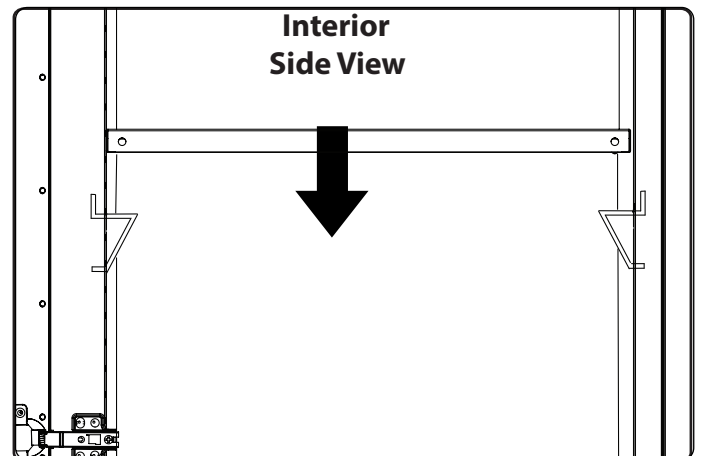
- 2** Insert shelf clip on slight angle and rotate to level position.



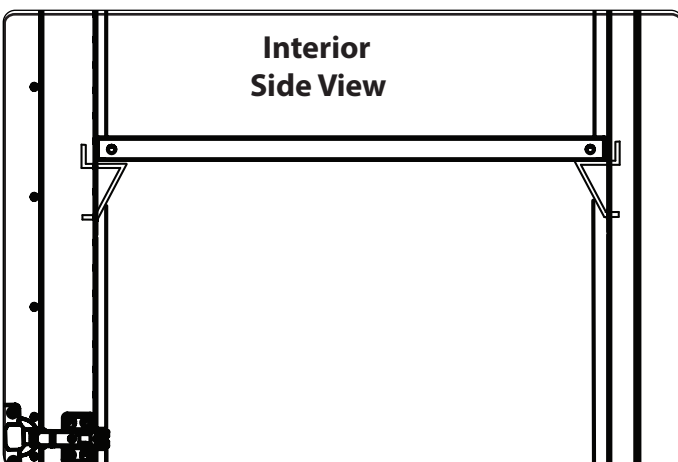
- 3** Insert shelf on a angle and rotate to level position.



- 4** Lower shelf onto supports.

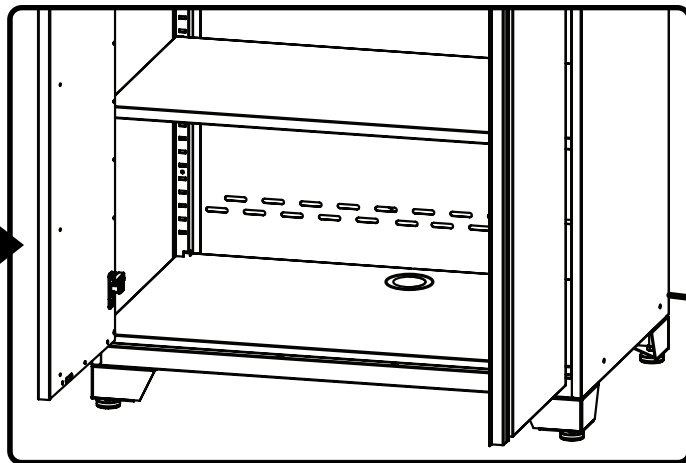
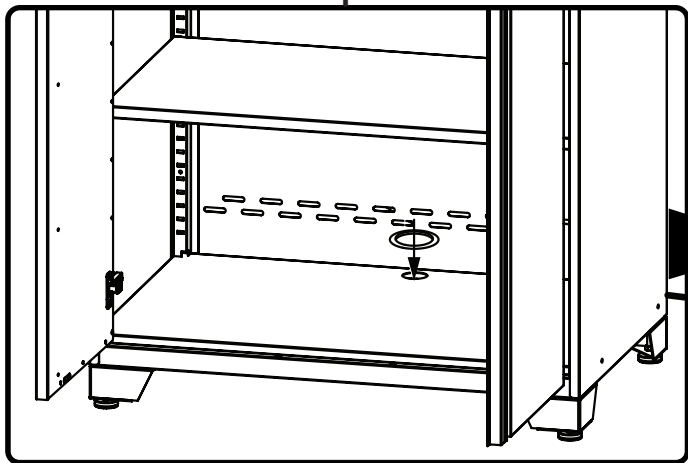


- 5** Rest shelf on supports.

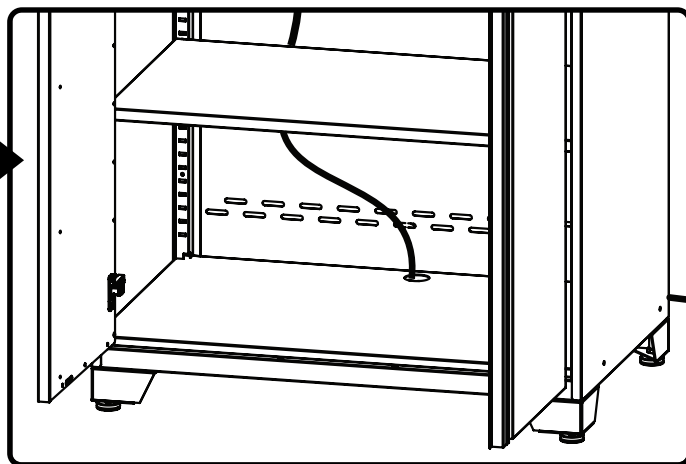
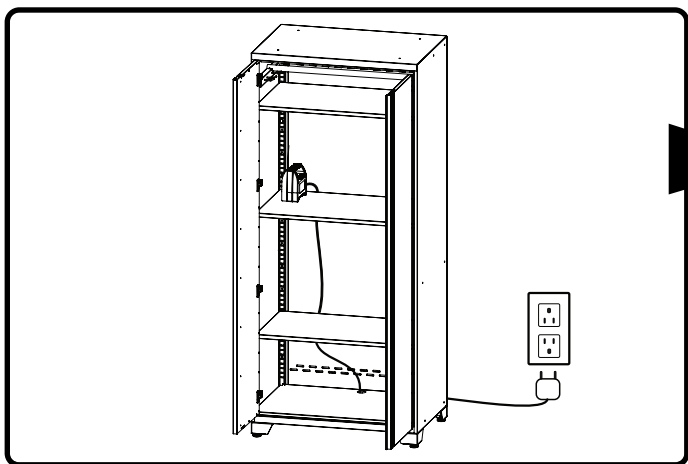


# Utility Access

- 1** Insert rubber grommet into cut-out hole in bottom panel.

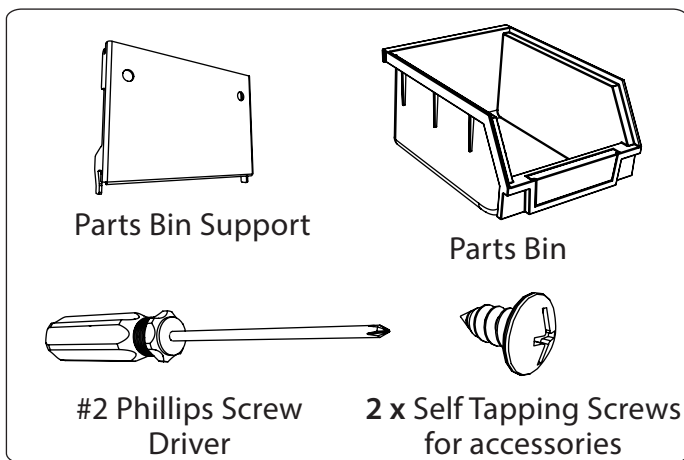


- 2** Utility hole allows easy access to electrical outlet

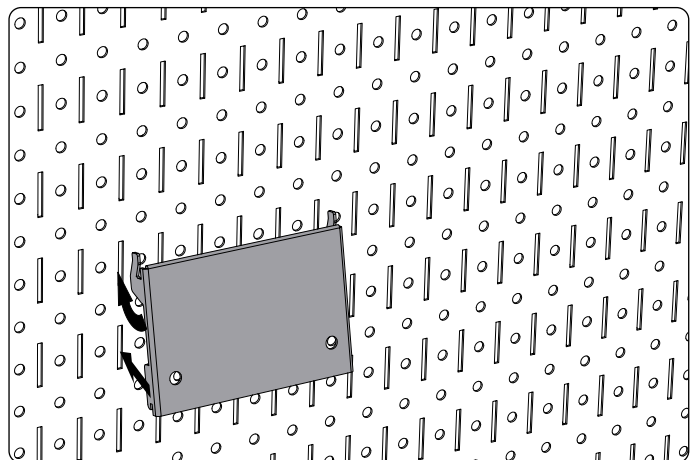


# Installing Accessories - Parts Bin & Support

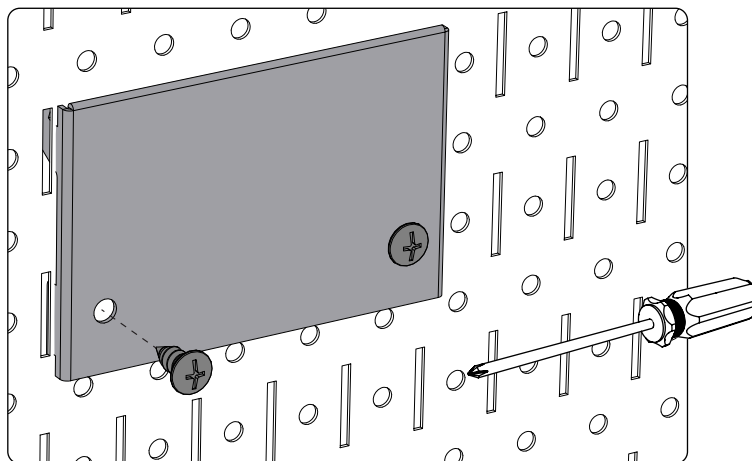
## **i** Parts and Tools Needed.



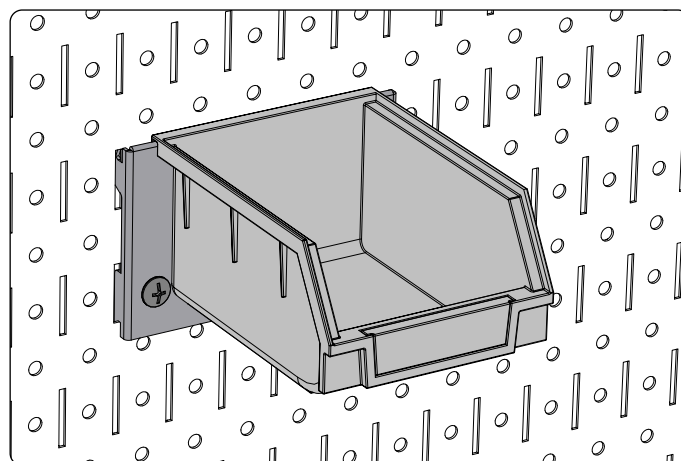
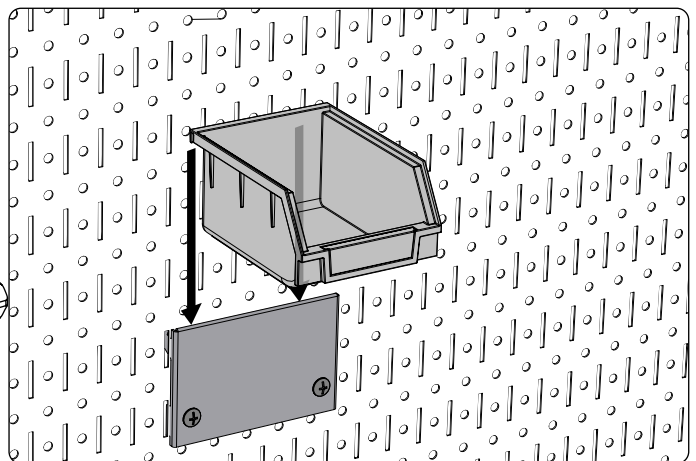
## **1** Install the support in the provided slots.



## **2** Using 2 self tapping screws, carefully secure the support against the door / back panel.



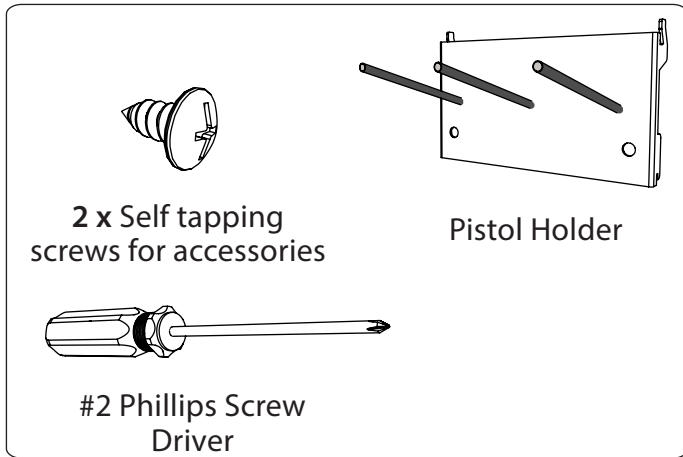
## **3** Install the part bin on top of the support.



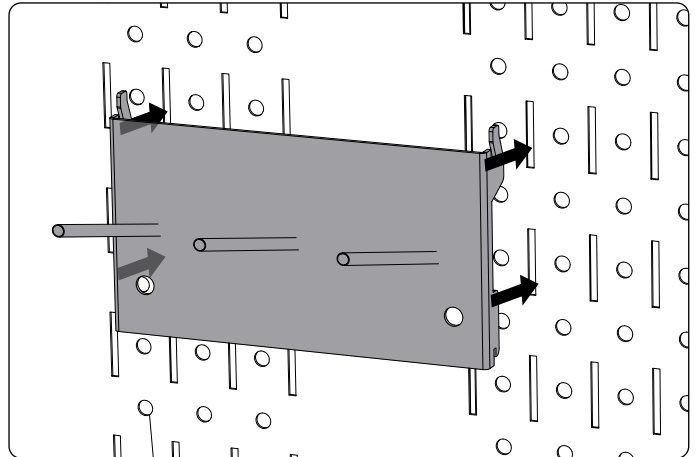
# Installing Accessories - Pistol Holder

**NOTE:** Pistol holder can hold 9mm hand guns

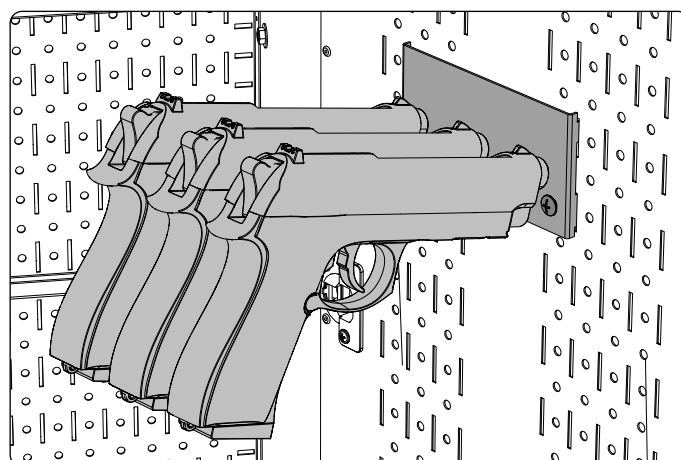
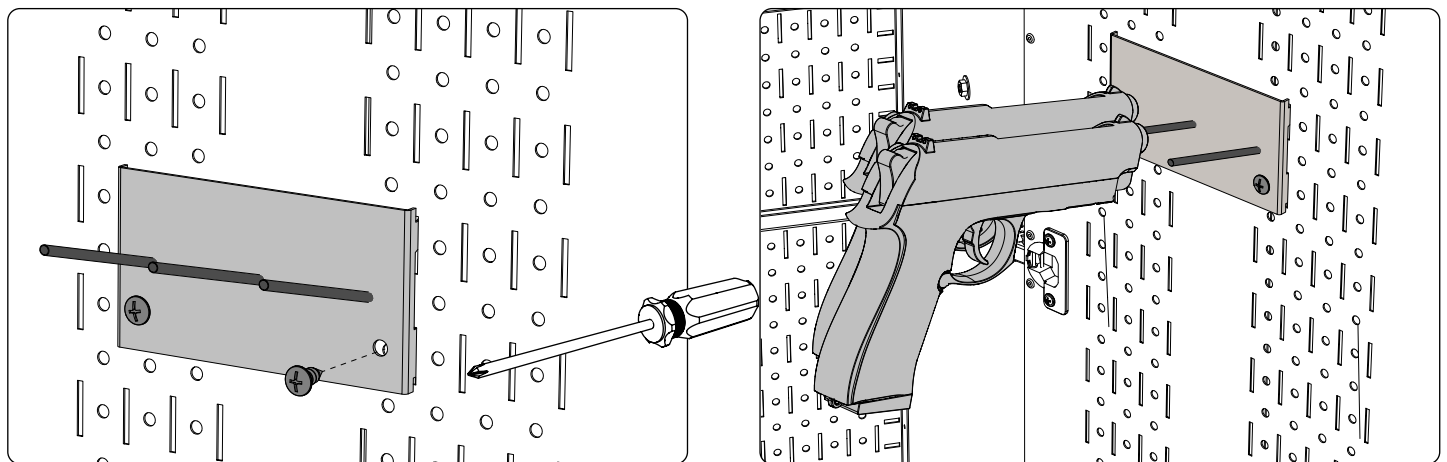
## **i** Parts and Tools Needed.



## **1** Install the support in the provided slots.



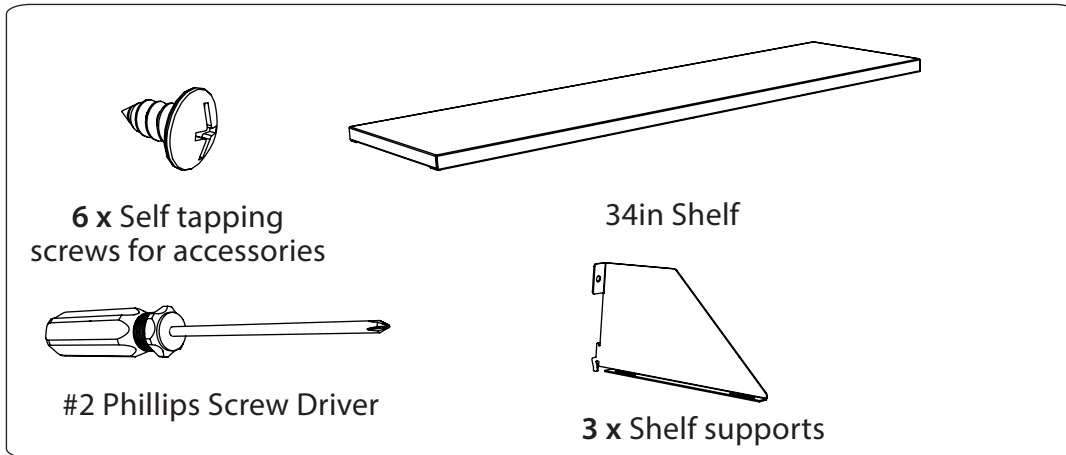
## **2** Using 2 self tapping screws, carefully secure the support against the door / back panel.



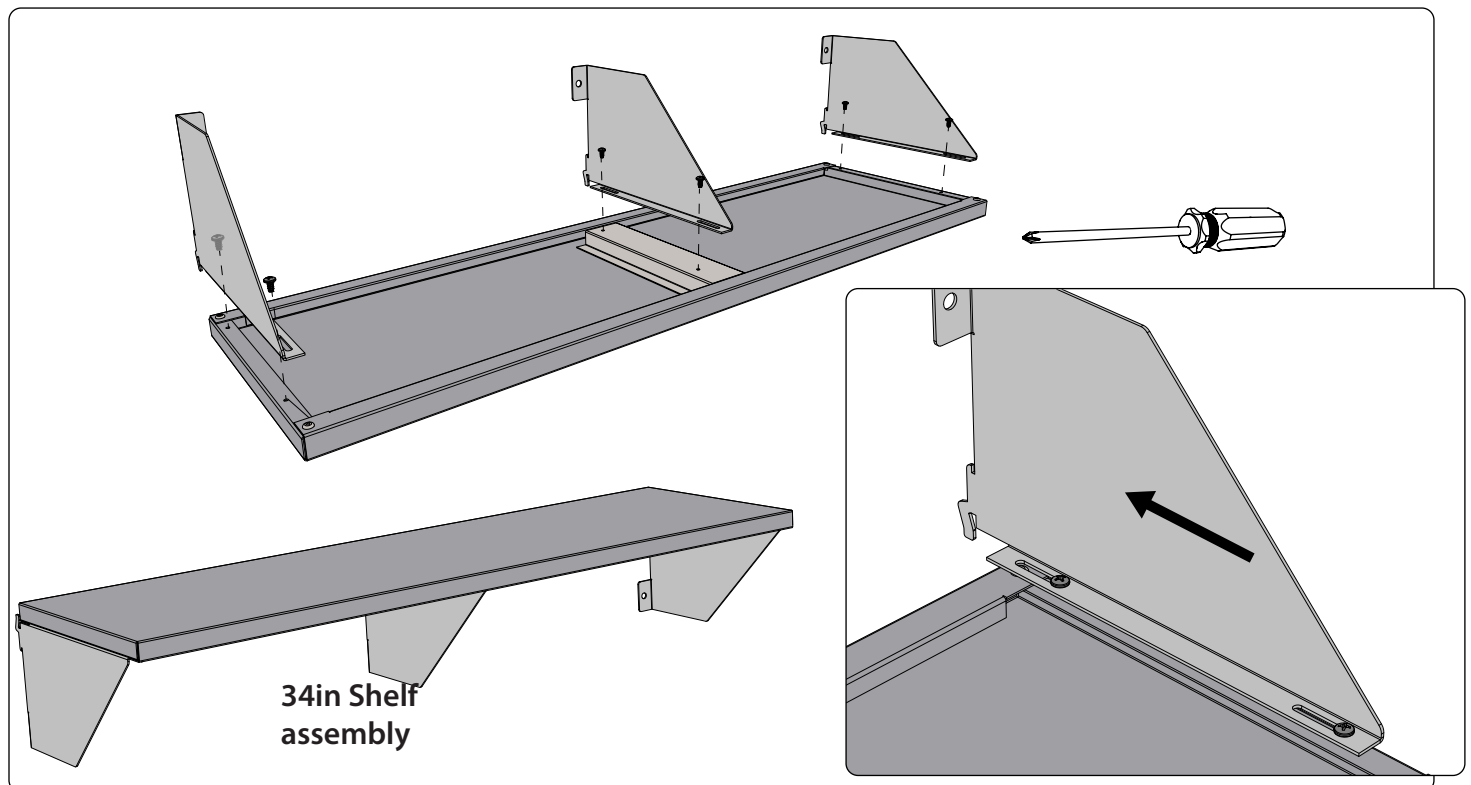


# Installing Accessories - 34in Shelf

## Parts and Tools Needed.

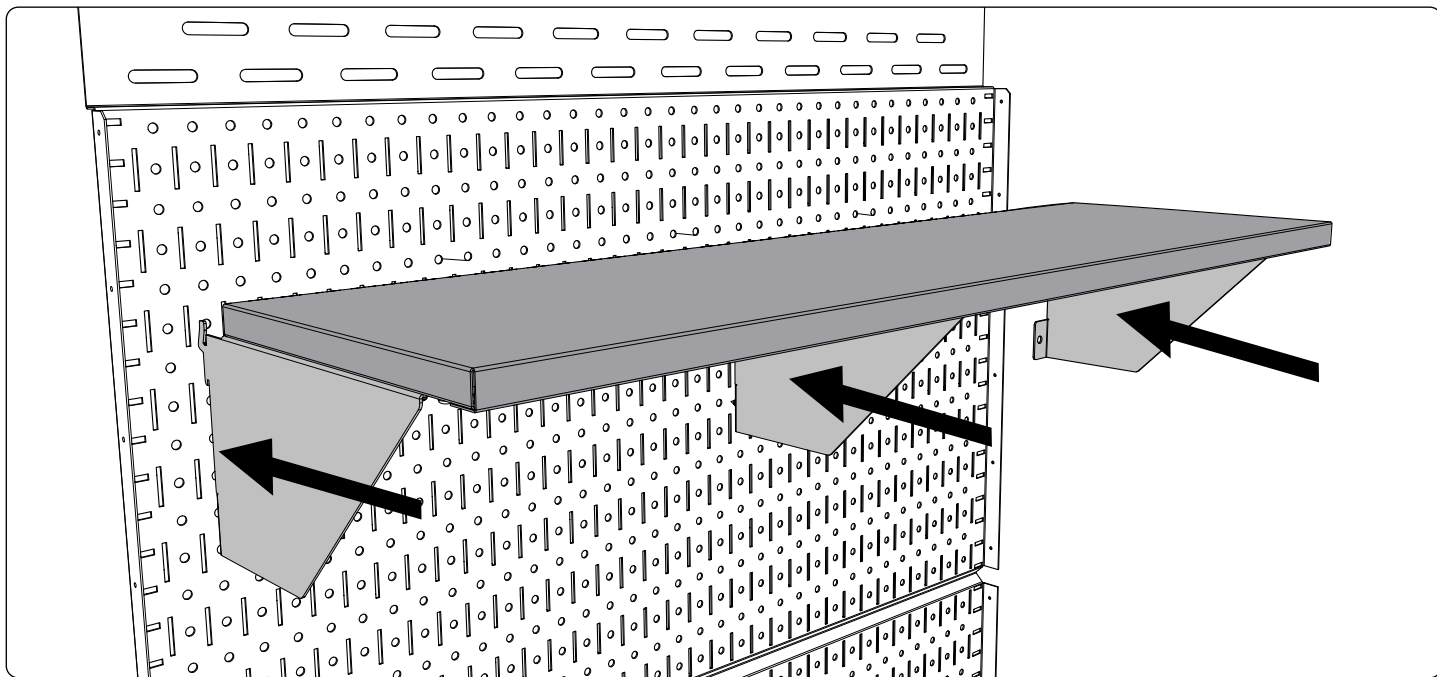


- 1** Flip the Shelf and attach the shelf supports using self tapping screws. Loosely install the self tapping screws and make sure to slide all the supports towards back as shown below.

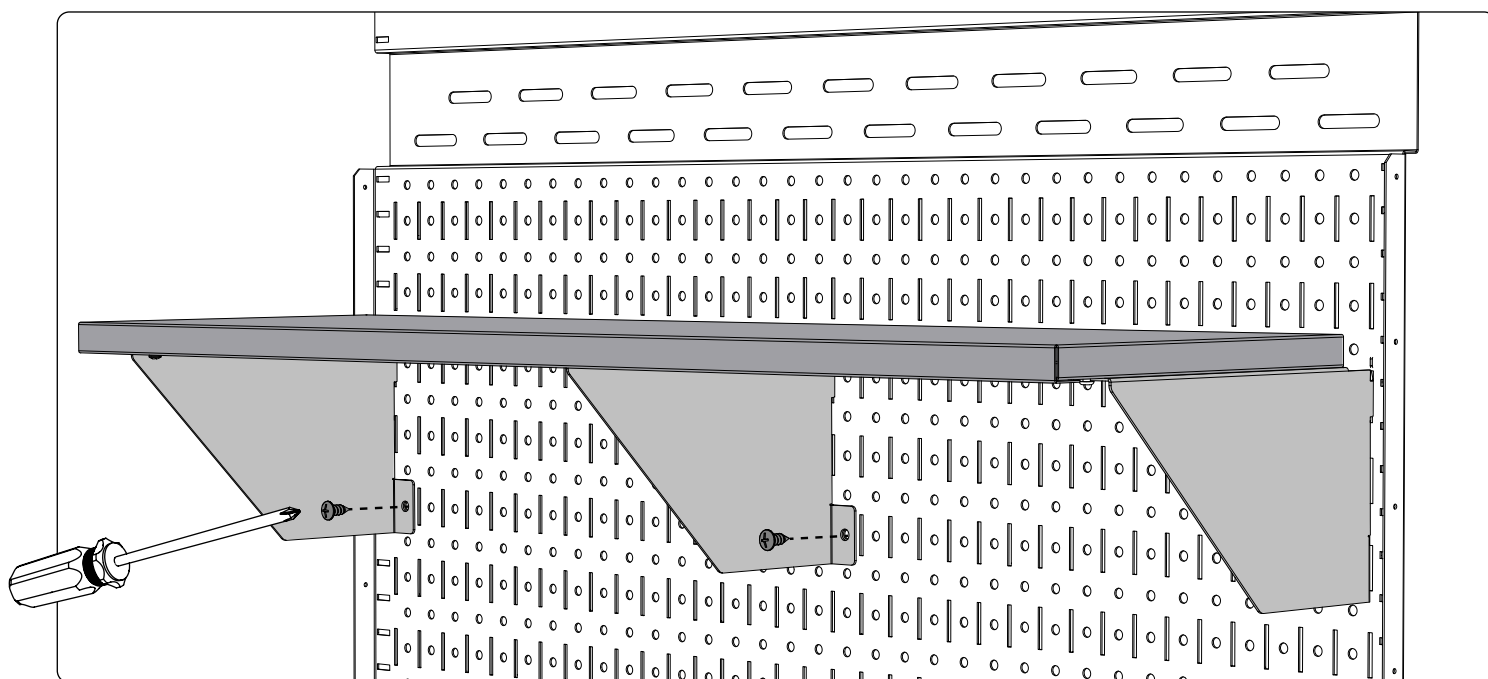


# Installing Accessories - 34in Shelf

- 2** Install the shelf assembly on to the back panel of the cabinet in the provided slots.

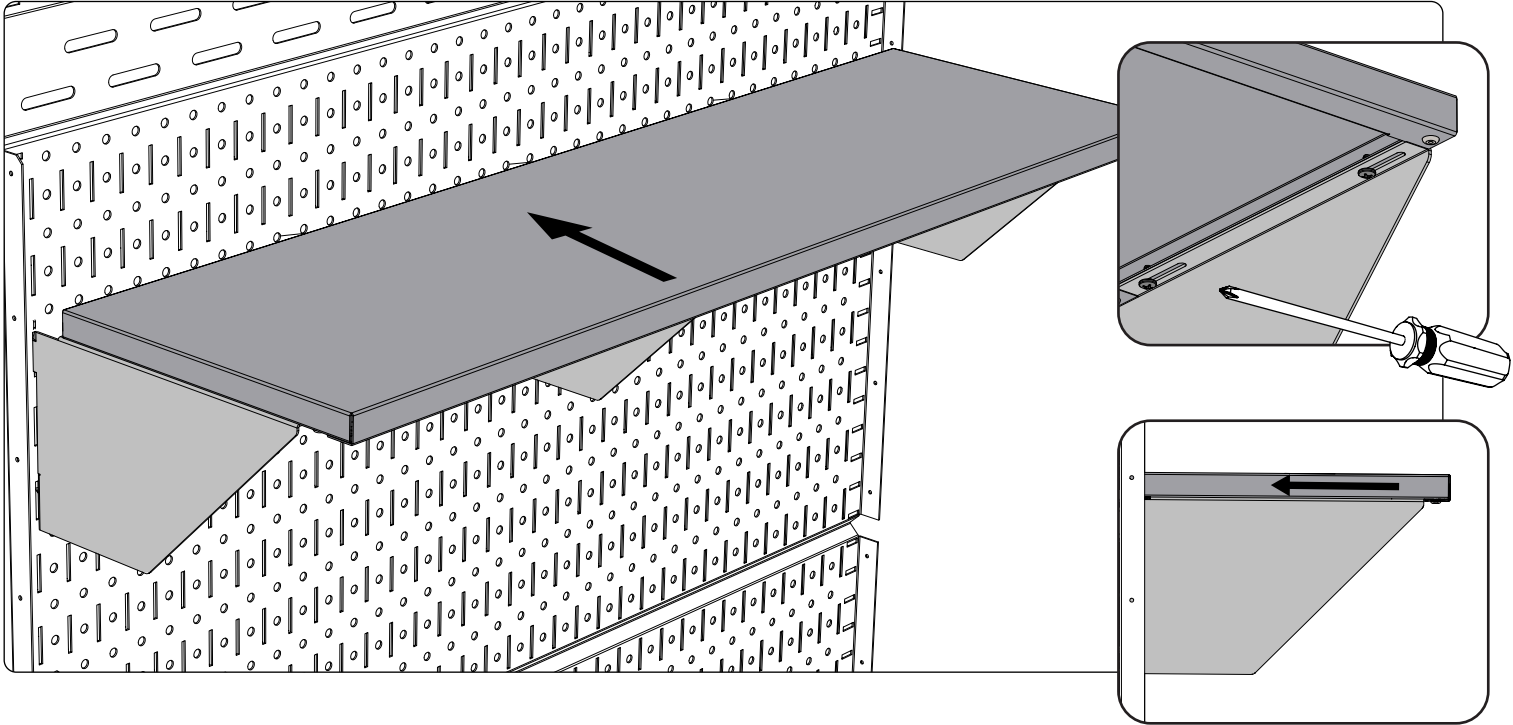


- 3** Using self tapping screws, carefully secure the support against the back panel of the cabinet.



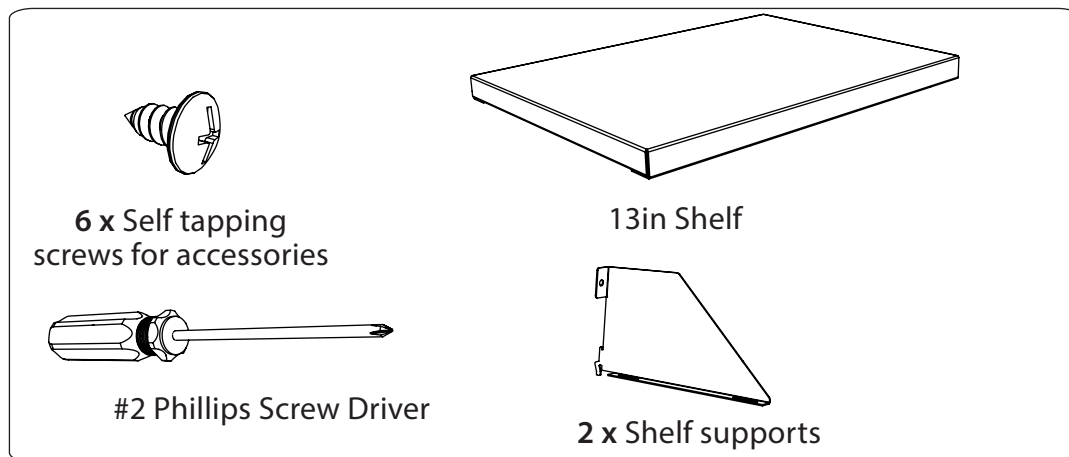
# Installing Accessories - 34in Shelf

- 4 Slide the shelf towards the back panel and tighten the self tapping screws.

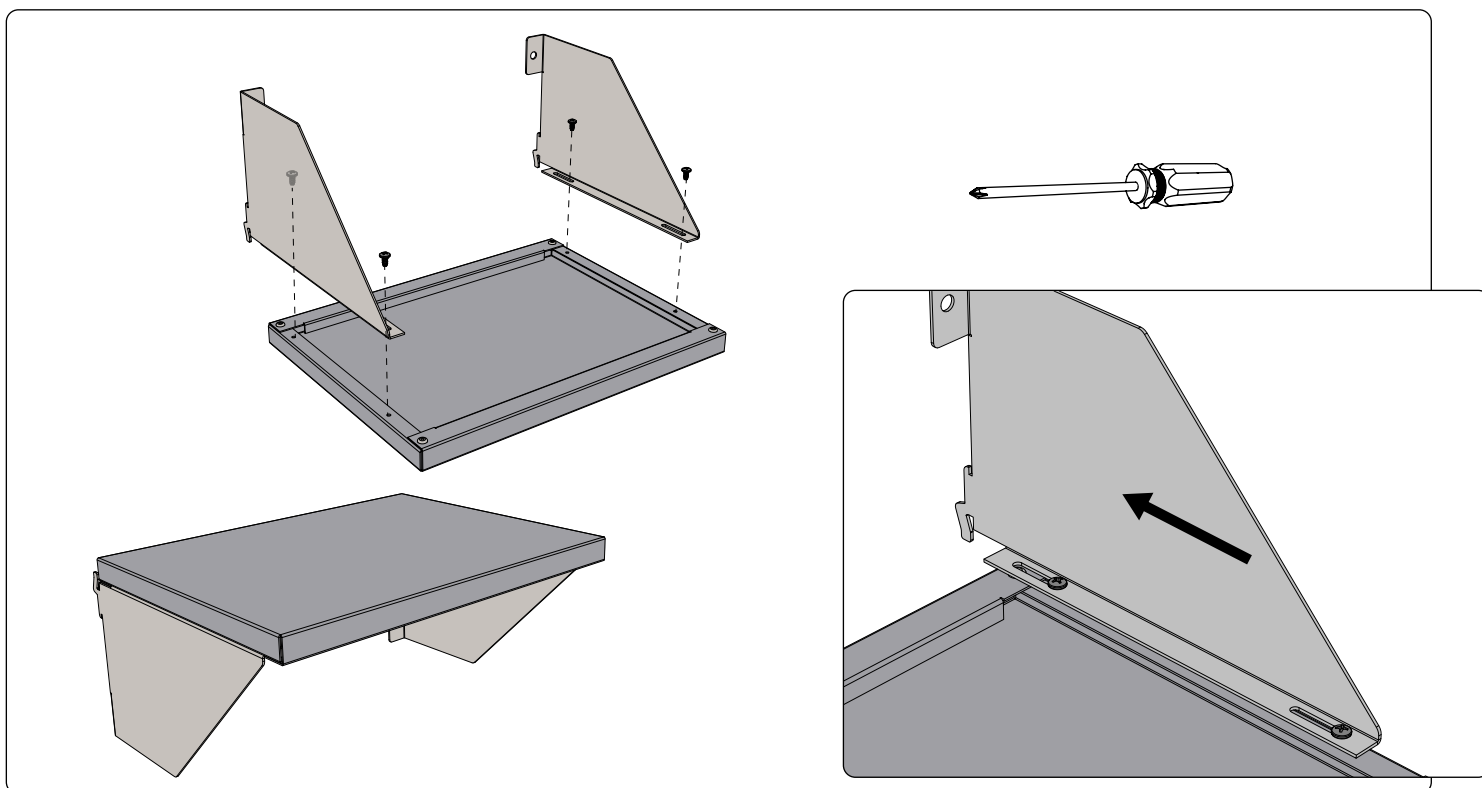


# Installing Accessories - 13in Shelf

**i** Pièces et outils requis.

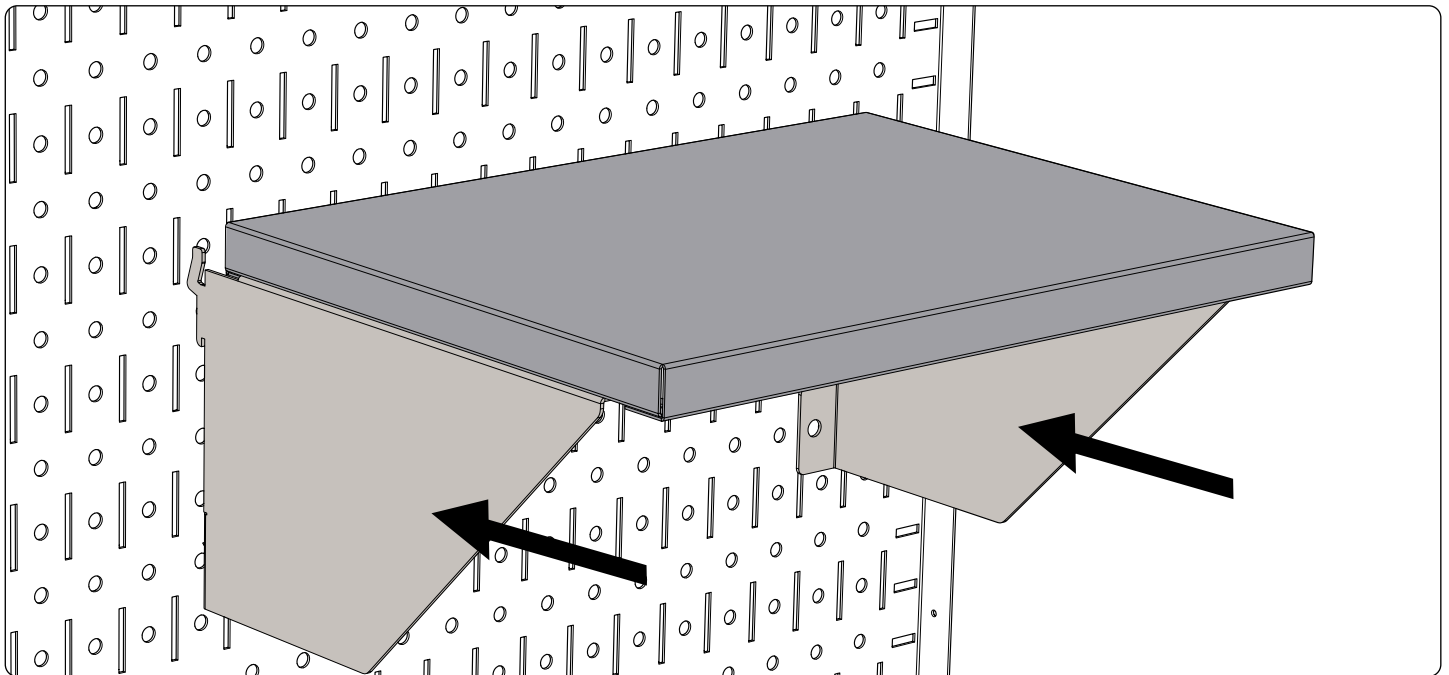


**1** Flip the Shelf and attach the shelf supports using self tapping screws. Loosely install the self tapping screws and make sure to slide all the supports towards back as shown below.

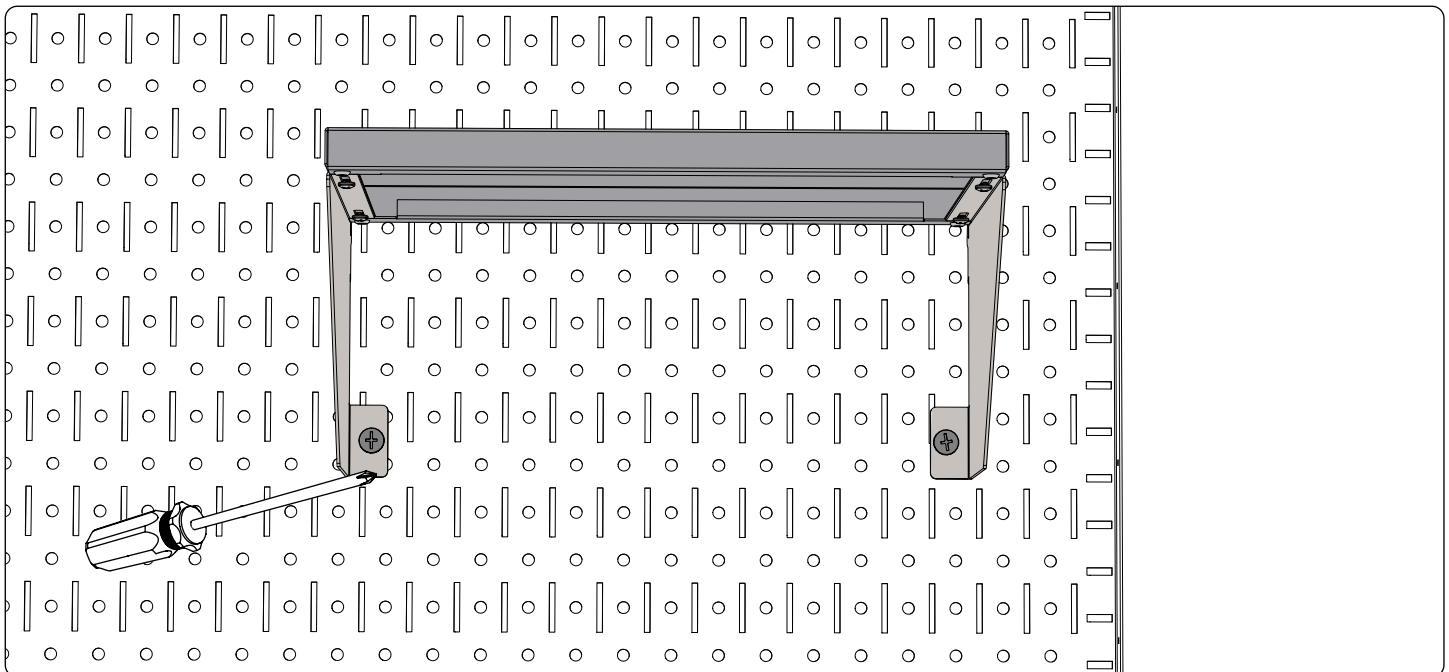


# Installing Accessories - 13in Shelf

- 2** Install the shelf assembly on to the back panel of the cabinet in the provided slots.

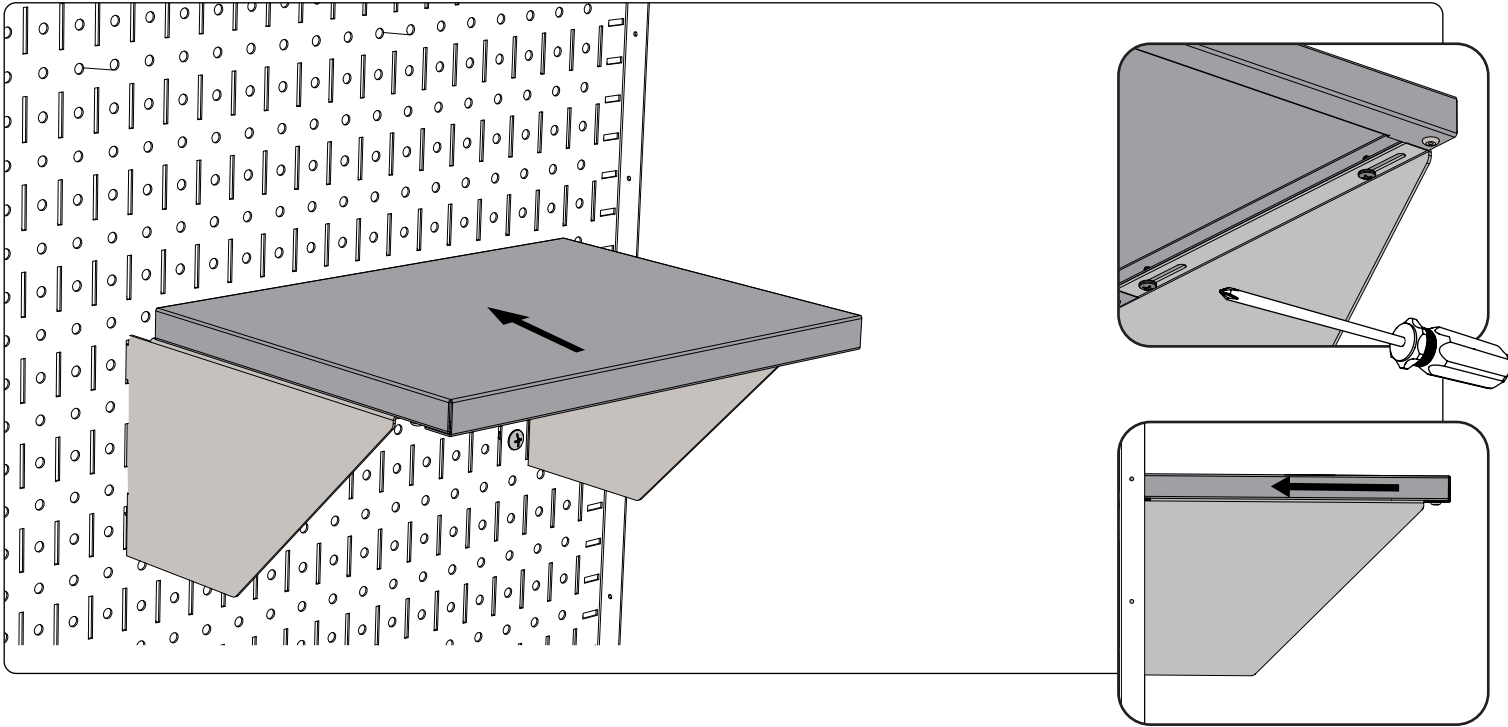


- 3** Using self tapping screws, carefully secure the support against the back panel of the cabinet.



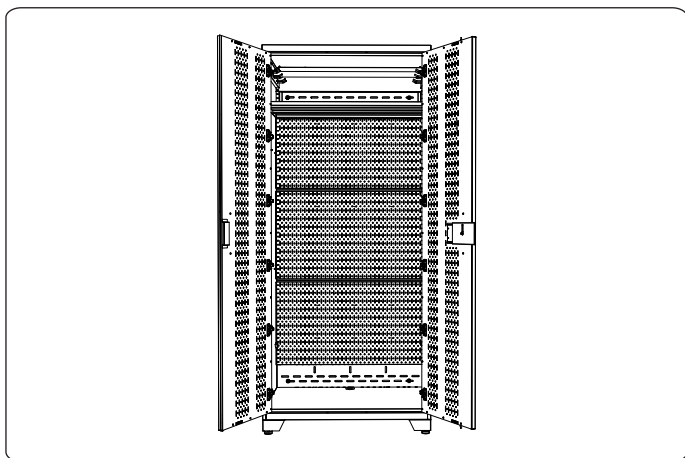
# Installing Accessories - 13in Shelf

- 4 Slide the shelf towards the back panel and tighten the self tapping screws.

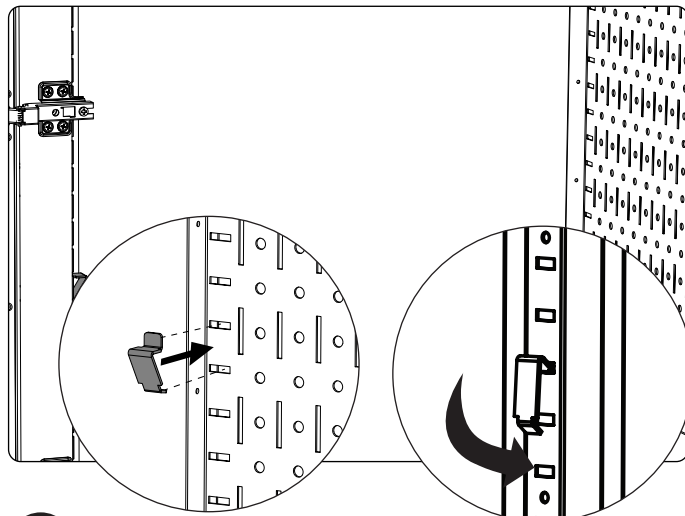


# Installing Accessories - Stock Shelf

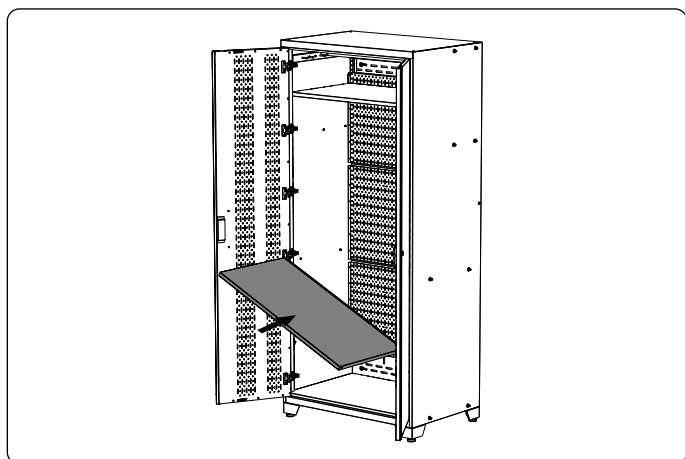
- 1** Open the Cabinet doors



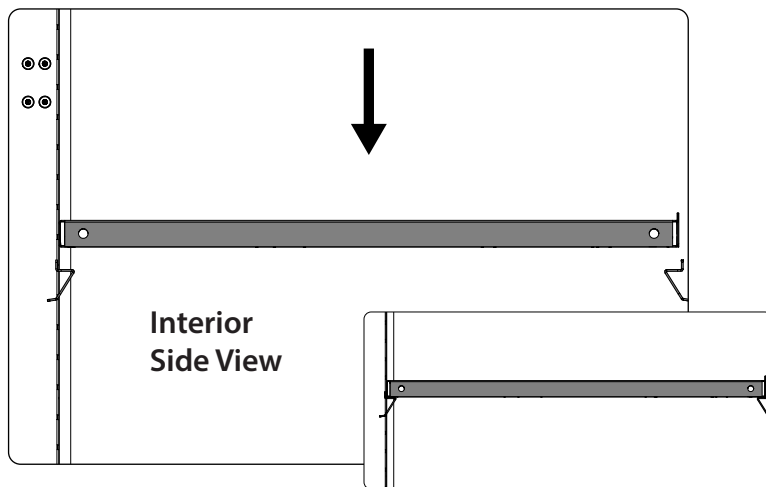
- 2** Insert shelf clip on slight angle and rotate to level position.



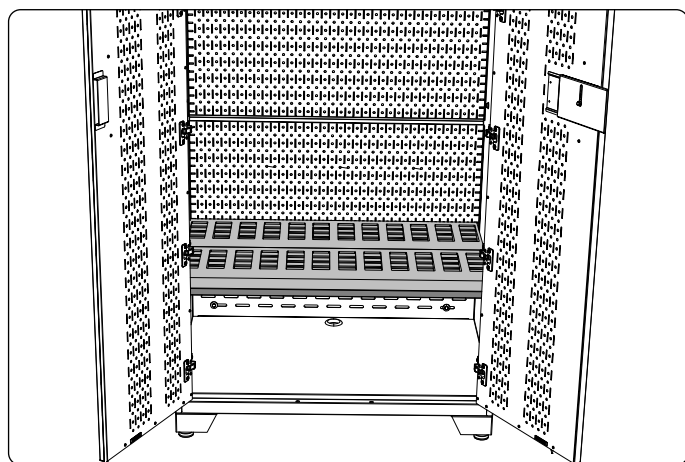
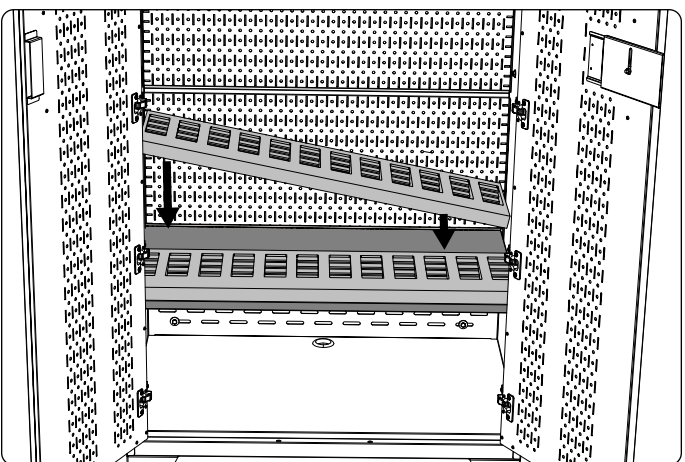
- 3** Insert Stock shelf on a angle and rotate to level position.



- 4** Lower stock shelf and rest it onto supports.

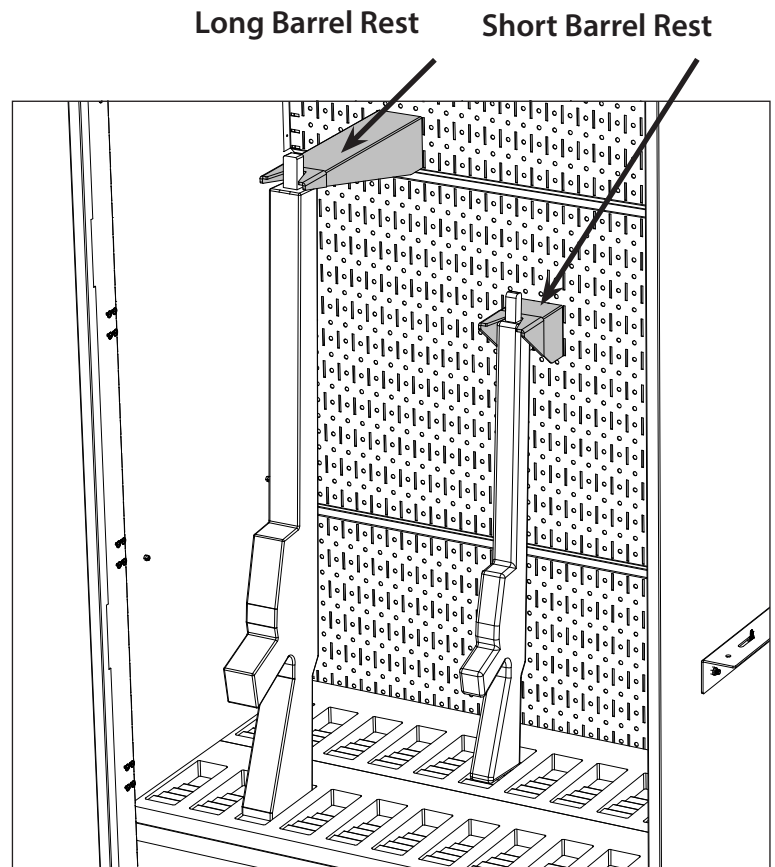
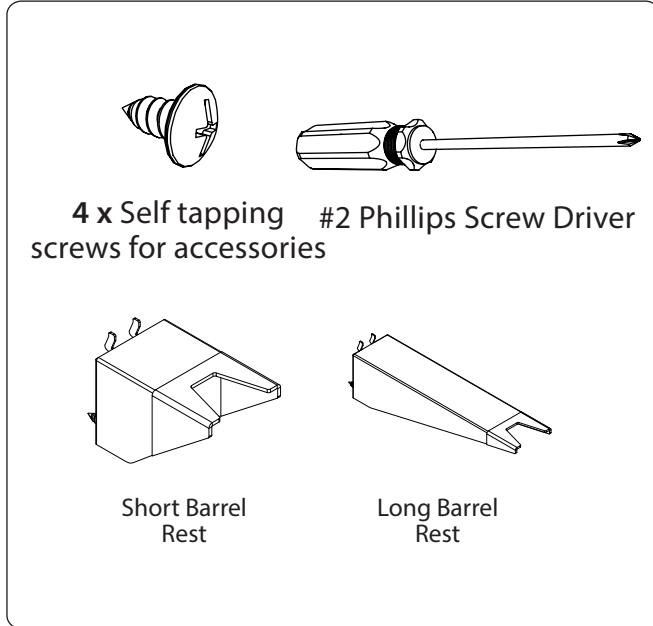


- 5** Place the stock rests of desired pattern on the shelf.

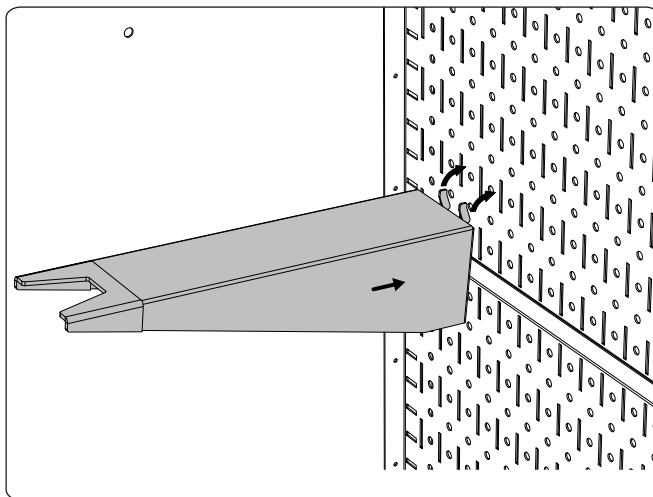


# Installing Accessories - Individual barrel rests

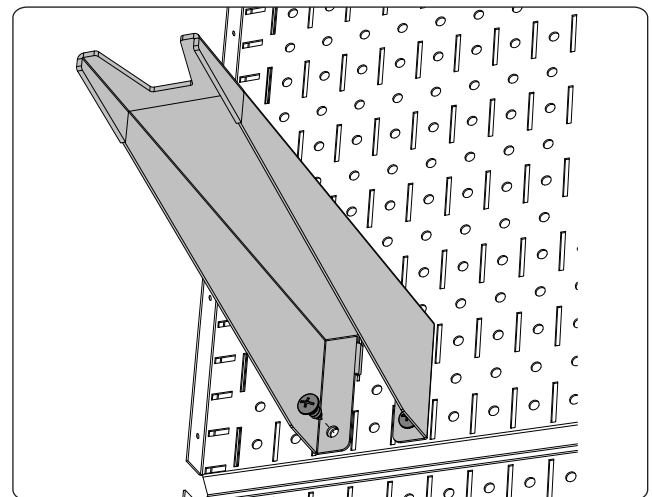
## Parts and Tools Needed.



## **1** Install barrel rest on provided slot.



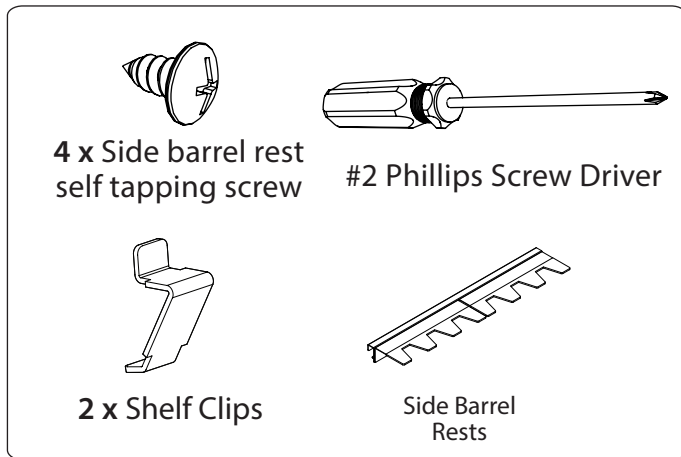
## **2** Using 2 self tapping screws, carefully secure the barrel rest against the back panel.





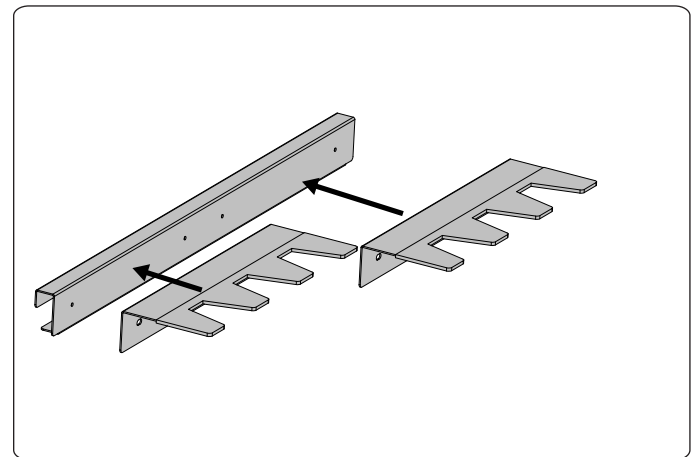
# Installing Accessories - Side barrel rests

## **i** Parts and Tools Needed.

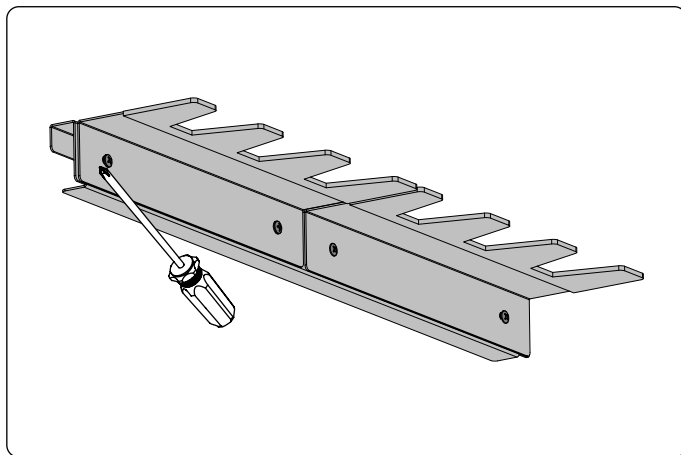


Install side barrel supports to the back plate provided. One or two barrel rests can be attached to the back plate as per the gun layout to rest three or six guns.

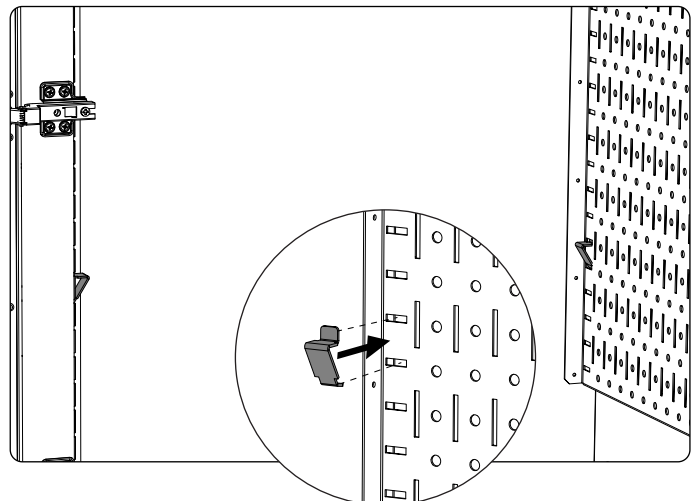
## **1**



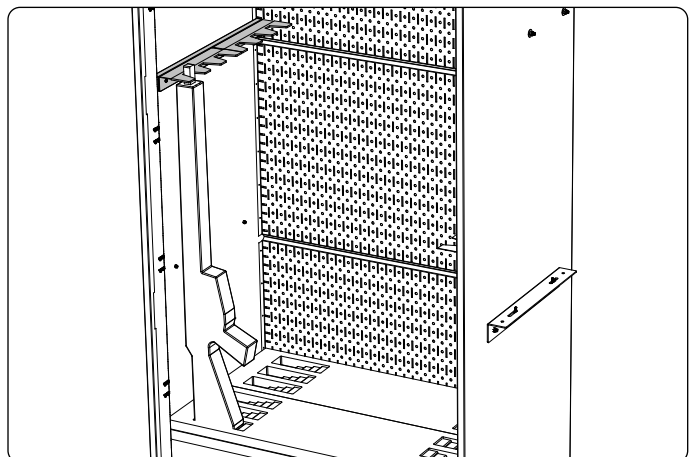
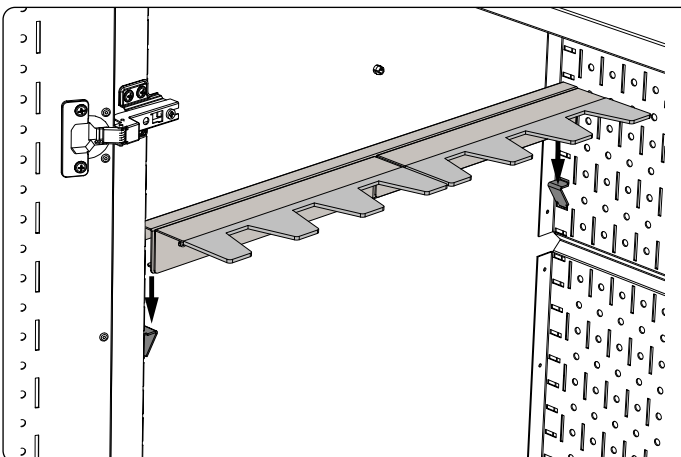
**2** Use self tapping screws to fix the supports to the back plate.



**3** Insert shelf clip on slight angle and rotate to level position.

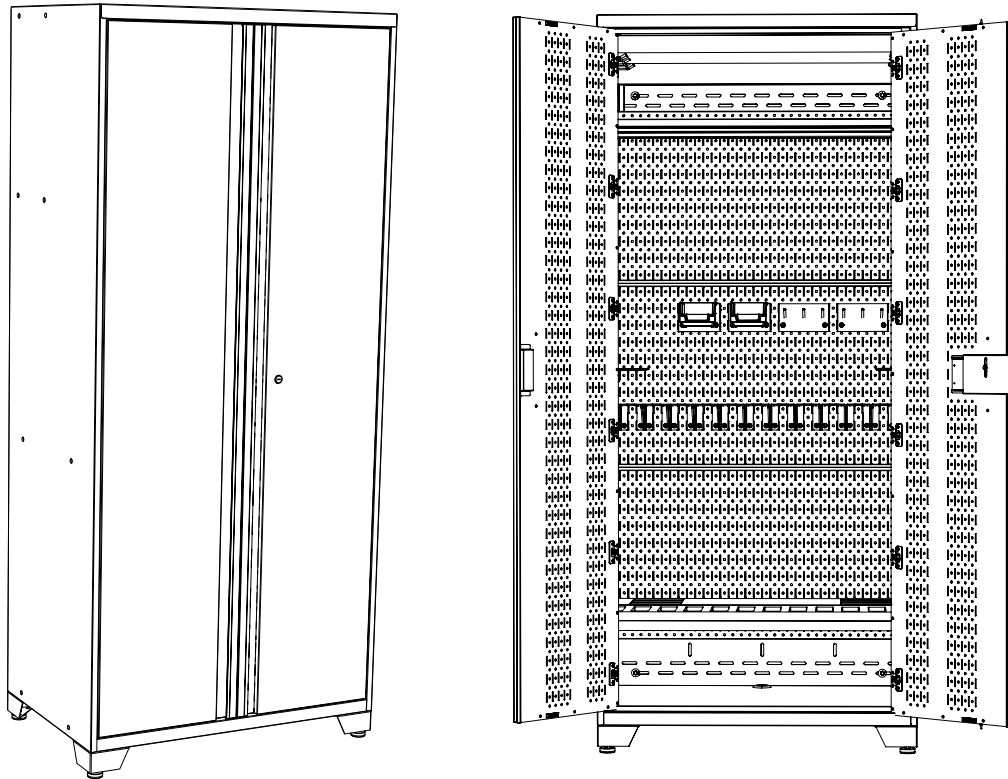


**4** Lower the side barrel rest onto the shelf clips.



**Thank you for purchasing a NewAge Product!**

Please give us a call or visit online if you have any questions. Call 1.877.306.8930; e-mail at [support@newageproducts.com](mailto:support@newageproducts.com)



# ARMOIRES À FUSILS SÉCURISÉE

## GUIDE D'INSTALLATION



### **AVERTISSEMENT : Danger de charge excessive!**

Pour éviter les blessures au dos, déplacez, assemblez et installez l'armoire avec l'aide de deux personnes ou plus. Ne laissez pas d'enfant sans surveillance près des armoires. Risque élevé de basculement si les armoires sont installées incorrectement : pour éviter les blessures graves, fixez les armoires de façon sécuritaire au mur.

Pour obtenir de l'aide, composez le 1 877-306-8930; envoyez un courriel à [info@newageproducts.com](mailto:info@newageproducts.com).



### **ATTENTION :**

Votre armoire est-elle endommagée?

Vous avez besoin d'assistance ou de pièces de rechange? Pour un service plus rapide, contactez NewAge Products au 1 877-306-8930 ou écrivez à [support@newageproducts.com](mailto:support@newageproducts.com).

Ne retournez pas ce produit au détaillant.

# Index

---

<b>Déballage</b>	38
<b>Inspection du produit</b>	38
<b>Outils requis</b>	38
<b>Ensemble de visserie</b>	39
<b>Pièces fournies</b>	40
<b>Accessoires individuels</b>	41
<b>Différentes dispositions avec des accessoires.</b>	42
<b>Capacité de charge</b>	43
<b>Options d'installation</b>	45
<b>Installation des pattes (en option)</b>	46
<b>Accrochage des armoires au mur</b>	47
<b>Fixation des armoires au mur</b>	50
<b>Fixation des armoires</b>	51
<b>Installation du support latéral de plan de travail :</b>	52
<b>Insertion de la tige utilitaire et des crochets du casier</b>	53
<b>Insertion de la tablette d'armoire</b>	54
<b>Installation des accessoires - Bac de pièces et support</b>	56
<b>Installation des accessoires - Support de pistolet</b>	57
<b>Accessoires d'installation - Tablette de 34 po</b>	58
<b>Installation des accessoires - Tablette de 13 po</b>	61
<b>Installation des accessoires - Tablette de stockage</b>	64
<b>Installation des accessoires - Supports de canon individuels</b>	65
<b>Installation des accessoires - Supports de canon latéraux</b>	66

# NEWAGE PRODUCTS INC. GARANTIE DU FABRICANT DE LA SÉRIE GARAGE

## UNE PREUVE D'ACHAT EST REQUISE POUR OBTENIR UN SERVICE DE GARANTIE.

Veuillez disposer des informations suivantes  
lorsque vous appelez notre service clientèle:

- Nom, adresse et numéro de téléphone
- Nom du produit / numéro de SKU
- Une description claire et détaillée du problème
- Preuve d'achat avec numéro de commande

### Enregistrez votre achat de produits NewAge en ligne pour l'assistance aux clients et l'accès à des avantages exclusifs

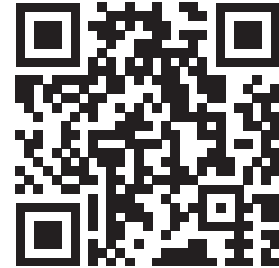
Visitez [www.newageproducts.com/register/](http://www.newageproducts.com/register/)

### Réclamations de garantie

Pour le service de garantie, veuillez contacter NewAge Products au 1-877-306-8930; ou [support@newageproducts.com](mailto:support@newageproducts.com)

Veuillez consulter tous les détails de la garantie ci-dessous, avant de contacter NewAge Products pour une réclamation.

Scannez le code QR à droite pour accéder à notre page d'assistance ou visitez [www.newageproducts.com/contact-us/](http://www.newageproducts.com/contact-us/)



Scannez ce code QR avec l'appareil photo sur votre appareil mobile pour visiter le Centre d'assistance des produits NewAge [www.newageproducts.com/support-hub/](http://www.newageproducts.com/support-hub/)

## GARANTIE LIMITÉE À VIE

### CE QUI EST COUVERT

Lorsque ce produit est installé, utilisé et entretenu conformément aux instructions jointes ou fournies avec le produit, NewAge Products Inc. remplacera le produit ou les pièces défectueuses si la pièce tombe en panne en raison de matériaux défectueux ou de fabrication pendant la durée de la garantie à partir du date d'achat du produit.

### CE QUI N'EST PAS COUVERT

1. Les appels de service pour corriger l'installation de tout produit NewAge ou pour vous montrer comment les utiliser ou les installer.
2. Les dommages résultant de produits causés par un accident, une mauvaise utilisation, un abus, un incendie, une inondation, une installation incorrecte, un cas de force majeure, une négligence, une modification ou une mauvaise manipulation.
3. Les produits endommagés en raison d'une charge supérieure au poids maximum précisé dans les instructions fournies avec le produit.
4. Les réparations ou le remplacement lorsque votre produit est utilisé pour un usage autre que résidentiel normal, comme un milieu commercial, ou portatif d'une manière incohérente avec les instructions d'installation.
5. Les dommages cosmétiques, y compris les éraflures, les marques, les entailles ou les fissures dans la peinture qui n'affectent pas la capacité fonctionnelle ou structurelle du produit.
6. Surfaces endommagées en raison d'une mauvaise utilisation de produits chimiques et de détergents.
7. Les pièces de rechange pour des produits NewAge à l'extérieur du Canada et des États-Unis.
8. Une perte en raison d'un vol.
9. Les dommages résultant d'une utilisation contraire du produit et non conforme au manuel d'instructions.
10. Tous les frais de main-d'œuvre pendant la période de garantie.
11. Les clés ou mécanismes de verrouillage de rechange.
12. Le contenu de l'armoire sécurisée n'est pas couvert par la présente garantie.

### EXCLUSION DE GARANTIES IMPLICITES

LES GARANTIES IMPLICITES, Y COMPRIS, DANS LA MESURE OÙ CELA EST APPLICABLE, LES GARANTIES DE QUALITÉ MARCHANDE OU DE CONFORMITÉ À UN USAGE PARTICULIER, SONT EXCLUES DANS LA LIMITE OÙ LA LOI LE PERMET. TOUTE GARANTIE IMPLICITE QUI POURRAIT ÊTRE IMPOSÉE PAR LA LOI DOIT SE LIMITER À UN AN, OU À LA PÉRIODE LA PLUS COURTE PERMISE PAR LA LOI. CETTE GARANTIE EST LIMITÉE À L'ACHETEUR ORIGINAL. Certains états et provinces n'autorisent pas les limitations de durée des garanties implicites de qualité marchande ou d'adéquation, de sorte que cette limitation peut ne pas s'appliquer à vous. Cette garantie vous donne des droits légaux spécifiques, et vous pouvez également avoir d'autres droits qui varient d'un état à l'autre ou d'une province à l'autre.

### LIMITATION DES RECOURS; EXCLUSION DES DOMMAGES ACCESSOIRES ET CONSÉCUTIFS

VOTRE SEUL ET EXCLUSIF RECOURS EN VERTU DE CETTE GARANTIE LIMITÉE SERA LA RÉPARATION OU LE REMPLACEMENT DU PRODUIT À NOTRE DISCRÉTION COMME PRÉVU ICI. NEWAGE NE SERA PAS RESPONSABLE DES DOMMAGES ACCESSOIRES OU INDIRECTS. Certains états et provinces n'autorisent pas l'exclusion ou la limitation des dommages accessoires ou consécutifs, de sorte que ces limitations et exclusions peuvent ne pas s'appliquer à vous. Cette garantie vous donne des droits légaux spécifiques, et vous pouvez également avoir d'autres droits qui varient d'un état à l'autre ou d'une province à l'autre.

# Avertissement :

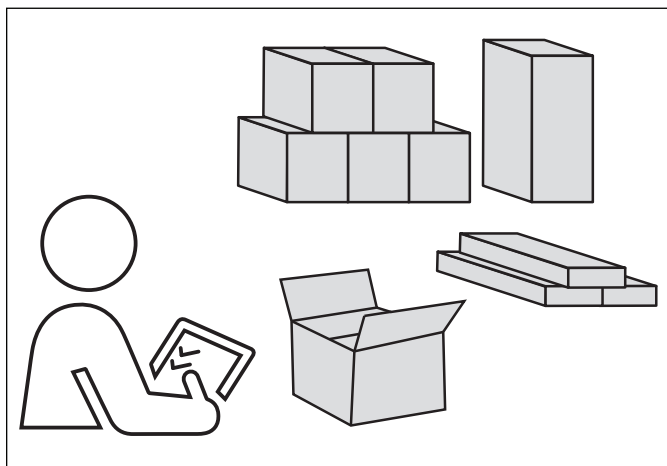
---

- Respectez toujours les lois locales lorsque vous stockez des armes dans l'armoire à fusils sécurisée NewAge.
- Respectez toujours les règles de sécurité énoncées par le fabricant de l'arme à feu.
- Gardez toujours l'armoire à fusils sécurisée verrouillée avec la clé hors de portée des enfants ou des inconnus.
- Les enfants ne doivent pas jouer autour ou avec l'armoire à fusils Secure Gun.
- Enregistrez le numéro de série de votre clé. Vous aurez besoin de ce numéro de série pour les pièces de rechange des clés et des portes.

# Déballage

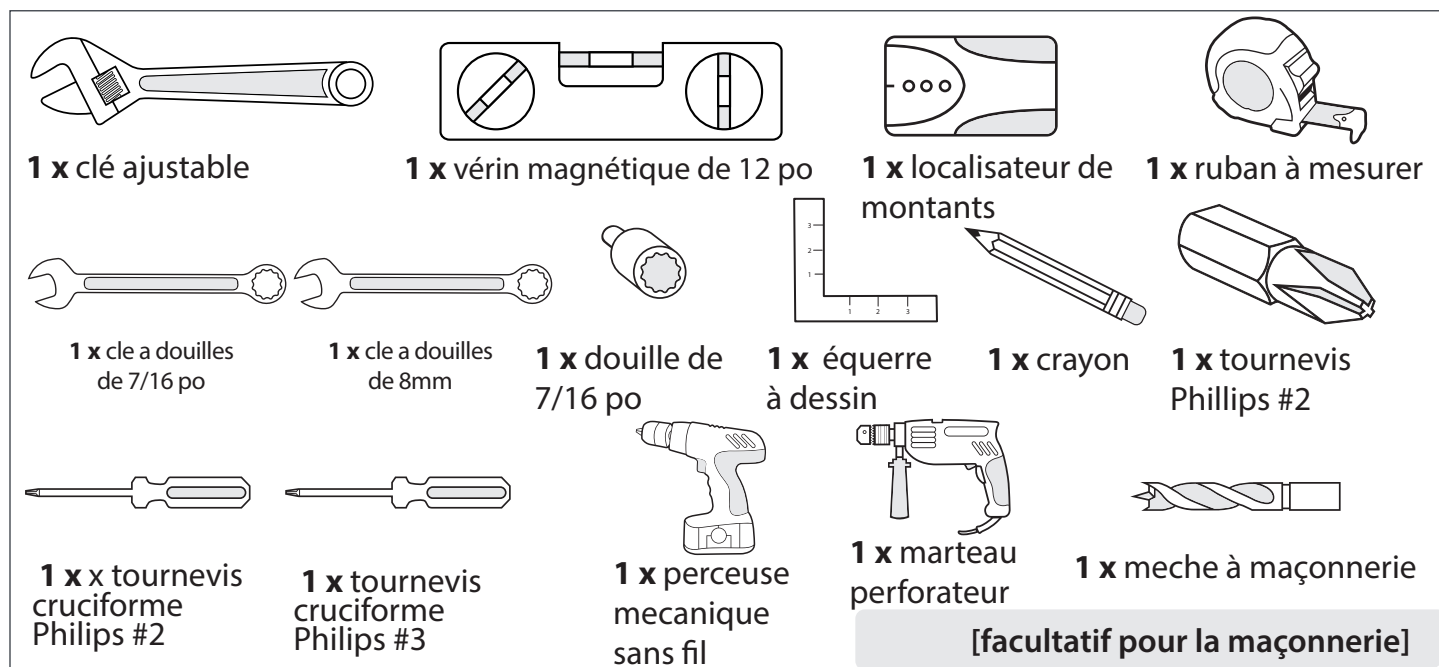
- Commencer par placer l'emballage sur une surface plane doté d'un revêtement;
- Retirer tout le carton, les matériaux d'emballage en mousse et les sacs en nylon;
- Mettre au rebut/recycler tous les matériaux d'emballage;
- Vérifier l'ensemble du contenu de la boîte et réunir les outils nécessaires. Consultez la section « Outils requis » dans la liste ci-dessous.

# Inspection du produit

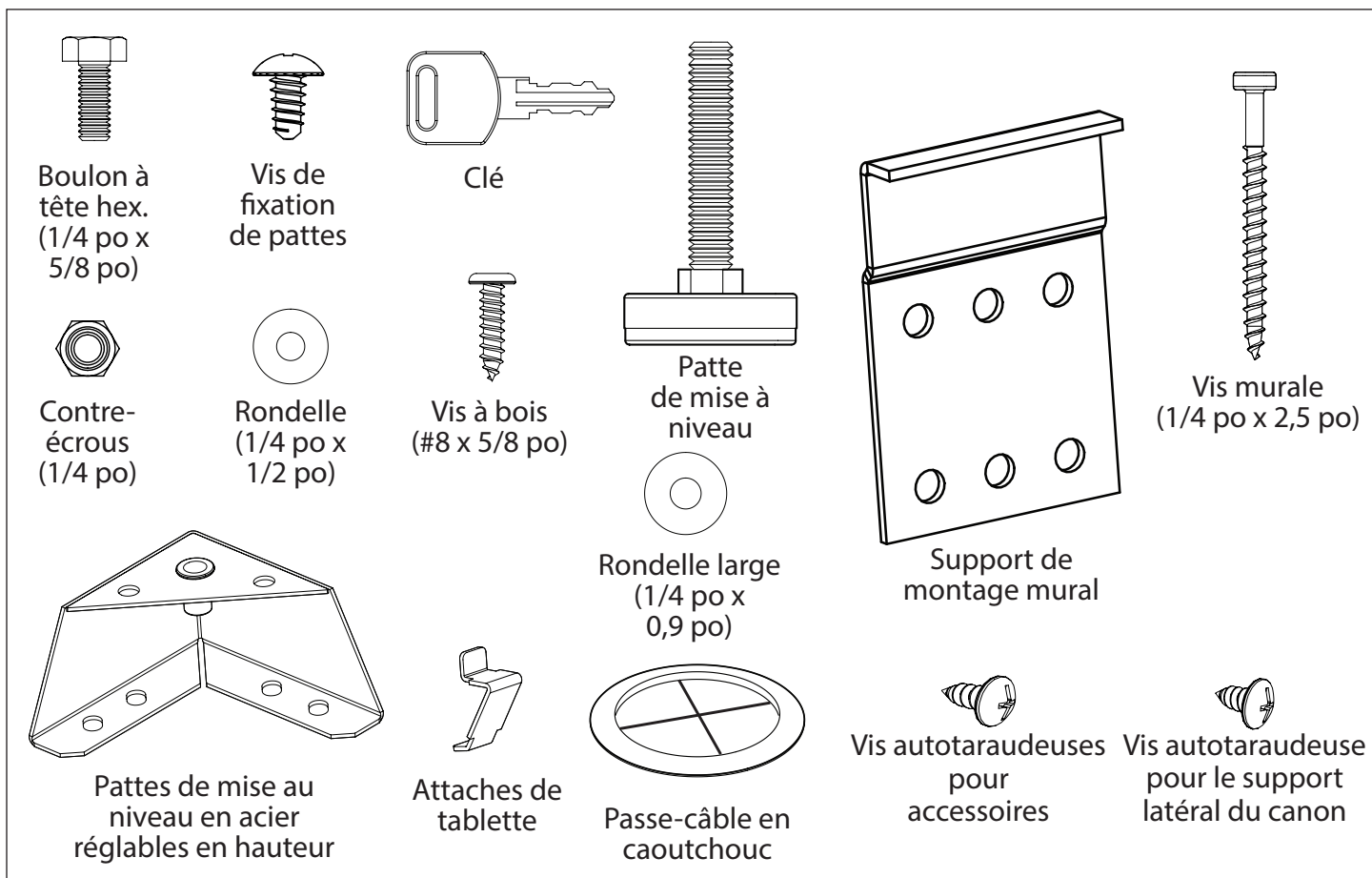


- Assurez-vous d'avoir reçu toutes les pièces conformément à la commande que vous avez passée.
- S'il manque des pièces, contactez NewAge Products au 1 877-306-8930.
- Avant de commencer l'installation, inspectez les produits pour y déceler tout dommage.
- Lisez attentivement les instructions d'installation avant de commencer l'installation.

# Outils requis



# Ensemble de visserie

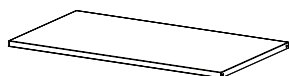


## Pièces fournies et Pièces de rechange

S.No.	Part No.	Description du Produit	Qte. Comprise	N° d'UGS de Pièces de rechange	Qte. de Pièces de rechange
1.	PB3-77.003A-01 PB3-77.004A-01	Armoire à pistolet sécurisée Pro 36 po Porte grise (Paquet de 2)	1 LH + 1 RH	54033	1
2.	PB3-77.003A-01 PB3-77.004A-01	Armoire à pistolet sécurisée Pro 36 po Porte noire (Paquet de 2)	1 LH + 1 RH	54034	1
3.	H00618A-01	Clé d'armoire à Pistolet Sécurisée 219	2	54035	1
4.	H00618A-01	Clé d'armoire à Pistolet Sécurisée 319	2	54036	1
5.	H00618A-01	Clé d'armoire à Pistolet Sécurisée 419	2	54037	1
6.	H00569A-01	Vis autotaraudeuse pour les accessoires	32	54049	1
7.	H00525A-01	Vis autotaraudeuse du support latéral du canon	8	54019	1

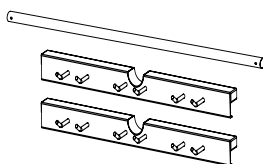
# Pièces fournies

## Pièces de l'armoire fournies



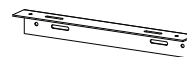
PB3-19.005.01A-01

Tablette  
réglable  
pleine longueur



PB3-19.004A-01-XX

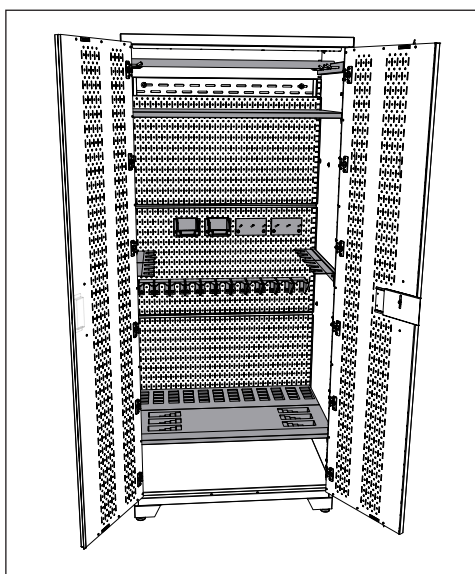
Barre pour  
supports de  
vêtement  
et crochets



PB3-19.008A-01-XX

Bride de soutien

## Accessoires



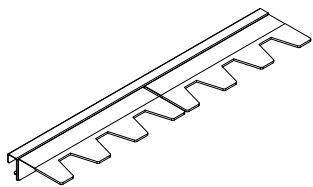
**Armoire à fusils sécurisée de 36 po**

Part No.	Accessoires inclus dans l'armoire	Nombre d'articles Armoire à fusils sécurisée de 36 po
PB3-140A-01-XX	Repose-canon Court	12
PB3-143A-01-XX	Repose-fûts latéraux	2
PB3-141.001A-01-XX	Étagère en Stock 36 po	1
PB3-141.002A-01-XX PB3-141.003A-01-XX	Reste de Stock	2 (profilés de motif différent)
PB3-137A-01-XX	Bac de pièces et support	2
PB3-135A-01-XX	Porte-pistolet	2



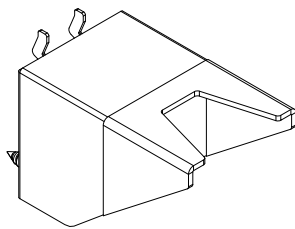
# Accessoires individuels

**Remarque :** Pour personnaliser davantage votre armoire à fusils sécurisée, les accessoires ci-dessous peuvent être achetés séparément.



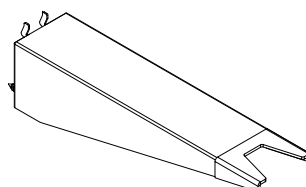
Supports de canon latéraux (lot de 2)

**SKU# 54027**



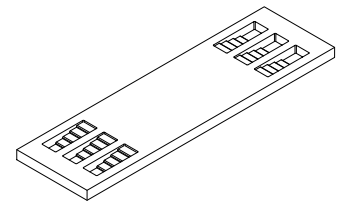
Supports de canon courts (lot de 2)

**SKU# 54024**



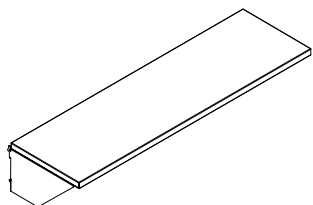
Supports de canon longs (lot de 2)

**SKU# 54023**



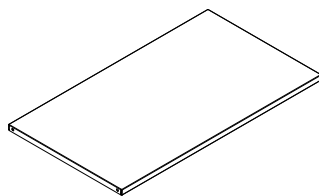
Support pour 6 fusils pour tablette de stockage d'armoire à fusils sécurisée de 36 po (lot de 1)

**SKU# 54030**



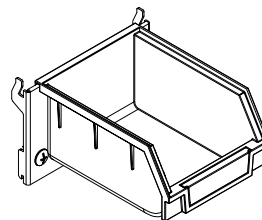
Étagère de rangement de 34 po (paquet de 1)

**SKU# 54020**



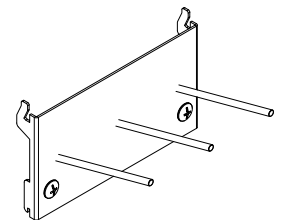
Tablette de stockage pour armoire à fusils sécurisée de 36 po (lot de 1)

**SKU# 54025**



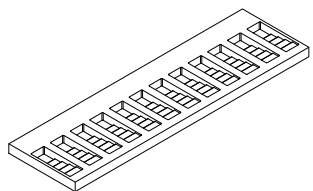
Bac de pièces et supports de bac (lot de 2)

**SKU# 54028**



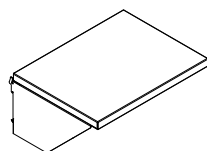
Porte-pistolets (lot de 2)

**SKU# 54022**



Support de stockage pour 12 fusils pour tablette de stockage d'armoire à fusils sécurisée de 36 po (lot de 1)

**SKU# 54029**

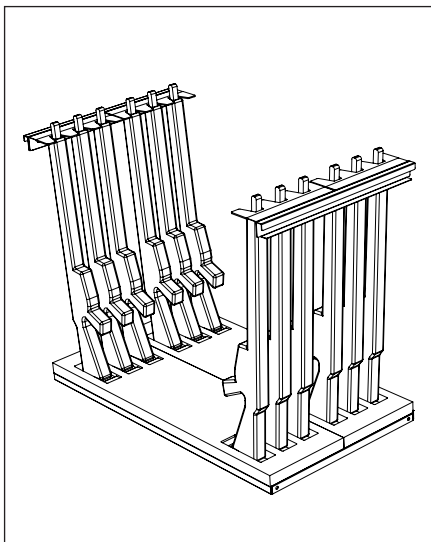


Tablette de 13 pouces (lot de 1)

**SKU# 54021**

# Différentes dispositions avec des accessoires.

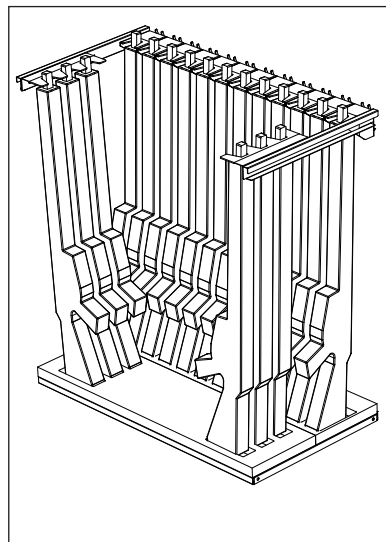
## Armoire à fusils sécurisée de 36 po



### Configuration pour 12 carabines

Accessoires requis :

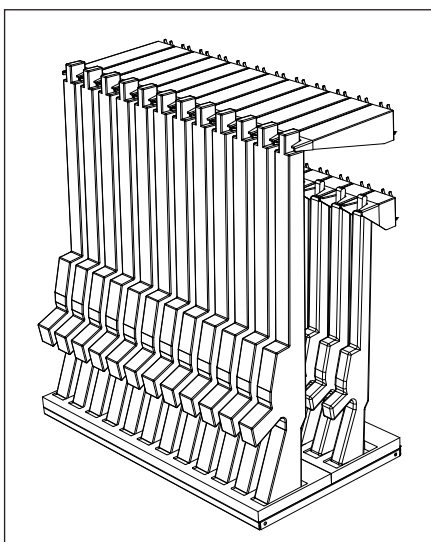
- 1 étagère de rangement de 34 po
- Support de stockage pour armoire à fusils sécurisée de 36 po avec :  
**X2** Support de stockage pour 6 fusils



### Configuration pour 18 carabines

Accessoires requis :

- 1 étagère de rangement de 34 po
- Supports pour 12 canons courts
- Support de stockage pour armoire à fusils sécurisée de 36 po avec :  
**X1** Support de stockage pour 12 fusils  
**X1** Support de stockage pour 6 fusils

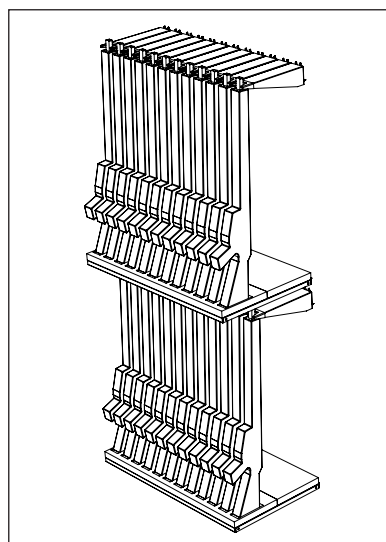


### Configuration pour 24 carabines

Accessoires requis :

- **X1** Supports pour 12 canons courts long
- **X1** Supports pour 12 canons courts short
- **X1** étagère de rangement de 34 po :  
**X2** Support de stockage pour 12 fusils

**Remarque :** Cette configuration est idéale pour les carabines de petite et moyenne taille.

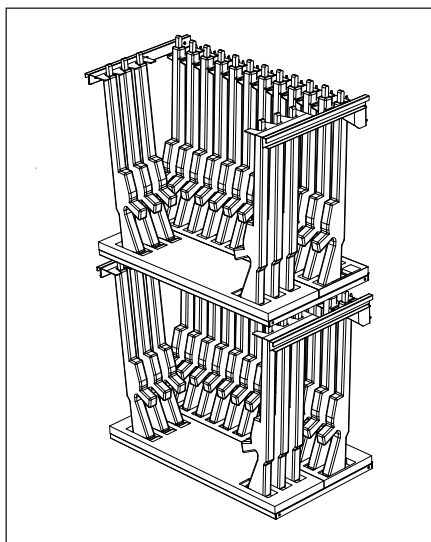


### Configuration pour 24 carabines

Accessoires requis :

- Supports pour 24 canons longs
- **X2** étagère de rangement de 34 po :  
**X2** Support de stockage pour 12 fusils chacun  
**X2** Support de stockage pour 6 ou 12 fusils chacun (renversés dans l'image)

**Remarque :** Cette configuration est idéale pour les carabines de petite et moyenne taille.

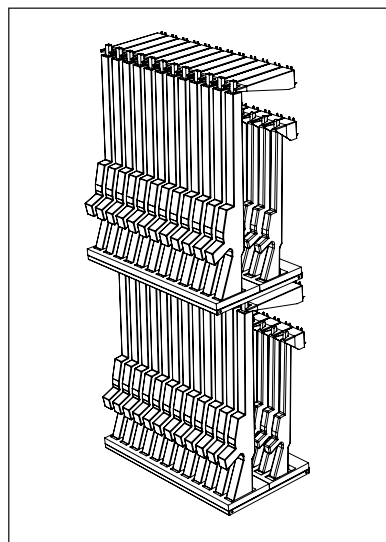


### Configuration pour 36 carabines

Accessoires requis :

- 4 supports de canon latéraux
- Supports pour 24 canons courts
- **X2** étagère de rangement de 34 po :  
**X2** Support de stockage pour 12 fusils chacun  
**X2** Support de stockage pour 6 fusils chacun

**Remarque :** Cette configuration est idéale pour les carabines de petite et moyenne taille.



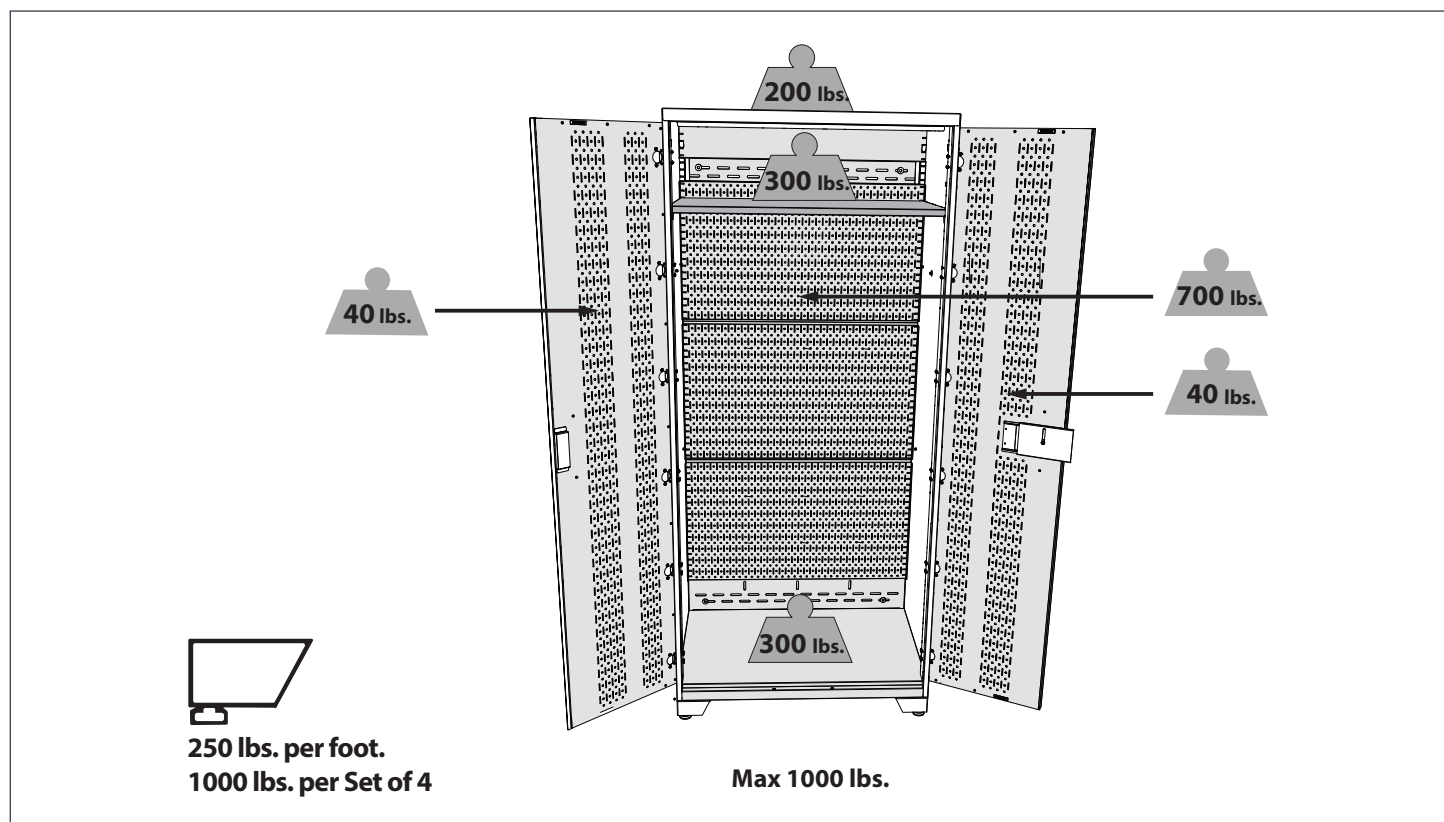
### Configuration pour 48 carabines

Accessoires requis :

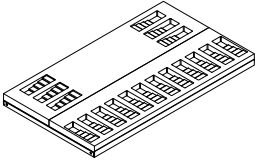
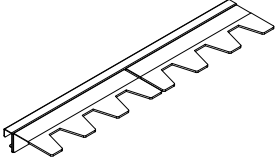
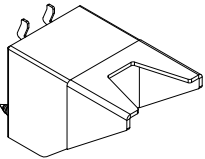
- Supports pour 24 canons longs
- Supports pour 24 canons courts
- **X2** étagère de rangement de 34 po :  
**X2** Support de stockage pour 12 fusils chacun

**Remarque :** Cette configuration est idéale pour les carabines de petite et moyenne taille.

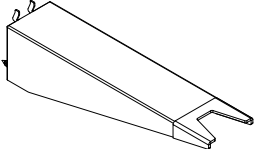
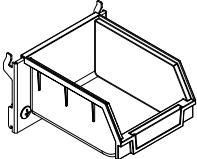
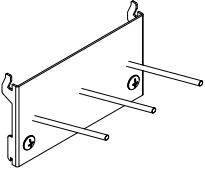
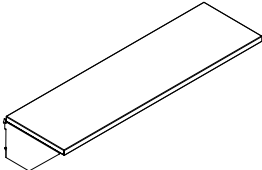
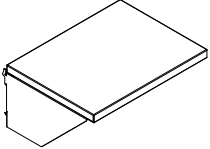
# Capacité de charge



**Remarque:** les armoires doivent être fixées au mur afin de remplir la capacité de charge déclarée.

Accessoire	Description	Capacité de charge (lb)
	Tablette de stockage pour armoire à fusils sécurisée de 36 po	300
	Support de canon latéral	5
	Support de canon court	5

# Capacité de charge

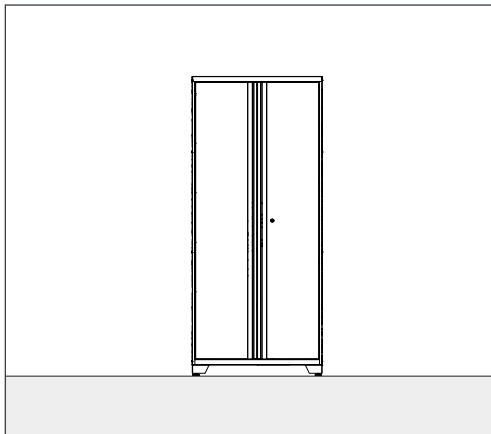
Accessoire	Description	Capacité de charge (lb)
	Support de canon long	5
	Bac à pièces et support de bac à pièces	10
	Support de pistolets	15 (5 lb par crochet)
	Tablette de 34 po	100
	Tablette de 13 po	50

# Options d'installation

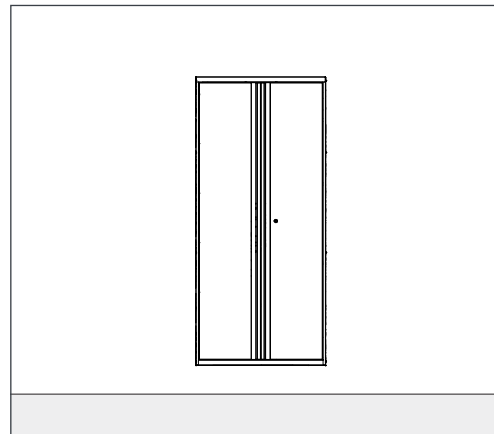
---

**Remarque :** Toutes les armoires à fusils sécurisées NewAge doivent être fixées au mur lors de l'installation.

Support mural avec pattes de mise au niveau réglables. Consultez les pages 45 et 50.

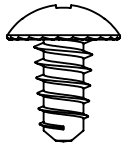


Fixation au mur à l'aide des supports de montage mural fournis. Consultez les pages 46 à 50.

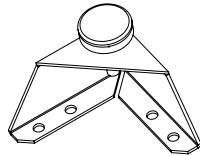


# Installation des pattes (en option)

## **i** Pièces requises

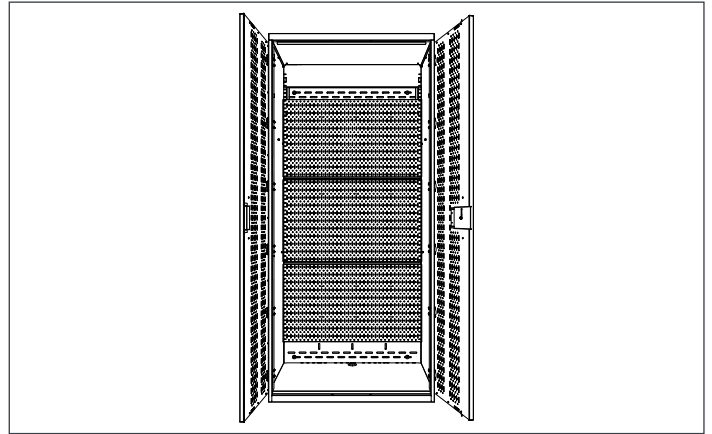


16 X Vis  
de fixation  
de pattes

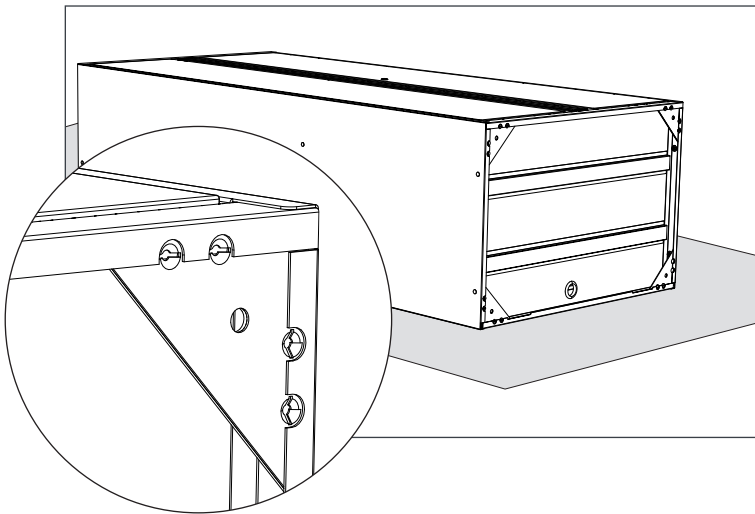


Pattes de mise au niveau  
en acier  
réglables en hauteur

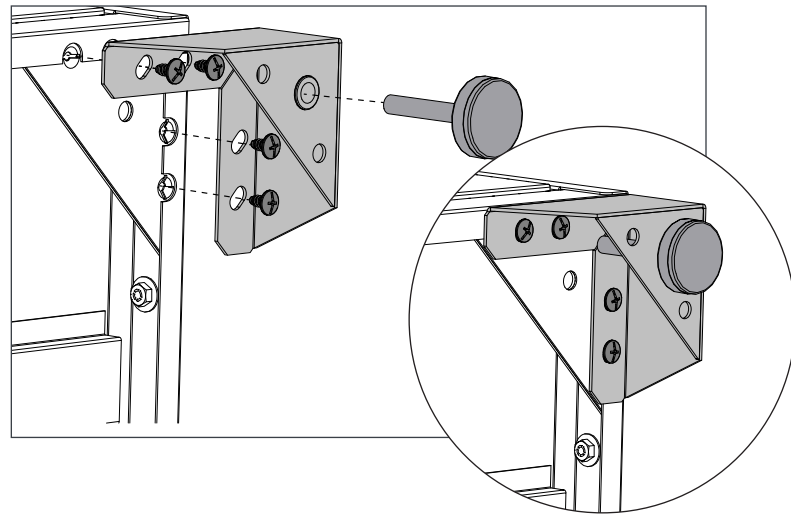
## **1** Ouvrez l'armoire, enlevez toute tablette ou tout article non fixé.



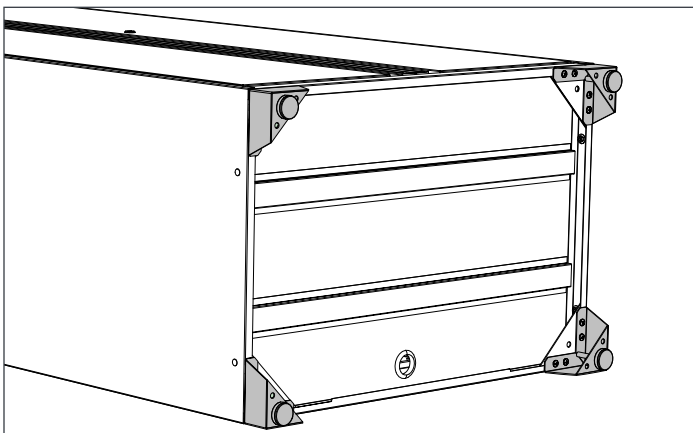
## **2** Placez l'armoire sur son dos. Utilisez une surface de protection sur le sol. Repérez les trous dans les coins.



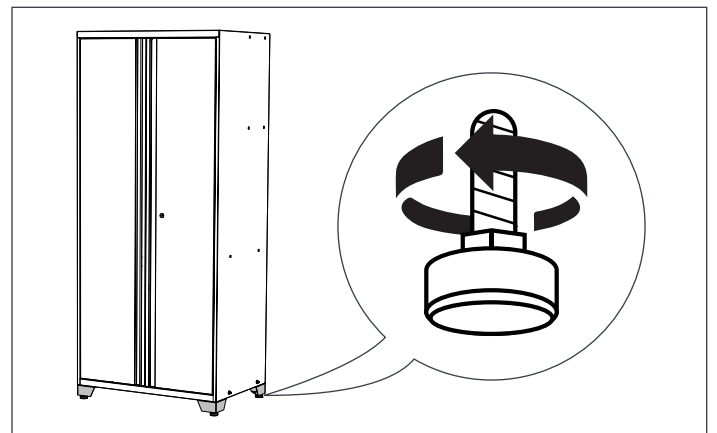
## **3** Alignez la patte avec le bord de l'armoire. Vissez les 4 x vis de fixation de patte à l'aide d'un embout Phillips n° 3.



## **4** Répétez l'étape 3 pour chaque coin.

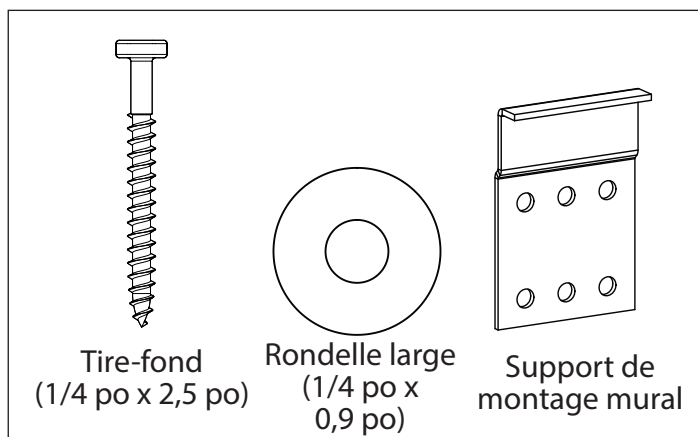


## **5** Mettez l'armoire debout et réalisez la mise à niveau des pattes.

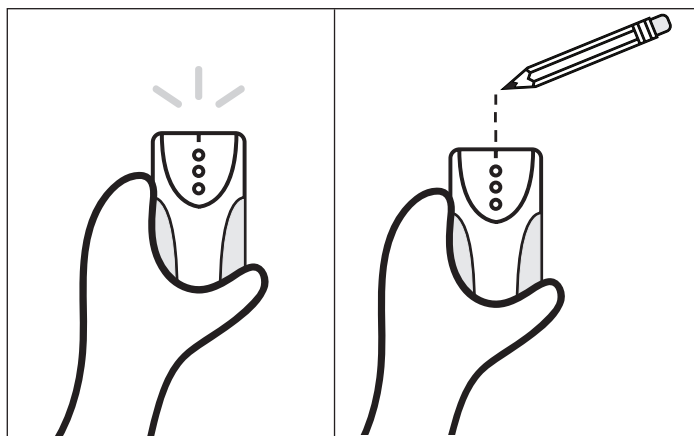


# Accrochage des armoires au mur

## **i** Pièces requises.



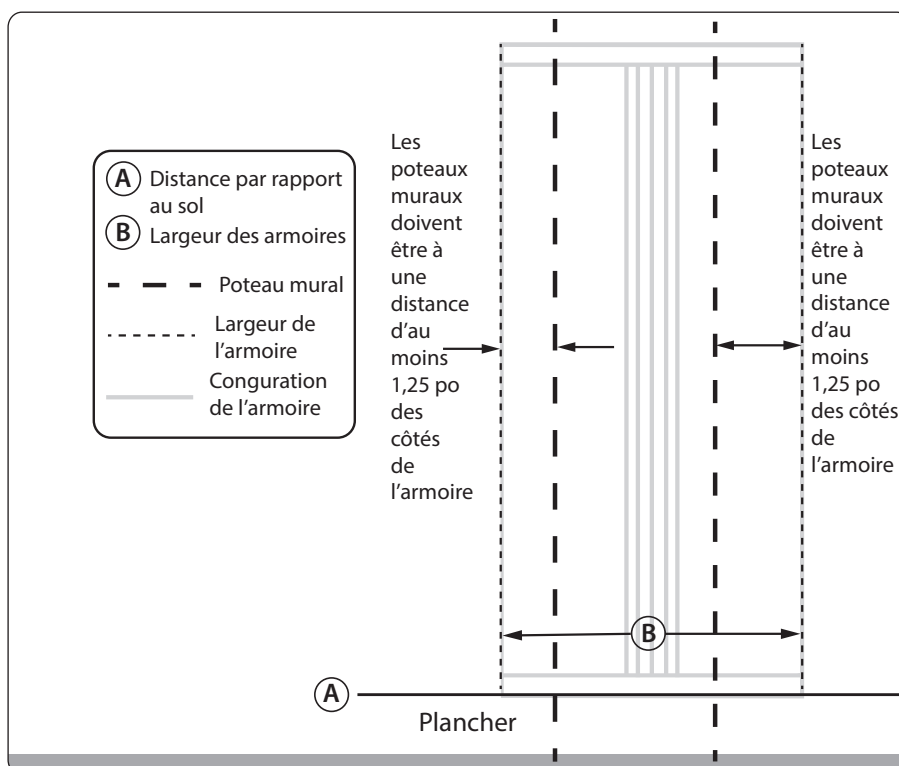
## **1** Utilisez un détecteur de montant pour repérer les montants et marquez le mur avec un crayon.



## **2** Planification de la position générale des armoires.

**Étape A.** Déterminez la hauteur de l'armoire par rapport au sol et faites une marque horizontale à cet endroit.

**Étape B.** Marquez ensuite la largeur de l'armoire à l'endroit prévu et assurez-vous que les montants du mur se trouvent à au moins 1,25 po du bord des armoires. Cela permet de s'assurer qu'il n'y a pas d'interférence entre les bords de l'armoire et le support mural lorsque l'armoire est fixée au mur.

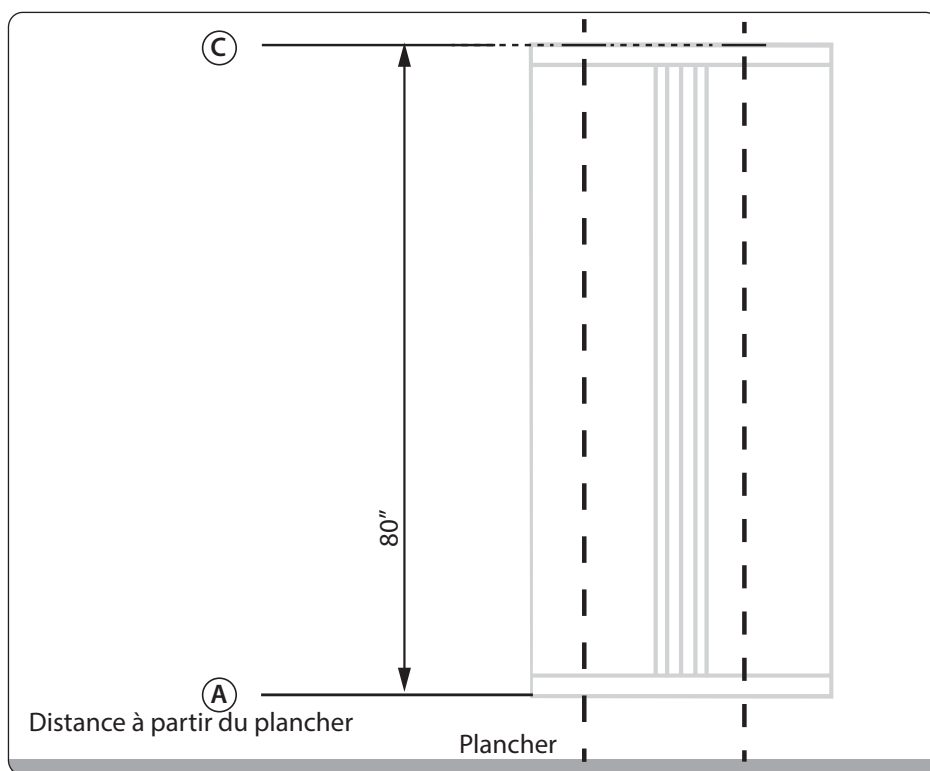


# Accrochage des armoires au mur (suite)

## 3 Planification de la position générale des armoires. (suite)

**Étape C** À partir de la ligne tracée à l'étape A, faites une marque horizontale aux hauteurs suivantes, à l'endroit où elles croisent les marques des montants du mur, afin de déterminer où sera le haut de l'armoire (et où sera installé le support de suspension).

Mesurez 80 po verticalement à partir de la ligne de base et marquez l'emplacement des montants.



**Étape D.** Assurez-vous que les armoires sont à une hauteur de travail convenable et que vos armoires murales ne sont pas hors de portée.

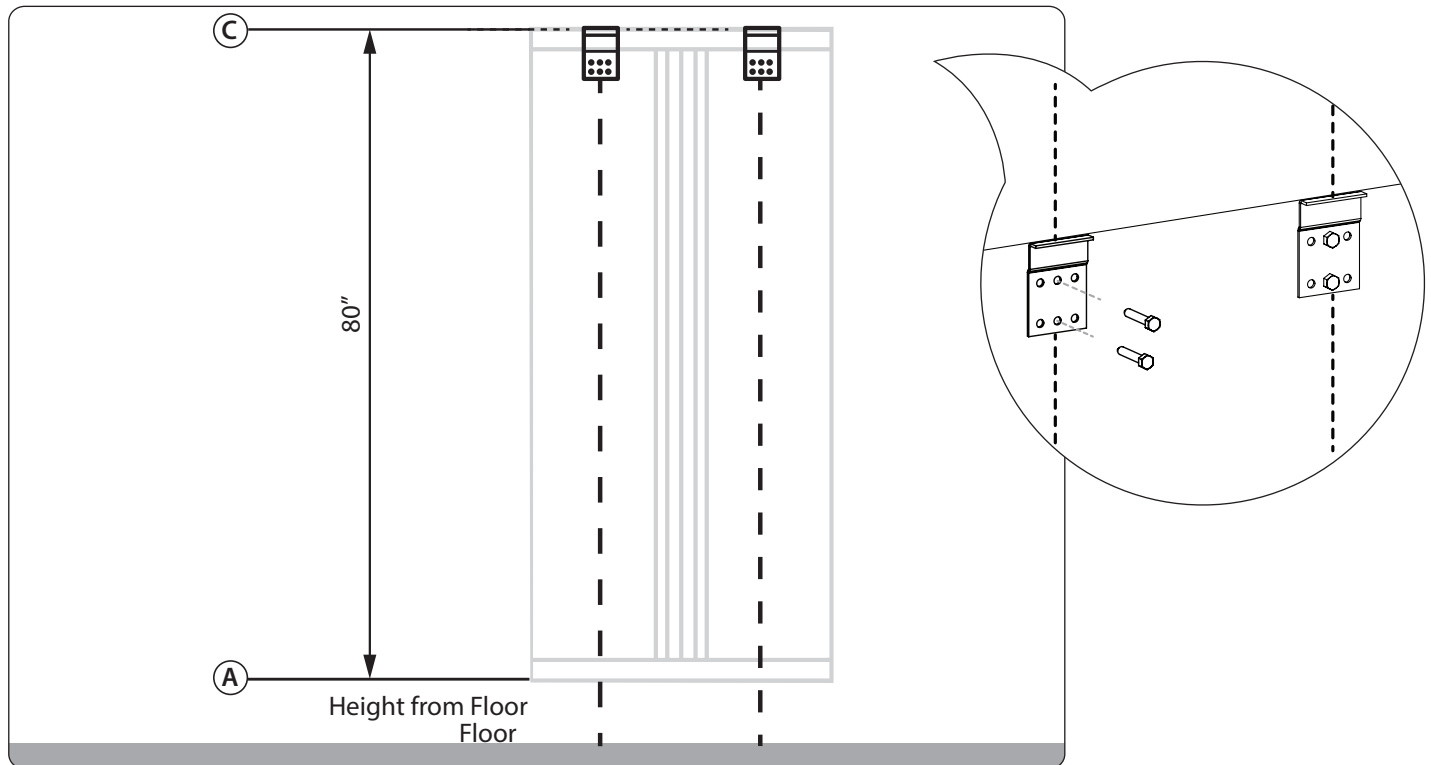


# Accrochage des armoires au mur (suite)

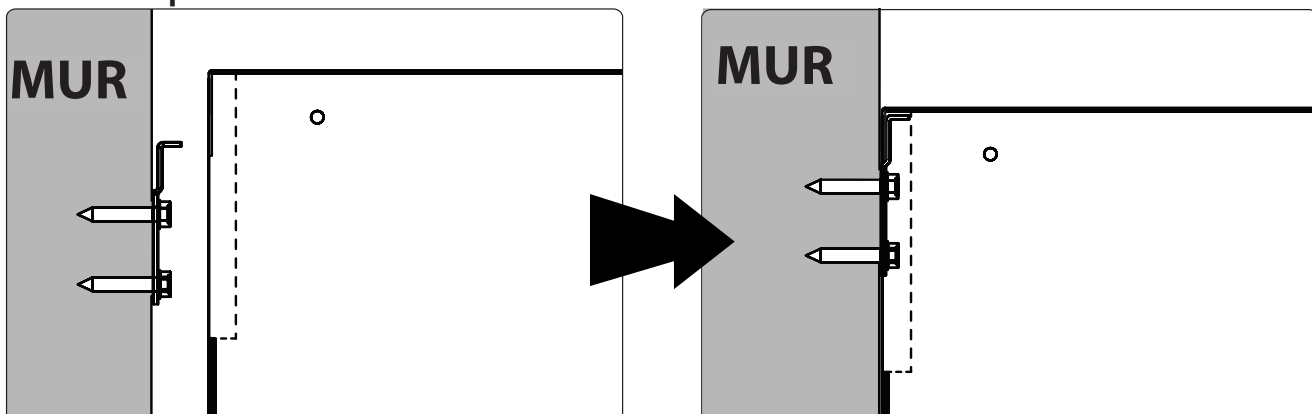
## 4 Accrochage des armoires au mur.

Aligner le haut des supports de suspension murale avec les lignes marquées pour la position du haut des armoires (étape C) et fixer solidement les supports dans les montants à l'aide des tire-fonds et des rondelles fournis.

**Remarque :** Il est possible de décaler le support d'un côté ou de l'autre si le support est positionné près du bord de l'emplacement prévu de l'armoire en utilisant les positions des trous secondaires sur le support.



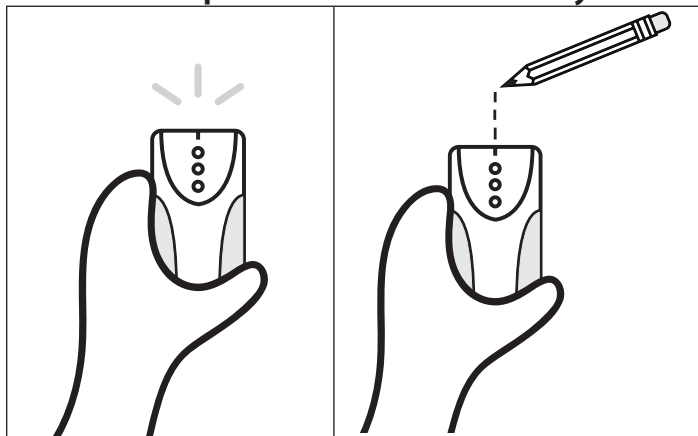
## 5 Soulevez l'armoire pour la mettre en place sur les supports et en affleurement avec le mur, puis abaissez-la en place.



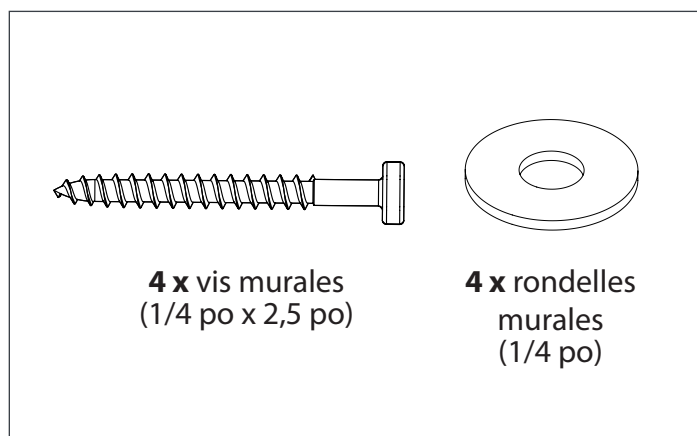
# Fixation des armoires au mur

**Remarque :** Ne chargez pas l'armoire sans l'avoir préalablement fixée au mur. Les supports muraux ne sont pas conçus pour supporter le poids d'une armoire chargée. Les armoires doivent être fixées au mur à l'aide des tire-fonds de 1/4 po x 2,5 po fournis.

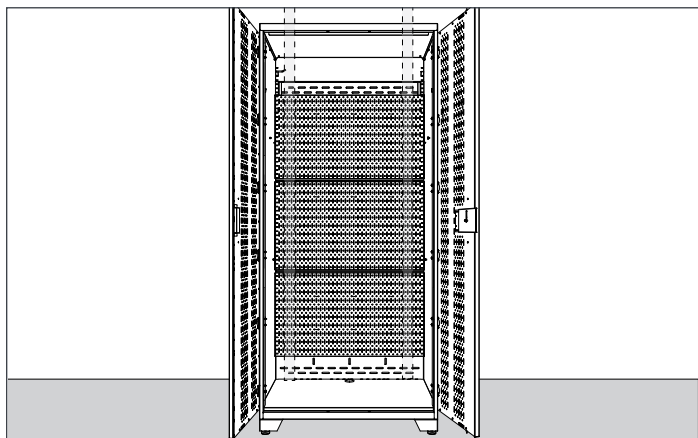
- 1** Utilisez un détecteur de montant pour repérer les montants et marquez le mur avec un crayon.



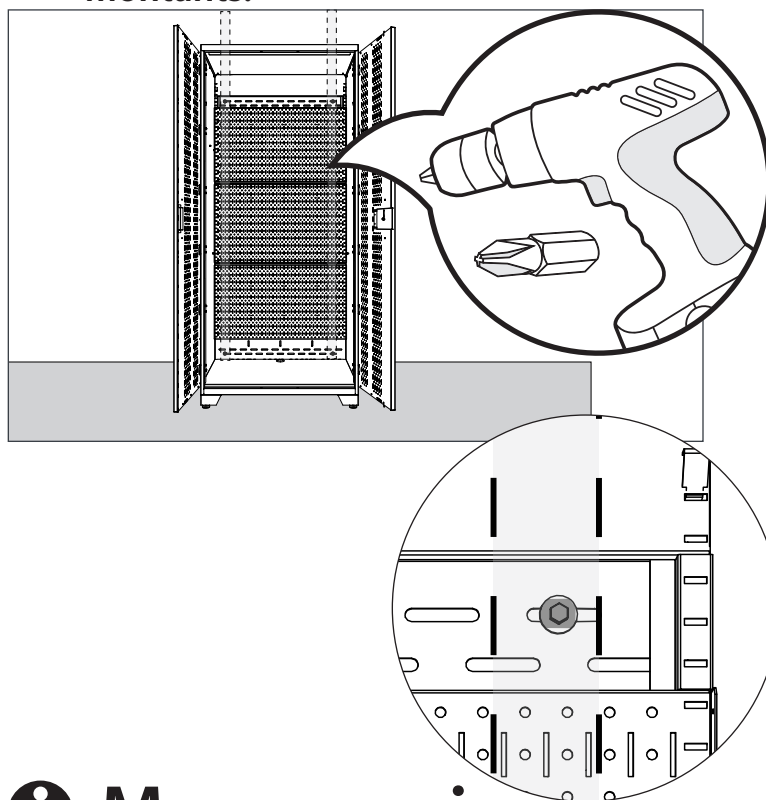
- 2** Rassemblez les pièces.



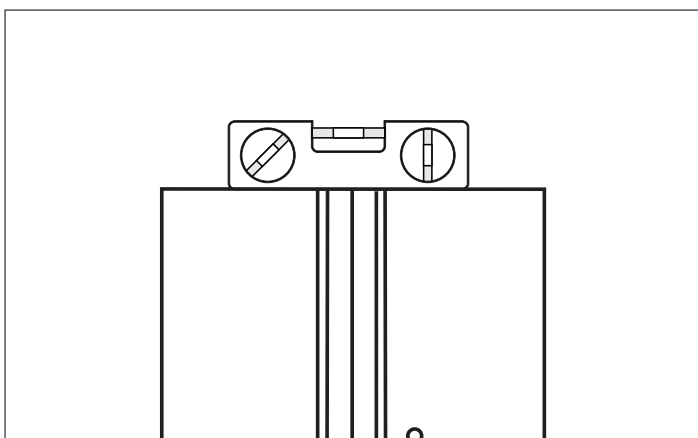
- 3** Placez l'armoire contre le mur et alignez-la sur les marques des montants.



- 5** Installer 4 vis murales et rondelles à travers les trous perforés dans les montants.



- 4** Mettez l'armoire au niveau

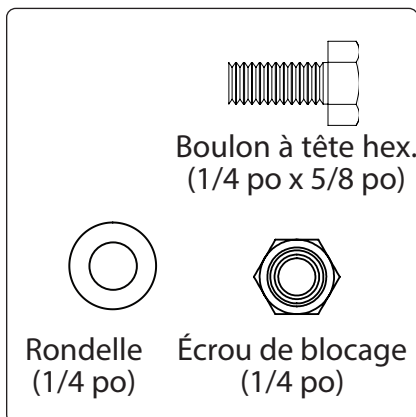


## **i** Maçonnerie.

- Suivez les étapes 3 et 4
- Percez 4 avant-trous à travers la bande perforée avec un marteau perforateur et un foret de maçonnerie.
- Utilisez 4 x ancrage pour béton Tapcon (2-1/4 po x 1/4 po) dans le mur. (non inclus)
- **OU** 4 x vis (n° 10 x 2 po) avec cheville de maçonnerie de 3/16 po dans le mur. (non inclus)
- Suivez l'étape 5.

# Fixation des armoires

## **i** Pièces requises.

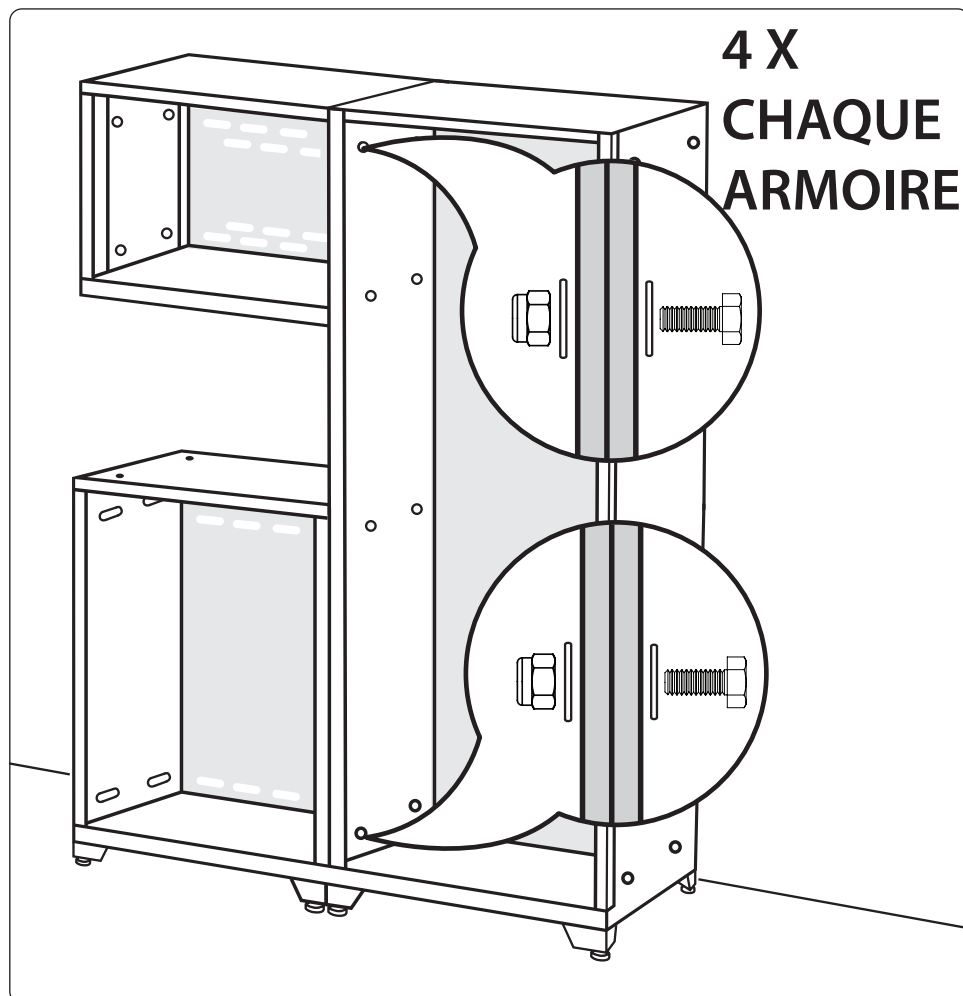


### **Remarque :**

Retirez tous les tiroirs avant de fixer les armoires.

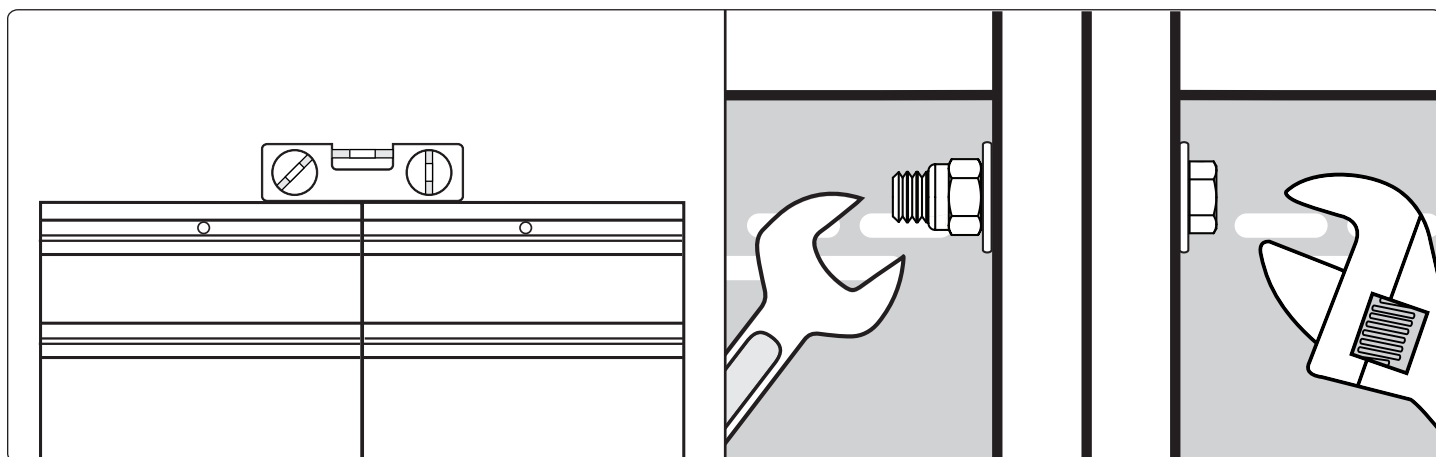
Boulonnez chaque armoire suivante à la précédente à l'aide des boulons à tête hexagonale de 1/4 po x 5/8 po et des contre-écrous fournis dans chaque armoire sur plancher et murale.

## **1** Alignez les boulons, serrez légèrement.



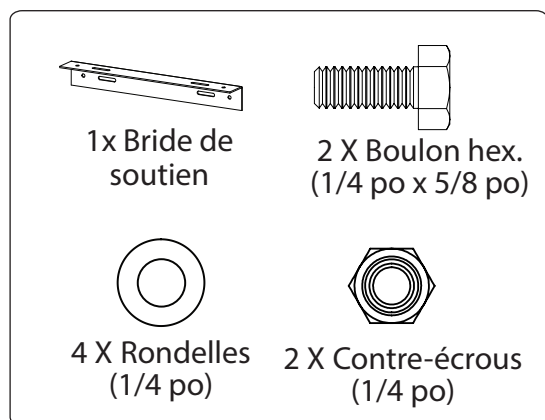
**AVERTISSEMENT :** Les supports muraux ne sont pas conçus pour supporter le poids d'une armoire chargée. Les armoires doivent être fixées au mur à l'aide des tire-fonds de 1/4 po x 2,5 po fournis.

## **2** Mettez les armoires à niveau et serrez tous les boulons.

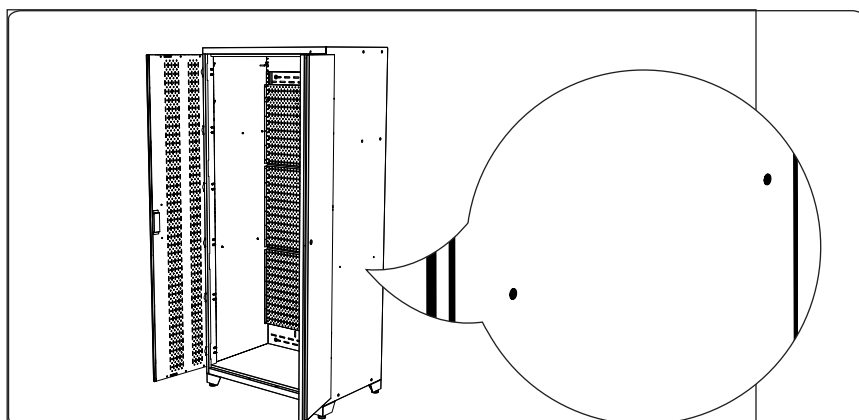


# Installation du support latéral de plan de travail :

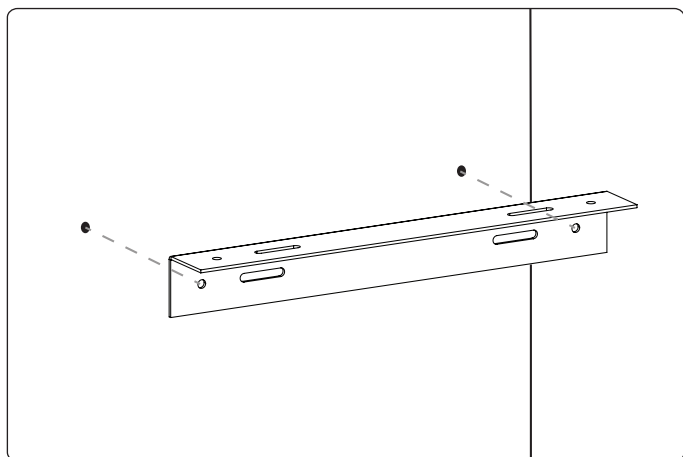
**i** Pièces requises.



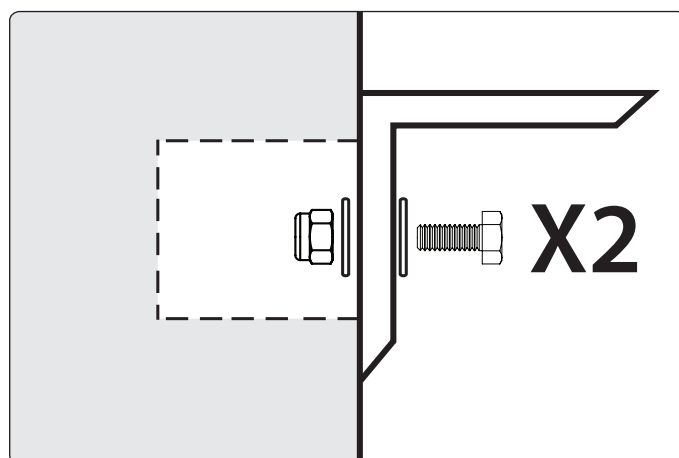
**1** Ouvrez le casier et repérez les trous de chaque côté.



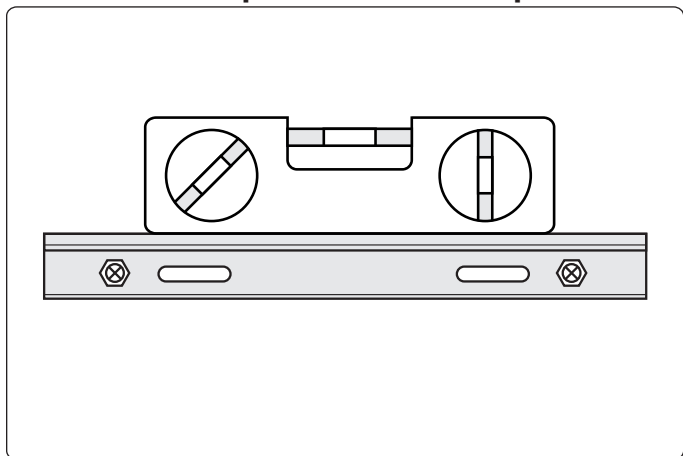
**2** Alignez la bride.



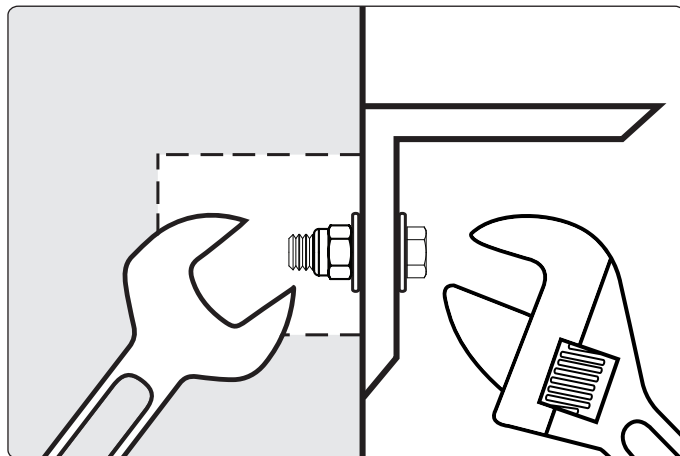
**3** Fixez les écrous, les boulons et les rondelles de frein.



**5** Mettez la bride au niveau et assurez-vous qu'elle est à la même hauteur que l'armoire sur plancher.

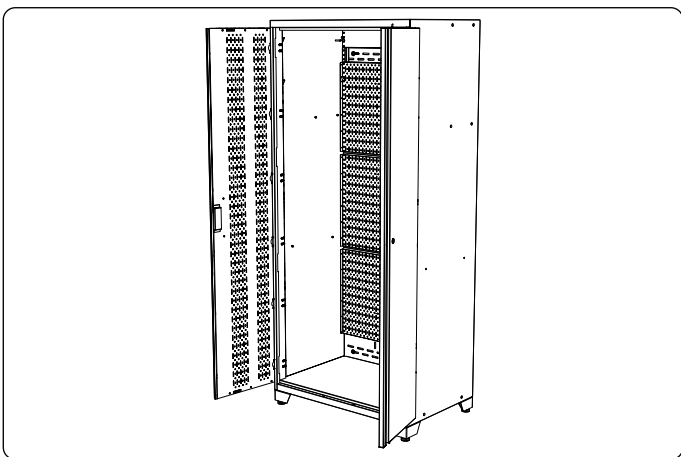


**4** Serrez les écrous et les boulons.

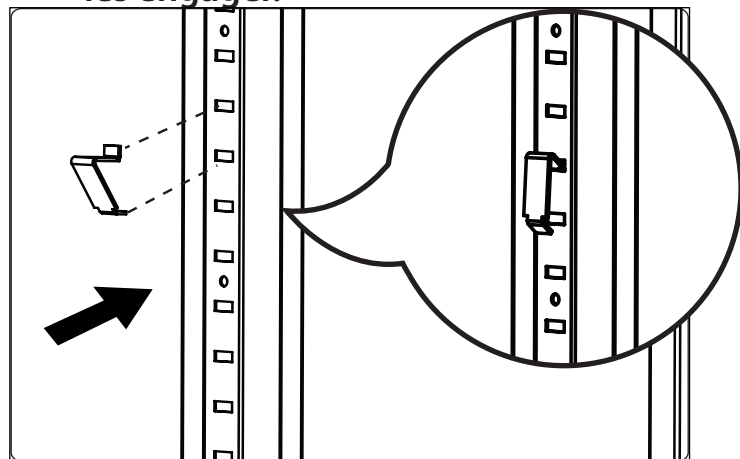


# Insertion de la tige utilitaire et des crochets du casier

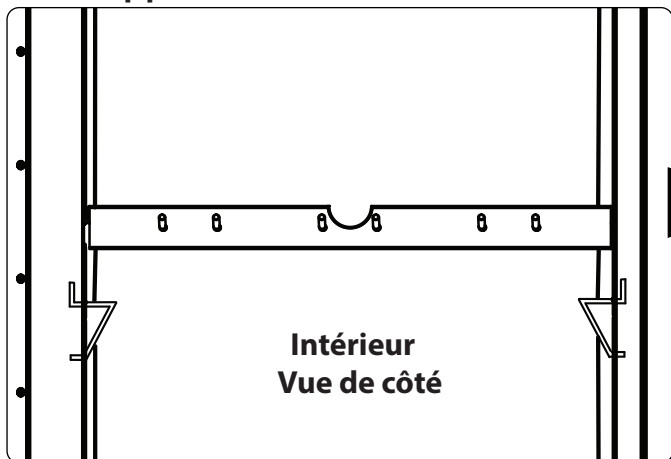
**1** Ouvrez les portes de l'armoire.



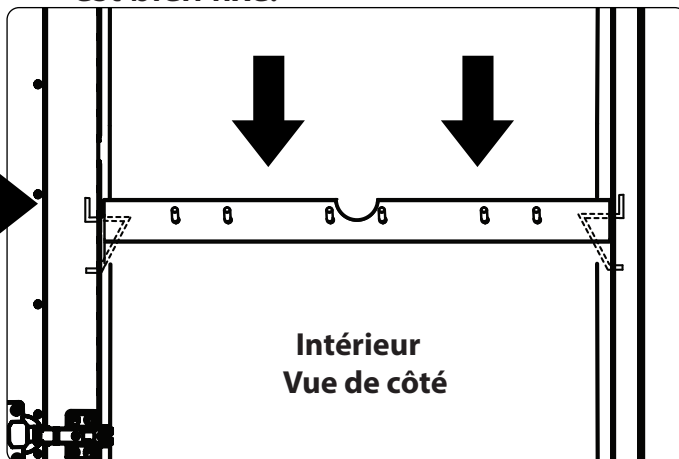
**2** Insérez les attaches dans les fentes situées dans les coins. Tournez pour les engager.



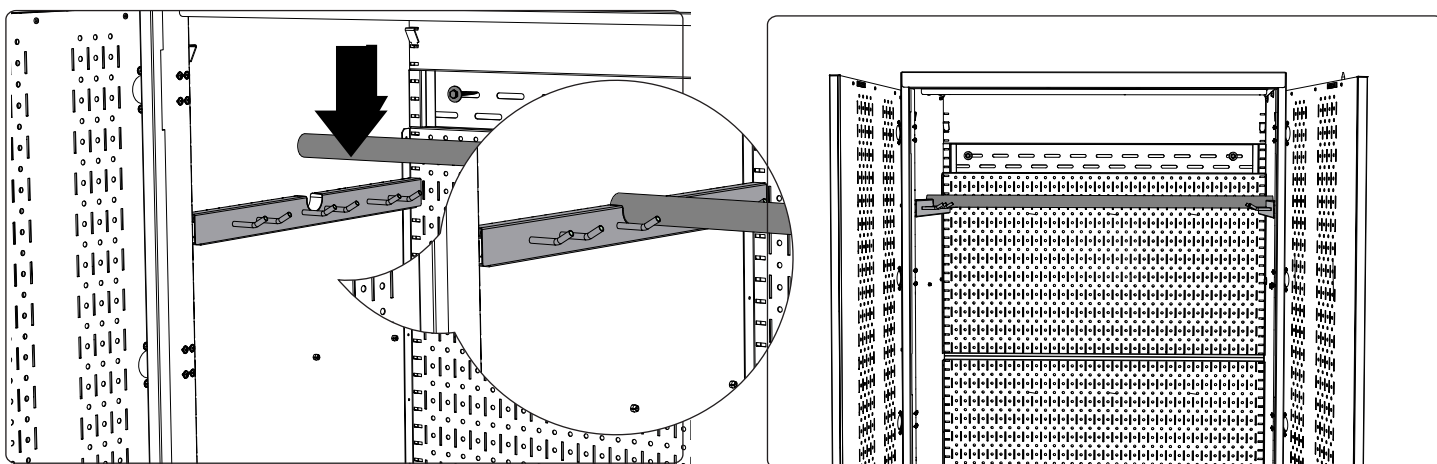
**3** Placez un crochet contre la paroi du casier, au-dessus des supports.



**4** Assurez-vous que la bride arrière glisse derrière les attaches et que le support est bien fixé.

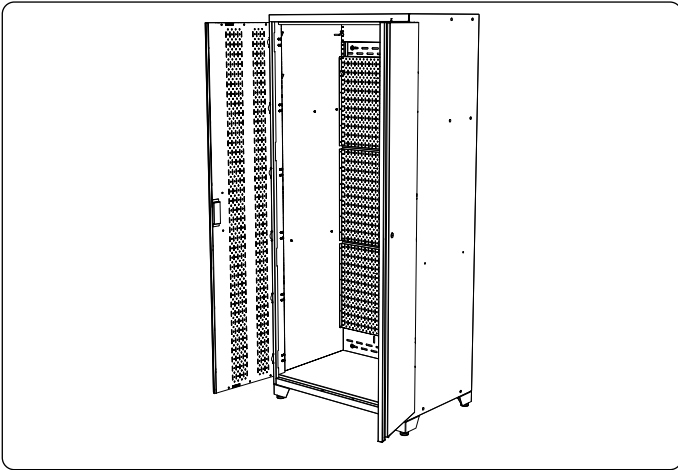


**5** Abaissez la tige dans le berceau.

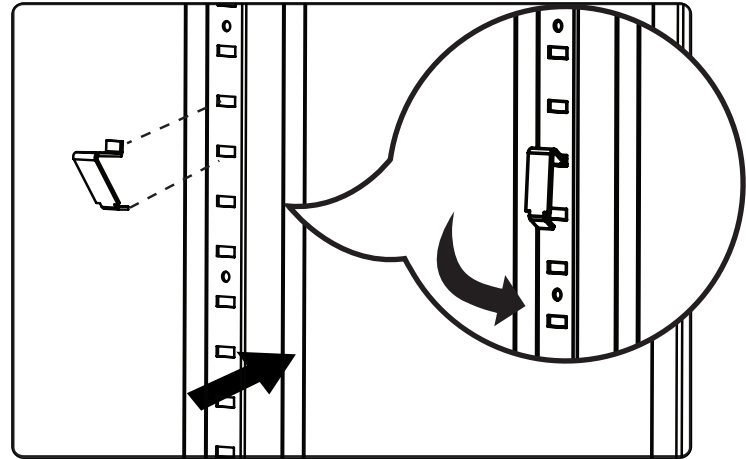


# Insertion de la tablette d'armoire

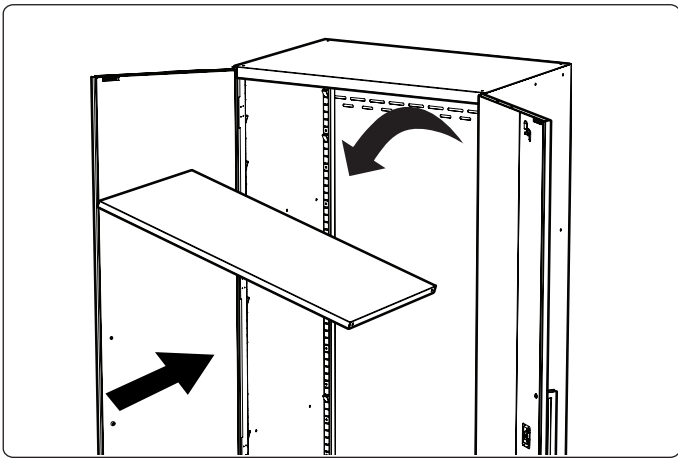
- 1** Assurez-vous que l'armoire est fixée au mur.



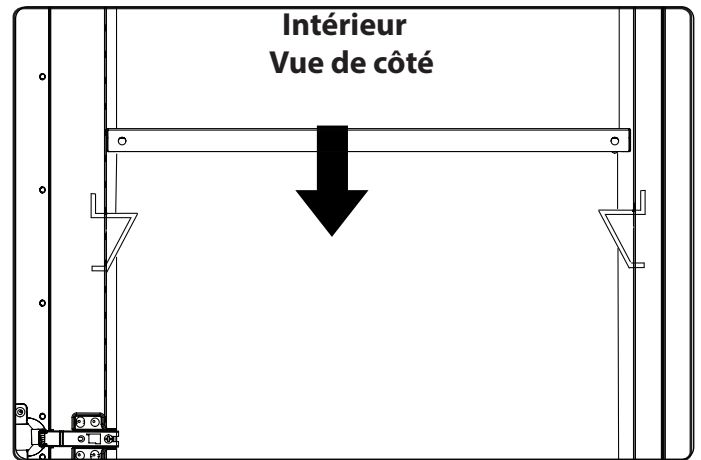
- 2** Insérez des attaches de tablette avec un léger angle et faites-la pivoter jusqu'à une position au niveau.



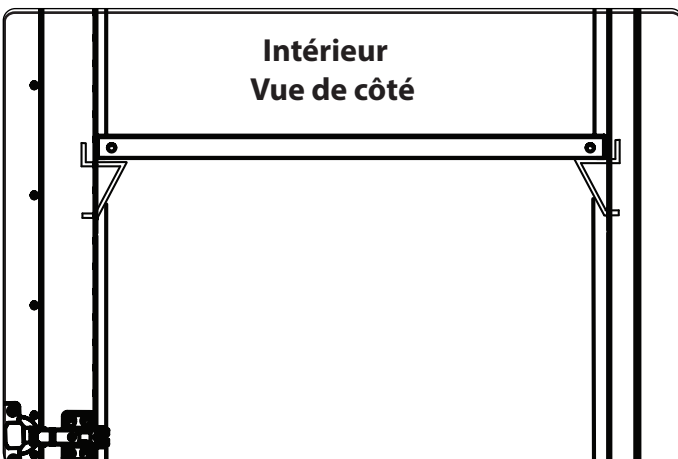
- 3** Insérez la tablette en angle et faites-la pivoter pour la mettre à niveau.



- 4** Abaissez la tablette sur les supports.

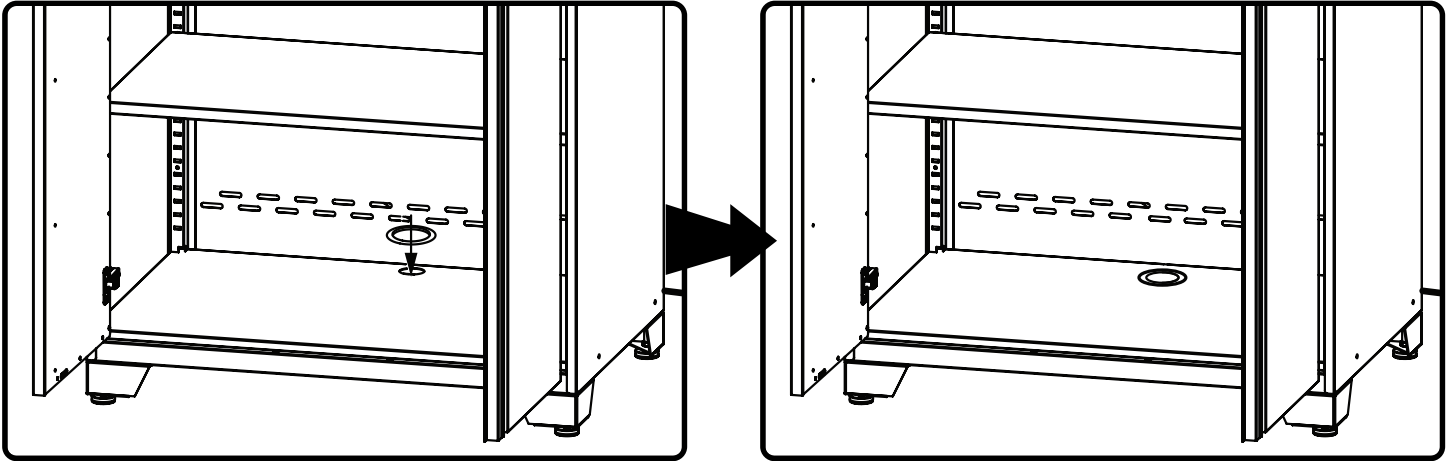


- 5** Posez l'étagère sur les supports.

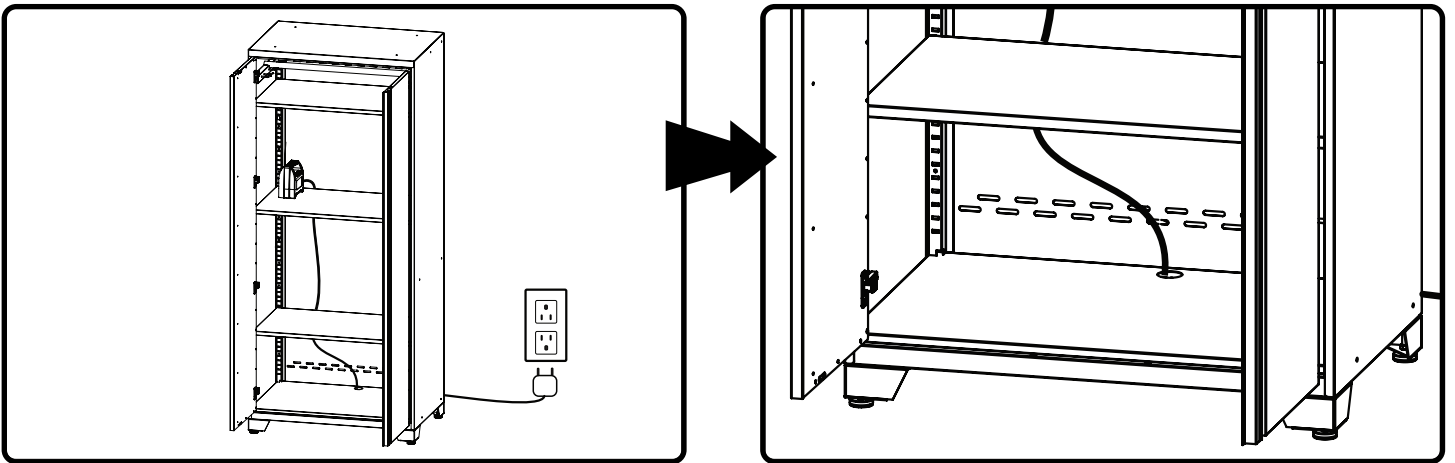


# Accès aux services publics

- 1** Insérez le passe-câble en caoutchouc dans le trou découpé dans le panneau inférieur.

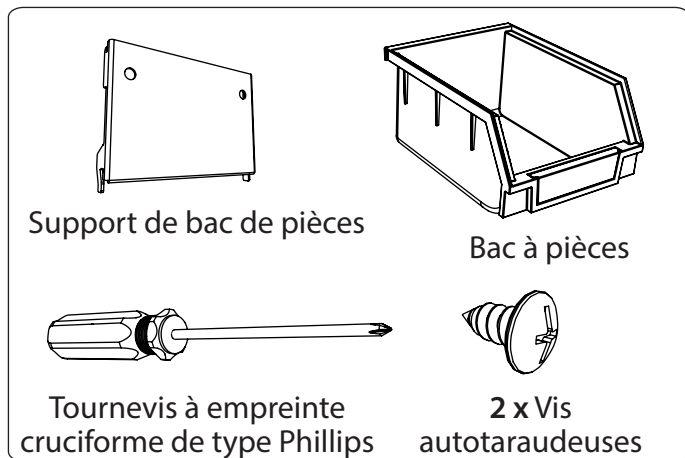


- 2** Le trou utilitaire permet d'accéder facilement à la prise électrique

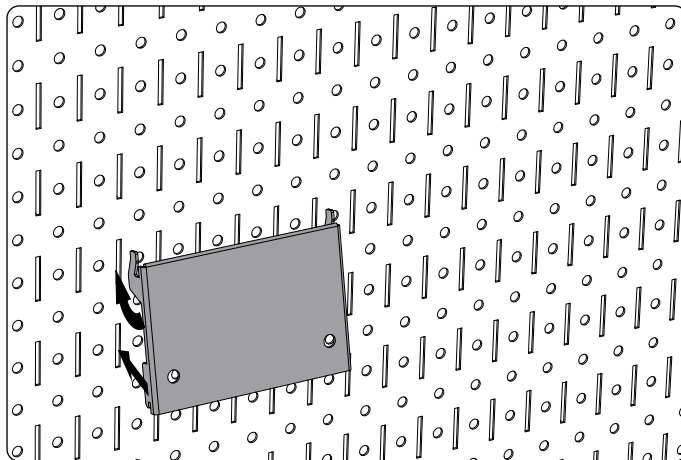


# Installation des accessoires - Bac de pièces et support

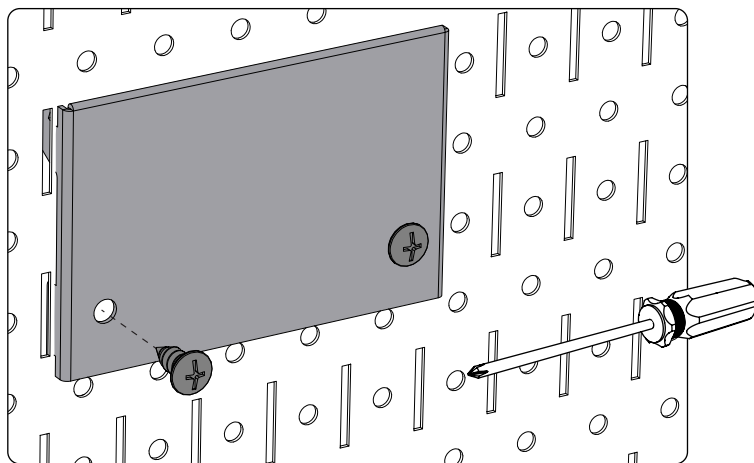
**i** Pièces et outils requis.



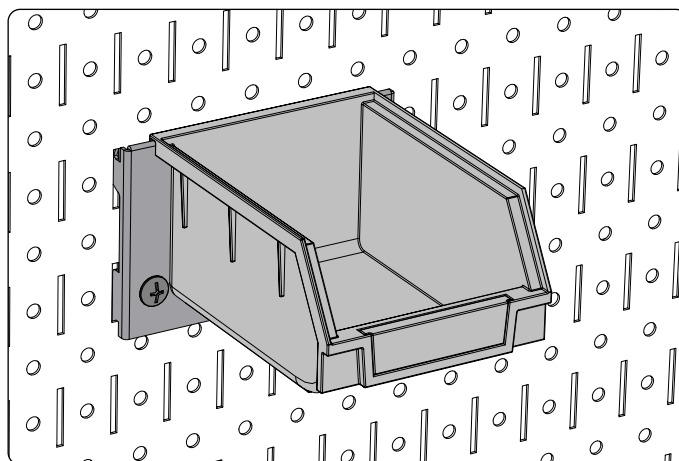
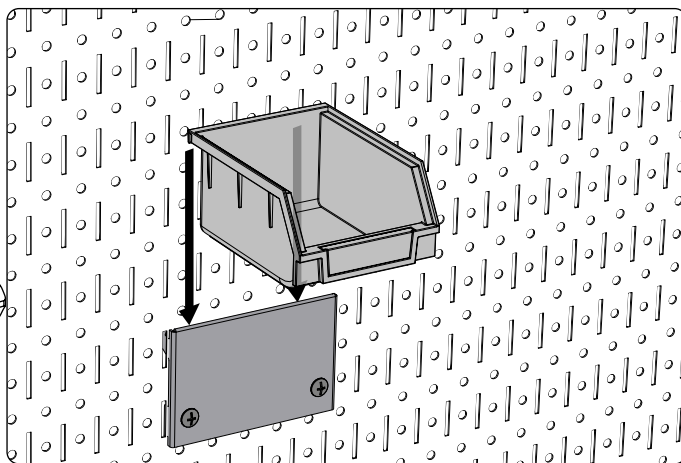
**1** Installez le support dans les fentes prévues à cet effet.



**2** À l'aide de 2 vis autotaraudeuses, fixez soigneusement le support contre la porte/panneau arrière.



**3** Installez le bac à pièces sur le dessus du support.

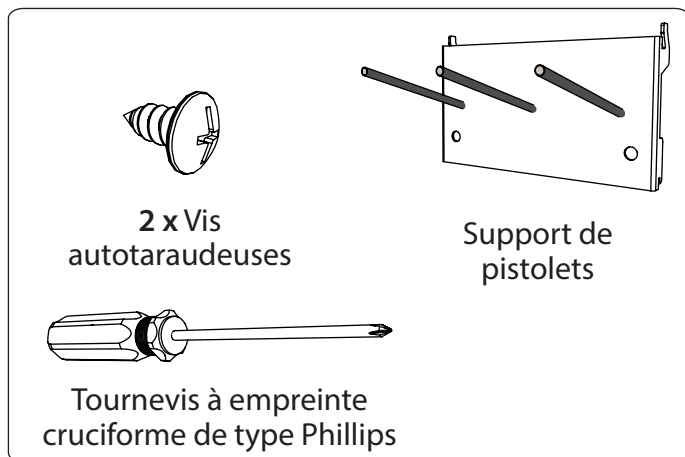




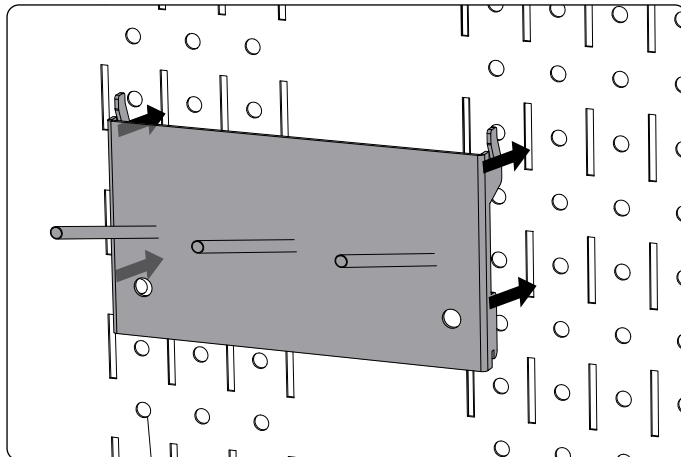
# Installation des accessoires - Support de pistolet

**REMARQUE :** Les supports de pistolets peuvent accueillir des armes de poing de 9 mm

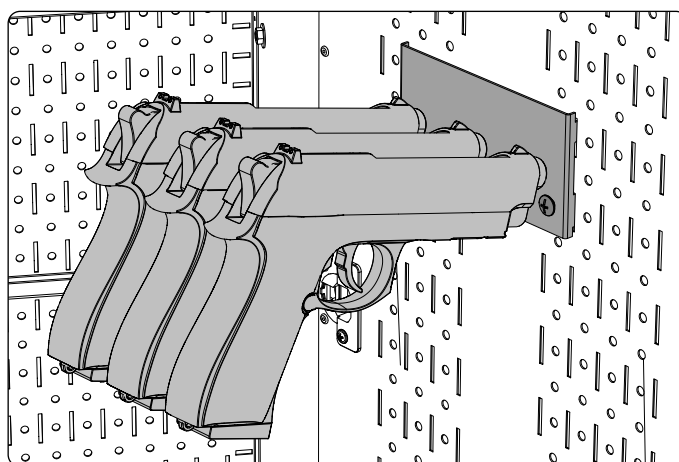
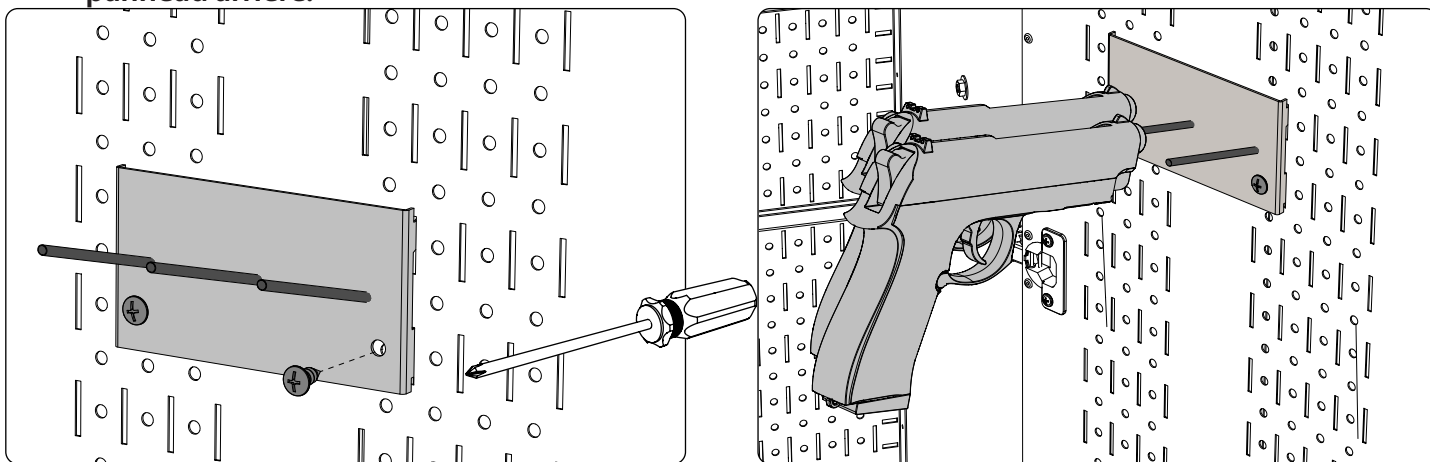
**i** Pièces et outils requis.



**1** Installez le support dans les fentes prévues à cet effet.

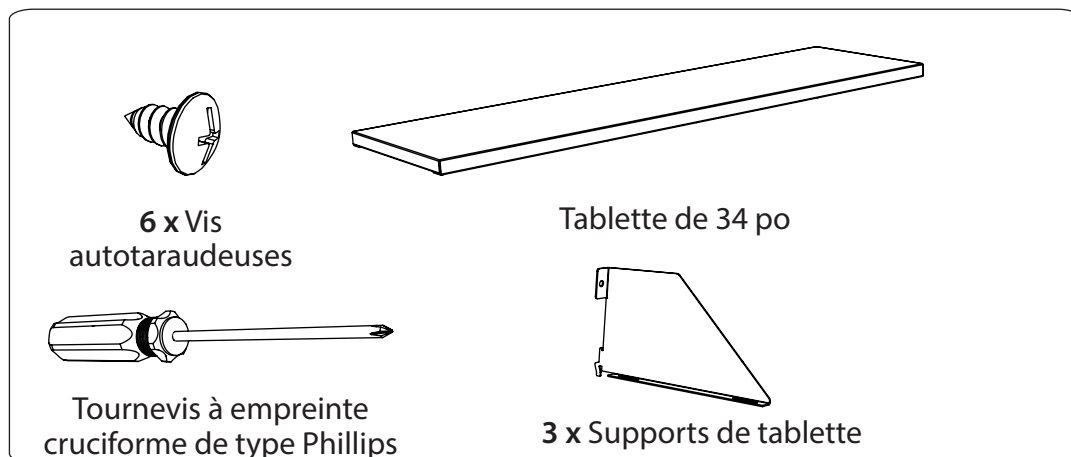


**2** À l'aide de 2 vis autotaraudeuses, fixez soigneusement le support contre la porte/panneau arrière.

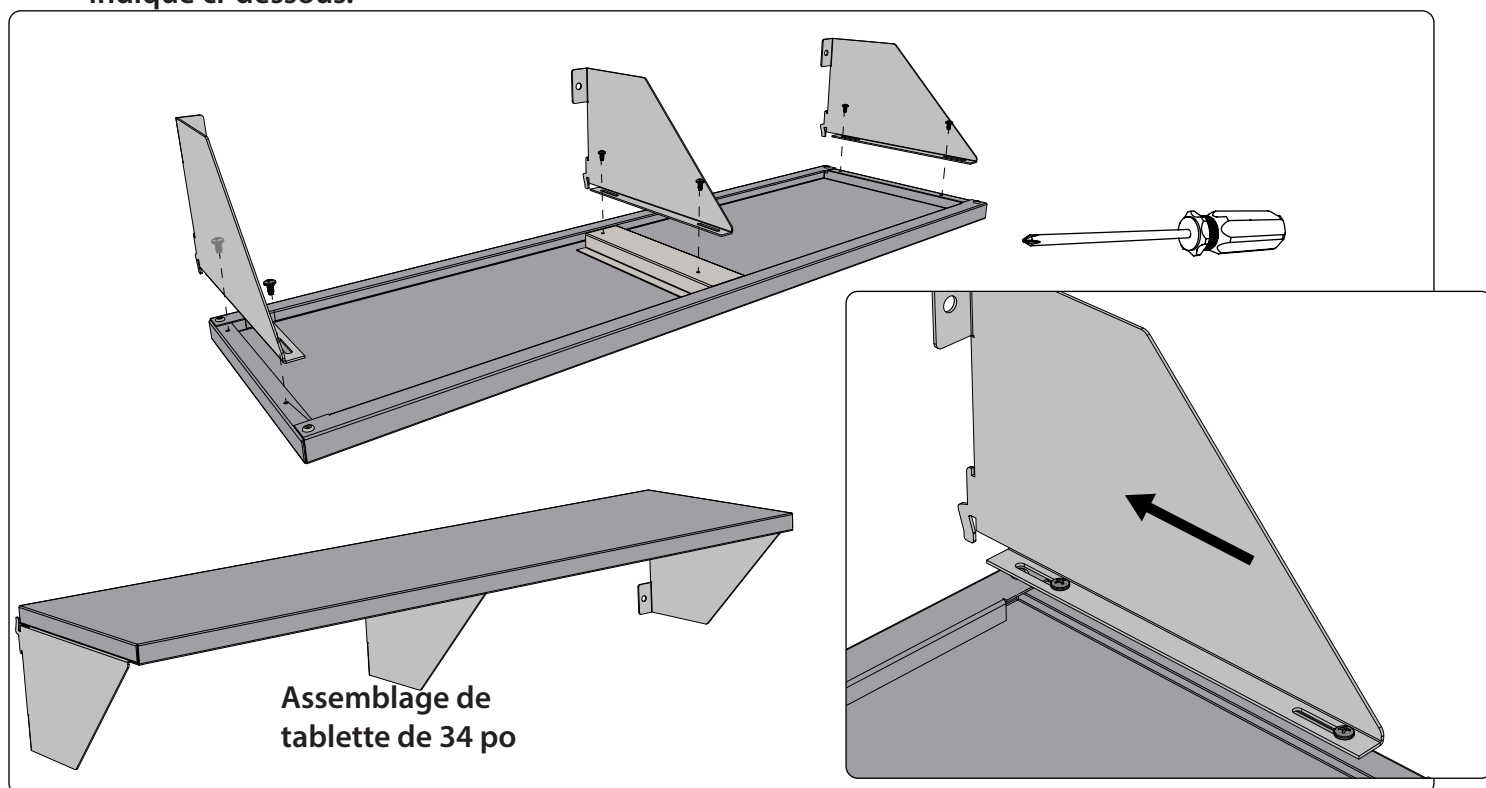


# Accessoires d'installation - Tablette de 34 po

**i** Pièces et outils requis.

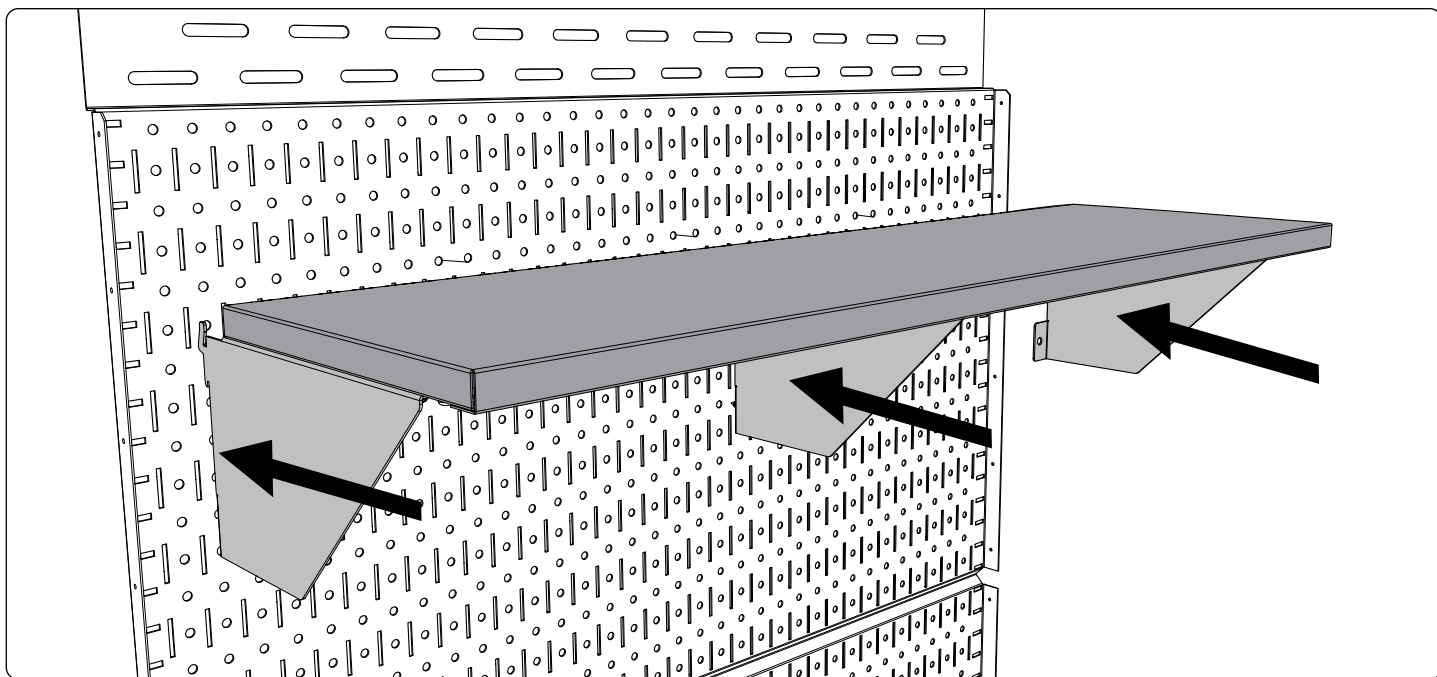


**1** Retournez la tablette et fixez les supports de tablette à l'aide de vis autotaraudeuses. Installez sans serrer les vis autotaraudeuses et veillez à faire glisser tous les supports vers l'arrière, comme indiqué ci-dessous.

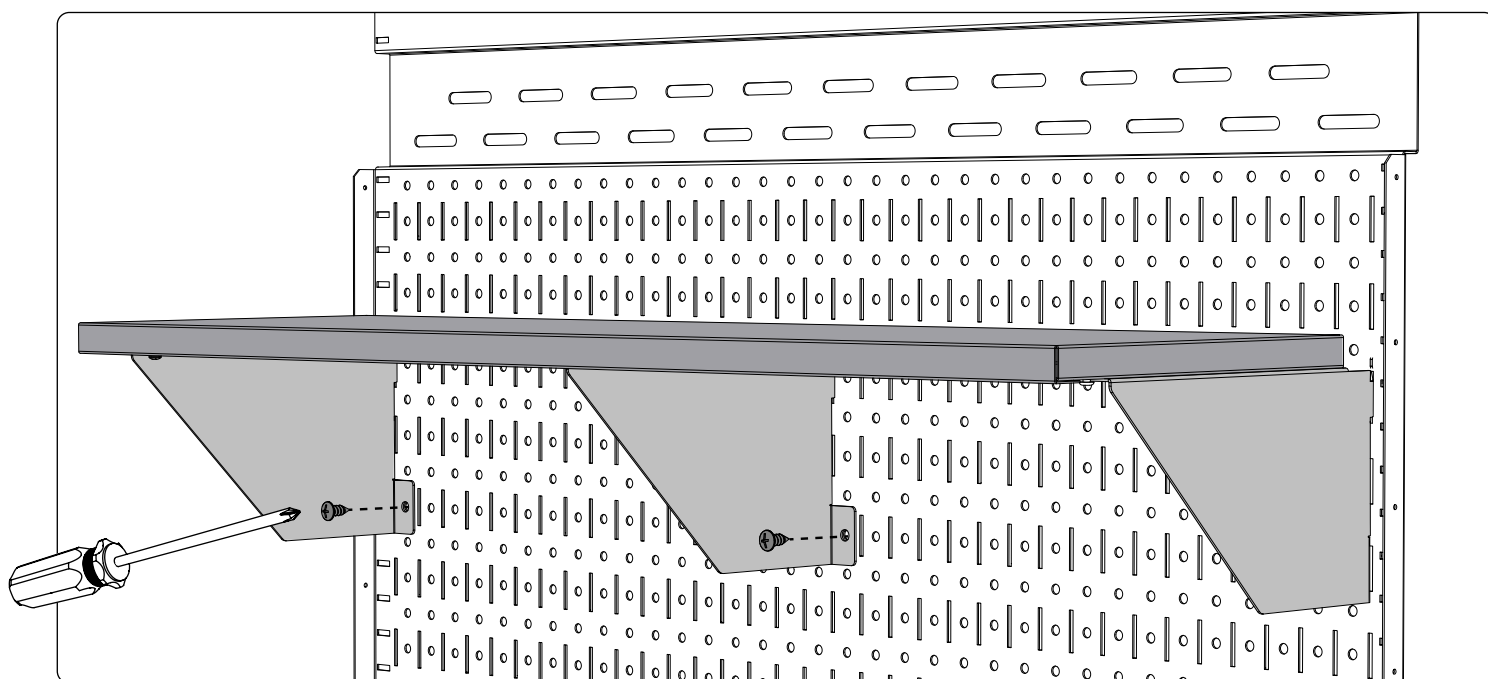


# Installation des accessoires - Tablette de 34 po

- 2** Installez l'ensemble de tablette sur le panneau arrière de l'armoire dans les fentes prévues à cet effet.

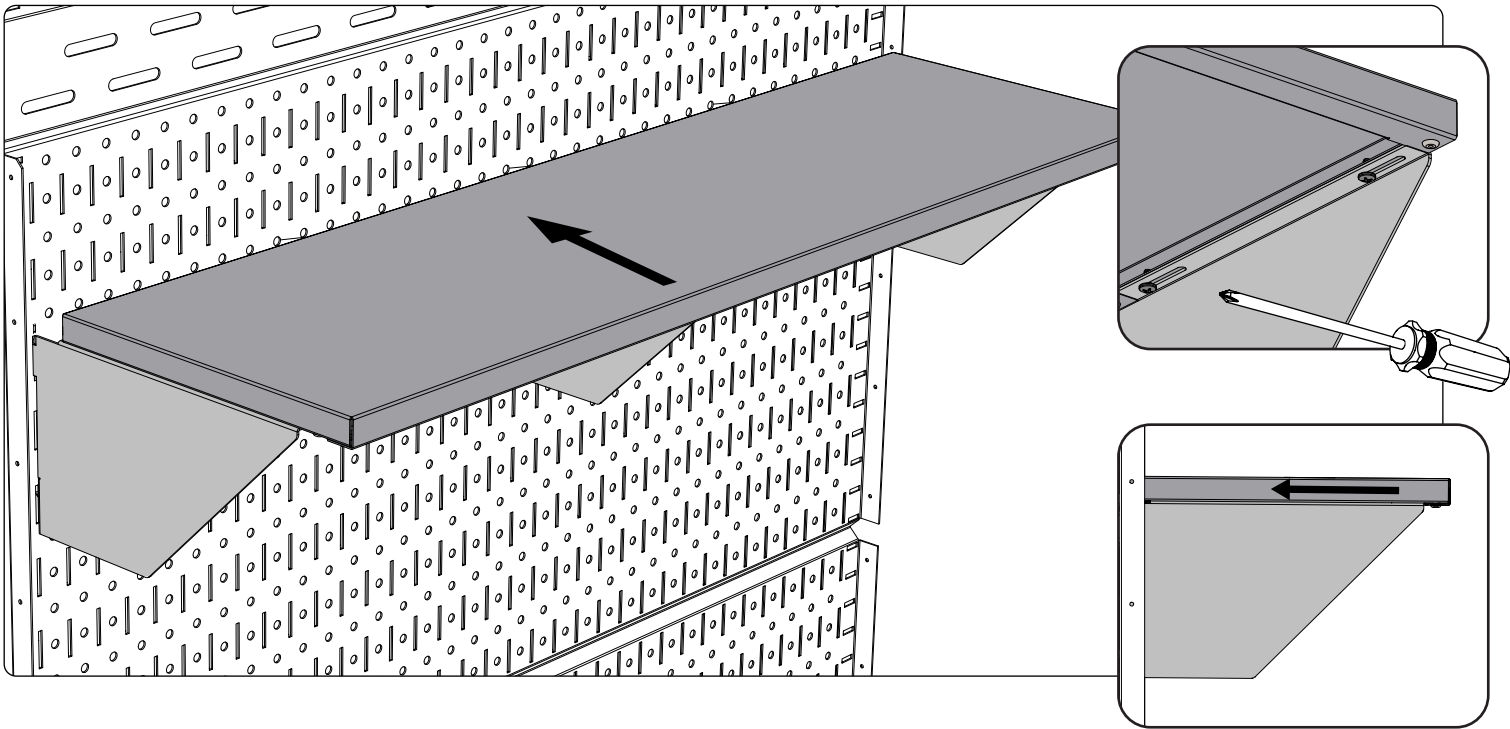


- 3** À l'aide de vis autotaraudeuses, fixez soigneusement le support contre le panneau arrière de l'armoire.



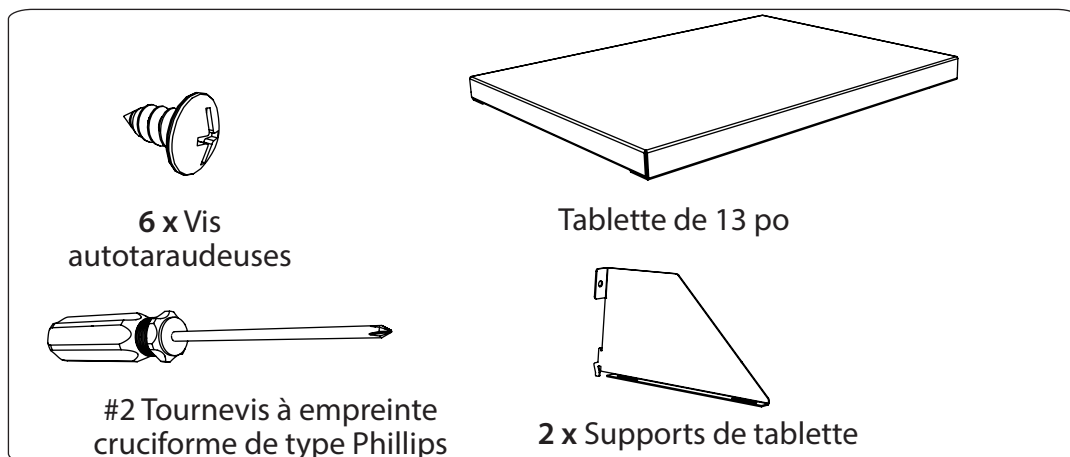
# Installation des accessoires - Tablette de 34 po

- 4** Faites glisser la tablette vers le panneau arrière et serrez les vis autotaraudeuses.

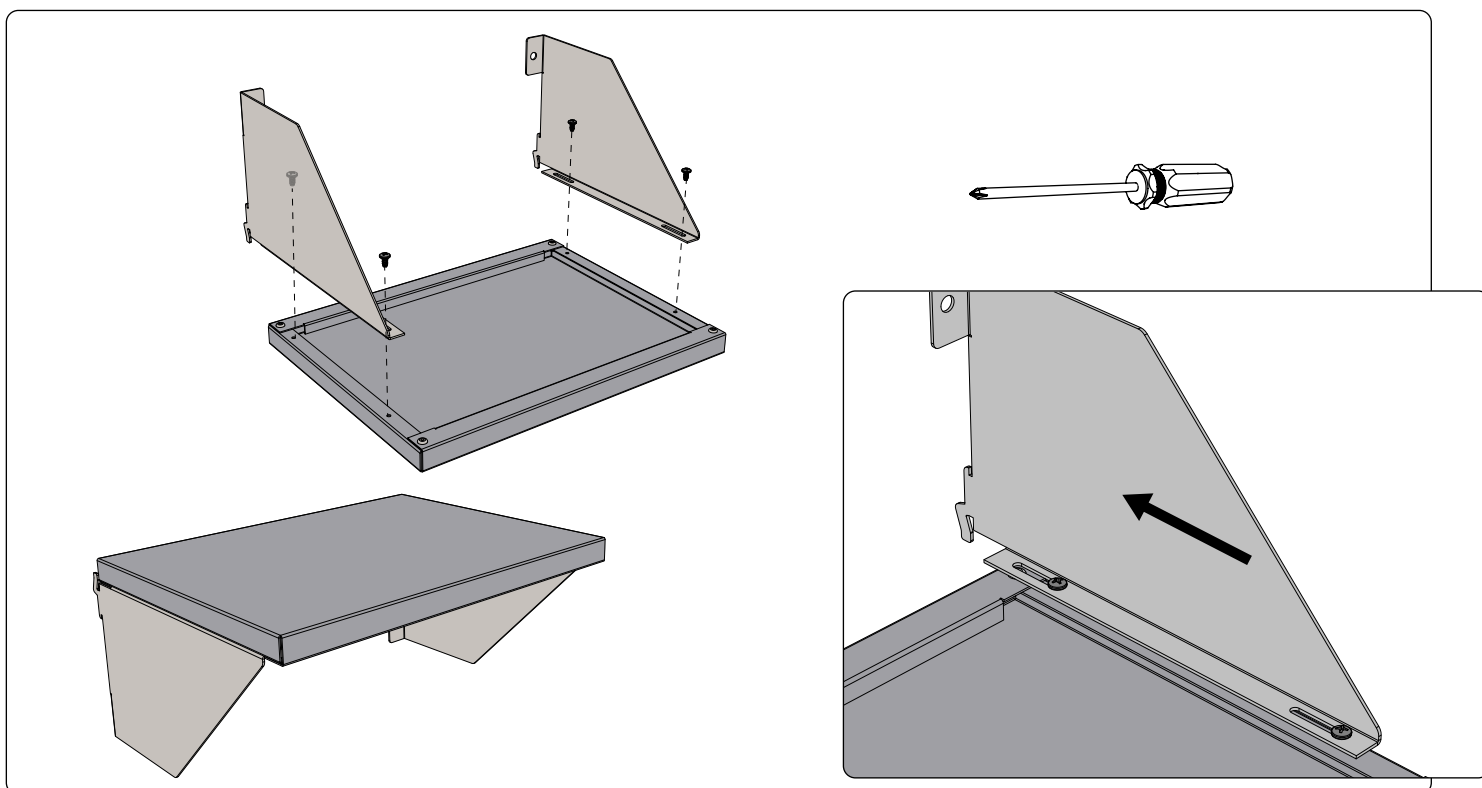


# Installation des accessoires - Tablette de 13 po

**i** Pièces et outils requis.

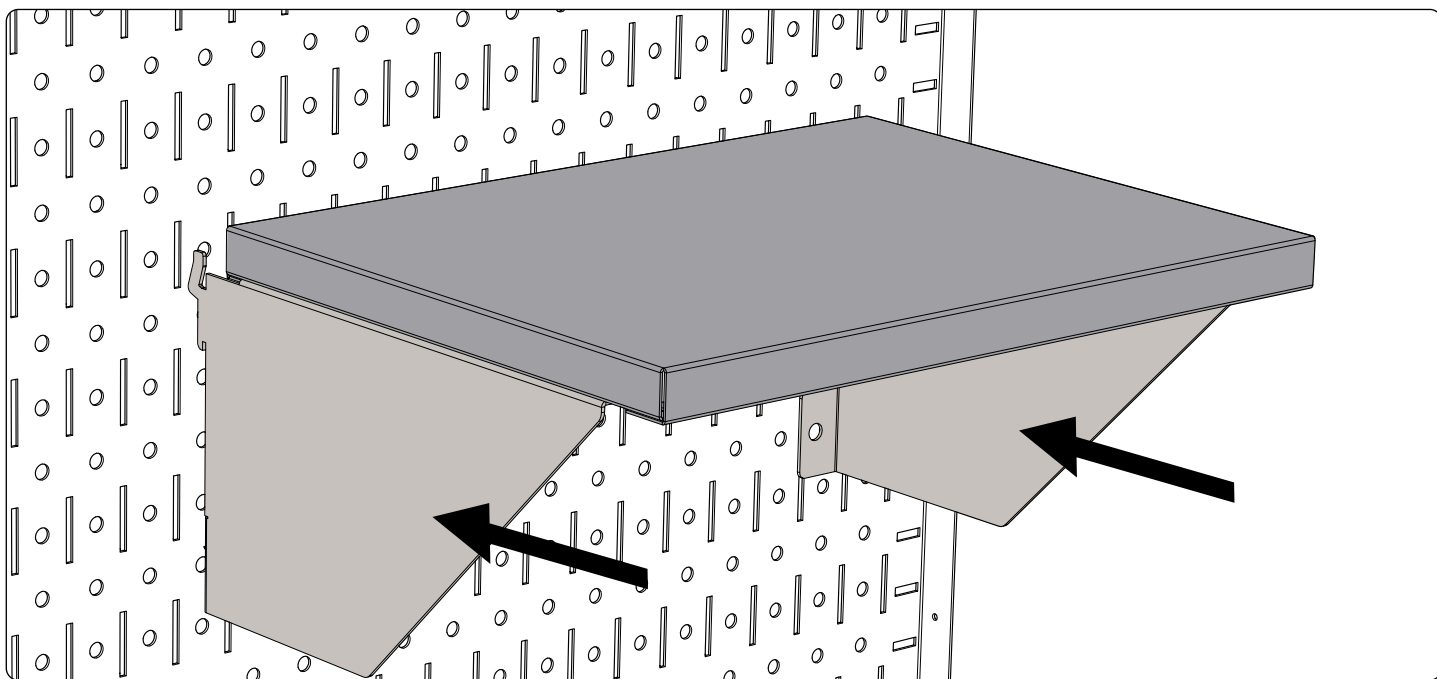


**1** Retournez la tablette et fixez les supports de tablette à l'aide de vis autotaraudeuses. Installez sans serrer les vis autotaraudeuses et veillez à faire glisser tous les supports vers l'arrière, comme indiqué ci-dessous.

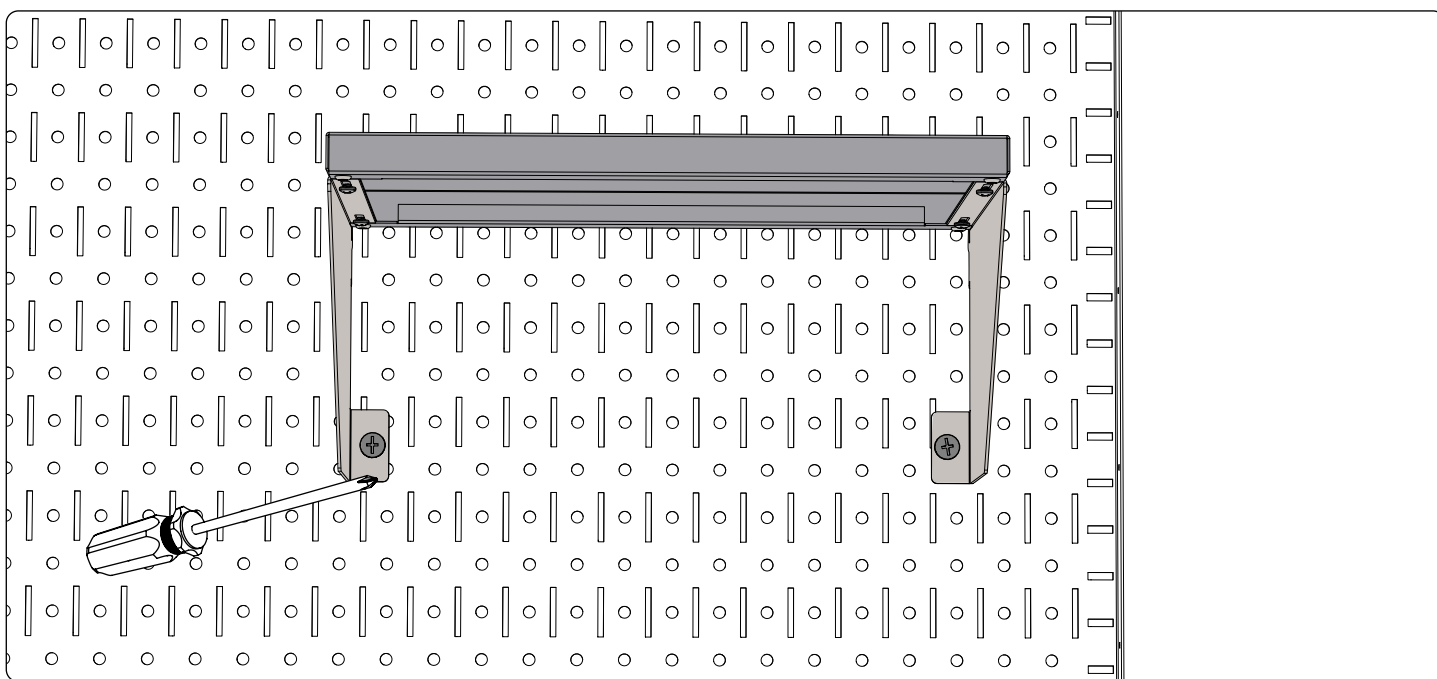


# Installation des accessoires - Tablette de 13 po

- 2** Installez l'ensemble de tablette sur le panneau arrière de l'armoire dans les fentes prévues à cet effet.

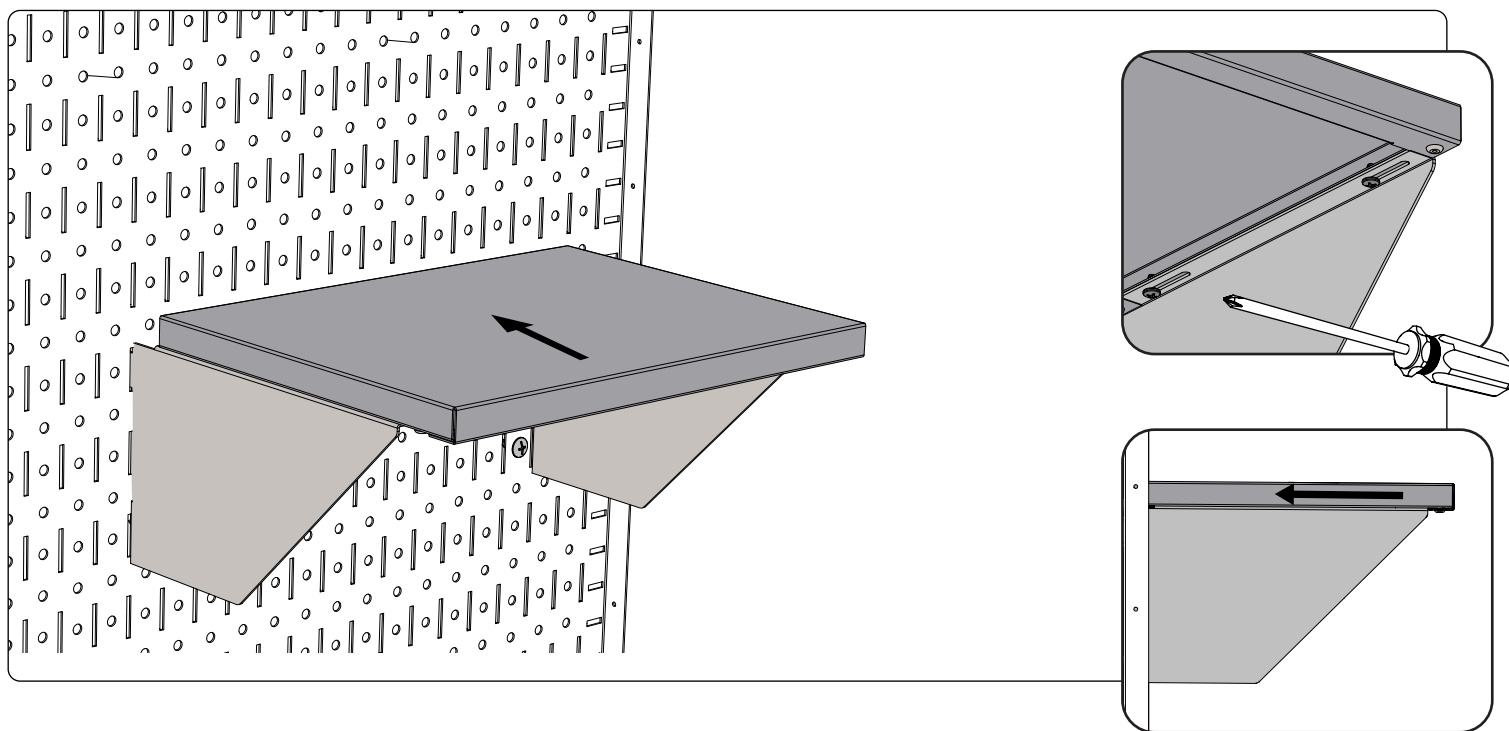


- 3** À l'aide de vis autotaraudeuses, fixez soigneusement le support contre le panneau arrière de l'armoire.



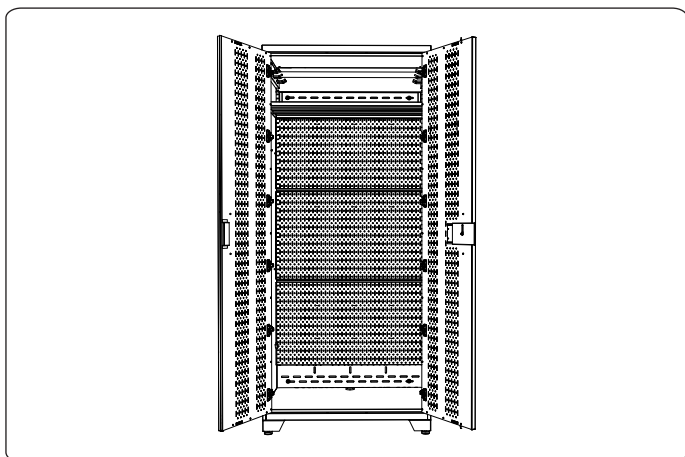
# Installation des accessoires - Tablette de 13 po

- 4** Faites glisser la tablette vers le panneau arrière et serrez les vis autotaraudeuses.

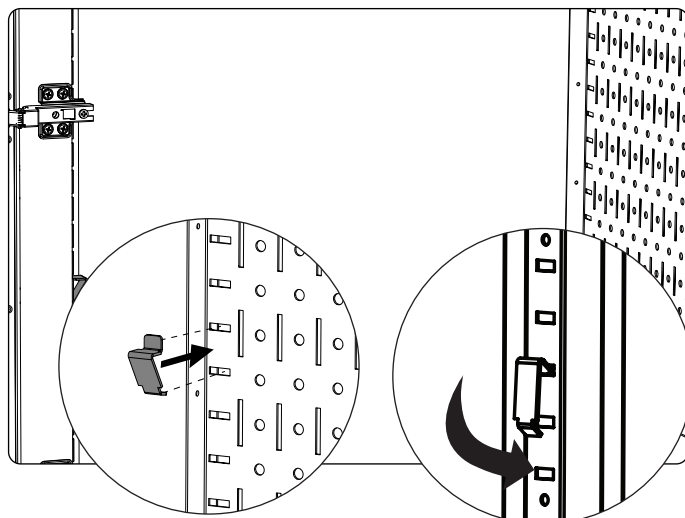


# Installation des accessoires - Tablette de stockage

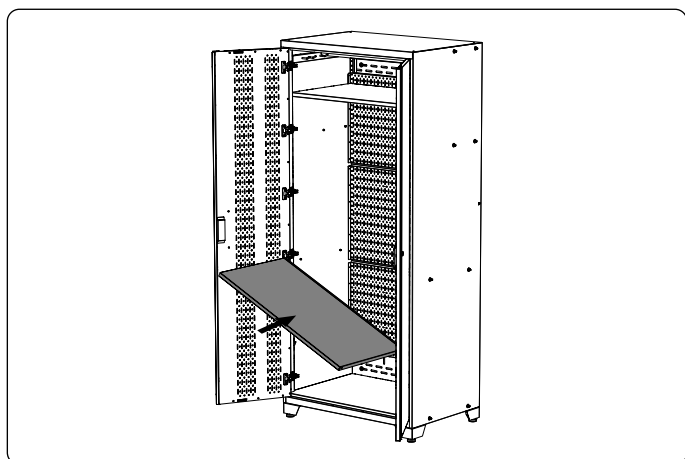
- 1** Ouvrez les portes de l'armoire



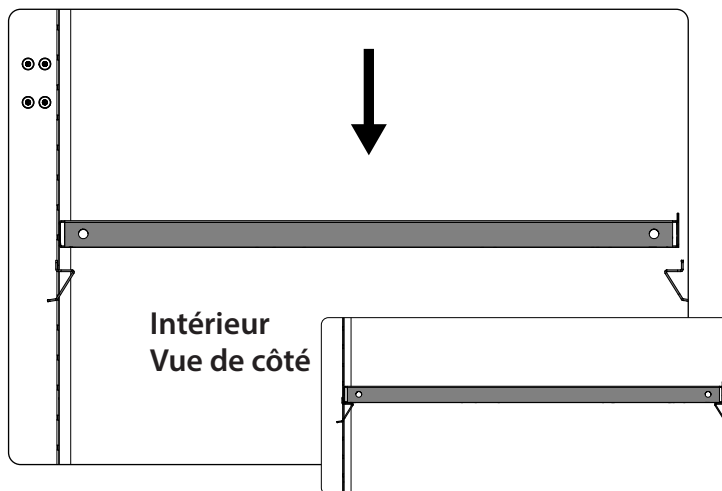
- 2** Insérez l'attache de tablette légèrement en angle et tournez-la en position horizontale.



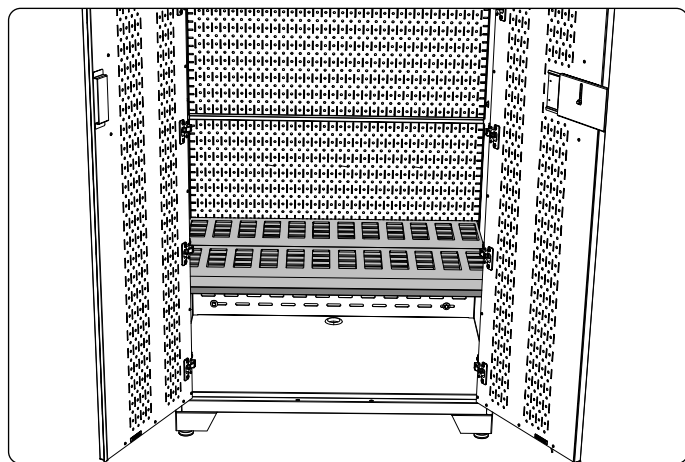
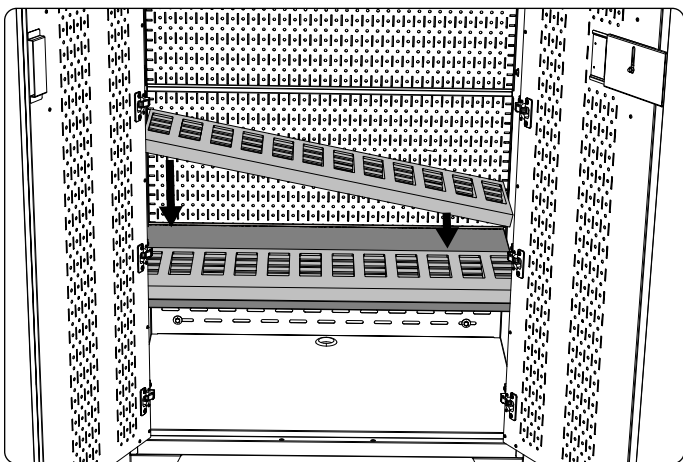
- 3** Insérez la tablette de stockage à un angle et faites-la pivoter pour la mettre à niveau.



- 4** Abaissez le support de stockage et déposez-le sur les supports.



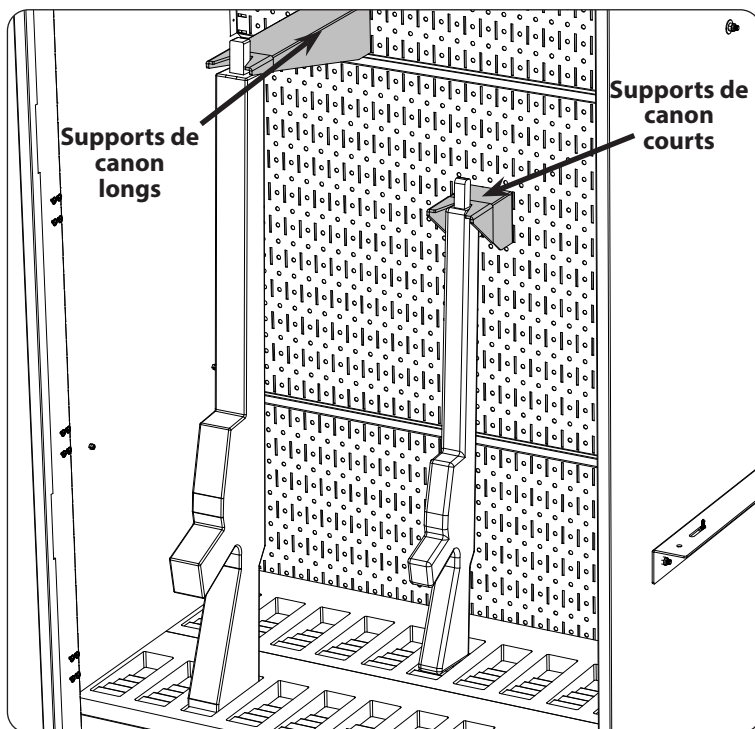
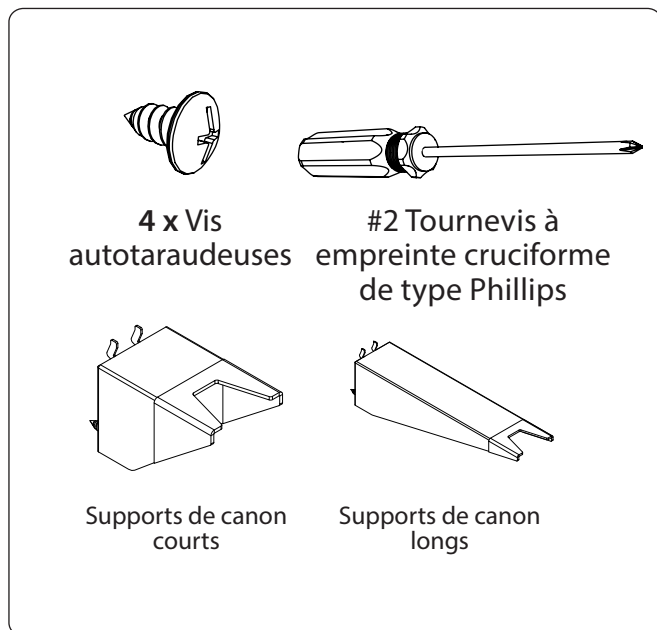
- 5** Placez les morceaux de mousse du motif souhaité sur la tablette.



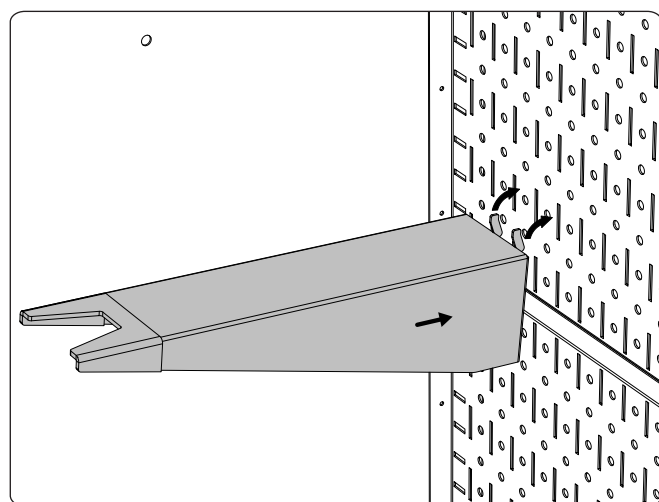


# Installation des accessoires - Supports de canon individuels

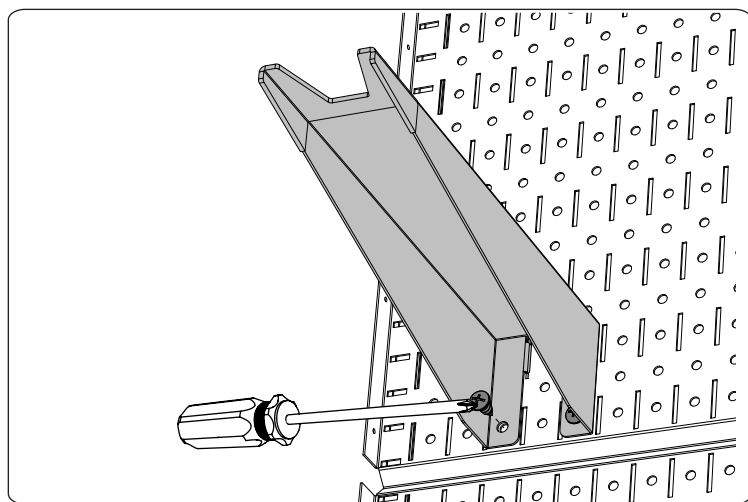
**i** Pièces et outils requis.



**1** Installez le support de canon sur la fente prévue à cet effet.

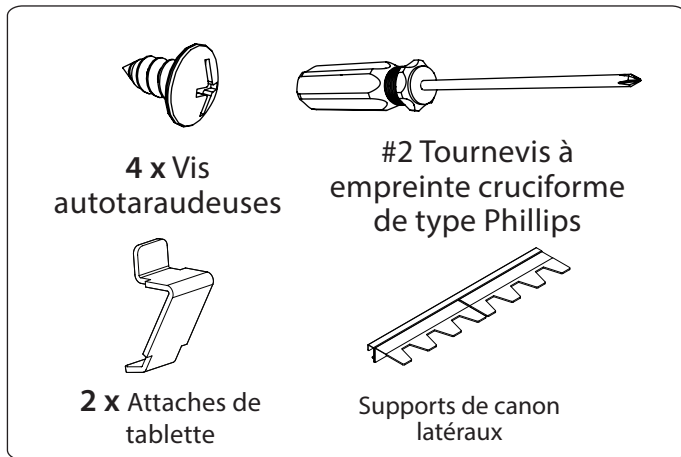


**2** À l'aide de 2 vis autotaraudeuses, fixez soigneusement le canon contre le panneau arrière.

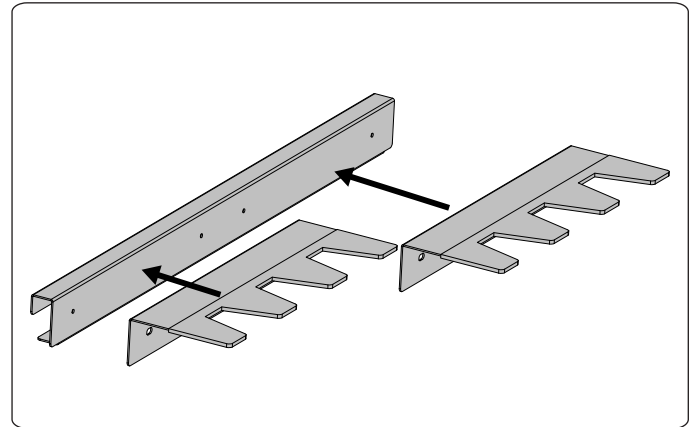


# Installation des accessoires - Supports de canon latéraux

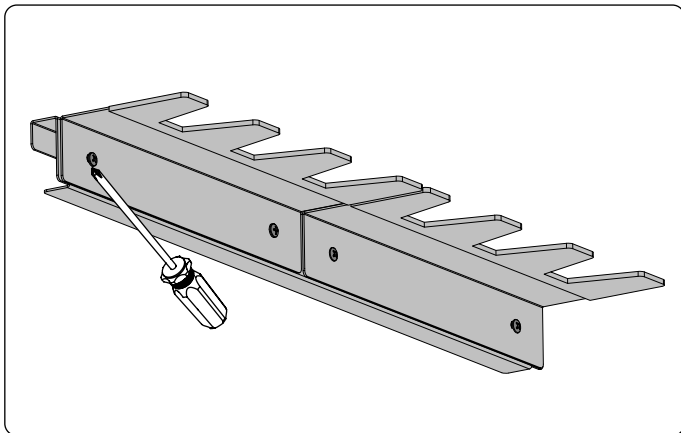
**i** Pièces et outils requis.



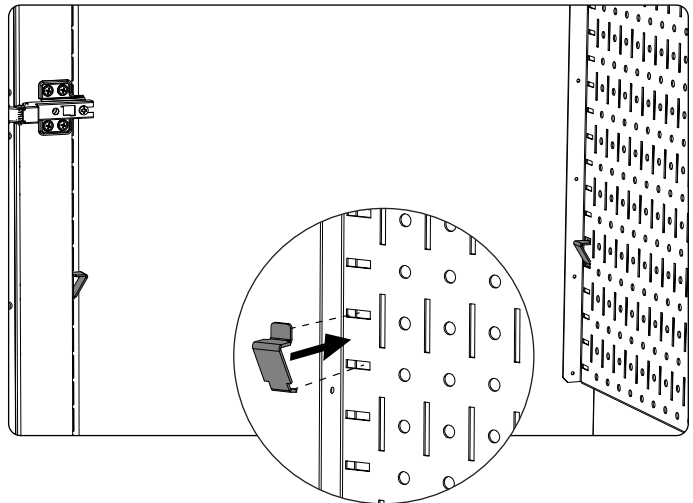
1 Installez les supports de canon latéraux sur la plaque d'appui fournie. Un ou deux canons peuvent être fixés à la plaque d'appui en fonction de la disposition des fusils pour ranger trois ou six fusils.



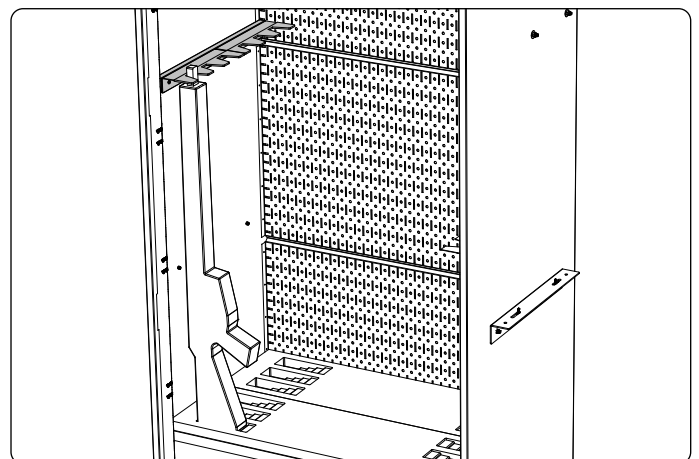
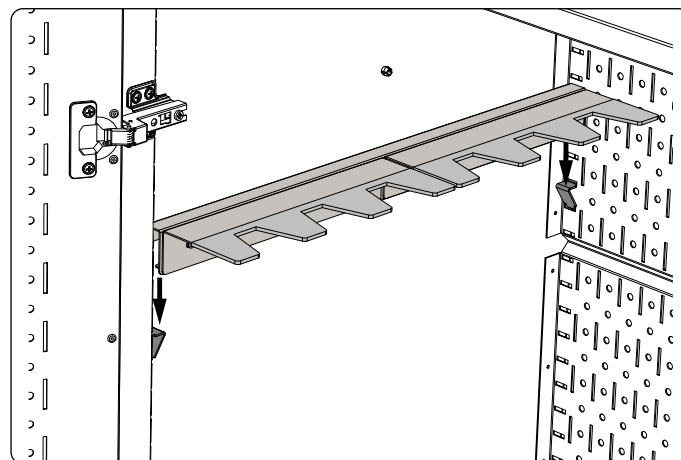
**2** Utilisez des vis autotaraudeuses pour fixer les supports à la plaque d'appui.



**3** Insérez l'attache de tablette légèrement en angle et tournez-la en position horizontale.



**4** Abaissez le support de canon latéral sur les attaches de tablette.



**Nous vous remercions d'avoir fait l'achat d'un produit NewAge!**  
Veuillez nous appeler ou nous visiter en ligne si vous avez des questions.