

Pro 3.0 Series Cabinetry

INSTALLATION GUIDE



Warning: Excessive weight hazard!

Use two or more people to move, assemble, or install cabinets and locker to avoid back injury. Do not leave children unattended near cabinets. High risk of tipping if cabinets are installed incorrectly: securely attach cabinets to the wall to avoid serious injury. For assistance, call 1.877.306.8930; e-mail at info@newageproducts.com.



ATTENTION: Is your cabinet damaged? Need help or spare parts? For fastest service, contact NewAge Products at 1-877-306-8930; or support@newageproducts.com. Do not return to the retailer.

Index

NewAge Products Inc. Garage Series Manufacturer Warranty	3
Unpacking	4
Tools Needed	4
Parts Supplied	5
Parts supplied in Hardware Pack	6
Individual Parts	6
Worktops, Guidelines and Weight Capacity	7
Installation options for Cabinets	8
Floor Mount Installation	9
Wall Mount	10
Corner Cabinet Installation	11
Hanging Cabinets on Wall	12
Securing Cabinets on Wall	16
Fastening Cabinets	17
Stacking Cabinets	18
Mounting the Worktop	19
Installing Worktop Side Support Bracket	20
Installing Corner Worktop	21
Installing the Feet	22
Installing the Casters	23
Installing the Drawers	24
Mounting the fan onto Extended Lockers (Optional)	25
Inserting Locker Utility Rod and Hangers	27
Inserting the Shelves	28
Attach Light Valence to the Wall Cabinets	29
Utility Access	30

NEWAGE PRODUCTS INC. PRO SERIES MANUFACTURER WARRANTY

PROOF OF PURCHASE IS REQUIRED TO OBTAIN WARRANTY SERVICE.

Please have the following information available when you call our customer service team:

- Name, address and telephone number
- Product Name / SKU Number
- A clear, detailed description of the problem
- Proof of purchase including order number

Register your NewAge Products purchase online for quicker customer assistance and access to exclusive benefits

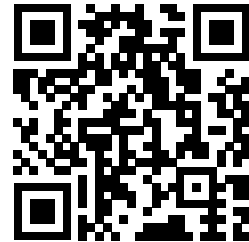
Visit www.newageproducts.com/register/

Warranty Claim

For warranty service please contact NewAge Products at **1-877-306-8930**; or support@newageproducts.com

Please review all warranty details below, prior to contacting NewAge Products for a claim.

Scan the QR code on the right to access our support page or visit www.newageproducts.com/contact-us/



Scan this QR code with the camera on your mobile device to visit the NewAge Products Support Hub

www.newageproducts.com/support-hub/

LIFETIME LIMITED WARRANTY

WHAT IS COVERED

When this product is installed, operated and maintained according to the instructions attached to or furnished with the product, NewAge Products Inc. will replace the defective product or parts if the part fails as a result of defective materials or workmanship for the warranty duration from the purchase date of the product.

WHAT IS NOT COVERED

1. Service calls to correct the installation of any NewAge products or to instruct you how to use or install them.
2. Damage resulting from products caused by accident, misuse, abuse, fire, flood, improper installation, acts of God, neglect, modification or mishandling.
3. Products damaged by improperly loading beyond the specified maximum weight capacity outlined in the instructions provided with the product.
4. Repairs or replacement when your product is used in other than normal, residential use, such as a commercial environment, or handled in anyway inconsistent with the installation instructions included with the product.
5. Cosmetic damage, including scratches, dings, dents or cracks in paint that do not affect the structural or functional capability of the product.
6. Surfaces damaged due to improper use of chemicals, and detergents.
7. Replacement parts for NewAge products outside Canada and the United States.
8. Loss due to theft.
9. Damage resulting from use of the product contrary and not in accordance to the instruction manual.
10. Any labor costs during the warranty period.
11. Replacement keys or locking mechanisms.

DISCLAIMER OF IMPLIED WARRANTIES

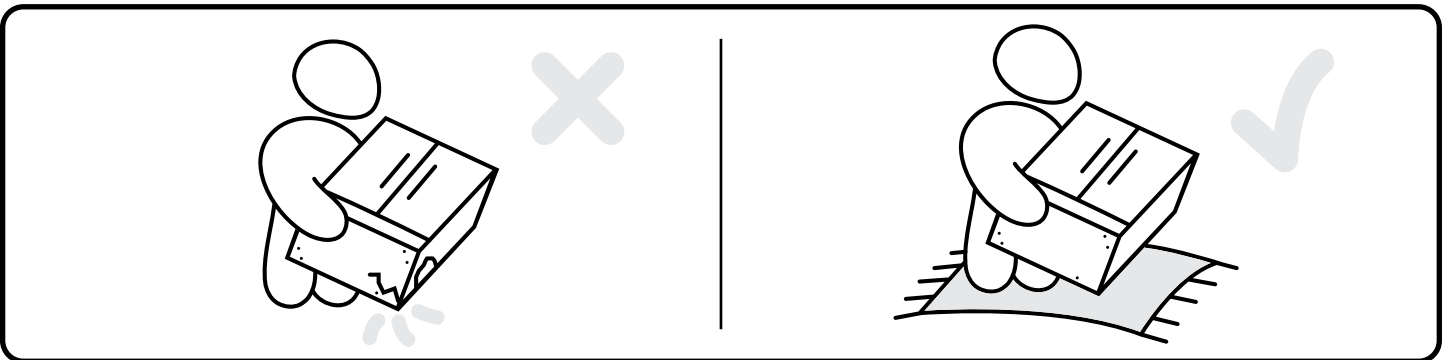
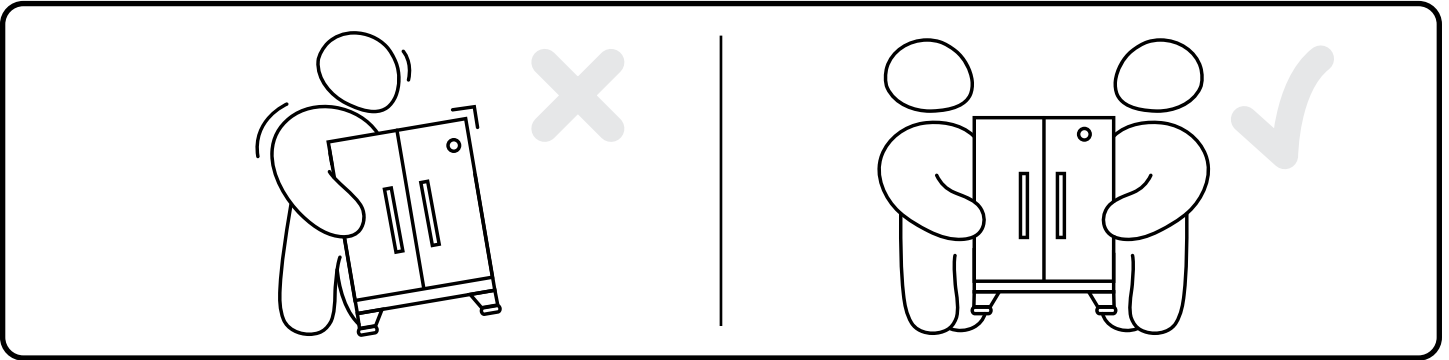
IMPLIED WARRANTIES, INCLUDING TO THE EXTENT APPLICABLE WARRANTIES OF MERCHANTABILITY OR FITNESS FOR A PARTICULAR PURPOSE, ARE EXCLUDED TO THE EXTENT LEGALLY PERMISSIBLE. ANY IMPLIED WARRANTIES THAT MAY BE IMPOSED BY LAW ARE LIMITED TO ONE YEAR, OR THE SHORTEST PERIOD ALLOWED BY LAW. THIS WARRANTY IS LIMITED TO THE ORIGINAL BUYER. Some states and provinces do not allow limitations on the duration of implied warranties of merchantability or fitness, so this limitation may not apply to you. This warranty gives you specific legal rights, and you also may have other rights that vary from state to state or province to province.

LIMITATION OF REMEDIES; EXCLUSION OF INCIDENTAL AND CONSEQUENTIAL DAMAGES

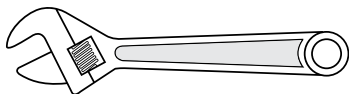
YOUR SOLE AND EXCLUSIVE REMEDY UNDER THIS LIMITED WARRANTY SHALL BE PRODUCT REPAIR OR REPLACEMENT AT OUR DISCRETION AS PROVIDED HEREIN. NEWAGE SHALL NOT BE LIABLE FOR INCIDENTAL OR CONSEQUENTIAL DAMAGES. Some states and provinces do not allow the exclusion or limitation of incidental or consequential damages, so these limitations and exclusions may not apply to you. This warranty gives you specific legal rights, and you also may have other rights that vary from state to state or province to province.

Unpacking

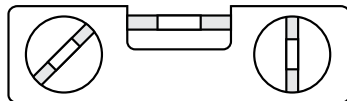
- Begin by placing the package on a covered flat surface
- Remove all cardboard, foam packaging material and clear plastic bags.
- Dispose / recycle all packaging materials.
- Verify all the contents in the box and gather the required tools. See "Tools Required", and "Parts Supplied" lists.



Tools Needed



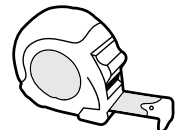
1 x Adjustable wrench



1 x 12" Magnetic Leveler



1 x Stud Finder



1 x Tape Measure

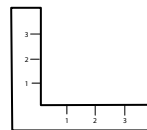


1 x 7/16" Socket driver wrench

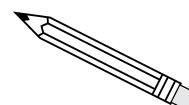
1 x 8mm" Socket driver wrench



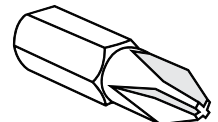
1 x 7/16" socket



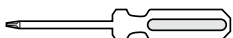
1 x Set Square



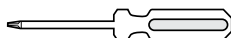
1 x Pencil



1 x #2 Phillips Bit



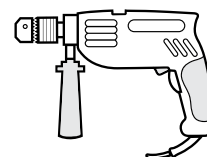
1 x #2 Phillips head screw driver



1 x #3 Phillips head screw driver



1 x Cordless Power Drill



1 x Hammer Drill



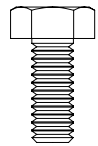
1 x Masonry Bit

[optional for masonry]

Parts Supplied

Type	Hardware	Multi Use and Support Lockers	Mobile Locker	Wall	Corner Wall	Two Door Base	Split Cabinet	Five Drawer Tool	7 drawer Tool Cabinet	42" Extended Lockers	48" Extended Lockers
Hardware Pack	#8 x 5/8" Wood Screw	2	0	0	8	4	4	4	4	2	2
	1/4" ID x 3/4" OD Washer	18	28	12	8	12	12	12	12	16	16
	1/4" Lock Nut	8	20	4	0	4	4	4	4	8	8
	1/4" x 0.9" Fender Washer	4	4	4	4	4	4	4	4	8	8
	1/4" x 2.5" Lag Screw	8	8	8	12	8	8	8	8	8	8
	1/4"-20 x 5/8" Hex Bolts	10	20	4	8	4	4	4	4	8	8
	Foot Attachment Screws	17	0	0	0	17	17	17	17	17	17
	Keys	2	2	2	2	2	2	2	2	2	2
	Light Valence Bolts	0	0	2	2	0	0	0	0	0	0
	Light Valence Nuts	0	0	2	2	0	0	0	0	0	0
Shelf Clips	22	18	6	0	0	0	0	0	0	20	20
Additional Hardware	Plastic Hole Caps	16	0	8	0	0	0	0	0	16	16
	Adjustable Leveling Feet	4	0	0	0	4	4	4	4	4	4
	Power Cord Grommet - 2in	1	1	0	0	1	0	0	0	2	2
Included Components	4in Swivel Casters	0	2	0	0	0	0	0	0	0	0
	4in SWIVEL Casters with Brakes	0	2	0	0	0	0	0	0	0	0
	Adjustable Shelves	4	2	1	0	0	0	0	0	4	4
	Cabinet Leg	4	0	0	0	4	4	4	4	4	4
	Closet Rod	1	1	0	0	0	0	0	0	1	1
	Closet Rod Brackets with Multi-Peg Hooks	2	2	0	0	0	0	0	0	2	2
	EVA Foam Drawer Liners	0	0	0	0	1	3	5	7	0	0
	Garbage Bin	0	0	0	0	0	1	0	0	0	0
	Light Valence	0	0	1	1	0	0	0	0	0	0
	NewAge Logo	1	1	0	0	0	0	0	0	1	1
	Parts Bins	0	0	0	0	0	24	0	0	0	0
	Long Drawer Dividers	0	0	0	0	0	0	8	12	0	0
Short Drawer Dividers	0	0	0	0	0	0	8	12	0	0	
Included Brackets	Side Support Bracket	1	0	0	2	0	0	0	0	1	1
	Easy Wall Hanging Brackets	2	2	2	2	2	2	2	2	2	2

Parts included in Hardware Pack



Hex Bolt
(1/4" x 5/8")



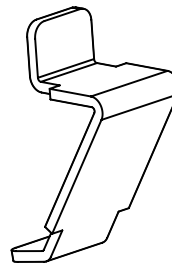
Foot
Attachment
Screws



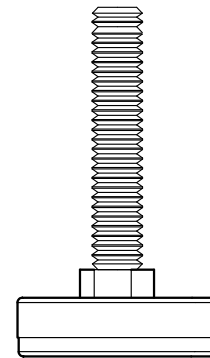
Light Valence
Nut (M5)



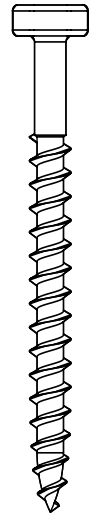
Light Valence
Bolt (M5 x 12mm)



Shelf Clips



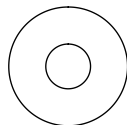
Levelling
Leg



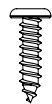
Wall Screw
(1/4" x 2.5")



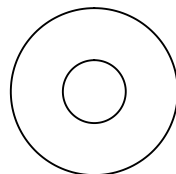
Lock Nut
(1/4")



Washer
(1/4" x 1/2")

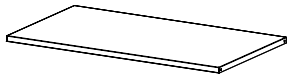


Wood Screw
(#8 x 5/8")

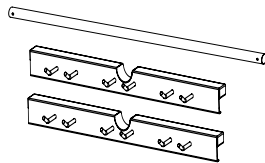


Fender Washer
(1/4" x 0.9-in)

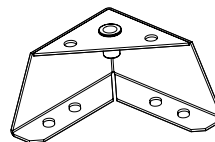
Individual Parts



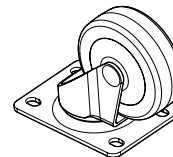
Full Width
Adjustable
Shelves



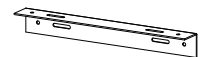
Clothes
Rod and
Hooks



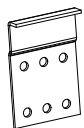
Height-Adjustable
Steel Leveling Legs



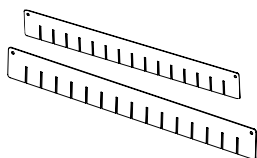
Casters



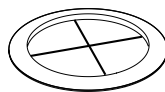
Support Bracket



Wall Bracket



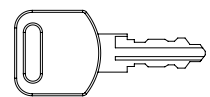
Drawer Dividers



Rubber
Grommet

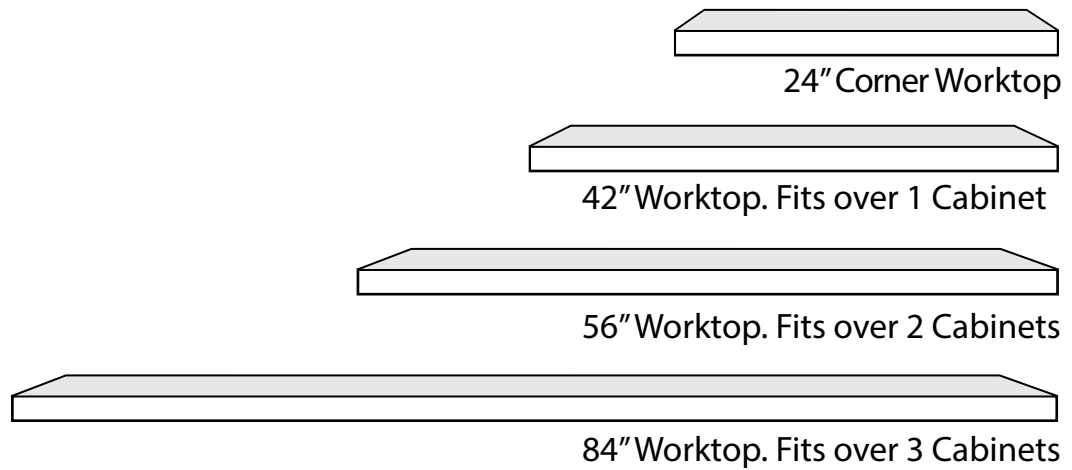


Light Valence



Key

Worktops



Weight Capacity

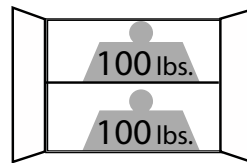
NOTE: Claimed weight capacities are only with NewAge worktops installed.



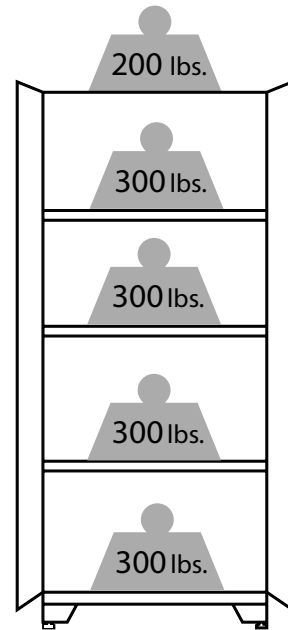
250 lbs per foot.
1000 lbs. per Set of 4



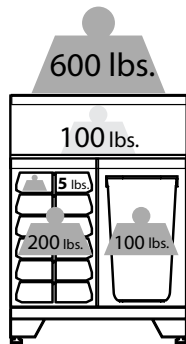
250 lbs. per 4" Castor
400 lbs. per Set of 4*



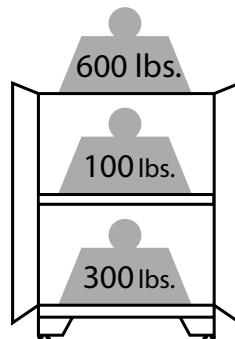
Wall Cabinets
Max 200 lbs.



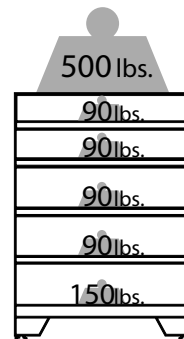
Lockers
Max 1000 lbs.



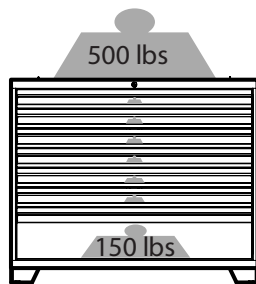
Split Cabinets
Max 1000 lbs.



Base Cabinets
Max 1000 lbs.



Tool Cabinets
Max 1000 lbs.



7 Drawer tool Cabinet
Max 1000 lbs.

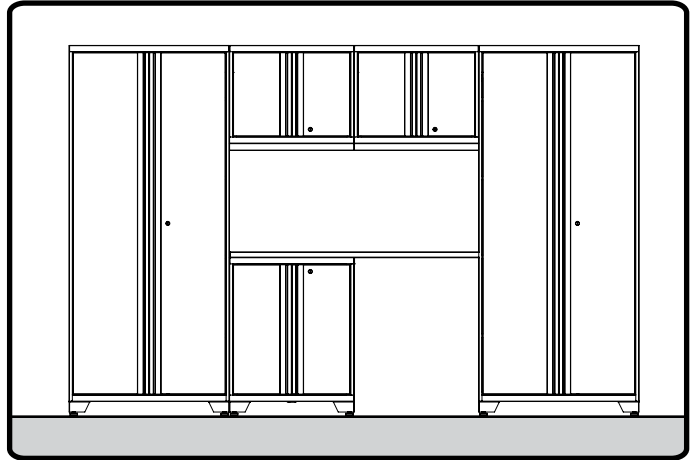
60 lbs capacity
each for 6 small
shelves

Installation options for Cabinets

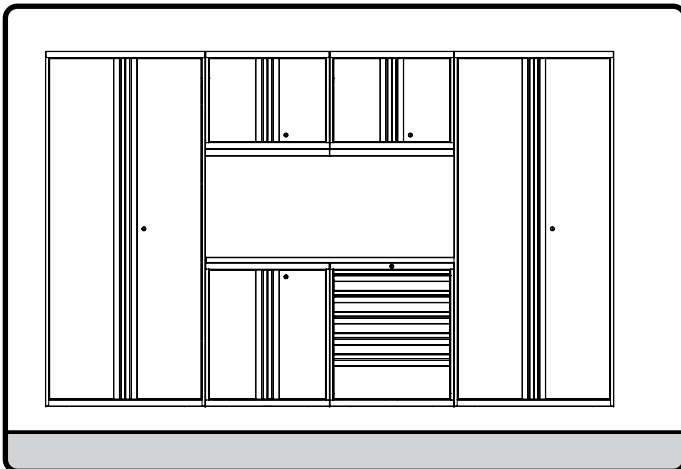
i **Important information:** Please read before beginning installation.

- Layouts shown are only examples. Based on customer purchase, cabinets can be configured in a variety of different layouts.
- Locate wall studs prior to installation.
- Consider the location of electrical outlets when planning layout.
- Measure height for wall cabinets.
- Base cabinets can be mounted flush front or flush back with Locker cabinets.

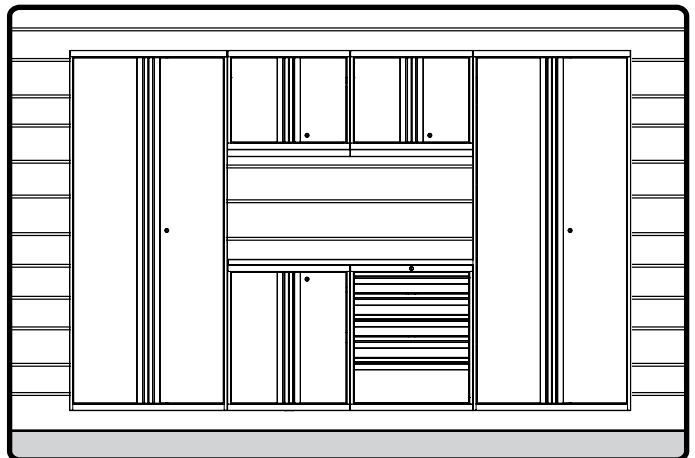
1 Floor mount with adjustable levelling legs. See page 8.



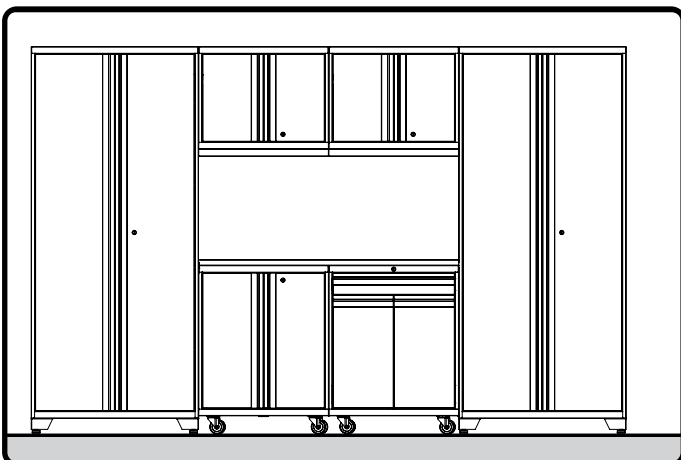
2 Wall mount using supplied wall mounting brackets. See page 9.



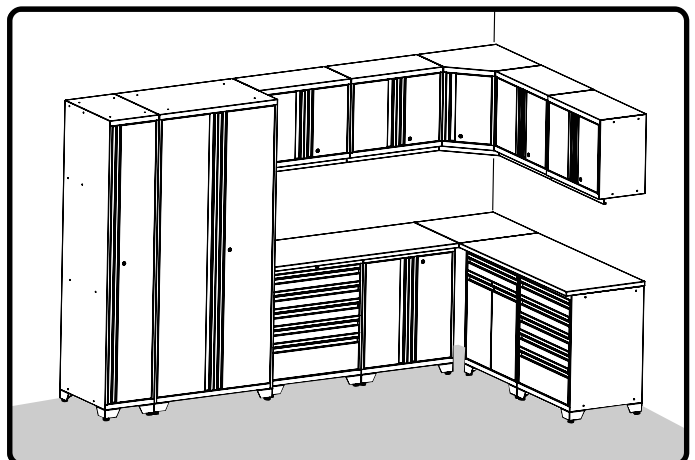
3 Wall mount on slatwall using slatwall bracket. See page 9.



4 Floor mount with casters and adjustable leveling legs. **Note:** Casters can not be installed on Locker cabinets. See page 8.



5 Corner cabinet installation. **Note:** Corner cabinets can be installed using all installation options. See page 10.

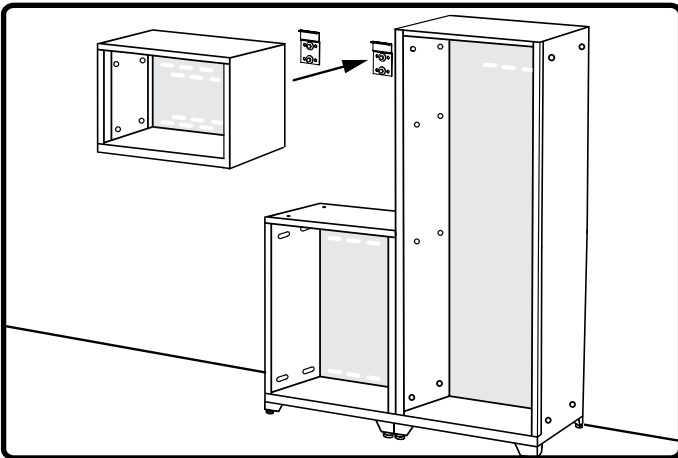


Floor Mount Installation

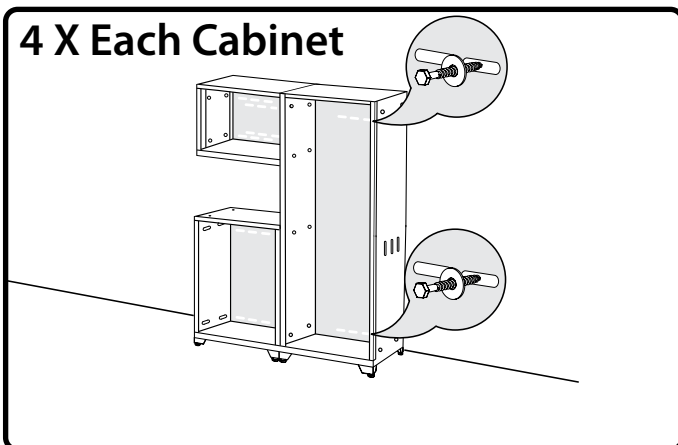
i Plan layout before installing cabinets

- Cabinets must be secured to wall.
- Casters can not be installed on locker cabinets.

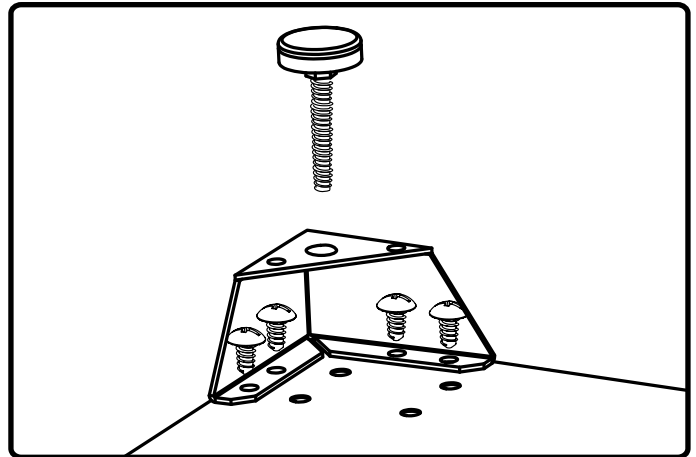
2 Hang wall cabinets. See full instructions on pages 9-14.



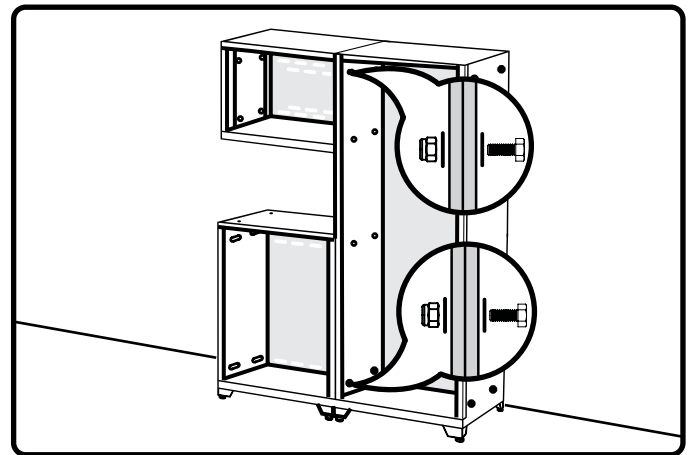
4 Secure all cabinets to wall. See page 15 for full instructions.



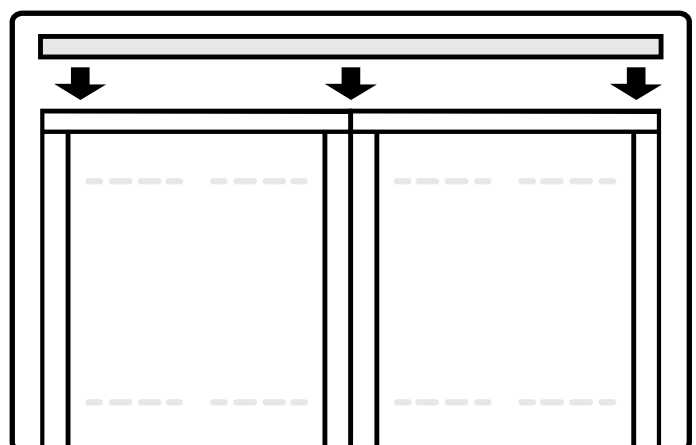
1 Attach feet/casters to cabinets. See full feet installation on pages 22 & 23.



3 Attach cabinets together. See fastening cabinets step on page 16.



5 Attach worktop. See pages 18 - 19 for full instructions.

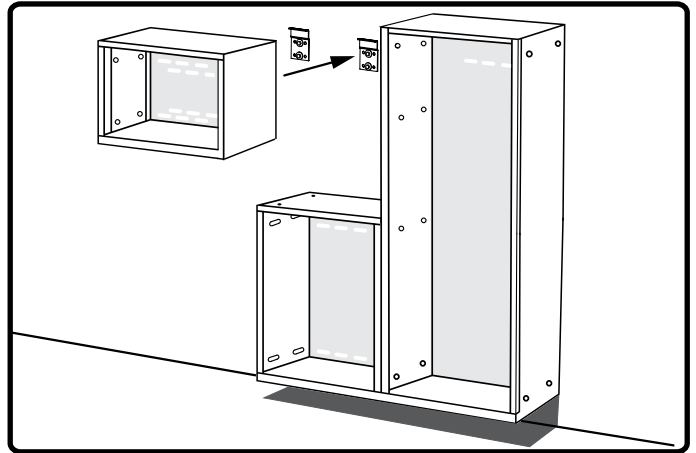


Wall Mount

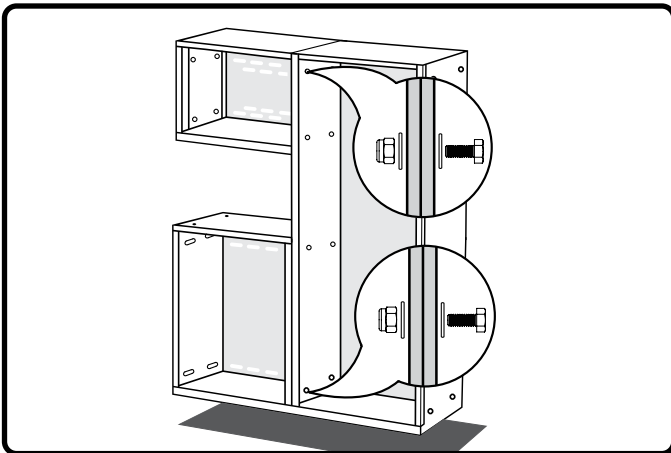
i Plan layout before installing cabinets

- Cabinets must be secured to wall

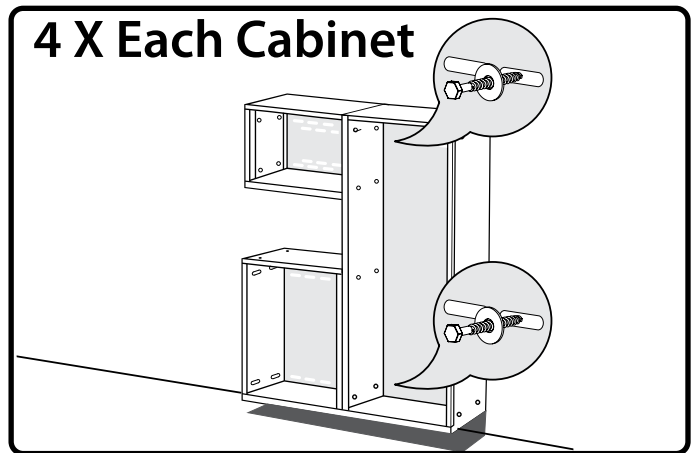
1 Hang wall cabinets. See full instructions on pages 9-14.



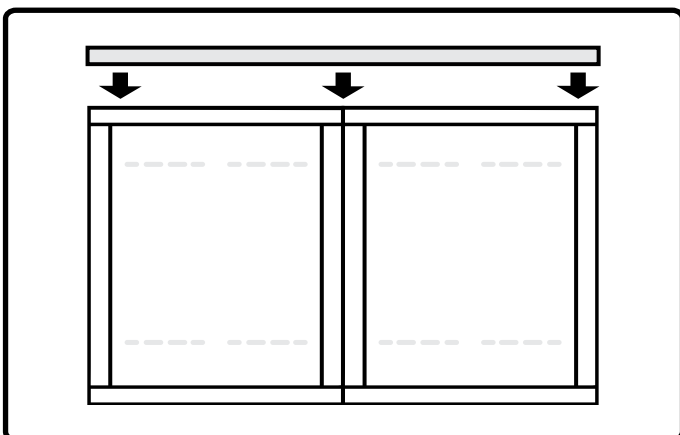
2 Attach cabinets together. See fastening cabinets step on page 16.



3 Secure all cabinets to wall. See page 15 for full instructions.



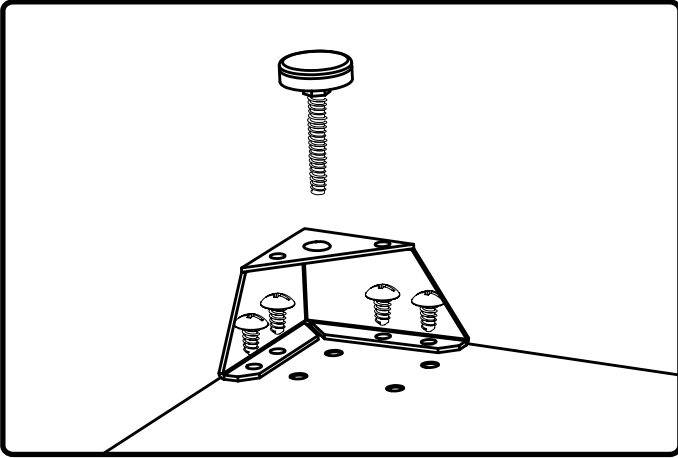
4 Attach worktop. See pages 18-19 for full instructions.



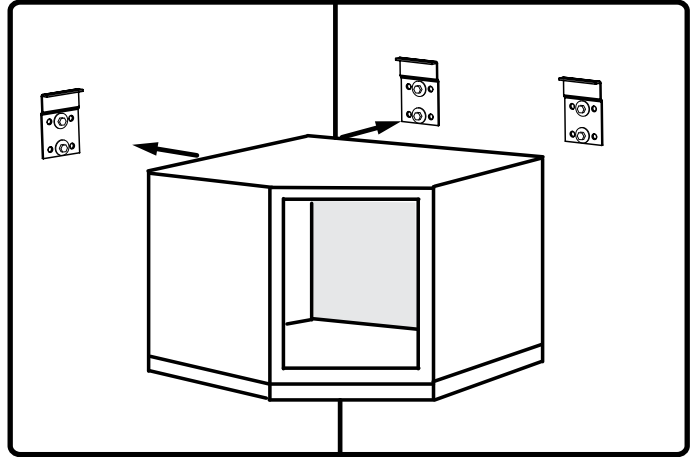
Corner Cabinet Installation

Attach feet/casters to cabinets. See full feet installation on pages 22 & 23.

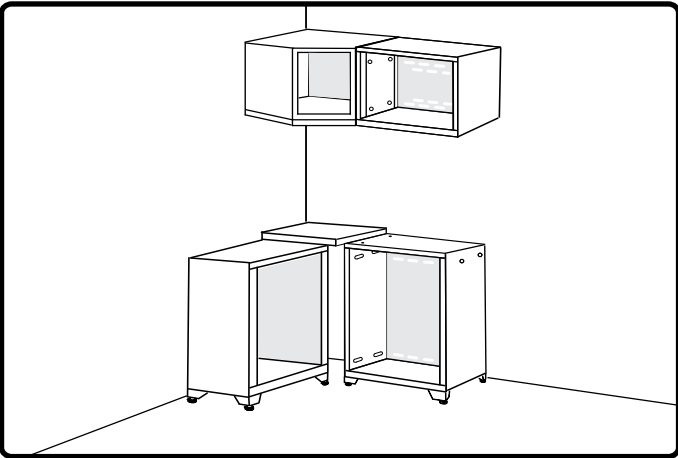
- 1** Note: Casters can not be installed on locker cabinets.



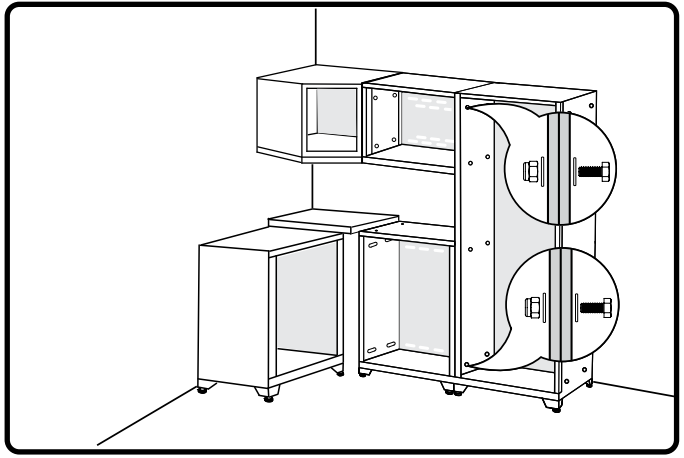
- 2** Hang wall cabinets. See full instructions on pages 9-14.



- 3** Install corner worktop and cabinets. See page 20.

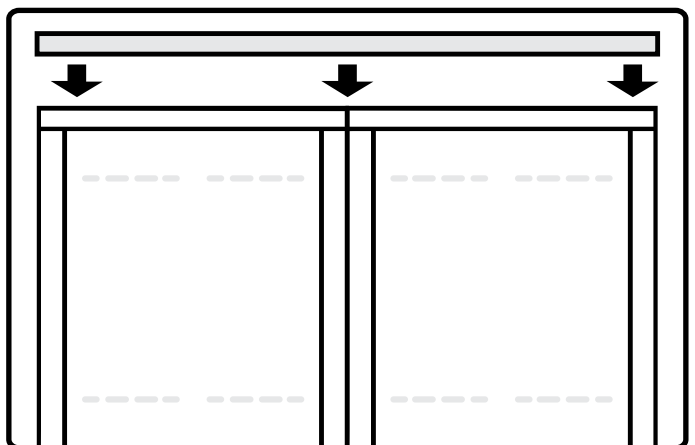
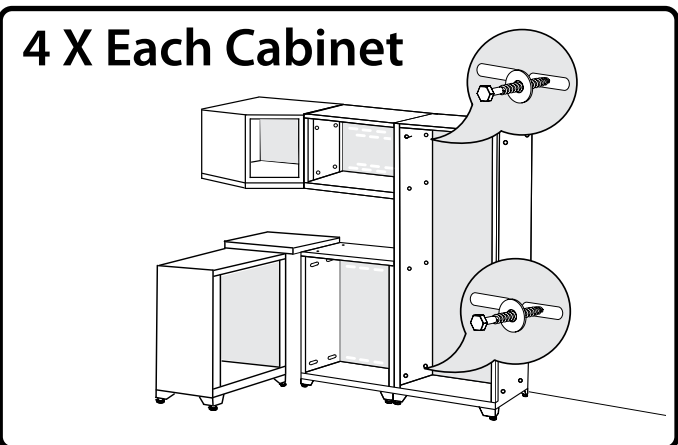


- 4** Attach cabinets together. See fastening cabinets step on page 16.



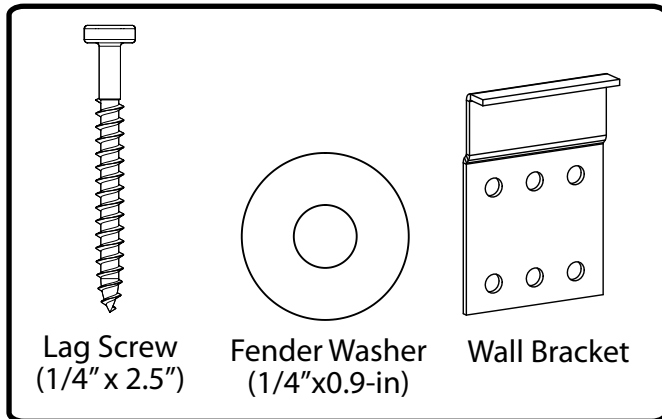
- 5** Secure all cabinets to wall. See page 15 for full instructions.

- 6** Attach worktop. See pages 18-19 for full instructions.

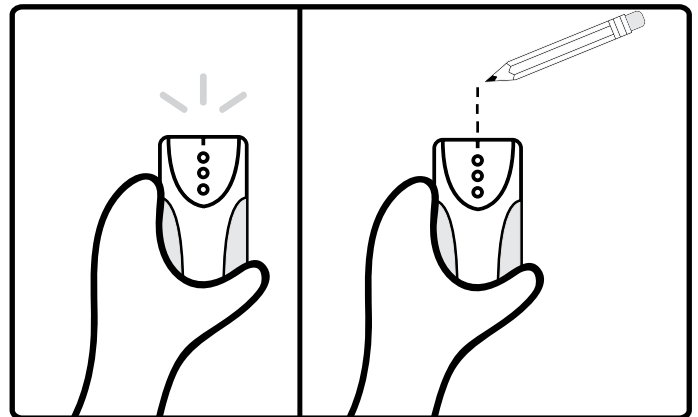


Hanging Cabinets on Wall

i Parts Needed.



1 Use stud finder to locate the studs and mark the wall with a pencil.

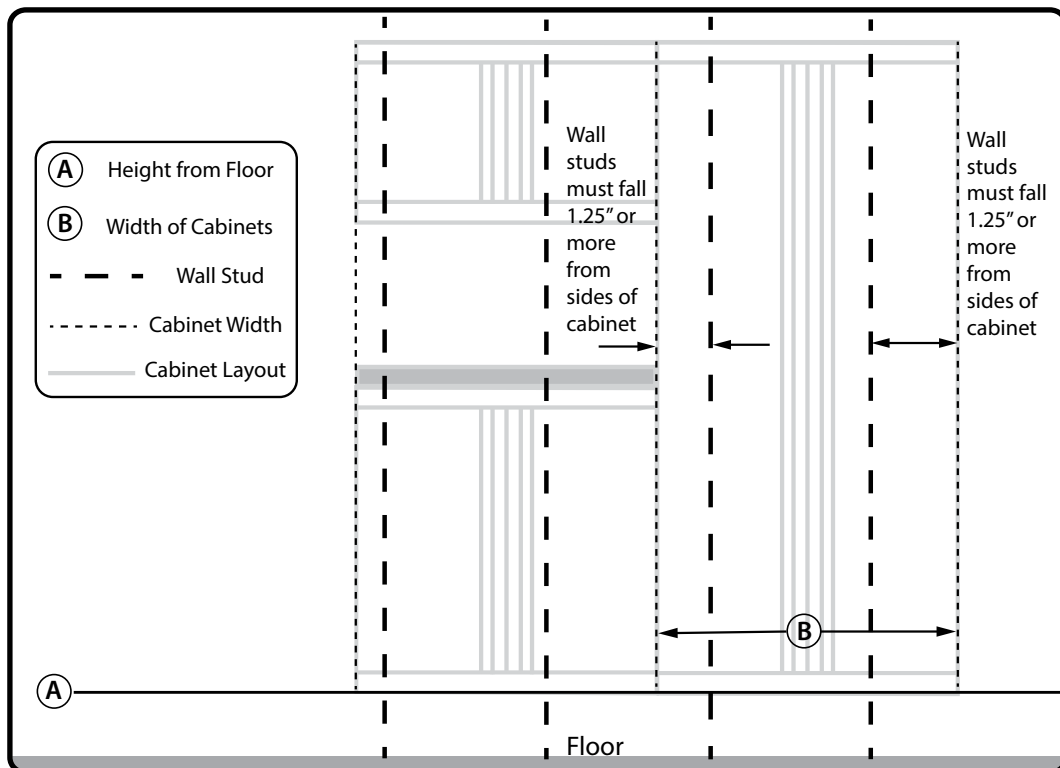


2 Planning the general position of cabinets.

Step A. Determine the height off the ground you would like the base and locker cabinets to be and make a horizontal mark at this position.

Step B. Next mark the width of each cabinet in the intended position and ensure the wall studs fall at least 1.25" in from the edge of the cabinets. This will ensure there is no interference with the edges of the cabinet and the wall bracket when hanging the cabinet on the wall.

Note: Ensure there are two studs for the locker to be mounted on as it is easiest to start the installation with the locker first. Due to the spacing of the wall studs it is possible that some base or wall cabinets will only have one stud they will attach to; This is acceptable as long as the cabinet is bolted to another securely mounted cabinet.

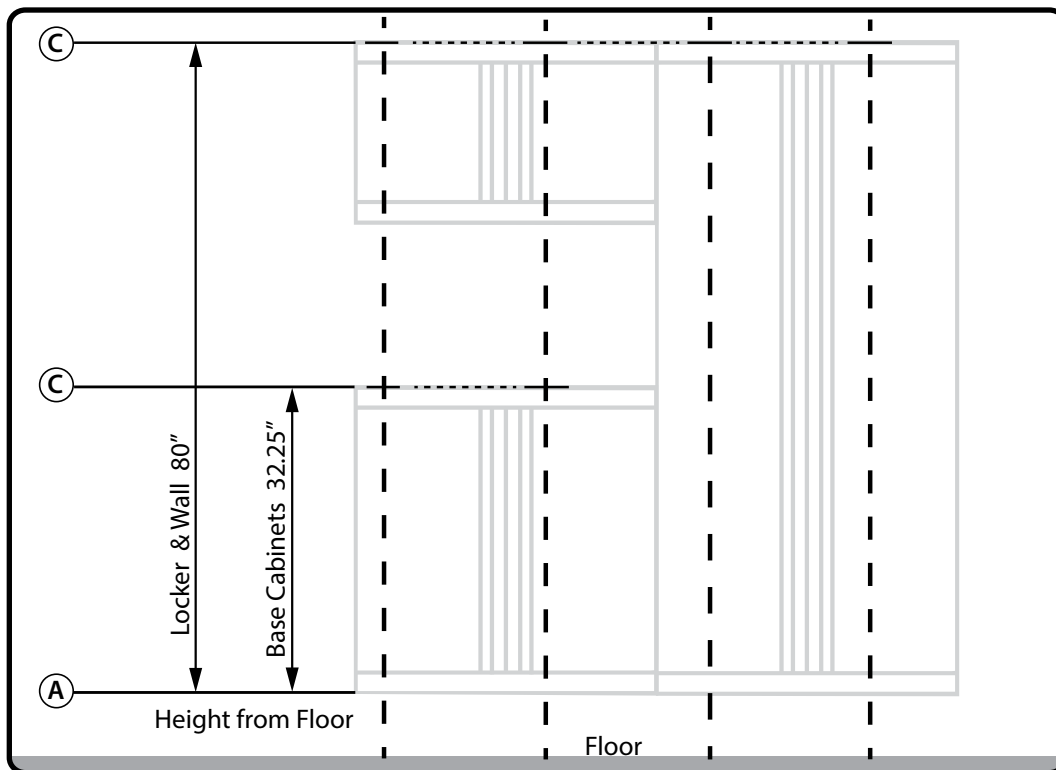


Hanging Cabinets on Wall (cont.)

3 Planning the general position of cabinets. (cont.)

Step C. Measuring up from the line marked in Step A, make a horizontal mark at the following heights where they intersect the wall stud marks to determine where the top of the cabinet will be (and where the hanging bracket will be installed).

1. **Locker:** Measure 80" vertically from base line and mark at stud locations.
2. **Base:** Measure 32.25" vertically from base line and mark at stud locations.
3. **Wall cabinets:** Measure 80" vertically from base line and mark at stud locations (if installing flush with top of locker).



Step D. Ensure the cabinets will be at a suitable working height and that your wall cabinets are not out of reach.

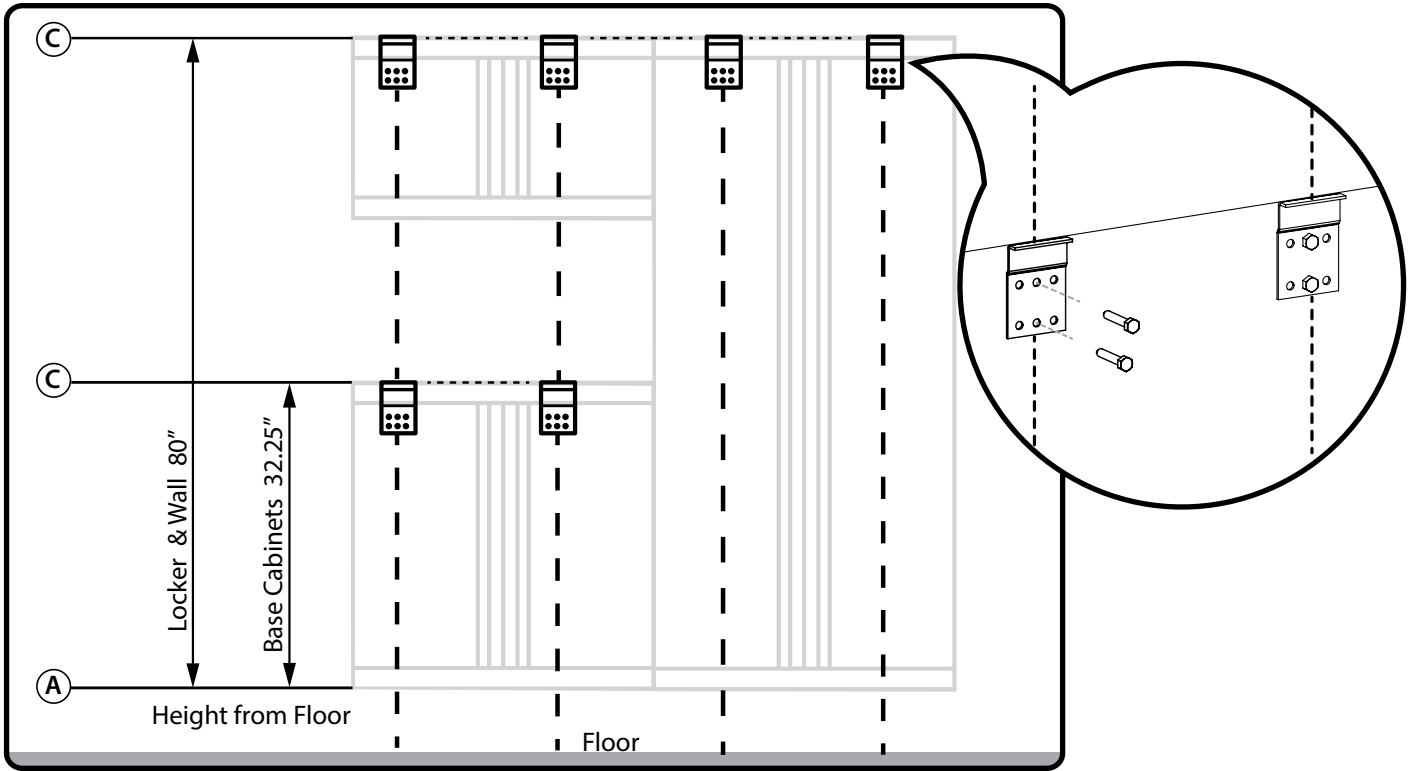
Note: The working surface of the base cabinets will be 1.25" higher than the cabinet with the top installed.

Hanging Cabinets on Wall (cont.)

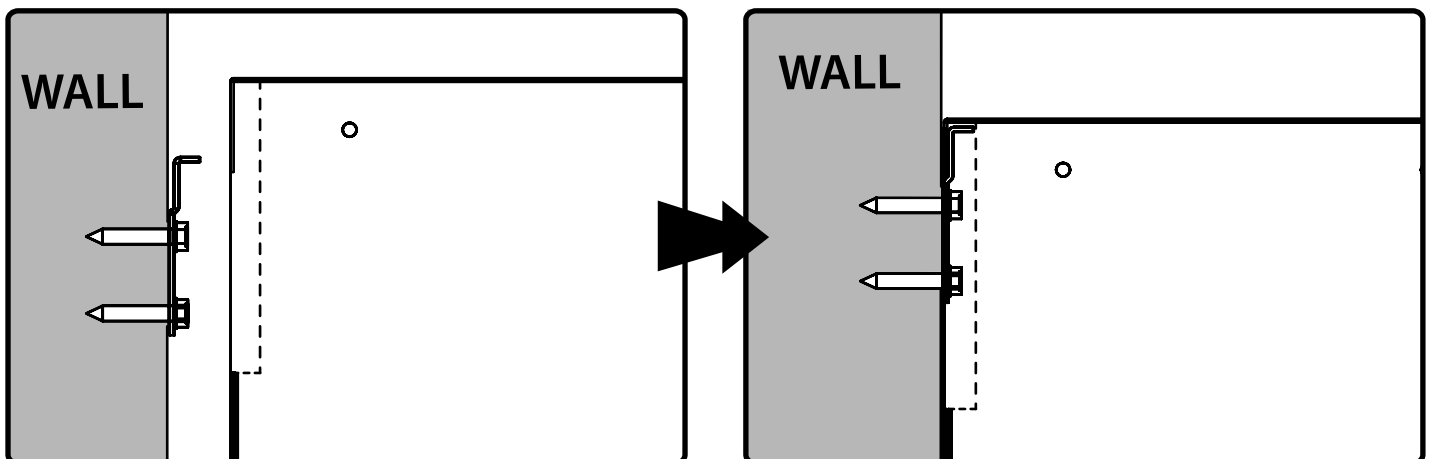
4 Hanging cabinets on wall.

Align the top of the wall hanging brackets with the lines marked for the position of the top of the cabinets (Step C) and attach the brackets securely into the studs using the supplied lag bolts and washers.

Note: It is possible to offset the bracket to one side or the other if the bracket is positioned close to the edge of the intended cabinet position by using the secondary hole positions on the bracket.



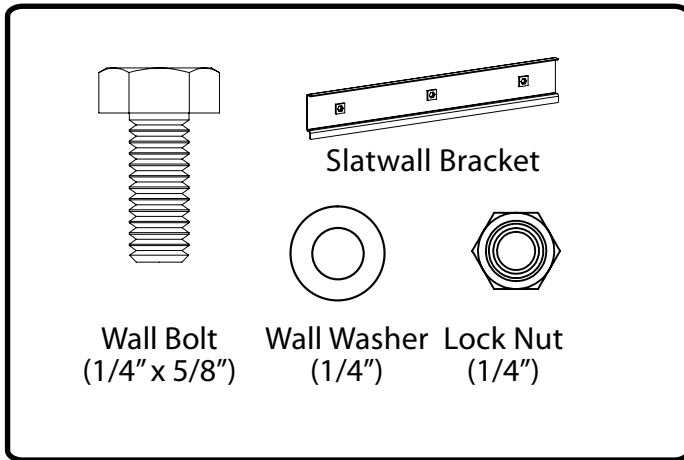
5 Lift cabinet into place over the brackets and flush with the wall, and lower into place.



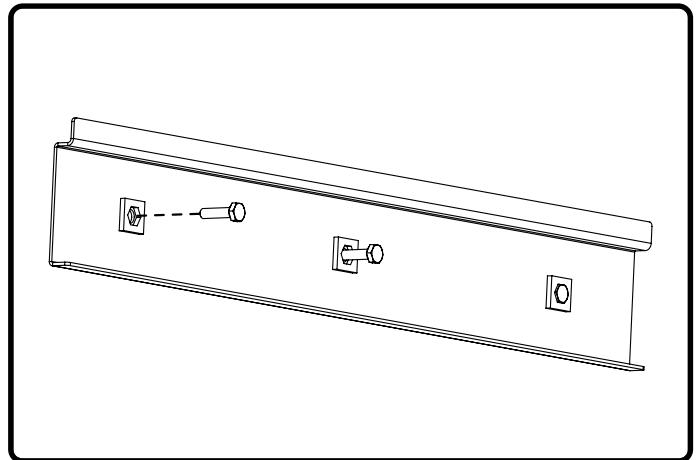
Hanging Cabinets on Slatwall

Note: Slatwall Brackets for use with standard 3" slatwall **Sold Separately**. Check with your slatwall supplier to determine the rated capacity of your slatwall. **DO NOT OVERLOAD.**

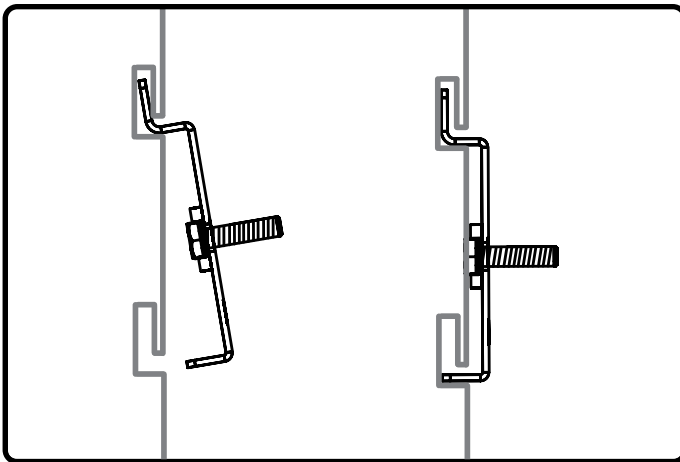
i Parts Needed.



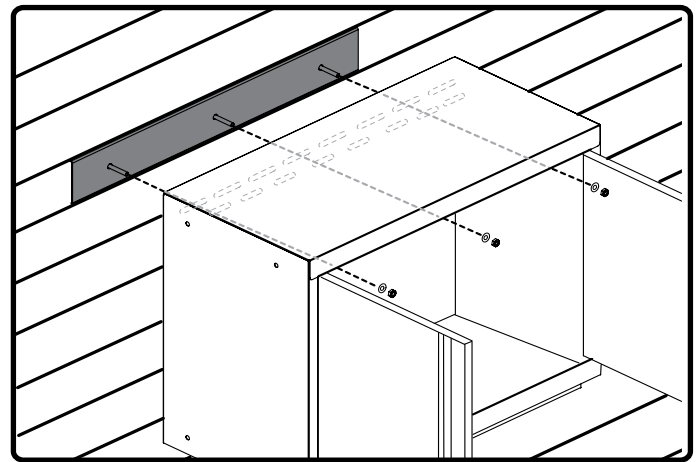
1 Insert bolts through slatwall bracket.



2 Attach bracket to slatwall at desired height.



3 Align bolt with slots on back of cabinet and hang cabinet.



Note: For Locker cabinet attach second bracket 66" below first bracket. For Base cabinet attach second bracket 18" below first bracket.

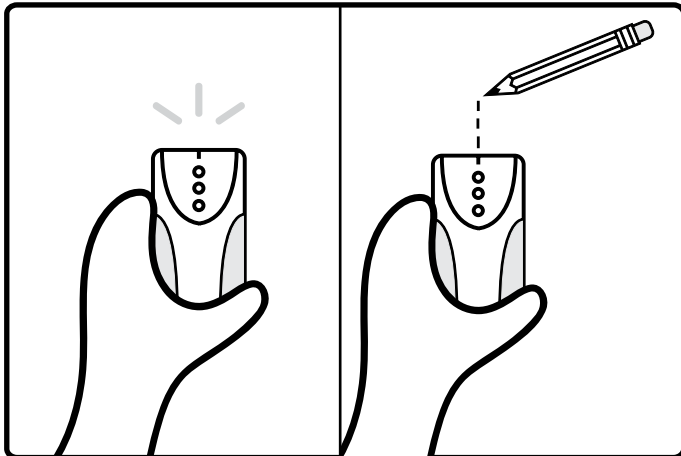
Securing Cabinets to Wall



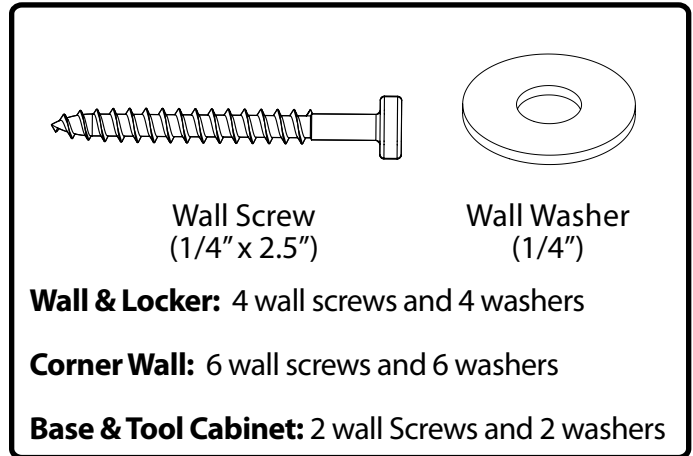
Note:
Do not load cabinet
without first securing to
the wall.

Note: Wall brackets are not designed to support the weight of a loaded cabinet.
Cabinets must be secured to the wall using supplied 1/4" x 2.5" lag screws.

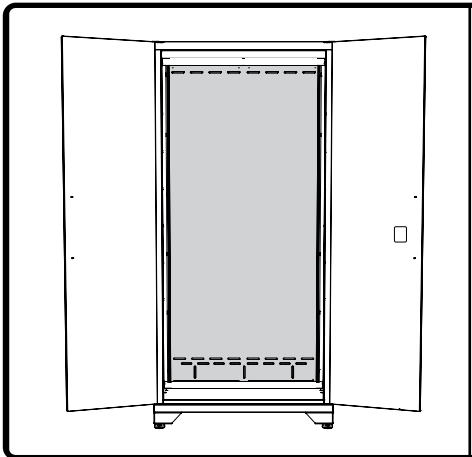
1 Use stud finder to locate the studs and mark the wall with a pencil.



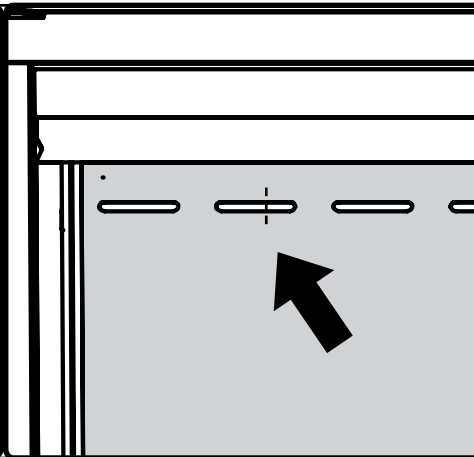
2 Gather parts.



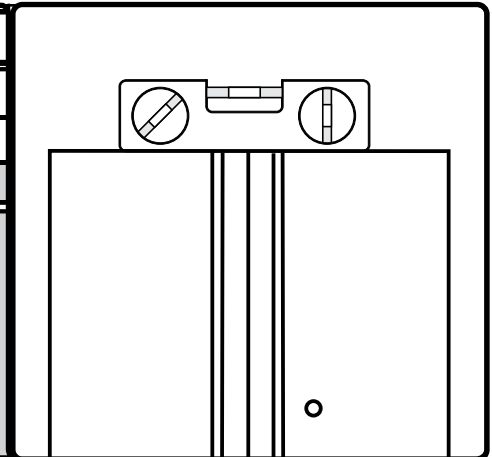
3 Place cabinet tight against the wall.



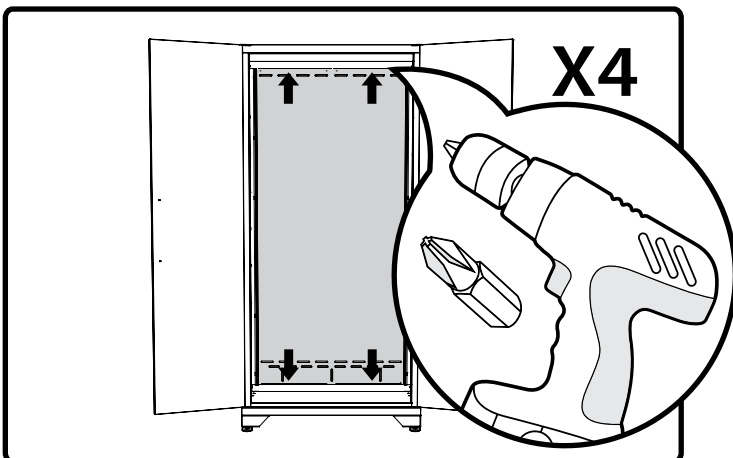
4 Align cabinet to stud marks.



5 Level cabinet



6 Drill 4 wall screws and washers through perforated holes into studs.



i Masonry.

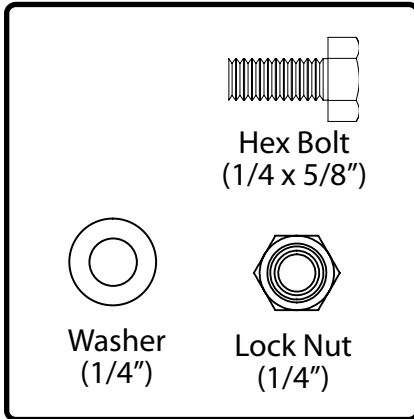
- Follow steps 3 to 5.
- Drill 4 pilot holes through the perforated strip with hammer drill & masonry bit.
 - Use 4 x (2 1/4" x 1/4") Tapcon Concrete Anchor into wall. (Not Included)
 - OR 4 x (#10 x 2") Screw with 3/16" masonry plug into wall. (Not Included)
- Follow Step 6.

Fastening Cabinets



Note:
Fasten additional cabinets to initial securely mounted cabinet.

i Parts Needed.

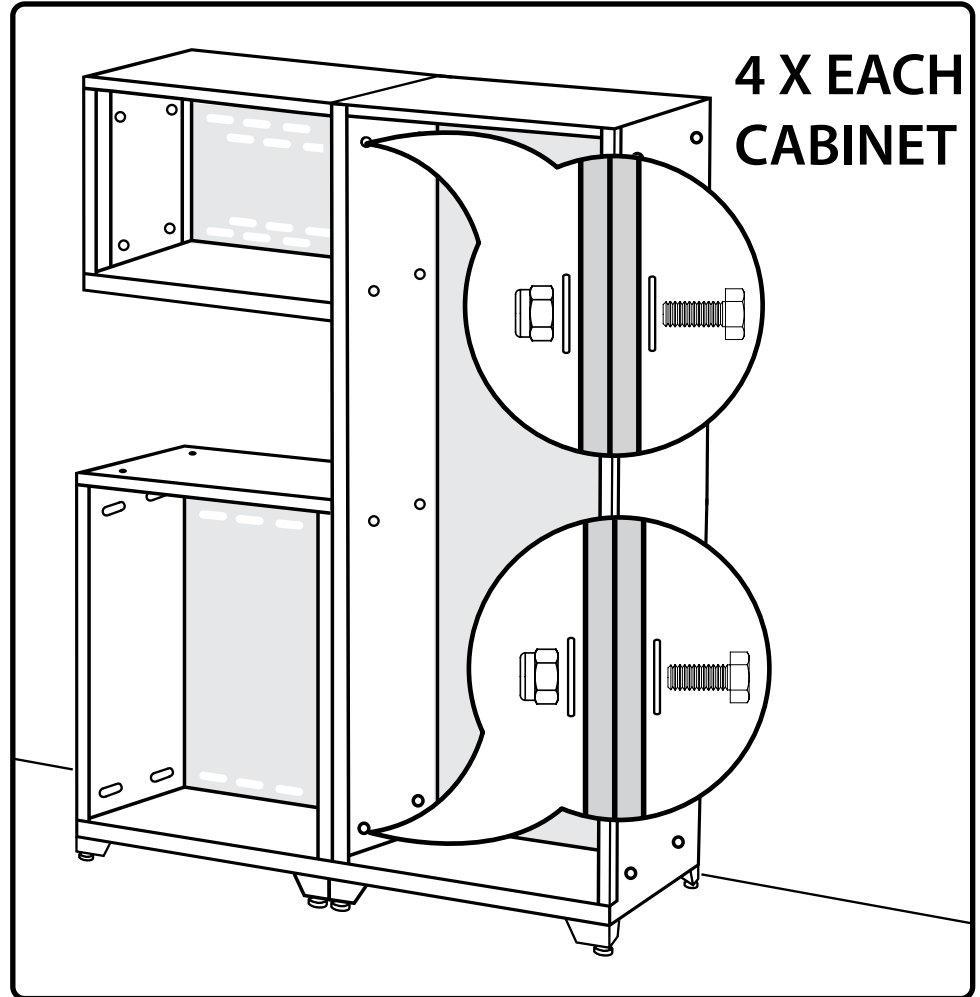


Note:

Remove all drawers before fastening cabinets.

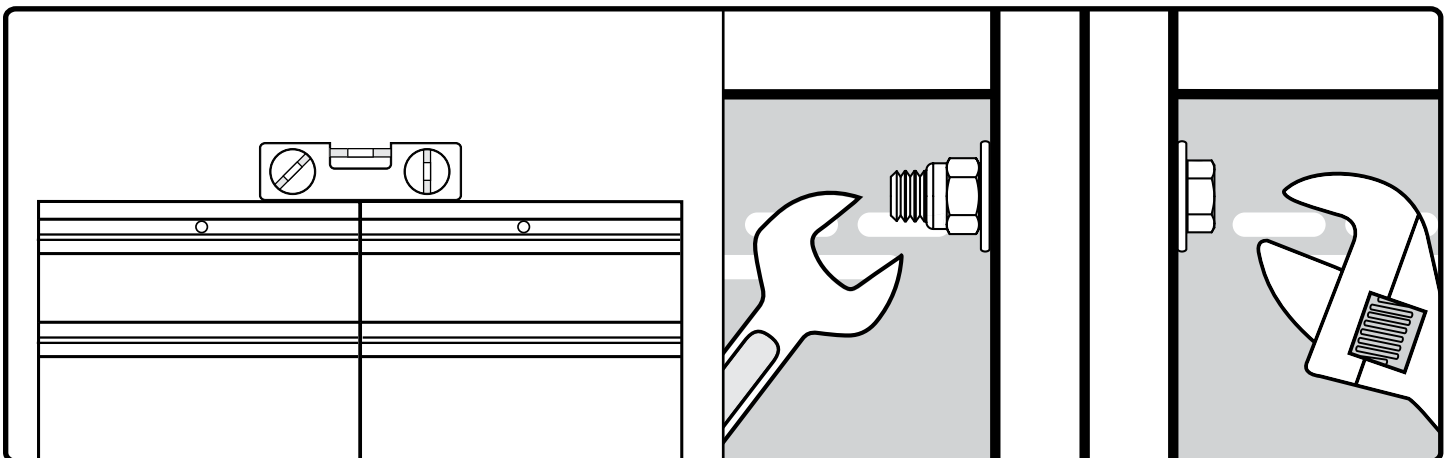
Bolt each subsequent cabinet to the previous one using the supplied 1/4" x 5/8" hex bolts and lock nuts provided in each base and wall cabinet.

1 Align bolts, tighten lightly.



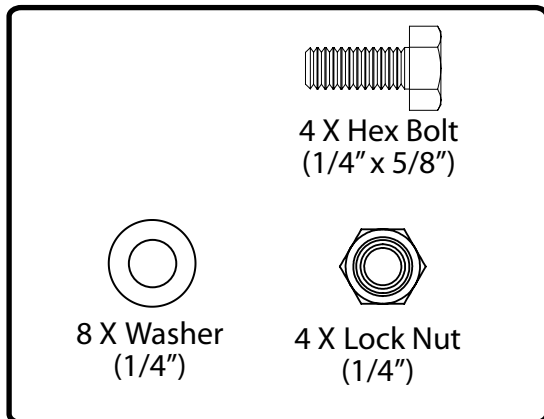
WARNING: Wall brackets are not designed to support the weight of a loaded cabinet. Cabinets must be secured to the wall using supplied 1/4" x 2.5" lag screws.

2 Level cabinets and tighten all bolts.

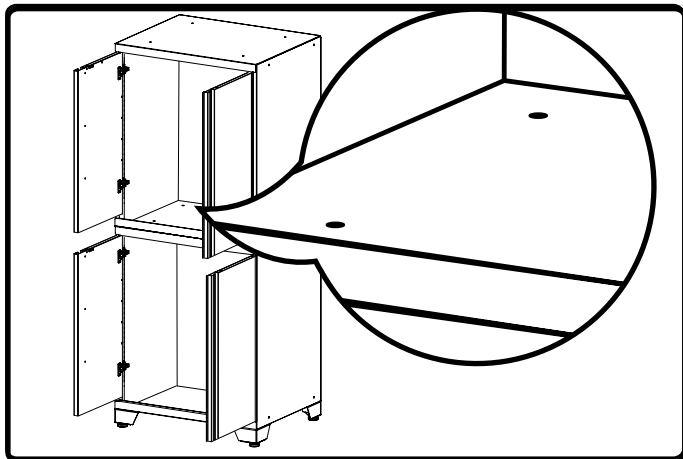


Stacking Cabinets

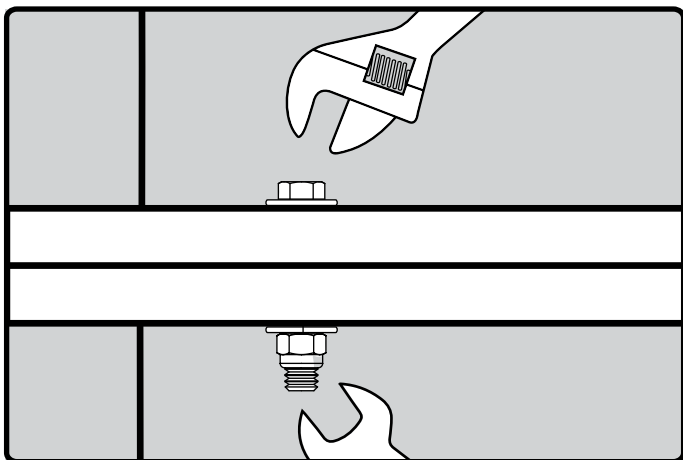
i Parts Needed.



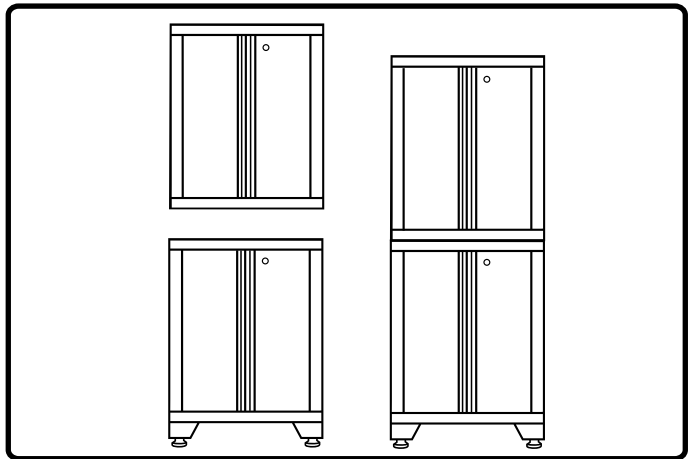
2 Locate punch holes on adjoining surface and insert bolts.



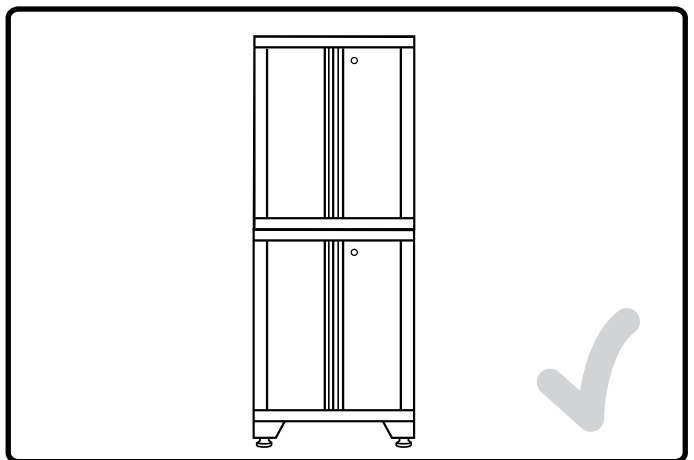
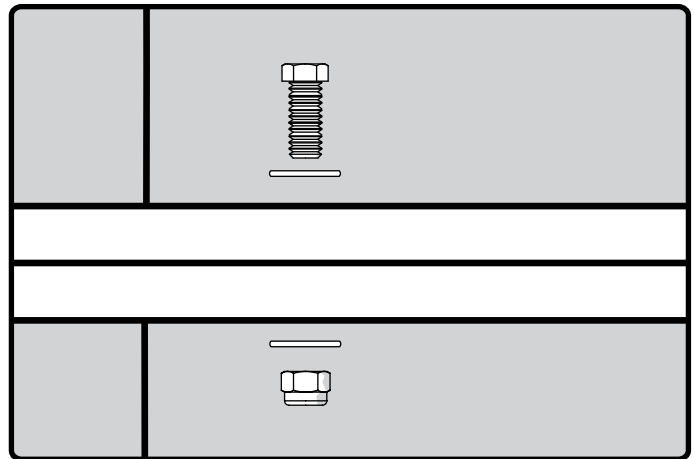
4 Tighten all bolts



1 Position a second base cabinet on top of an existing base cabinet.

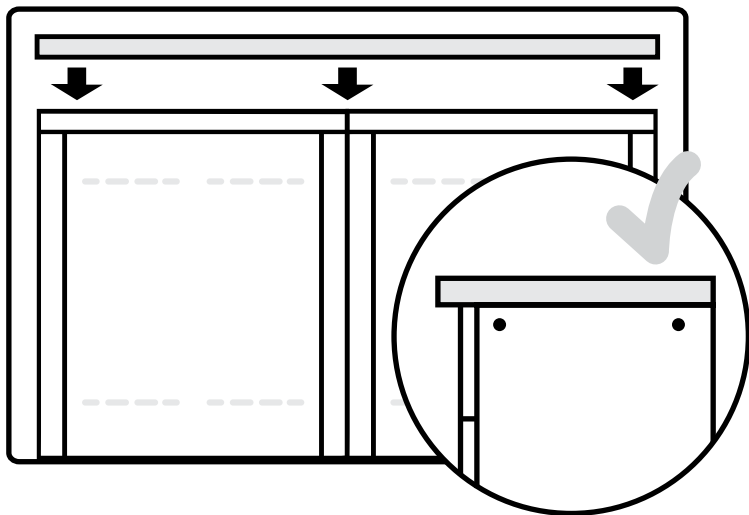


3 Attach cabinets using the supplied 1/4" x 5/8" hex bolts, washers, and nuts.

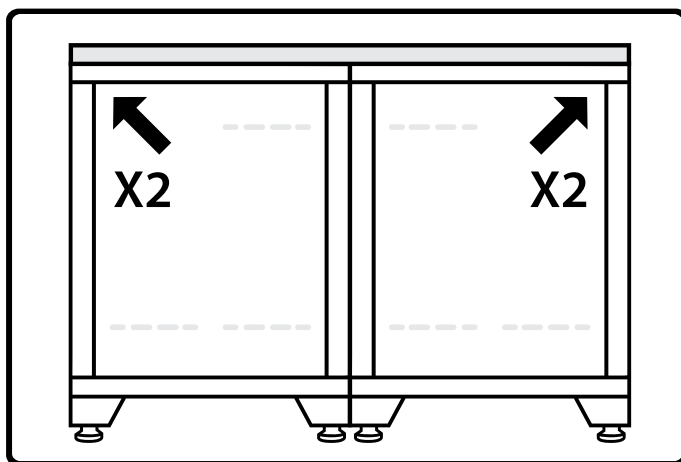


Mounting the Worktop

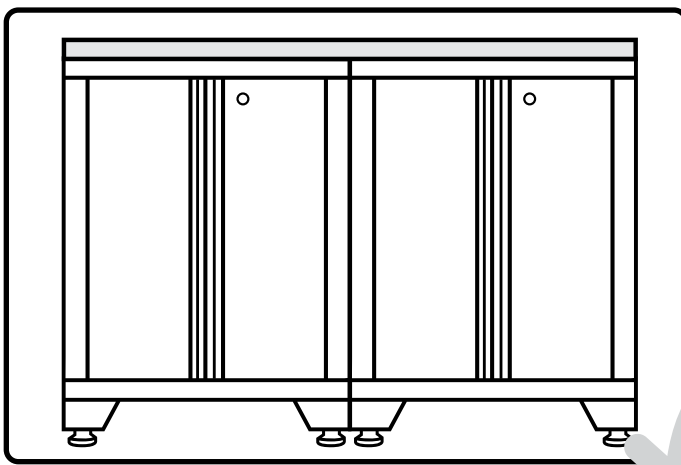
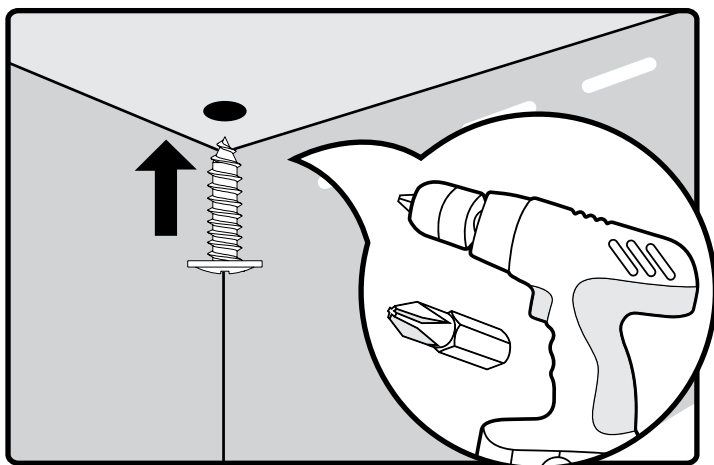
1 Place worktop on cabinets.



2 Locate 2 punch holes both sides.

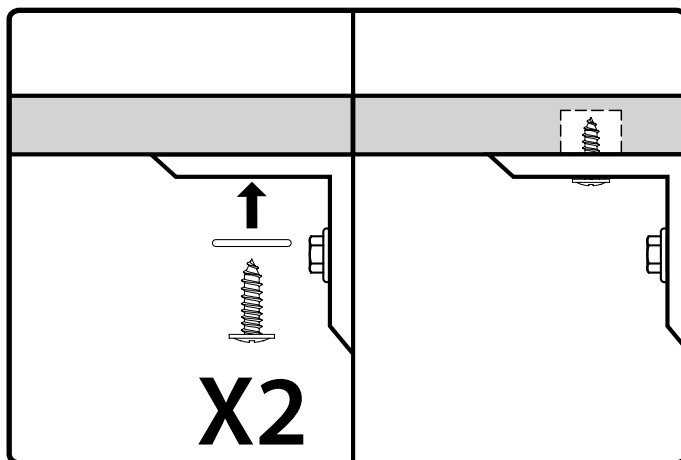
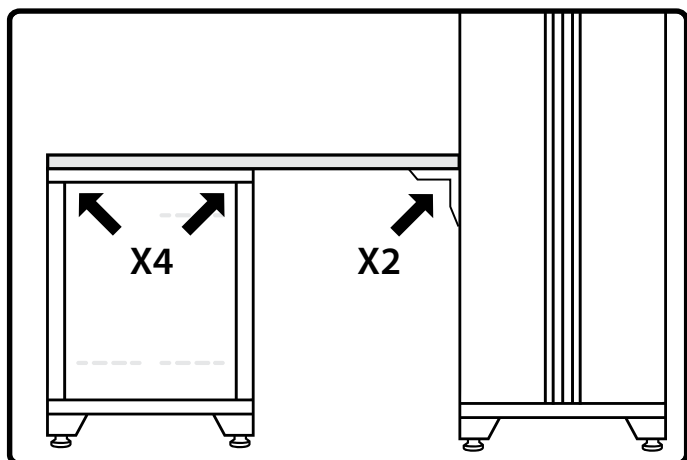


3 Drill into the worktop using the #8 x 5/8" wood screws.



i Optional: For locker support bracket.

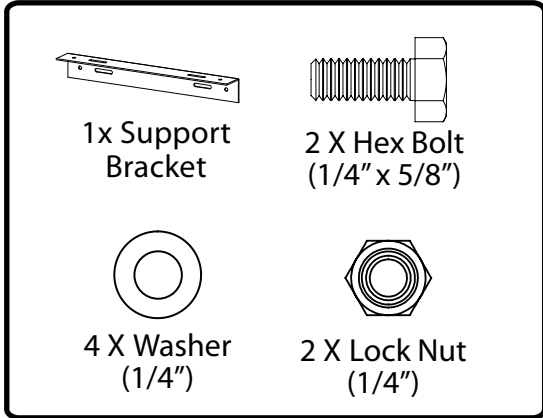
Use 2 washers & #8 x 5/8" wood screws. Provided in the locker packaging.



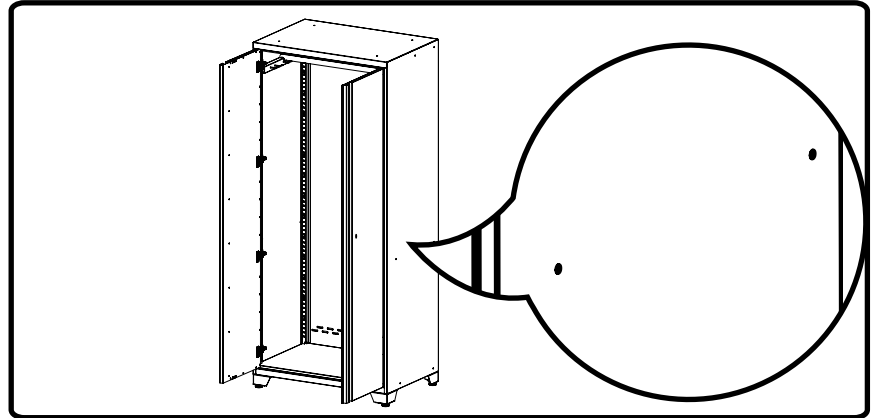
Installing Worktop Side Support Bracket

Note: Support bracket included with locker.

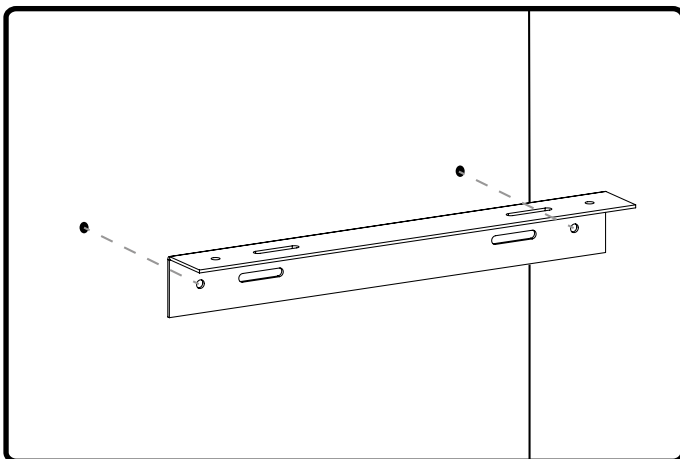
i Parts Needed.



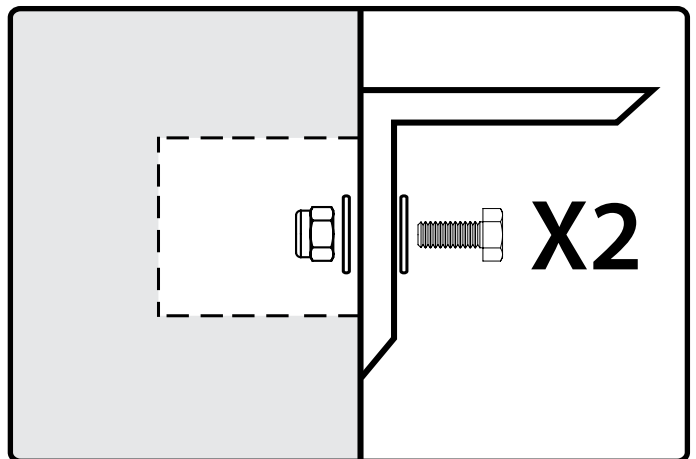
1 Open locker and locate holes on either side.



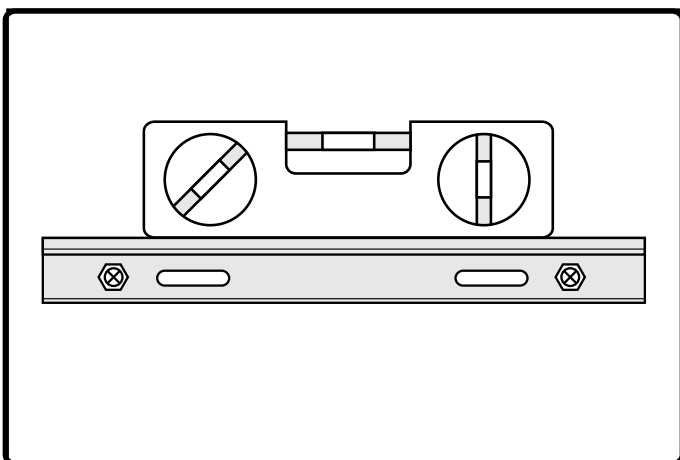
2 Align bracket.



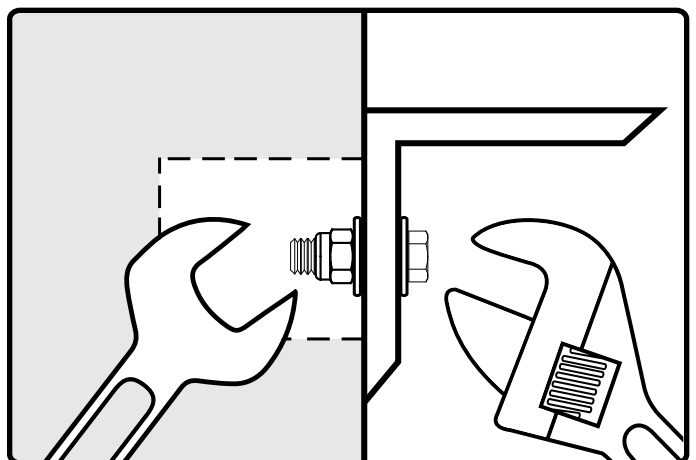
3 Fasten nuts, bolts, and lock washers.



5 Level bracket and ensure it is at the same height as the base cabinet.



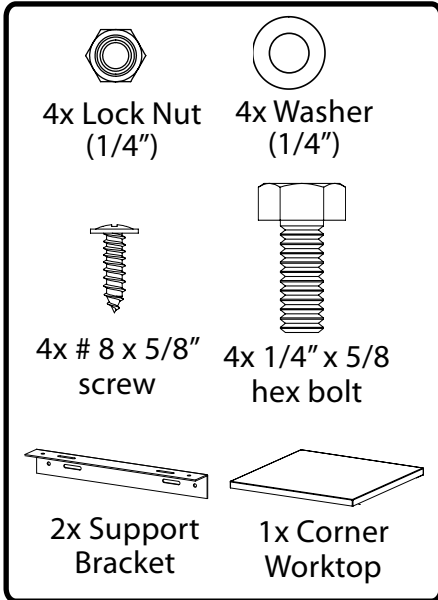
4 Tighten nuts & bolts.



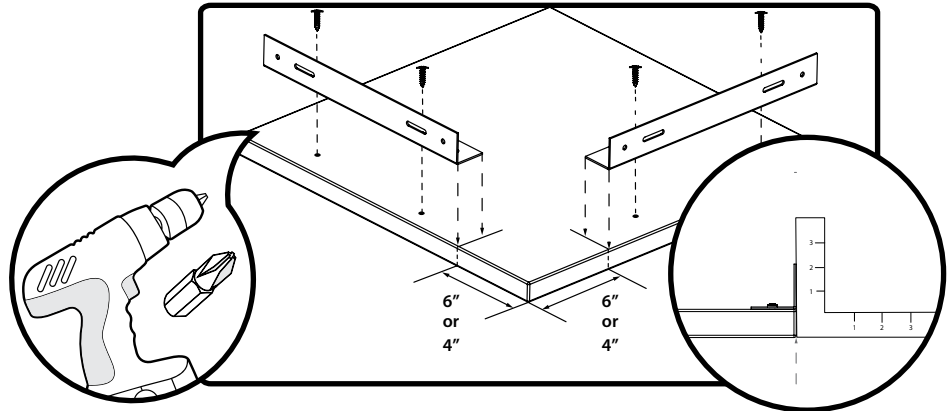
Installing Corner Worktop

Note: Ensure there is enough assembly room. Cabinets must be assembled away from corner to access backs of cabinets.

i Parts Needed.

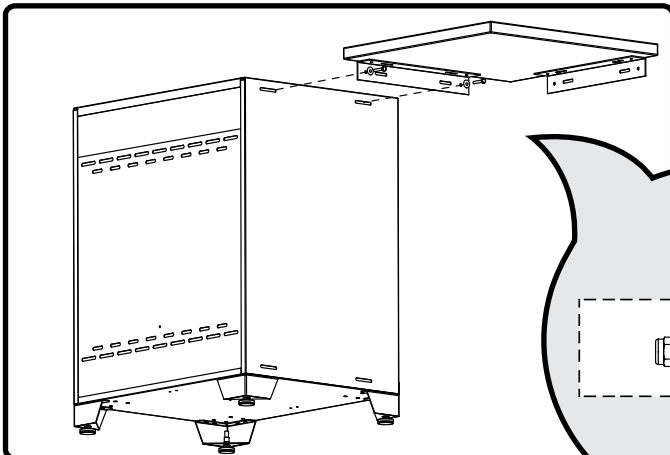


1 On adjacent edges attach 2 support brackets to underside of corner top using the supplied (4) 38 x 5/8" screws.

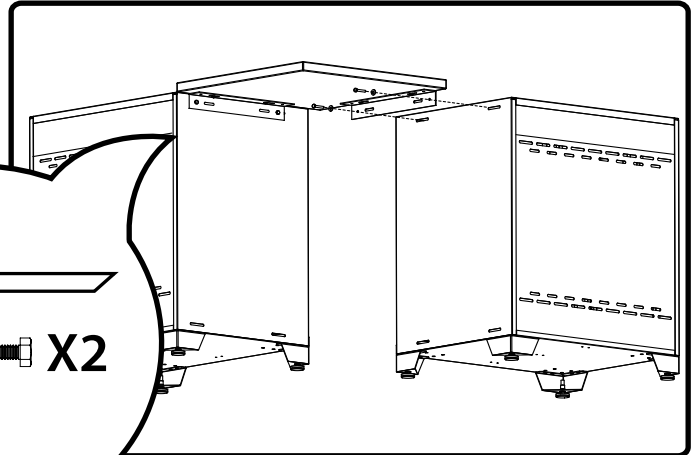


Important: For mounting top flush with back of cabinet measure 6" in from corner, for mounting top flush with front of cabinet measure 4" in from corner and flush with edge.

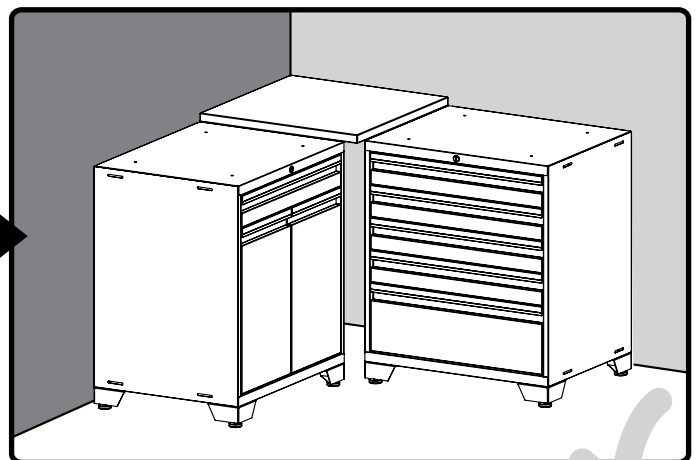
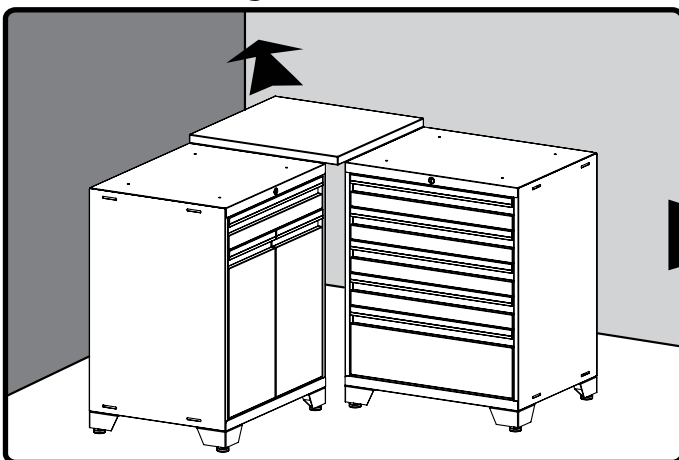
2 Attach top to one cabinet using 1/4" x 5/8 hex bolts, nuts, and washers.



3 Attach second cabinet to top.

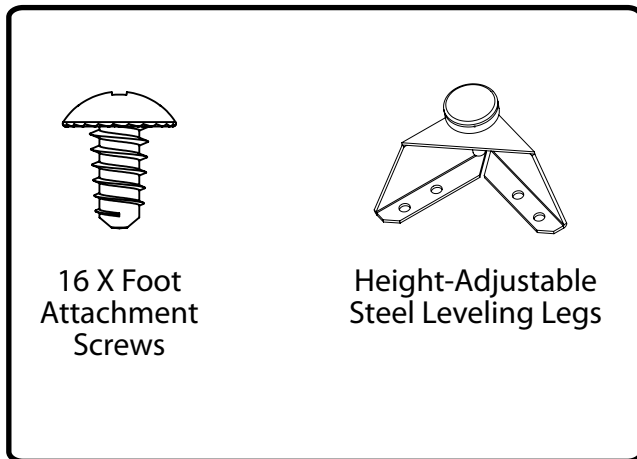


4 Slide in corner and attach remaining cabinets.

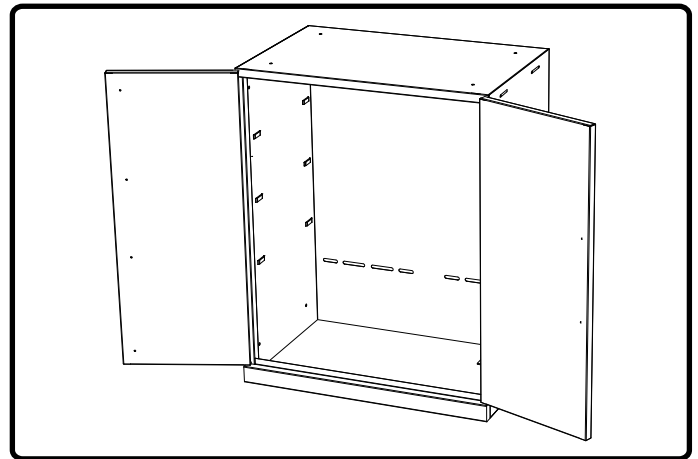


Installing the Feet

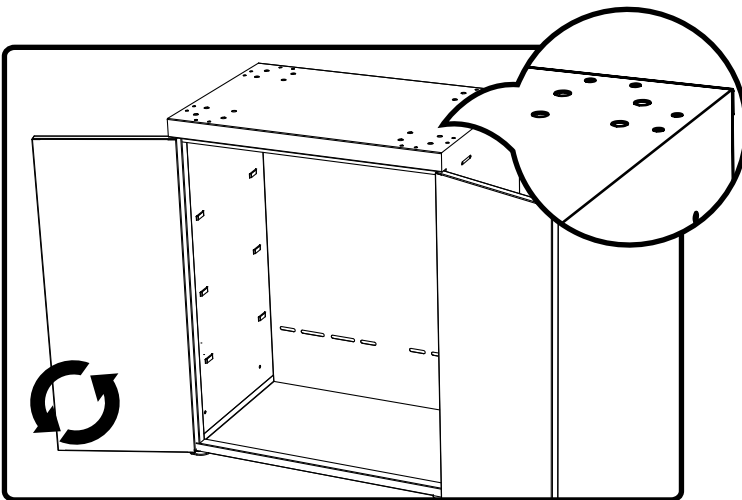
i Parts Needed.



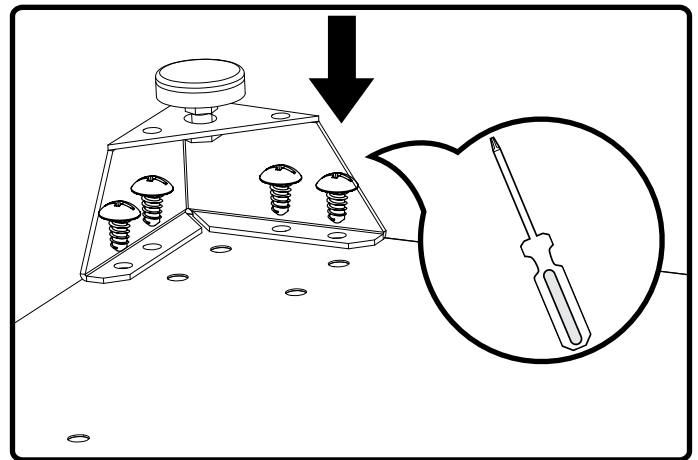
1 Open cabinet, remove any shelves or loose items.



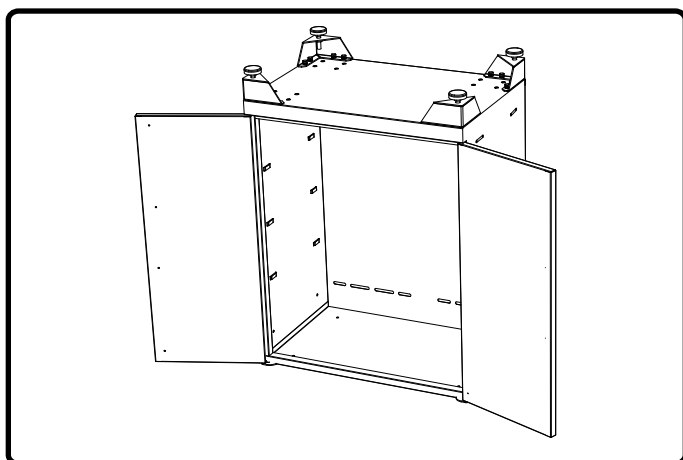
2 Flip cabinet upside down, locate holes at corners.



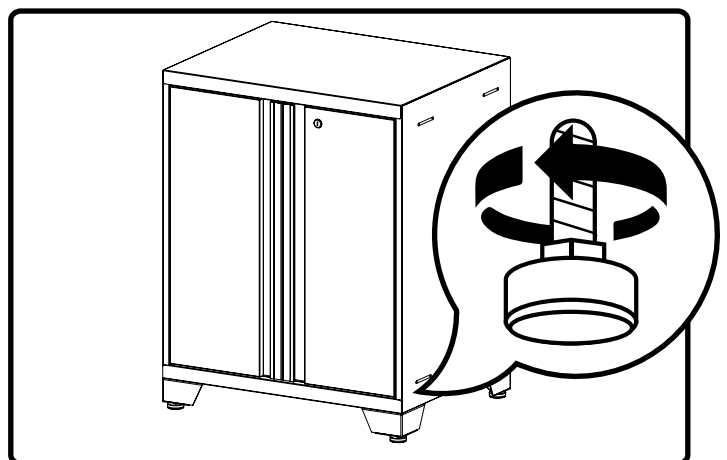
3 Align foot with edge of cabinet. Screw in 4 x foot attachment screws using #3 Phillips Bit.



4 Repeat step 3 for each corner.



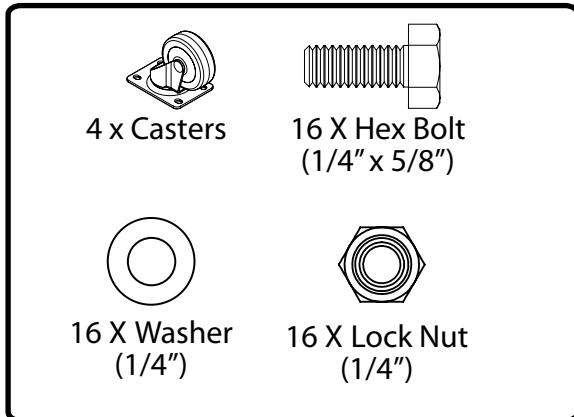
5 Stand & level feet.



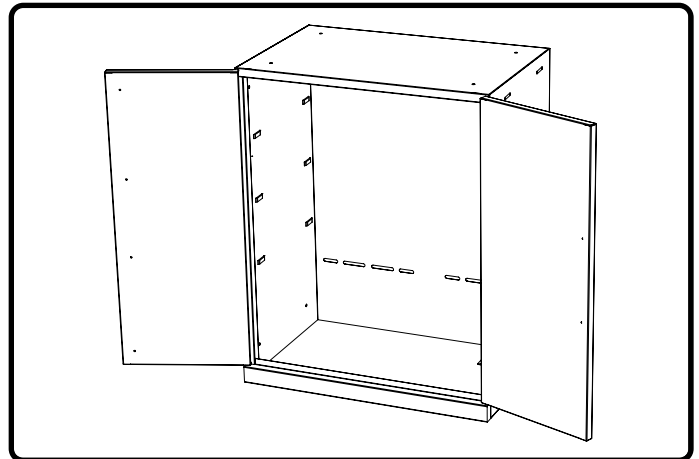
Installing Casters

Note: Caster kits sold separately.
shopnewage.com

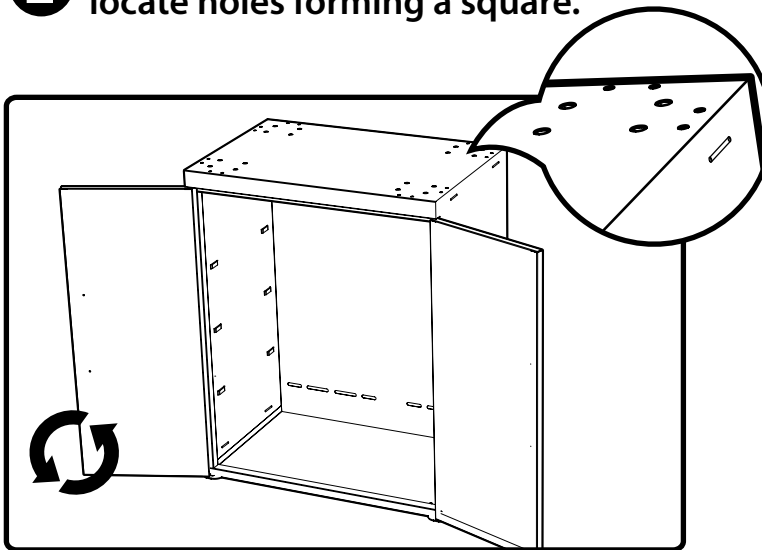
i Parts Needed.



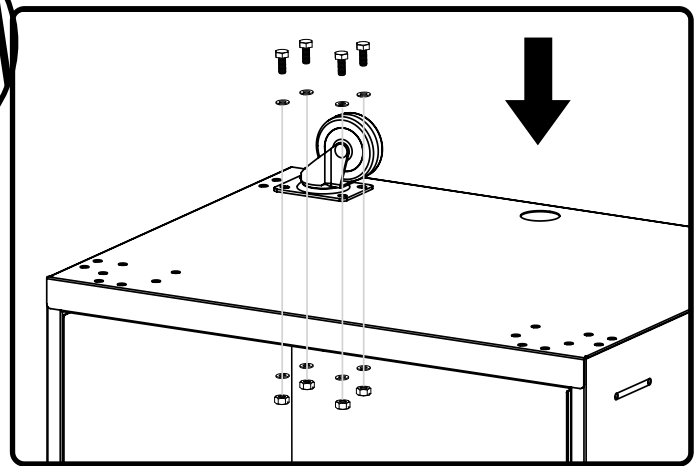
1 Open cabinet, remove any shelves or loose items.



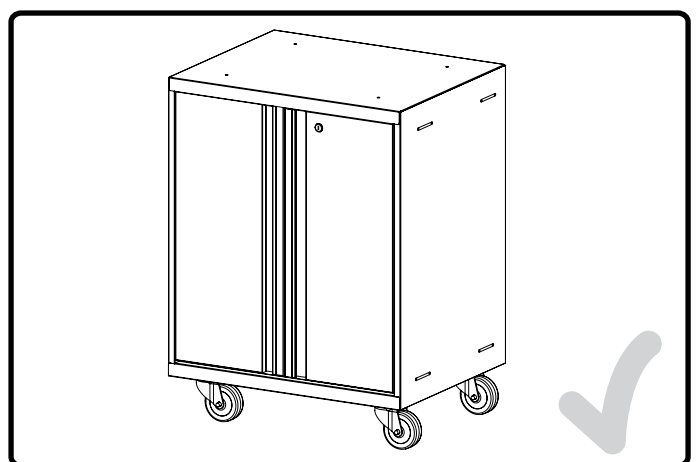
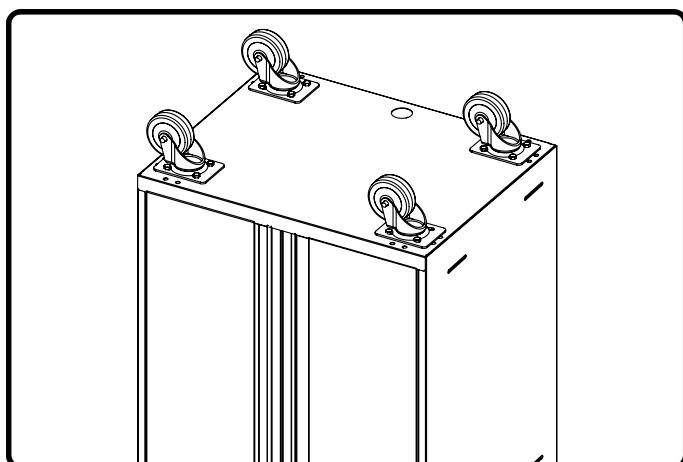
2 Flip cabinet upside down, locate holes forming a square.



3 Align foot with holes. Attach with 4 hex bolts, washers, and nuts.

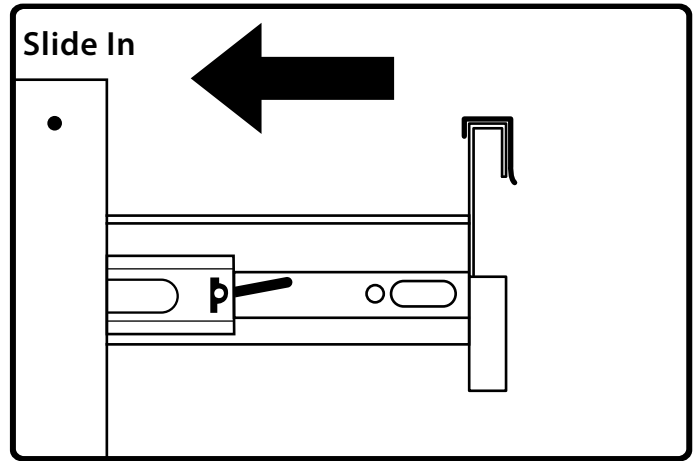
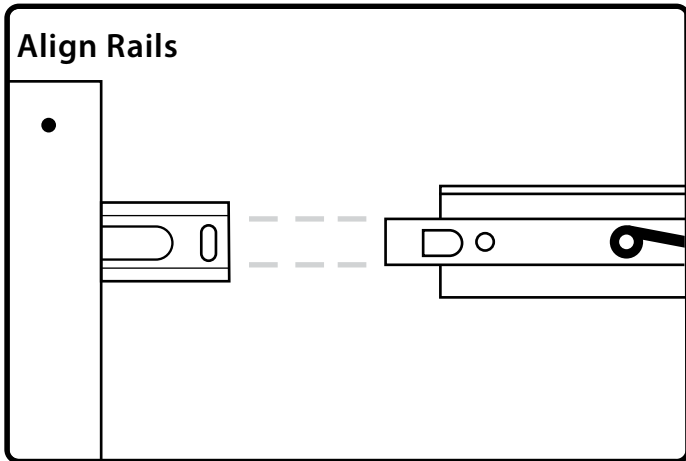


4 Repeat step 3 for each corner.



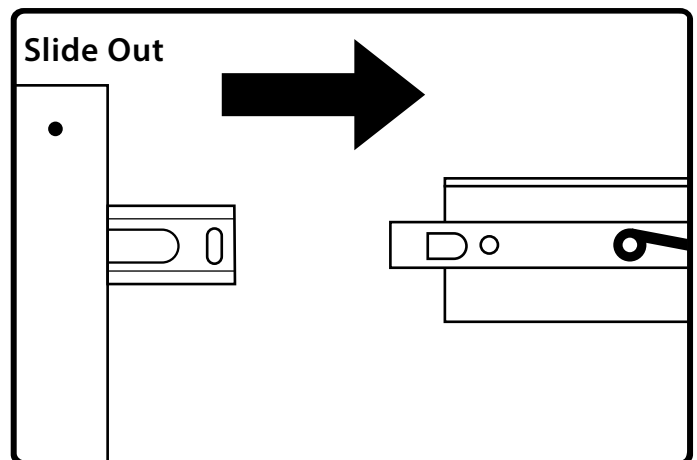
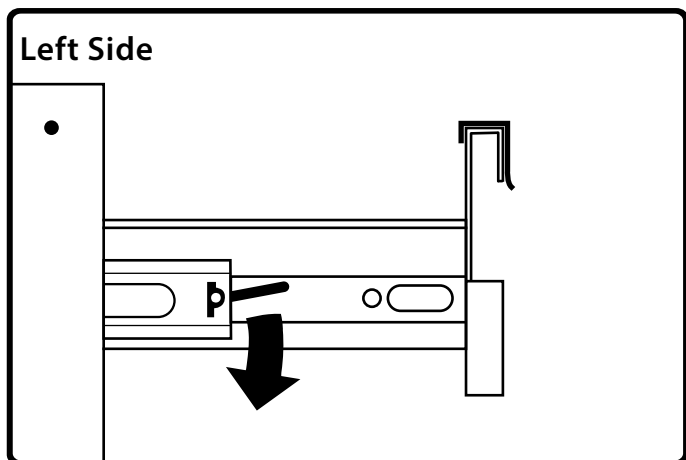
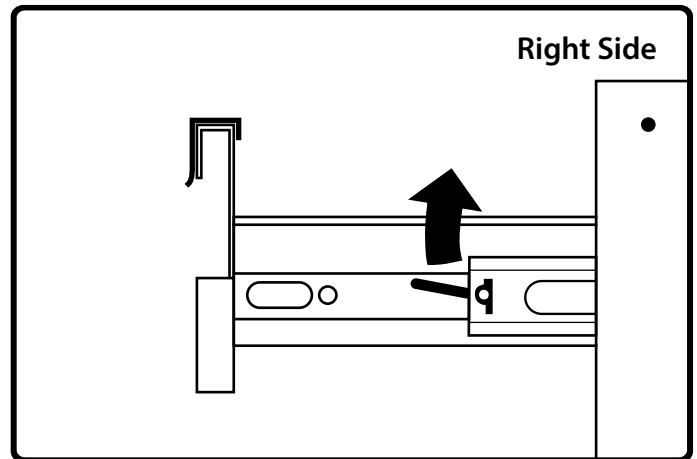
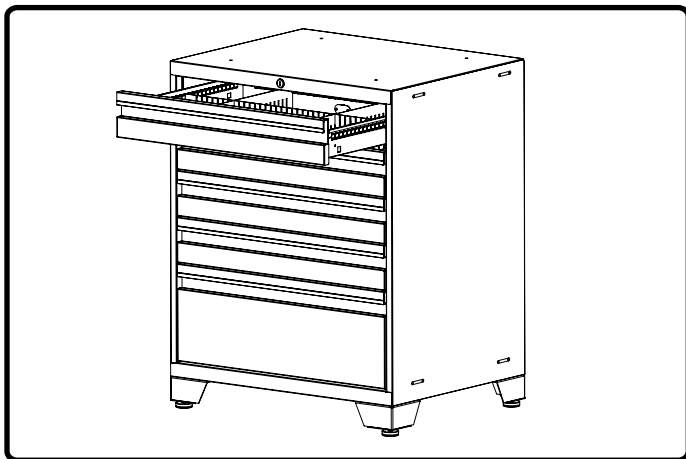
Installing the Drawers

Inserting Drawers.



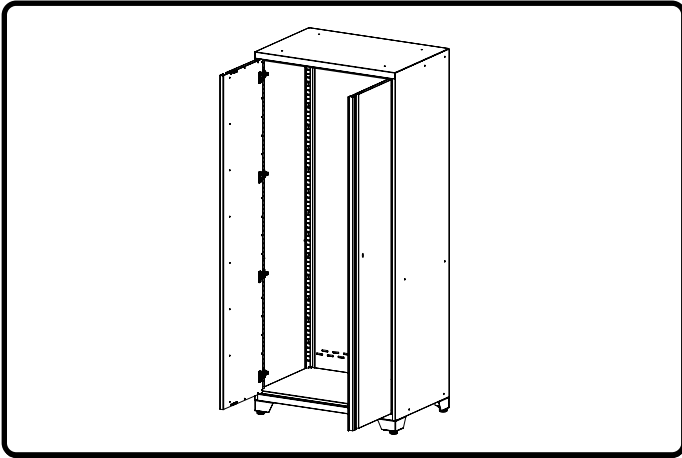
Removing Drawers.

Slide drawer out completely

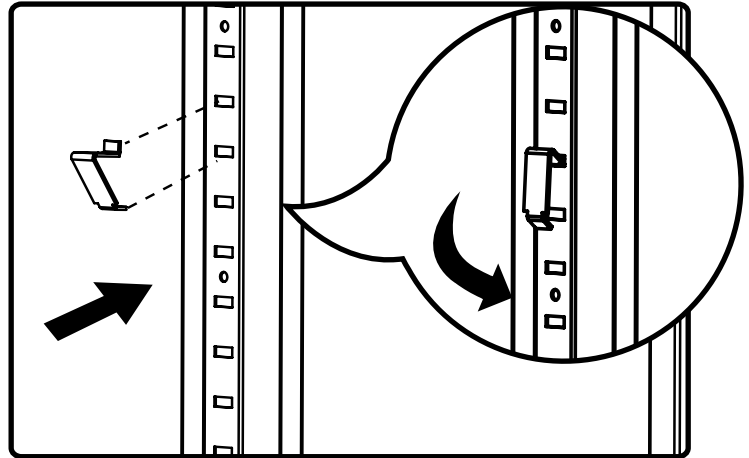


Inserting Locker Utility Rod and Hangers

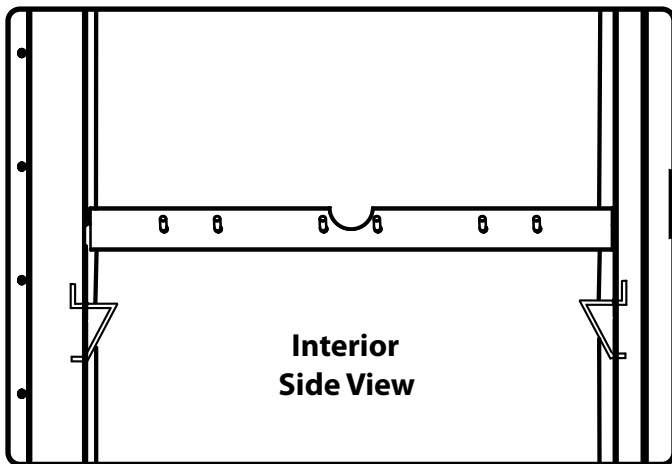
1 Open cabinet Doors.



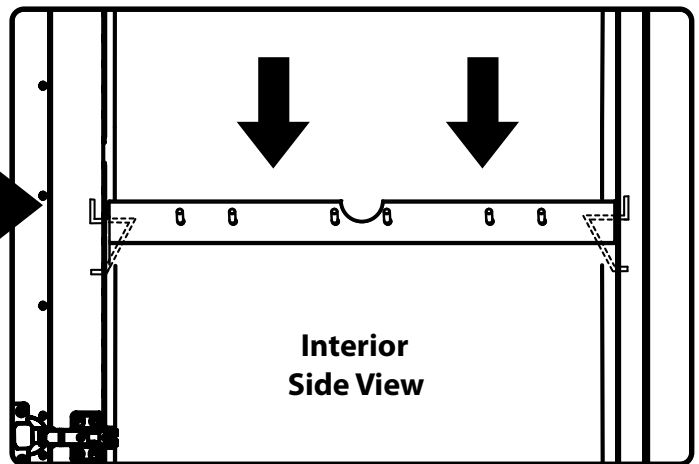
2 Insert clips into slots in corners. Rotate to engage.



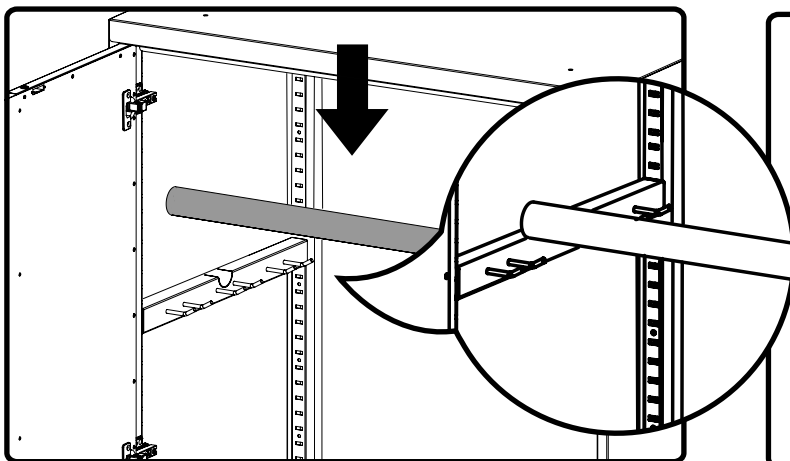
3 Place hanger against locker wall above supports.



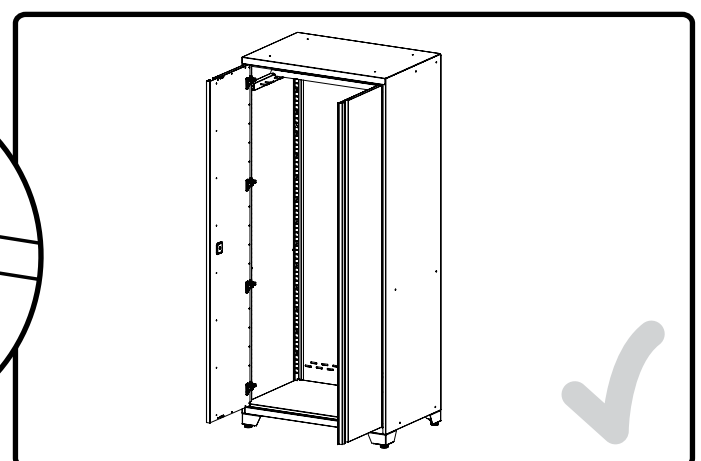
4 Ensure rear flange slides down behind clips and that the bracket is secure.



5 Lower rod into cradle.



6

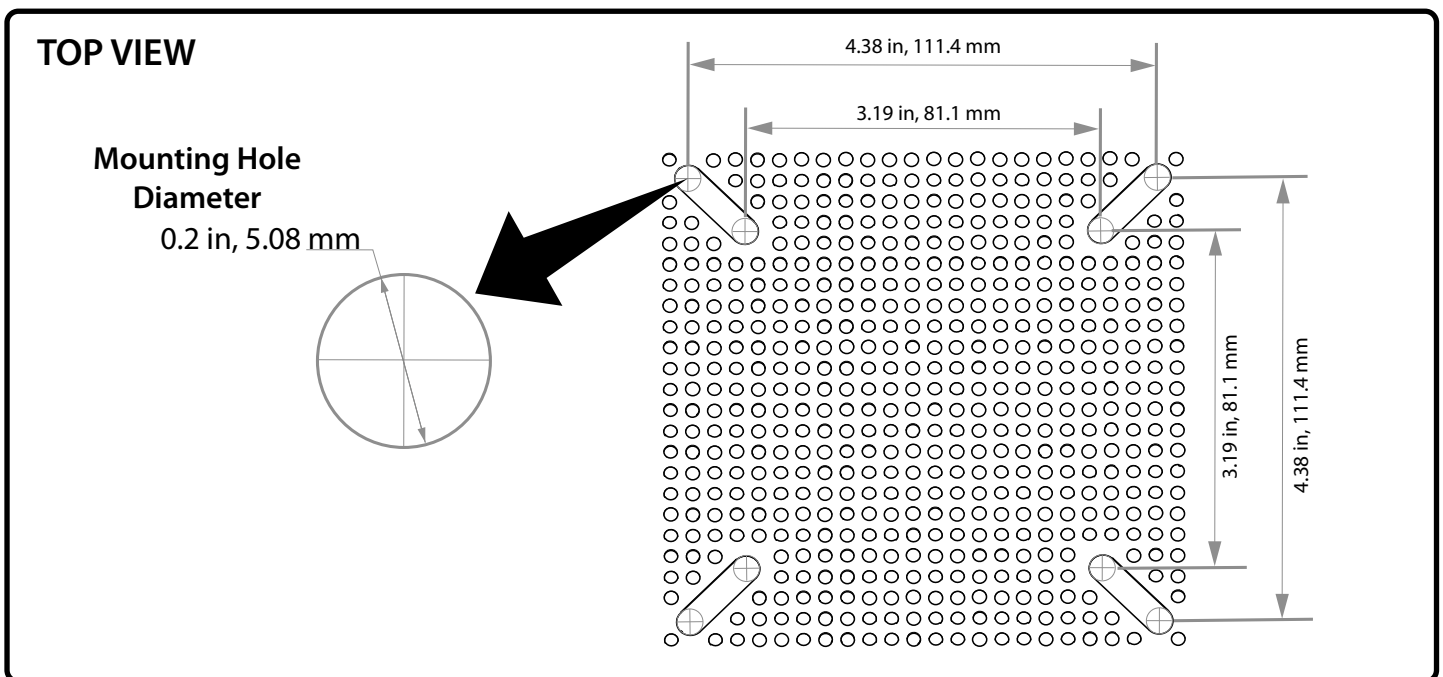


Mounting the Fan onto Lockers (Optional)

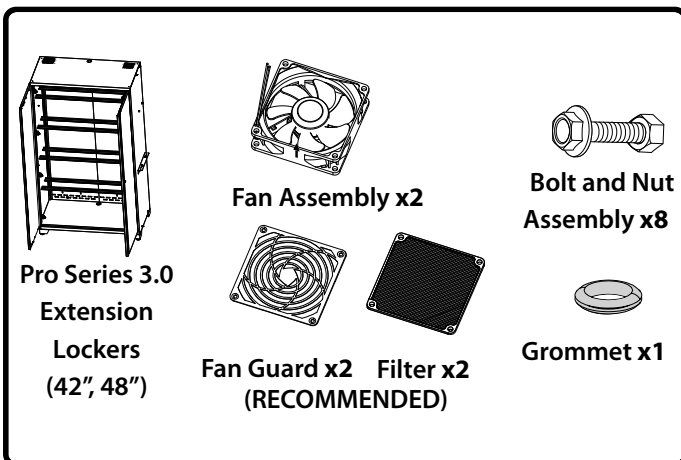
Warning

Fan installation is optional and any of the fan components are not included in the package. Such fan can only be installed onto **Pro 42"** and **Pro 48"** Extended Lockers.

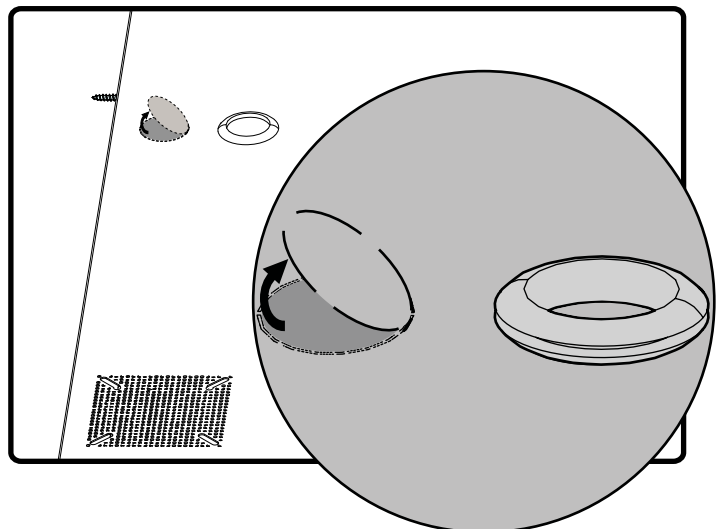
- DO NOT stand inside the locker during fan installation.
- Its customer's responsibility that the fan installation meet the **National Electrical Code**.
- Customer has to purchase aftermarket fan. 90mm to 120mm width (3.5in to 4.72in) are the recommended fan sizes. Please refer to the minimum and maximum W X H hole locations on the fan to ensure fans are compatible.
- Refer to the mounting hole diameter below. The outer diameter of the Bolts should be 0.2 in/ 5.08 mm or smaller.



Parts Required.

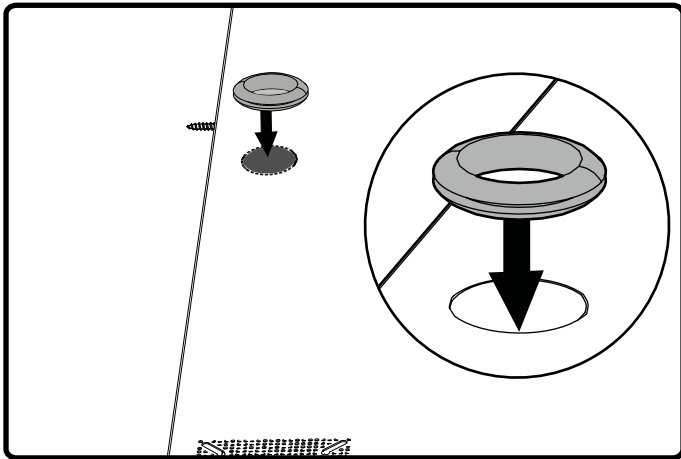


1 Using the pre-defined hole location on locker, create an opening to feed the wires that are provided with the fan assembly.

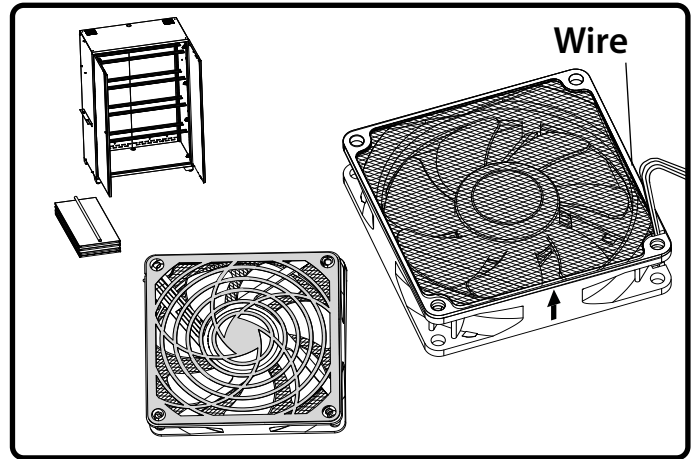


Mounting the Fan onto Lockers (Optional)

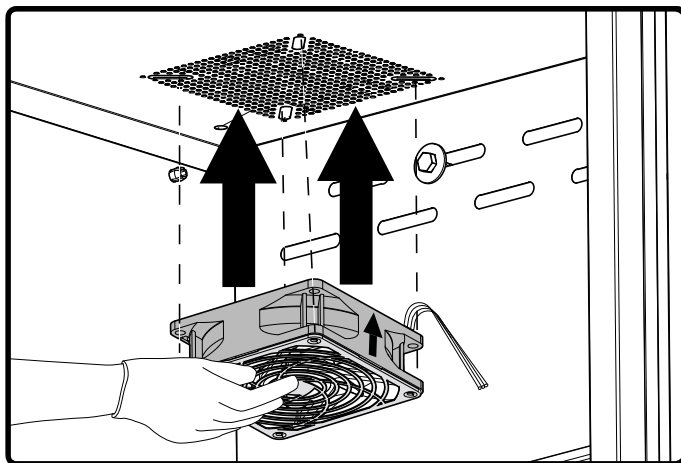
- 2** Add a rubber grommet, provided in the hardware box, around the opening.



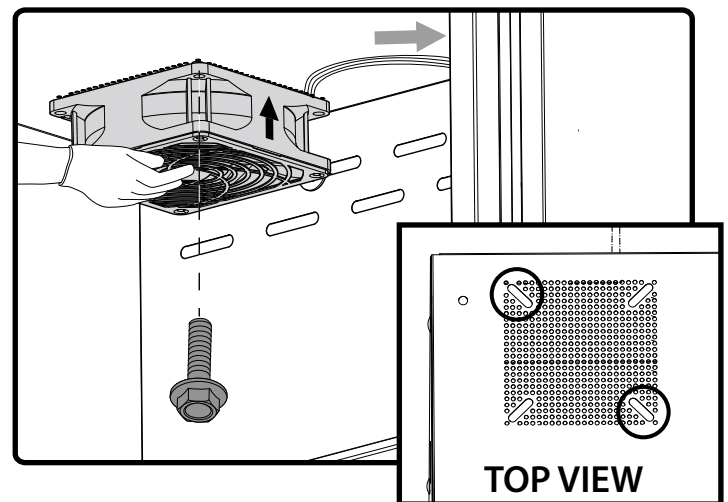
- 3** Attach the Filter and Fan guard onto the Fan Assembly as per supplier's instructions. Remove Locker shelves.



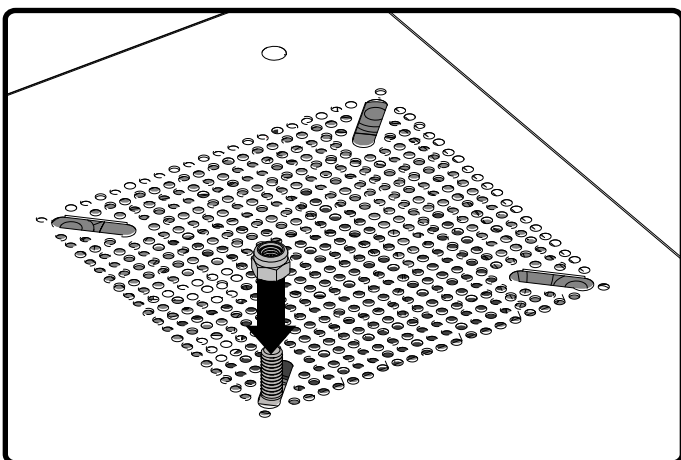
- 4** Place the fan assembly from underneath the Locker and hold as shown.



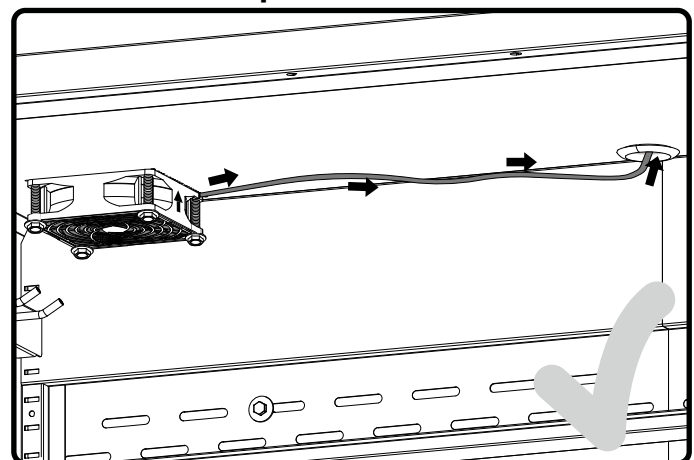
- 5** From underneath, insert the bolt into the diagonal mounting holes of Fan Assembly.



- 6** Tighten the nuts on the bolts from outside of the Locker. Repeat step 5 and step 6 for remaining bolts.

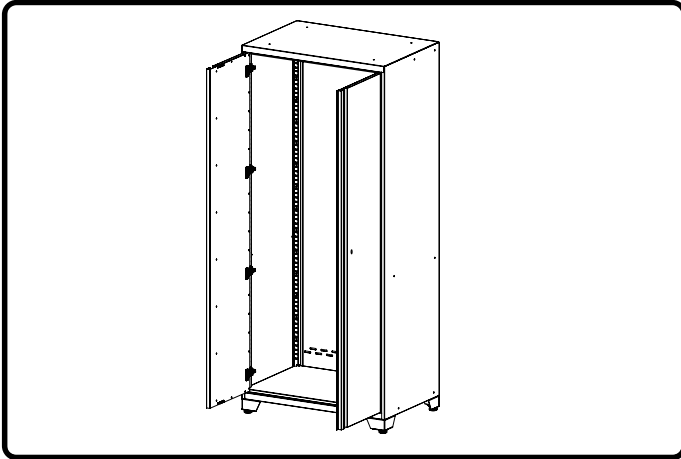


- 7** Route the wire upto to the power source through grommet. Follow similar steps and install second fan.

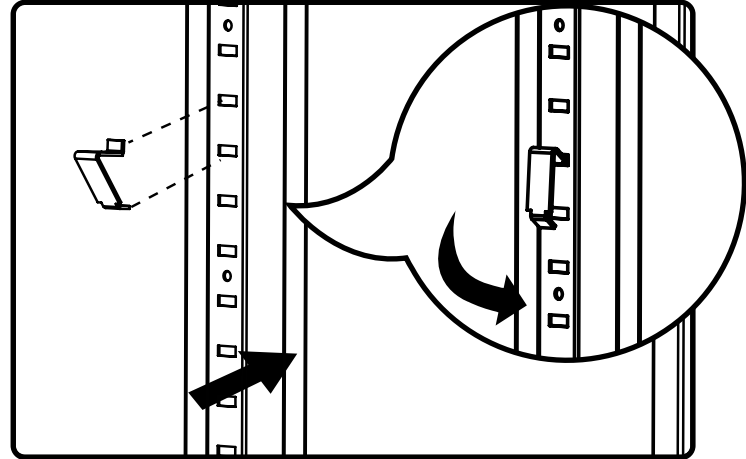


Inserting Cabinet Shelves

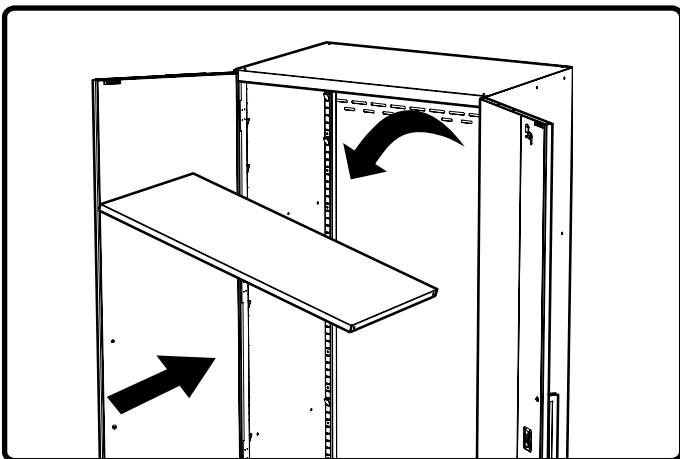
1 Stand cabinet up.



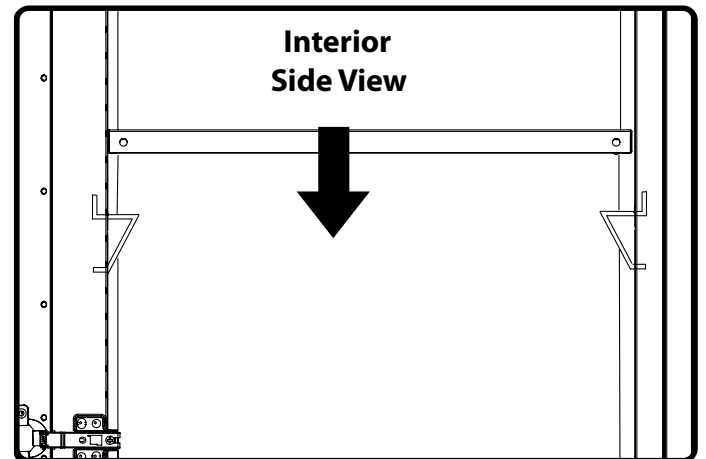
2 Insert shelf clip on slight angle and rotate to level position.



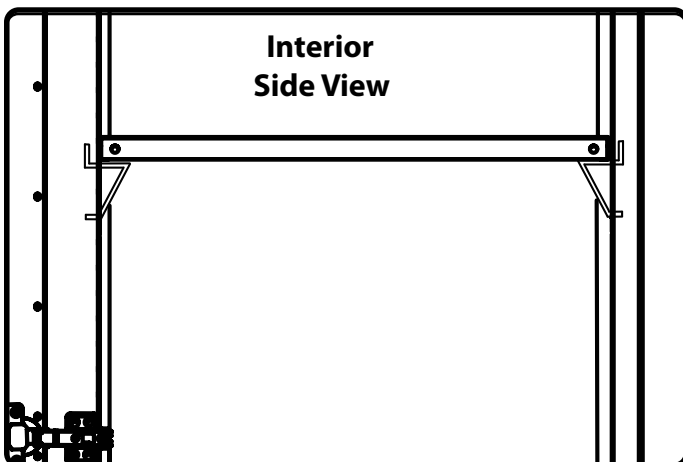
3 Insert shelf on a angle and rotate to level position.



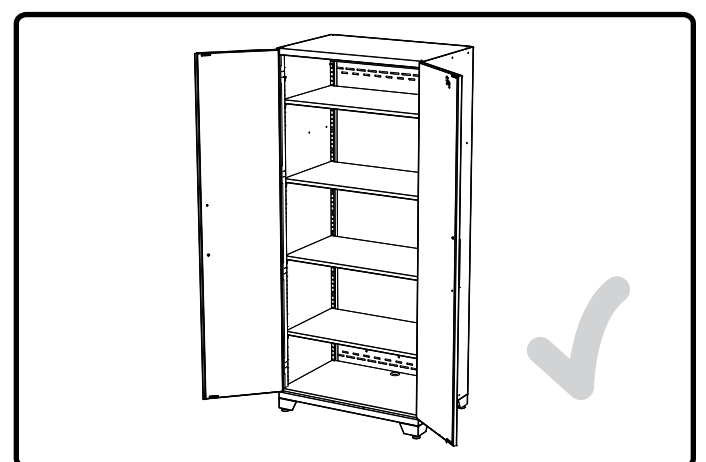
4 Lower shelf onto supports.



5 Rest shelf on supports.

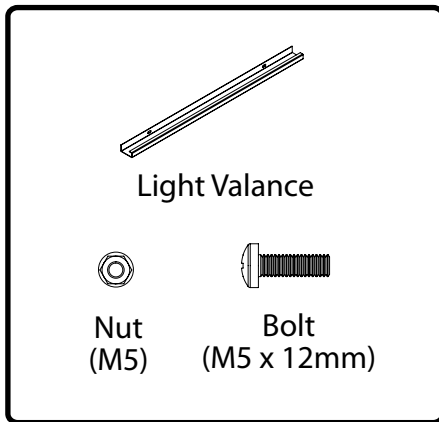


6 Insert remaining shelves.

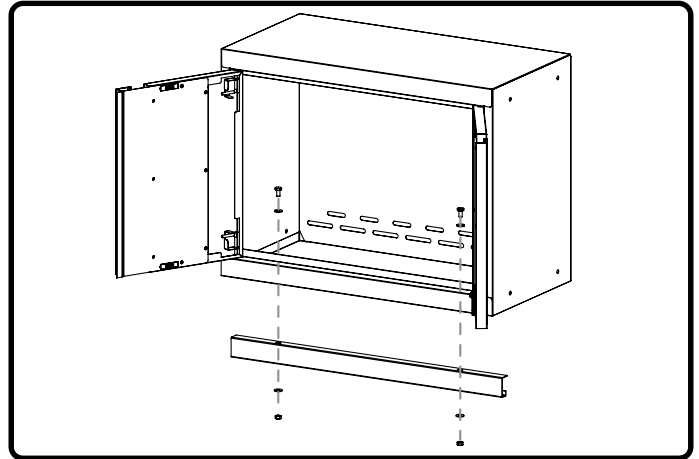


Attaching Light Valance to Wall Cabinet

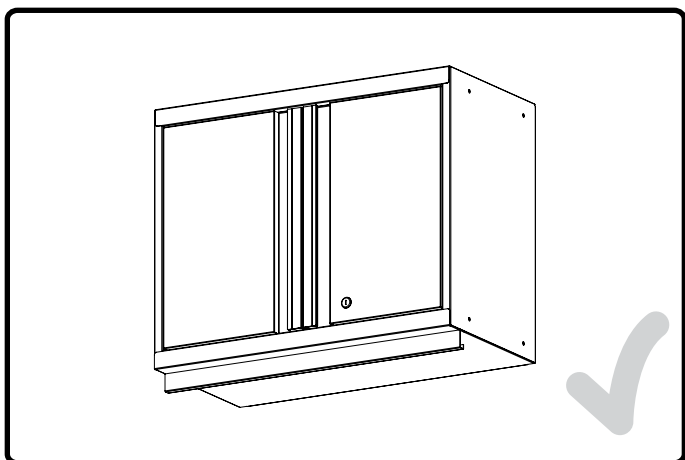
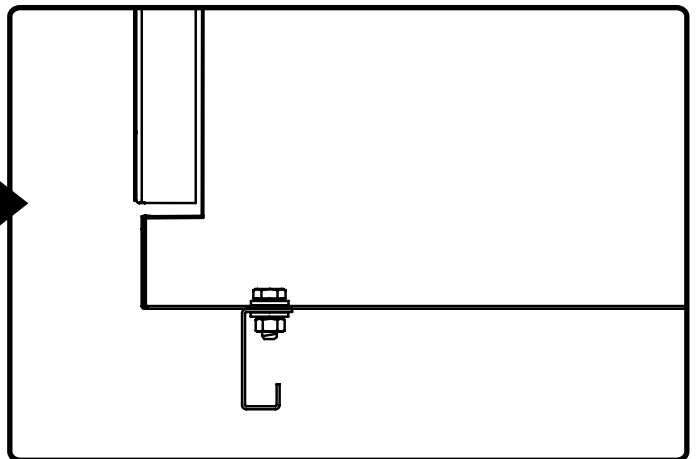
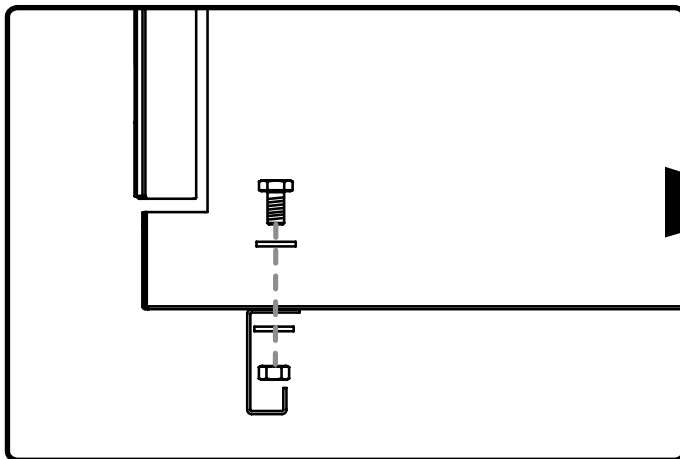
1 Parts Needed.



2 Insert and tighten bolt and nuts.

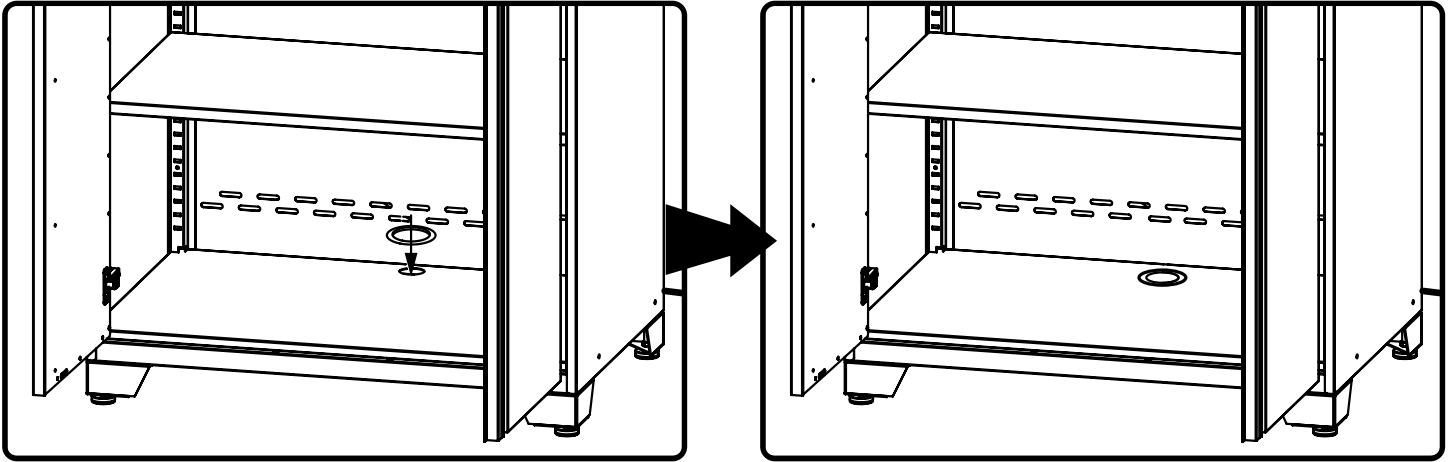


3 Cross Section View

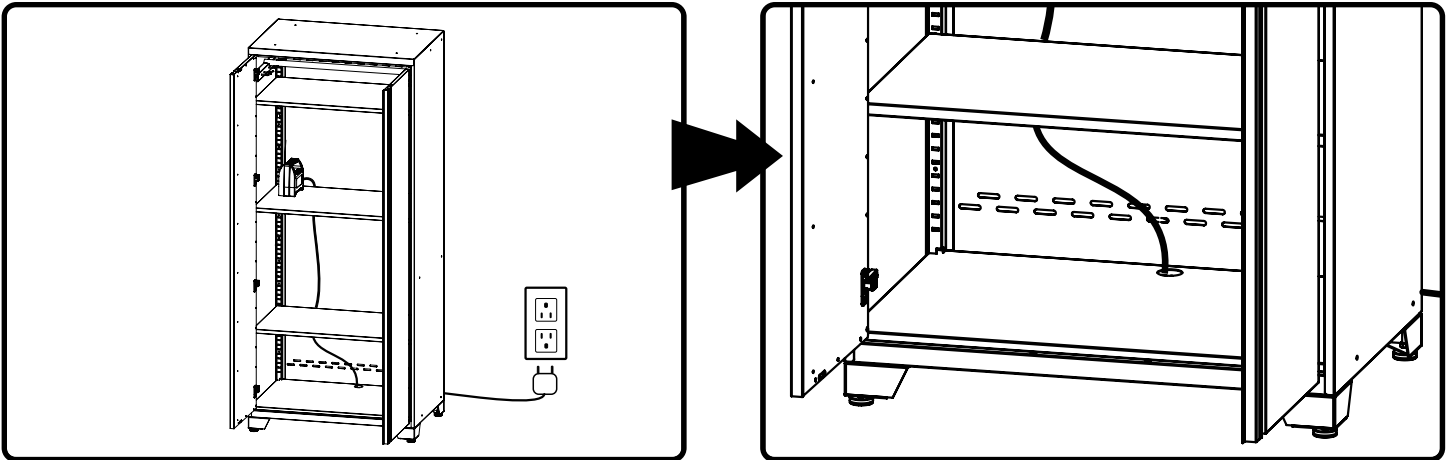


Utility Access

- 1 Insert rubber grommet into cut-out hole in bottom panel.



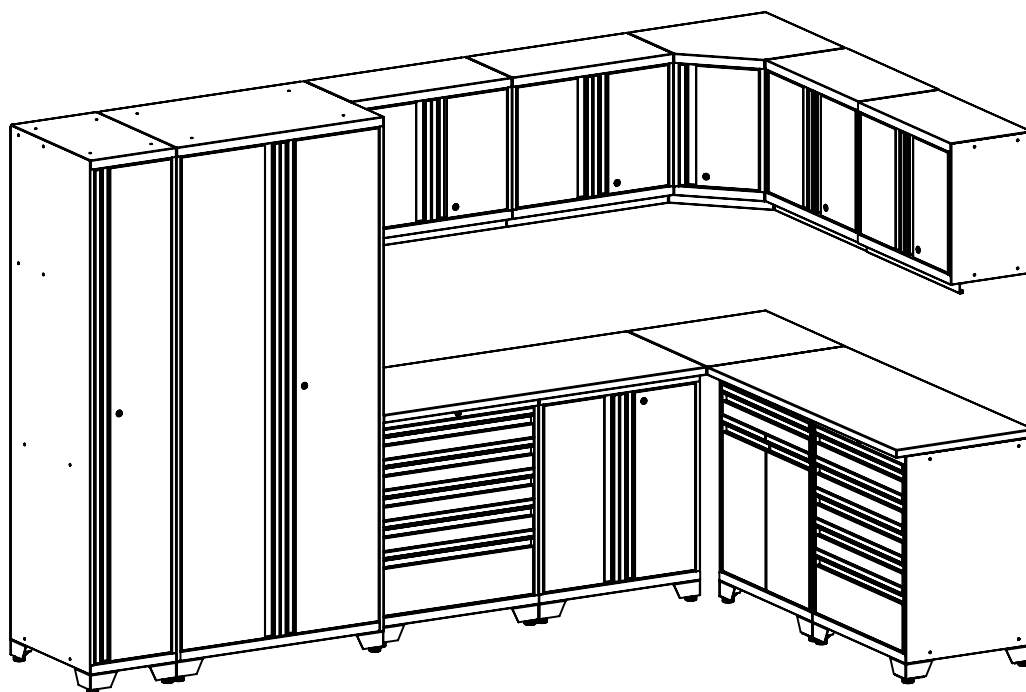
- 2 Utility hole allows easy access to electrical outlet



Thank you for purchasing a NewAge Product!

Please give us a call or visit online if you have any questions.

Call 1.877.306.8930; e-mail at info@newageproducts.com



Ébénisterie Série Pro 3.0

GUIDE D'INSTALLATION

AVERTISSEMENT: RISQUE DE POIDS EXCESSIF!



Déplacer, assembler ou installer les armoires et armoires-vestiaires avec l'aide de deux personnes ou plus. Dans le cas contraire, il pourrait en découler des blessures au dos ou autre. Ne pas laisser les enfants sans surveillance près des armoires. Risque élevé de basculement si les armoires ne sont pas installées correctement : Fixer solidement les armoires au mur pour éviter des blessures graves. Pour obtenir de l'aide, composer le 1.877.306.8930; ou envoyer un courriel à l'adresse info@newageproducts.com.



ATTENTION:

Est votre armoire endommagée?
Avez vous besoin d'aide ou de pièces de rechange?
Contactez NewAge Products a 1-877-306-8930; ou support@newageproducts.com.
Ne pas retourner au détaillant.

INDICE

NewAge Products Inc. Garantie du Fabricant de la Série Garage	3
Déballage	4
Outils nécessaires	4
Pièces fournies	5
Pièces incluses dans le paquet de matériel	6
Pièces détachées	6
Plan de travail, Directive and Capacité de poids	7
Options d'installation pour les armoires	8
Installation des Montage Au Sol	9
Support Mural	10
Installation d'armoire de coin	11
Fixation des armoires au mur (facultatif)	12
Fixation des armoires sur une paroi à lattes	15
Assemblage des armoires (cloison sèche et cloison creuse a colombage)	16
Fixation des armoires	17
Emboitement des armoires	18
Montage du plan de travail (sur 2 armoires)	19
Installation du palier de support lateral du plan de travail	20
Installation des armoires de coin	21
Installation des pieds	22
Installation des roulettes	23
Installation des tiroirs	24
Insertion de la tige utilitaire du casier et des cintres	25
Montage du ventilateur sur les casiers (facultatif)	26
Insertion des étagères d'armoire	28
Fixer le cache-neon a l'armoire murale	29
Trous d'accès	30

NEWAGE PRODUCTS INC. GARANTIE DU FABRICANT DE LA SÉRIE PRO

UNE PREUVE D'ACHAT EST REQUISE POUR OBTENIR UN SERVICE DE GARANTIE.

Veillez disposer des informations suivantes lorsque vous appelez notre service clientèle:

- Nom, adresse et numéro de téléphone
- Nom du produit / numéro de SKU
- Une description claire et détaillée du problème
- Preuve d'achat avec numéro de commande

Enregistrez votre achat de produits NewAge en ligne pour l'assistance aux clients et l'accès à des avantages exclusifs

Visitez www.newageproducts.com/register/

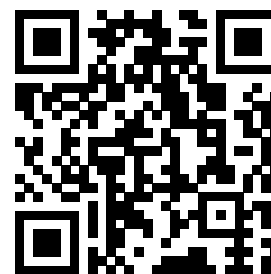
Réclamations de garantie

Pour le service de garantie, veuillez contacter NewAge Products au 1-877-306-8930; ou support@newageproducts.com

Veillez consulter tous les détails de la garantie ci-dessous, avant de contacter NewAge Products pour une réclamation.

Scannez le code QR à droite pour accéder à notre page d'assistance ou

visitez www.newageproducts.com/contact-us/



Scannez ce code QR avec l'appareil photo sur votre appareil mobile pour visiter le Centre d'assistance des produits NewAge www.newageproducts.com/support-hub/

GARANTIE LIMITÉE À VIE

CE QUI EST COUVERT

Lorsque ce produit est installé, utilisé et entretenu conformément aux instructions jointes ou fournies avec le produit, NewAge Products Inc. remplacera le produit ou les pièces défectueuses si la pièce tombe en panne en raison de matériaux défectueux ou de fabrication pendant la durée de la garantie à partir de la date d'achat du produit.

CE QUI N'EST PAS COUVERT

1. Les appels de service pour corriger l'installation de tout produit NewAge ou pour vous montrer comment les utiliser ou les installer.
2. Les dommages résultant de produits causés par un accident, une utilisation abusive, un abus, un incendie, une inondation, une installation incorrecte, un cas de force majeure, une négligence, une modification ou une mauvaise manipulation.
3. Les produits endommagés en raison d'une charge supérieure au poids maximum précisé dans les instructions fournies avec le produit.
4. Les réparations ou le remplacement lorsque votre produit est utilisé pour un usage autre que résidentiel normal, comme un milieu commercial, ou portatif d'une manière incohérente avec les instructions d'installation.
5. Les dommages cosmétiques, y compris les éraflures, les marques, les entailles ou les fissures dans la peinture qui n'affectent pas la capacité fonctionnelle ou structurelle du produit.
6. Surfaces endommagées en raison d'une mauvaise utilisation de produits chimiques et de détergents.
7. Les pièces de rechange pour des produits NewAge à l'extérieur du Canada et des États-Unis.
8. Une perte en raison d'un vol.
9. Les dommages résultant d'une utilisation contraire du produit et non conforme au manuel d'instructions.
10. Tous les frais de main-d'œuvre pendant la période de garantie.
11. Les clés ou mécanismes de verrouillage de rechange.

EXCLUSION DE GARANTIES IMPLICITES

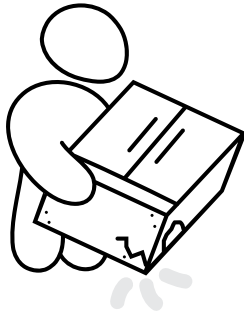
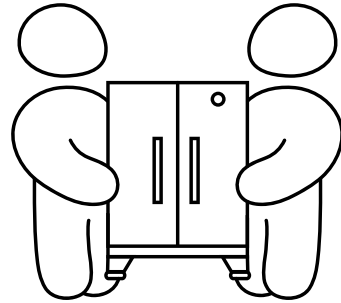
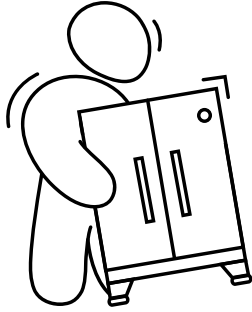
LES GARANTIES IMPLICITES, Y COMPRIS, DANS LA MESURE OÙ CELA EST APPLICABLE, LES GARANTIES DE QUALITÉ MARCHANDE OU DE CONFORMITÉ À UN USAGE PARTICULIER, SONT EXCLUES DANS LA LIMITE OÙ LA LOI LE PERMET. TOUTE GARANTIE IMPLICITE QUI POURRAIT ÊTRE IMPOSÉE PAR LA LOI DOIT SE LIMITER À UN AN, OU À LA PÉRIODE LA PLUS COURTE PERMISE PAR LA LOI. CETTE GARANTIE EST LIMITÉE À L'ACHETEUR ORIGINAL. Certains états et provinces n'autorisent pas les limitations de durée des garanties implicites de qualité marchande ou d'adéquation, de sorte que cette limitation peut ne pas s'appliquer à vous. Cette garantie vous donne des droits légaux spécifiques, et vous pouvez également avoir d'autres droits qui varient d'un état à l'autre ou d'une province à l'autre.

LIMITATION DES RECOURS; EXCLUSION DES DOMMAGES ACCESSOIRES ET CONSÉCUTIFS

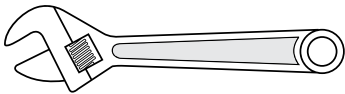
VOTRE SEUL ET EXCLUSIF RECOURS EN VERTU DE CETTE GARANTIE LIMITÉE SERA LA RÉPARATION OU LE REMPLACEMENT DU PRODUIT À NOTRE DISCRÉTION COMME PRÉVU ICI. NEWAGE NE SERA PAS RESPONSABLE DES DOMMAGES ACCESSOIRES OU INDIRECTS. Certains états et provinces n'autorisent pas l'exclusion ou la limitation des dommages accessoires ou consécutifs, de sorte que ces limitations et exclusions peuvent ne pas s'appliquer à vous. Cette garantie vous donne des droits légaux spécifiques, et vous pouvez également avoir d'autres droits qui varient d'un état à l'autre ou d'une province à l'autre.

Déballage

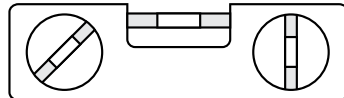
- Commencer par placer la boîte sur une surface plate recouverte.
- Retirer tout le carton, le matériel d'emballage en mousse et les sacs en plastique transparent.
- Mettre au rebus ou recycler tous les matériaux d'emballage.
- Vérifier tout le contenu de la boîte et rassembler les outils nécessaires. Voir Pièces fournies et Outils nécessaires ci-dessous.



Outils nécessaires



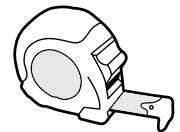
1 x clé ajustable



1 x vérin magnétique de 12 po



1 x localisateur de montants



1 x ruban à mesurer



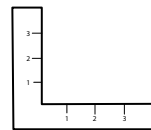
1 x cle a douilles de 7/16 po



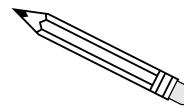
1 x cle a douilles de 8mm



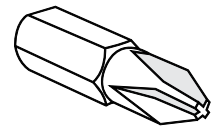
1 x douille de 7/16 po



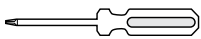
1 x équerre à dessin



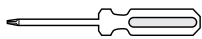
1 x crayon



1 x tournevis Phillips #2



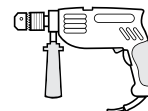
1 x tournevis cruciforme Phillips #2



1 x tournevis cruciforme Phillips #3



1 x perceuse mécanique sans fil



1 x marteau perforateur



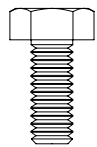
1 x meche à maçonnerie

[facultatif pour la maçonnerie]

Pièces fournies

Type	Pièces	Casiers Multi-usage et de soutien	Mobile Locker	Mur	Coin de mur	Two-Door Base	Base À Deux Portes	Outil À Cinq Tiroirs	Armoire à outils à 7 tiroirs de 28po	Armoire à outils à 7 tiroirs de 42po	Casiers Étendus De 42 Po	Casiers Étendus De 48 Po
Paquet Contenant les Pièces	Vis à bois (#8 x 5/8 po)	2	0	0	8	4	4	4	4	4	2	2
	Rondelle de OD (1/4 po)	18	28	12	8	12	12	12	12	12	16	16
	Contre-écrou 1/4 po	8	20	4	0	4	4	4	4	4	8	8
	Boulon a tete hexagonale(1/4 po x 5/8 po) tete hexagonale de 7/16 po	4	4	4	4	4	4	4	4	4	8	8
	Vis murale de 1/4"x 2,5"	8	8	8	12	8	8	8	8	8	8	8
	Boulon a tete hexagonale(1/4 po x 5/8 po) tete hexagonale de 7/16 po	10	20	4	8	4	4	4	4	4	8	8
	Vis pour les pieds	17	0	0	0	17	17	17	17	17	17	17
	Clès	2	2	2	2	2	2	2	2	2	2	2
	Boulons pour cache-neon	0	0	2	2	0	0	0	0	0	0	0
	Ecrous pour cache-neon	0	0	2	2	0	0	0	0	0	0	0
	Support	22	18	6	0	0	0	0	0	0	20	20
Pièces Supplémentaire	Bouchons En Plastique	16	0	8	0	0	0	0	0	0	16	16
	Pattes de mise à niveau en acier ajustables en hauteur	4	0	0	0	4	4	4	4	4	4	4
	Passerelle caoutchouc	1	1	0	0	1	0	0	0	0	2	2
Pièces incluses	Roulettes pivotantes de 4 po	0	2	0	0	0	0	0	0	0	0	0
	Roulettes Fixes de 4 po Avec Freins	0	2	0	0	0	0	0	0	0	0	0
	Tablettes ajustables sur toutes la largeur	4	2	1	0	0	0	0	0	0	4	4
	Pattes d'armoires	4	0	0	0	4	4	4	4	4	4	4
	Tringles à vêtements	1	1	0	0	0	0	0	0	0	1	1
	Tringle à vêtements	2	2	0	0	0	0	0	0	0	2	2
	Doublure de tiroir	0	0	0	0	1	3	5	7	7	0	0
	Poubelle	0	0	0	0	0	1	0	0	0	0	0
	Cache-neon	0	0	1	1	0	0	0	0	0	0	0
	Logo NewAge	1	1	0	0	0	0	0	0	0	1	1
	Bacs de rangement	0	0	0	0	0	24	0	0	0	0	0
	Séparateurs de tiroirs long	0	0	0	0	0	0	8	12	12	0	0
Séparateurs de tiroir courts	0	0	0	0	0	0	8	12	12	0	0	
Support Inclus	Support Latéral	1	0	0	2	0	0	0	0	0	1	1
	Support murale	2	2	2	2	2	2	2	2	2	2	2

Pièces incluses dans le paquet de matériel



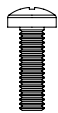
Vis à tête hexagonale (1/4 po x 5/8 po)



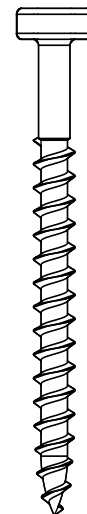
Vis pour pieds



Écrous (M5)



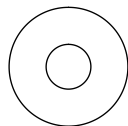
Boulon (M5 x 12mm)



Vis murale (1/4 po x 2,5 po)



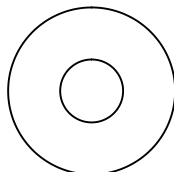
Contre écrou (1/4 po)



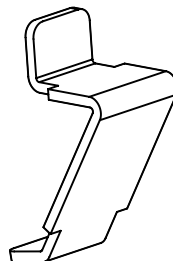
Rondelle (1/4 po)



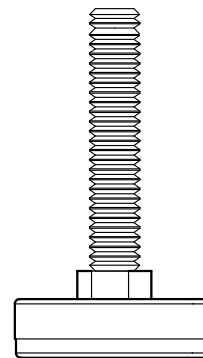
Vis à bois (#8 x 5/8 po)



Passerelle caoutchouc (1/4" x 0.9-in)

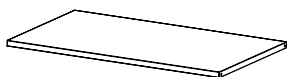


Support d'étagère

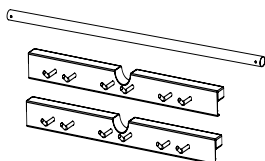


Pattes de mise à niveau en acier ajustables en hauteur

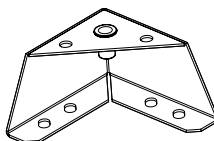
Pièces détachées



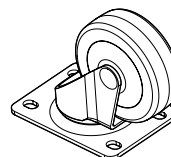
Tablettes ajustables sur toute la largeur



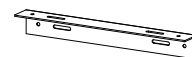
Tringle à vêtements et crochets



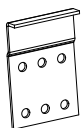
Pattes de mise à niveau en acier ajustables en hauteur



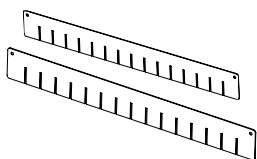
Casters



Support murale



ss



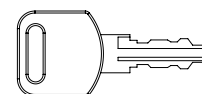
Séparateur pour tiroirs



Passerelle caoutchouc

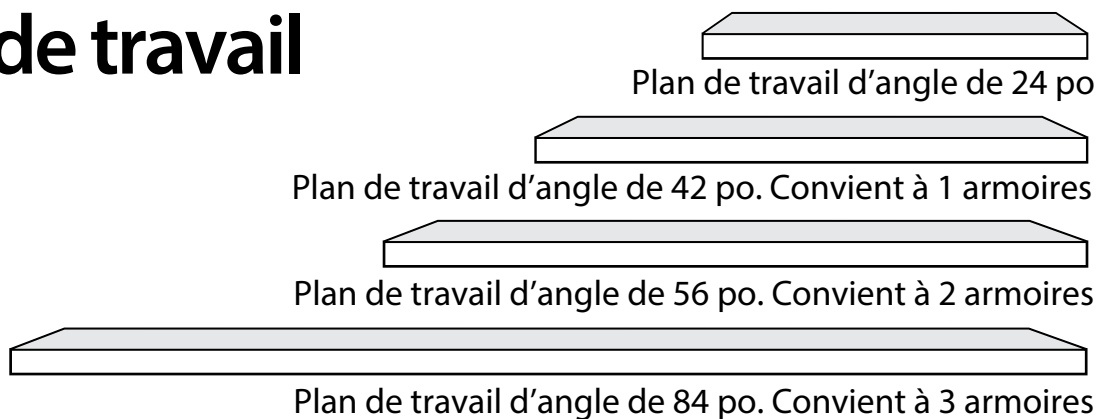


Cache-néon



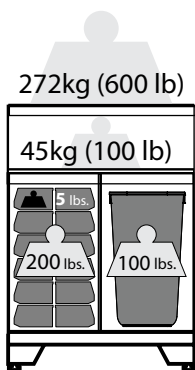
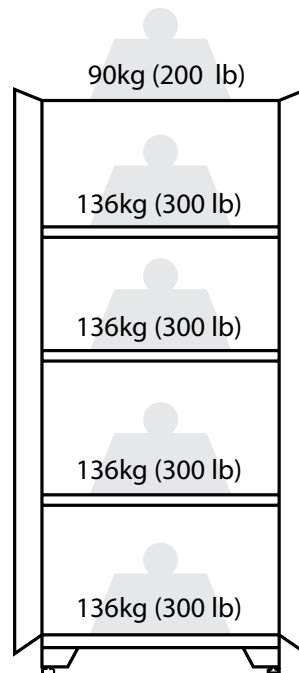
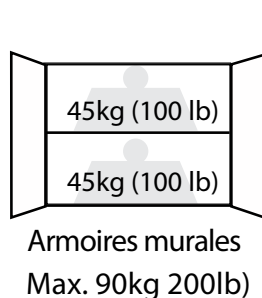
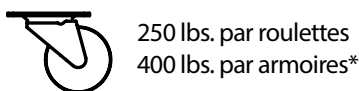
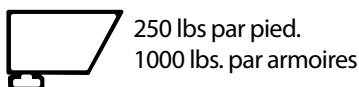
Clé

Plan de travail

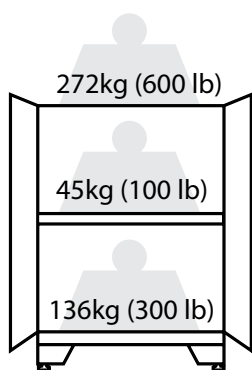


Capacité de poids

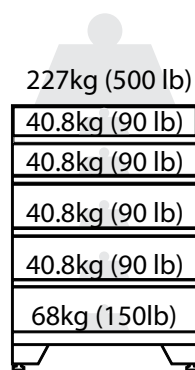
REMARQUE: Les capacités de poids déclarées ne concernent que les plans de travail Newage installés.



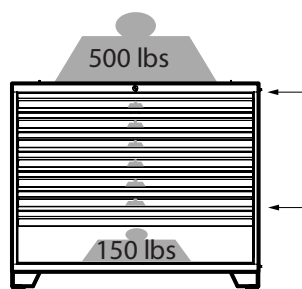
Armoires séparée
Max. 453,6kg 1000lb



Armoires sur plancher
Max. 453,6kg 1000lb



Armoires à outils
Max. 453,6kg 1000lb



Armoire à outils à 7 tiroirs

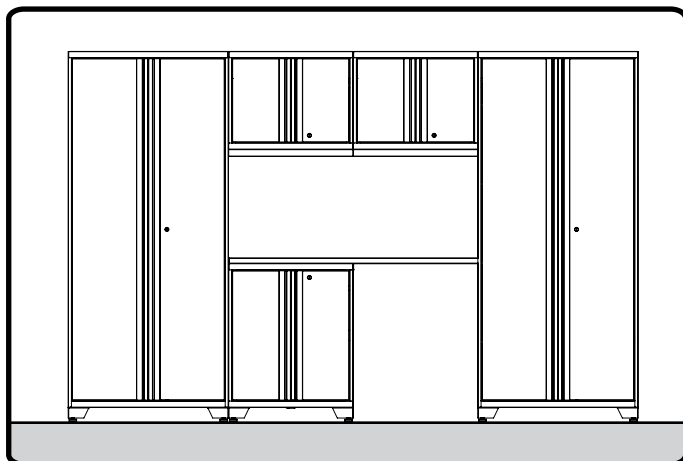
Capacité de 60 lb chacun
pour 6 petites étagères

Options d'installation pour les armoires

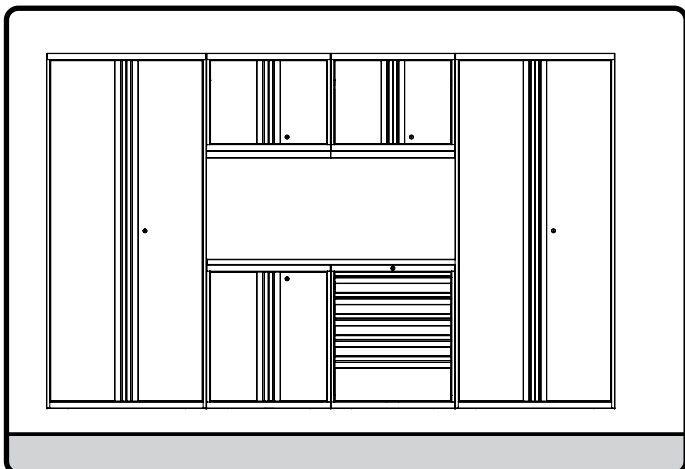
i **Importantes informations :** Veuillez lire les instructions avant de commencer l'installation.

- Les dispositions présentées ne sont que des exemples. En fonction des achats des clients, les armoires peuvent être configurées de différentes manières.
- Repérez les montants avant l'installation.
- Lors de la planification de la disposition, s'assurer de prendre en compte l'emplacement des prises électriques.
- Mesurez la hauteur des armoires murales.
- Les armoires sur plancher peuvent être alignées en façade ou sur le fond des cases.

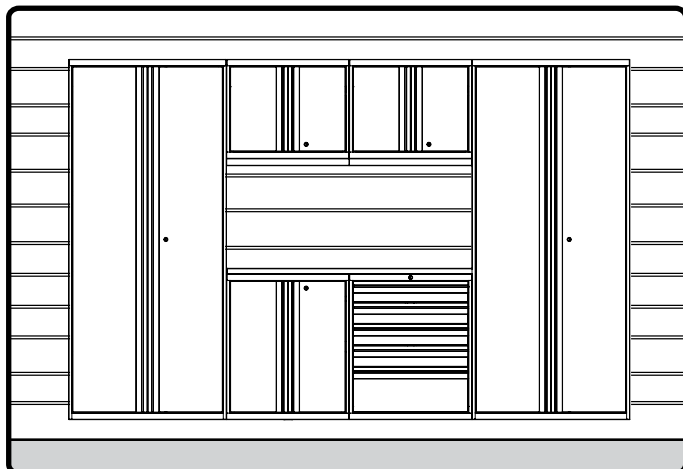
1 Fixation au sol avec des pieds de nivellement réglables. Voir page 8.



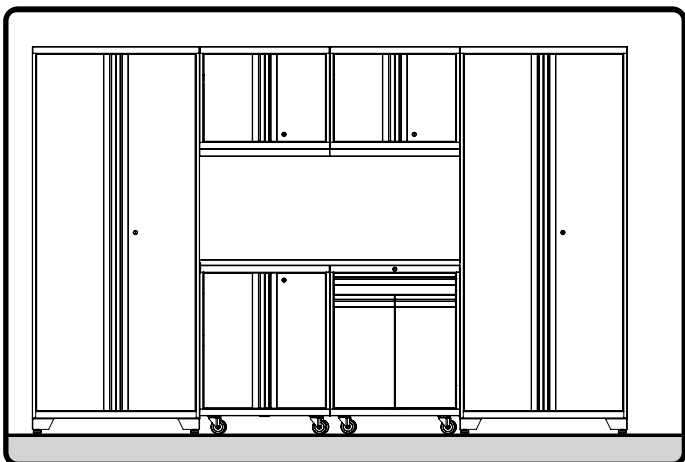
2 Fixation murale à l'aide des supports de fixation murale fournis. Voir page 9.



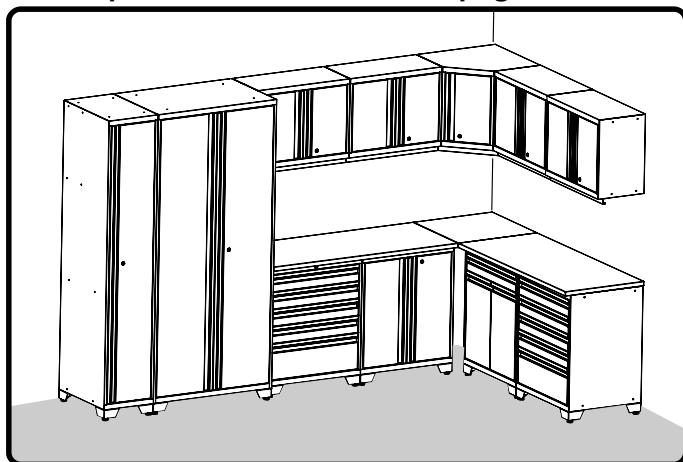
3 Fixation murale sur un panneau rainuré à l'aide d'un support pour panneau rainuré. Voir page 9.



4 Montage au sol avec roulettes et pieds de nivellement réglables. **Remarque :** Les roulettes ne peuvent pas être installées sur les cases. Voir page 8.



5 Installation d'armoire de coin. **Remarque :** Les armoires de coin peuvent être installées en utilisant toutes les options d'installation. Voir page 10.

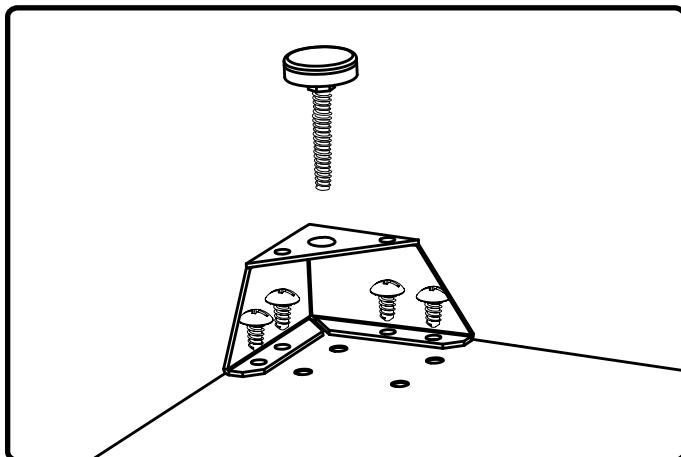


Installation des Montage Au Sol

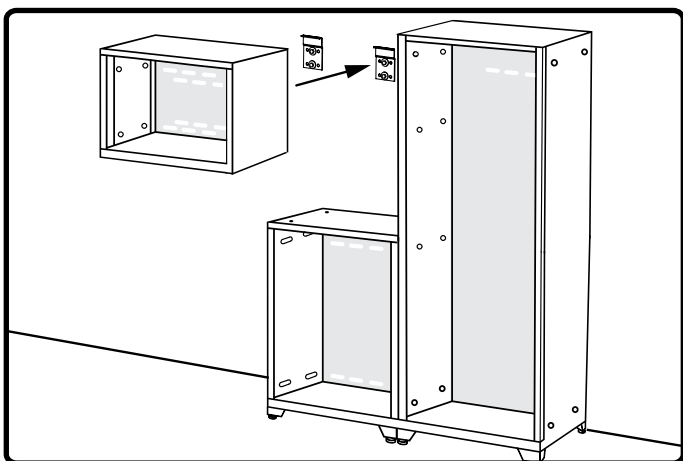
i Prévoyez la disposition avant d'installer les armoires

- Les armoires doivent être fixées au mur.
- Les roulettes ne peuvent pas être installées sur les cases.

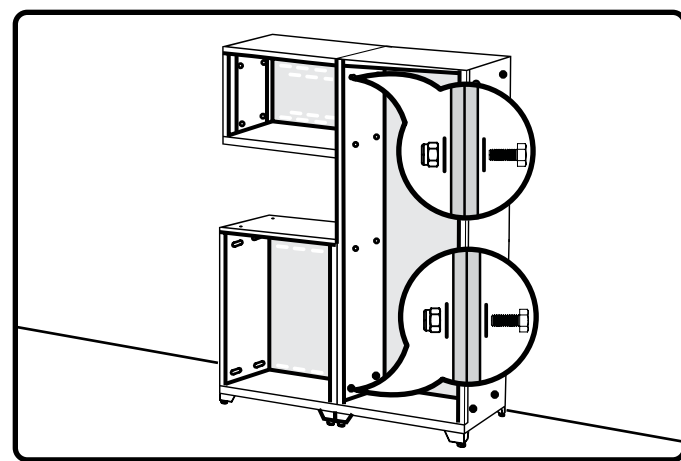
1 Fixez les pieds/roulettes aux armoires. Voir l'installation complète des pieds aux pages 22 et 23.



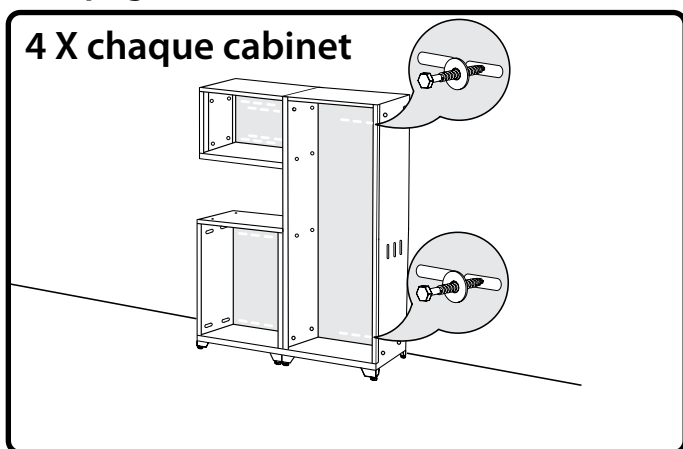
2 Armoire murale suspendue Voir les instructions complètes aux pages 9-14.



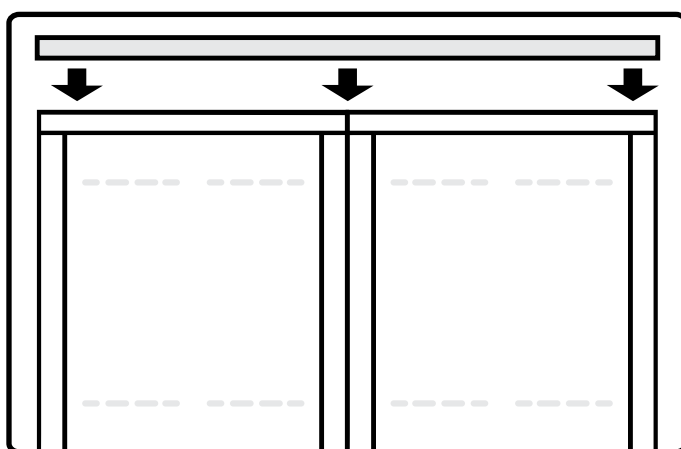
3 Raccordez les armoires ensemble. Voir l'étape de fixation des armoires à la page 16.



4 Fixez toutes les armoires au mur. Voir les instructions complètes à la page 15.



5 Fixer le plan de travail. Voir les instructions complètes aux pages 18 - 19.

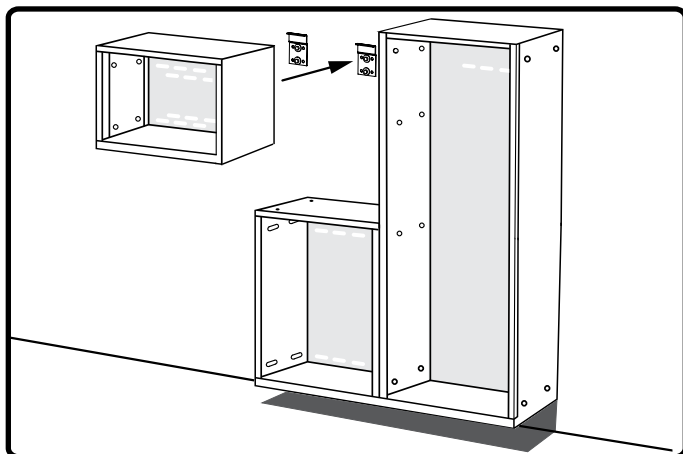


Support mural

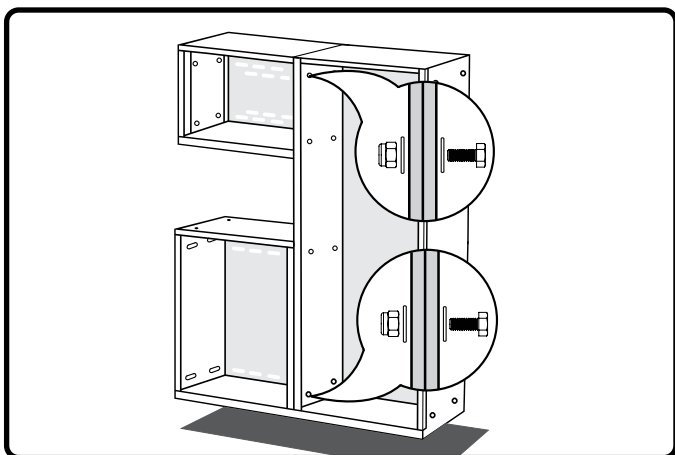
i Prévoyez l'installation avant d'installer les armoires

- Les armoires doivent être fixées au mur

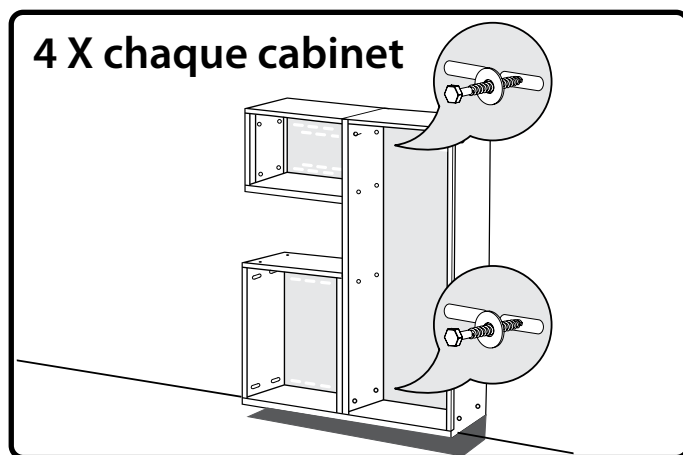
1 Armoire murale suspendue Voir les instructions complètes aux pages 9-14.



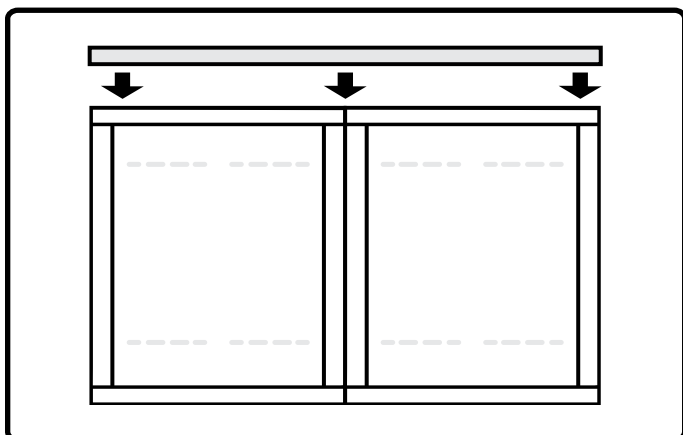
2 Raccordez les armoires ensemble. Voir l'étape de fixation des armoires à la page 16.



3 Fixez toutes les armoires au mur. Voir les instructions complètes à la page 15.



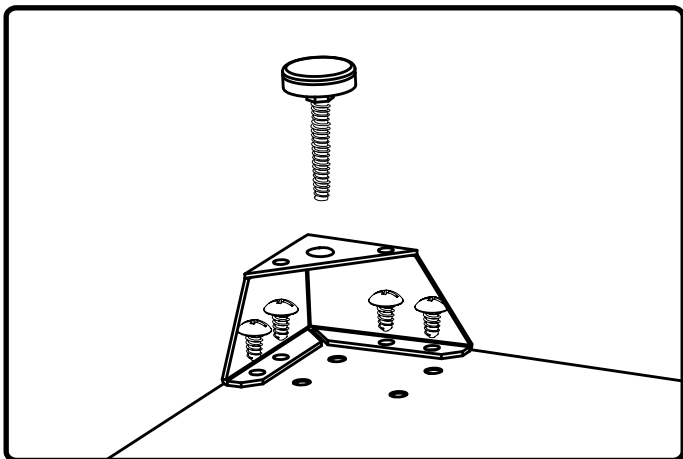
4 Fixer le plan de travail. Voir les instructions complètes aux pages 18 et 19.



Installation d'armoire de coin

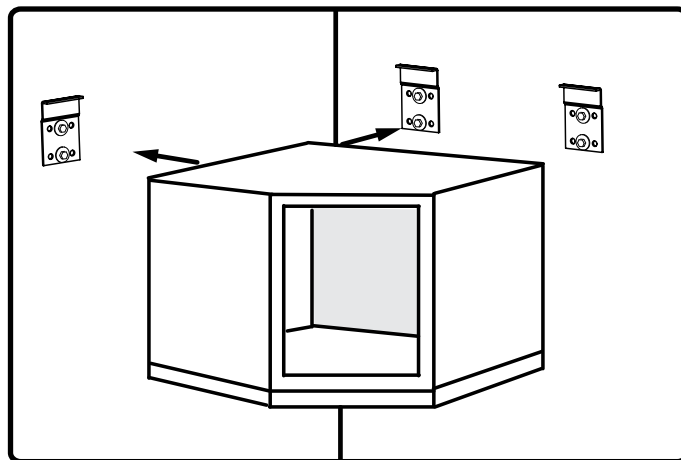
Fixez les pieds/roulettes aux armoires. Voir l'installation complète des pieds aux pages 22 et 23. Remarque : Les roulettes ne peuvent pas être installées sur les cases.

1

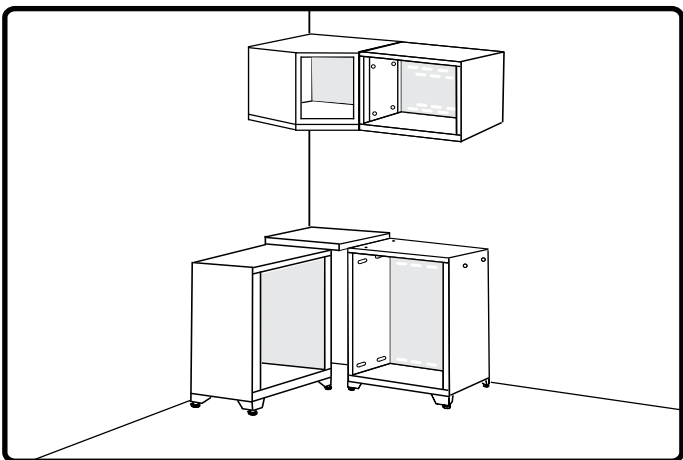


Armoire murale suspendue Voir les instructions complètes aux pages 9-14.

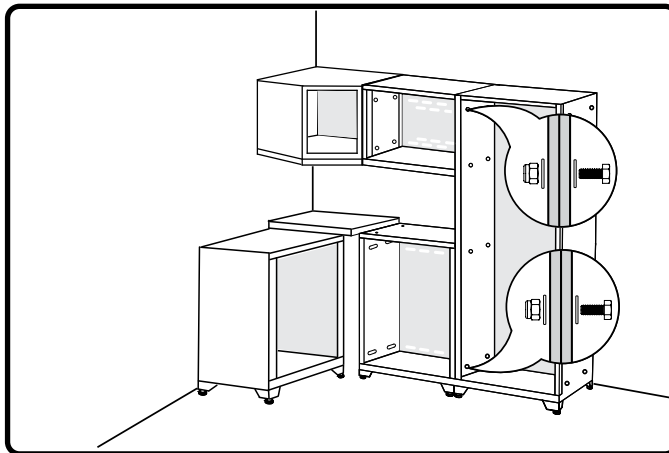
2



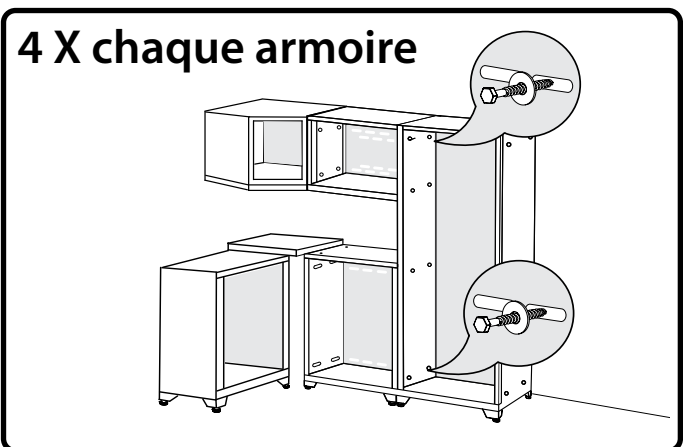
3 Installez un plan de travail et des armoires de coin. Voir page 20.



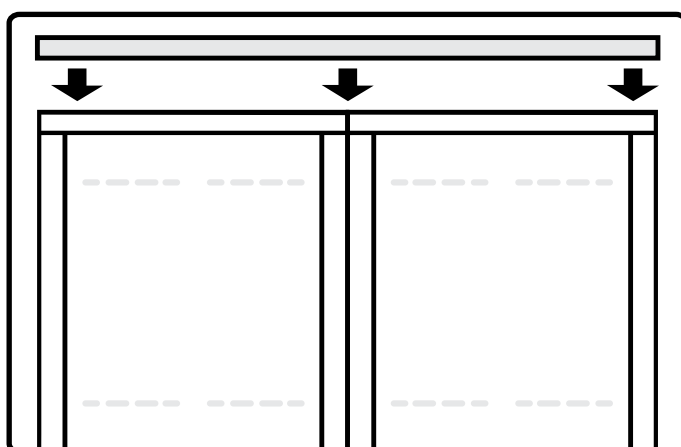
4 Raccordez les armoires ensemble. Voir l'étape de fixation des armoires à la page 16.



5 Fixez toutes les armoires au mur. Voir les instructions complètes à la page 15.

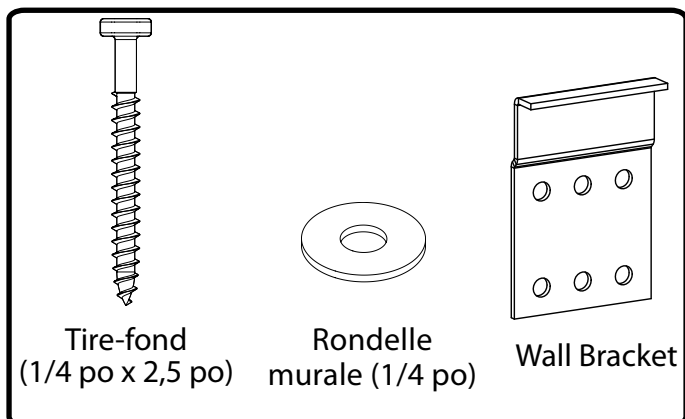


6 Fixer le plan de travail. Voir les instructions complètes aux pages 18 et 19.

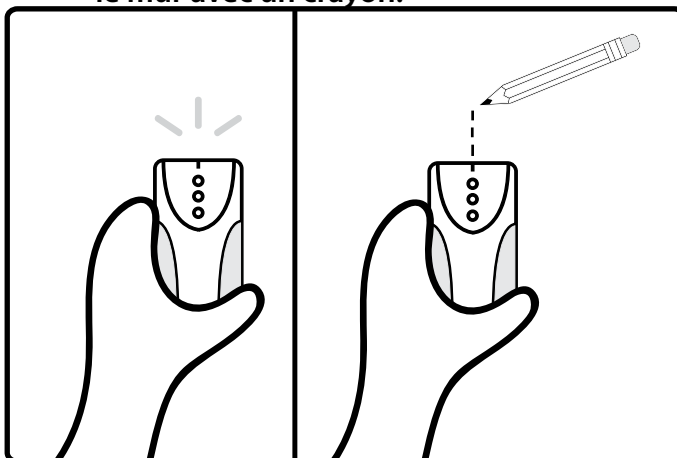


Fixation des armoires au mur (facultatif)

i Pièces nécessaires.



1 Utiliser le localisateur de montants pour repérer les montants et faire une ligne sur le mur avec un crayon.

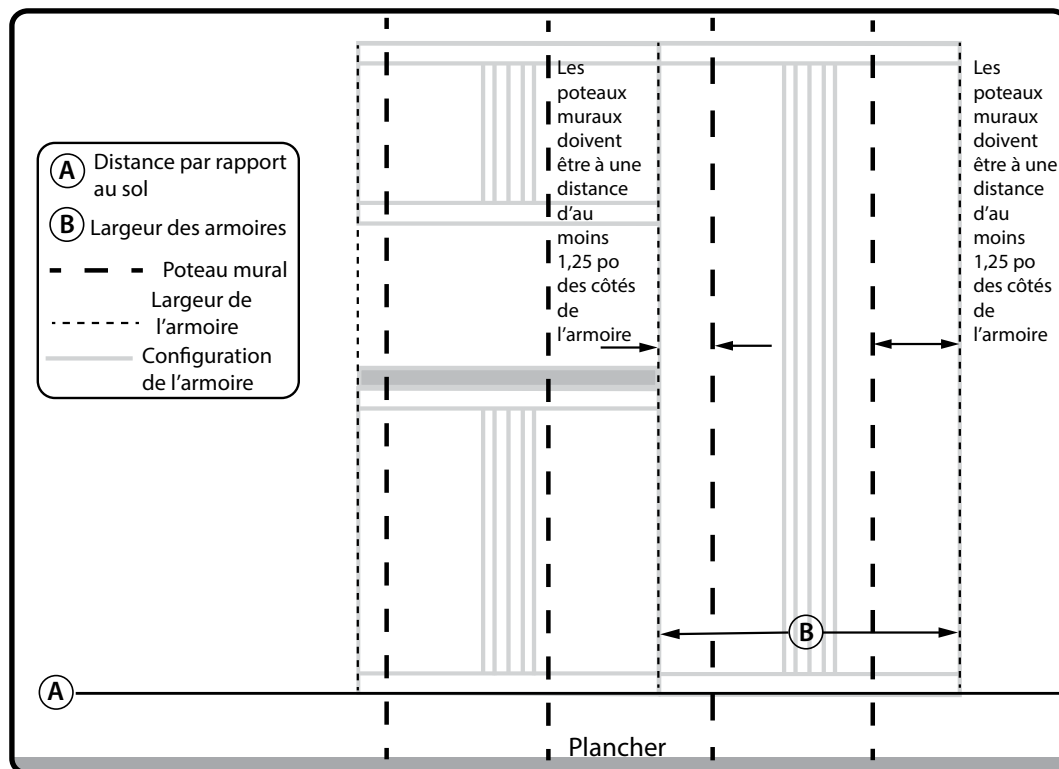


2 Planification de la position générale des armoires.

Étape A. Déterminer la hauteur à laquelle vous aimeriez installer les armoires sur plancher et armoires-vestiaires et tracer une ligne horizontale à cet endroit.

Étape B. Indiquer ensuite la largeur de chaque armoire dans la position voulue en veillant à ce que les poteaux muraux soient au moins à une distance minimale de 1,25 po du bord des armoires. Ce faisant, il n'y aura pas d'impact avec les bords de l'armoire et le support mural lors de l'installation de l'armoire sur le mur.

Remarque : S'assurer d'avoir deux poteaux pour l'armoire-vestiaire à installer puisqu'il est plus facile de commencer d'abord par installer l'armoire-vestiaire. En raison de l'espacement des poteaux muraux, il est possible que certaines armoires sur plancher ou armoires murales n'aient qu'un poteau auquel les fixer. Cela ne pose pas problème à condition que l'armoire soit fixée à une armoire solidement installée.

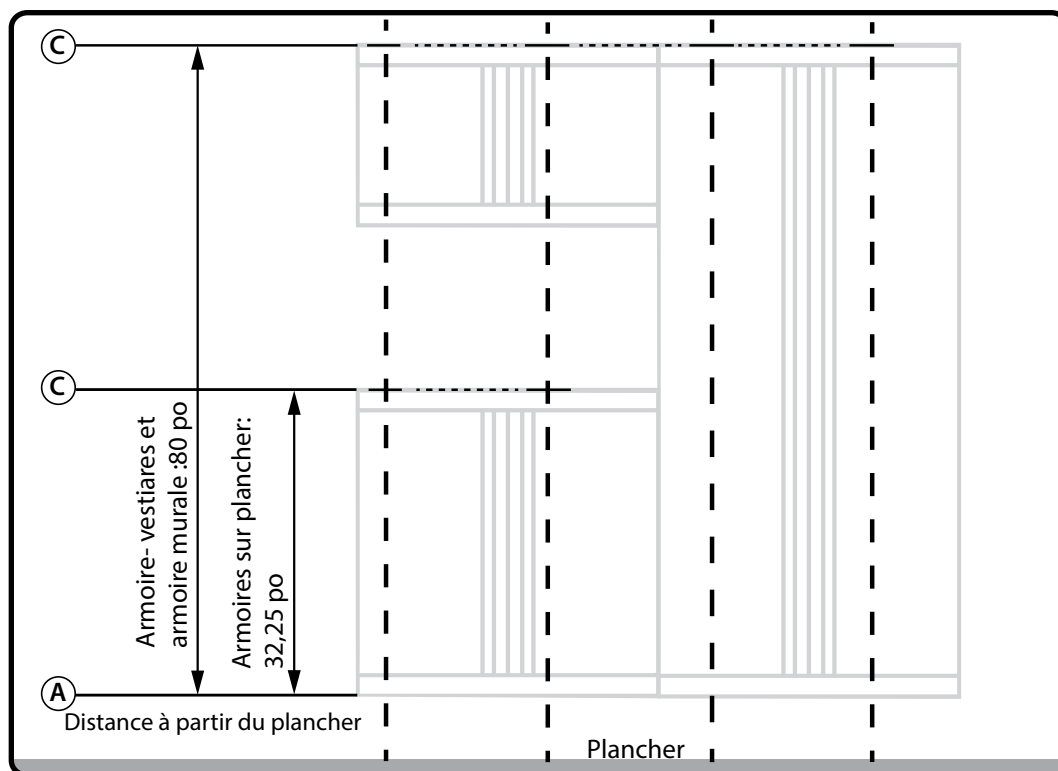


Fixation Des Armoires

3 Planification de la position générale des armoires (suite)

Étape C. En mesurant à partir de la ligne faite à l'étape A, faire une marque horizontale à la hauteur à laquelle elle croise les marques du panneau mural pour déterminer la hauteur de l'armoire voulue (et l'endroit où installer le support).

1. **Armoire-vestiaire :** Mesurer une distance de 80 po à partir de la ligne de référence et faire une marque aux emplacements des montants.
2. **Armoire sur plancher :** Mesurer une distance de 32,25 po à partir de la ligne de référence et faire une marque aux emplacements des montants.
3. **Armoires murales :** Mesurer une distance verticale de 80 po à partir de la ligne de référence et faire une marque aux emplacements des montants (si à niveau avec le dessus de l'armoire-vestiaire).



Étape D. S'assurer que les armoires seront installées à une hauteur où il vous sera possible de travailler et que vos armoires murales ne sont pas hors de votre portée.

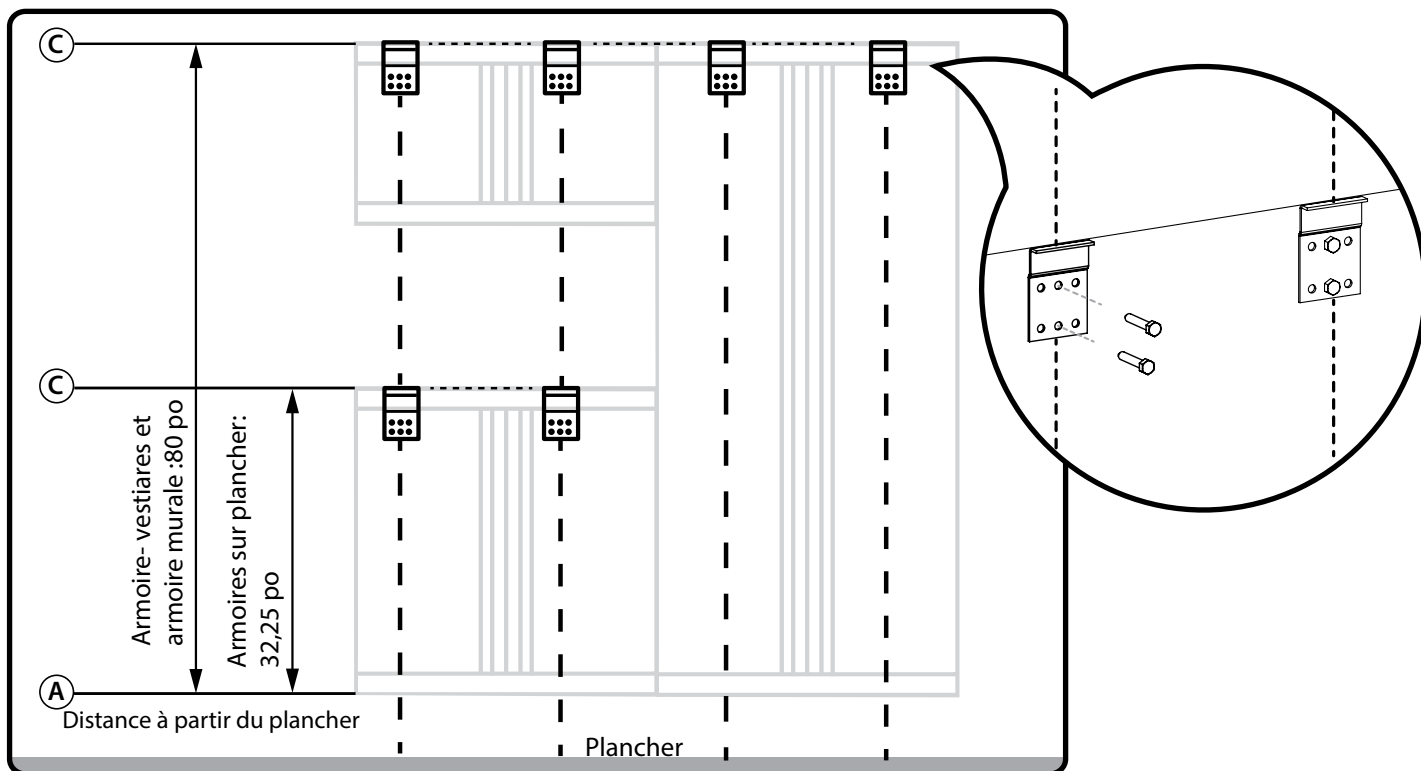
Remarque : La surface de travail des armoires sur plancher sera 1,25 po plus élevée que l'armoire avec le dessus installé.

Fixation des armoires au mur (suite)

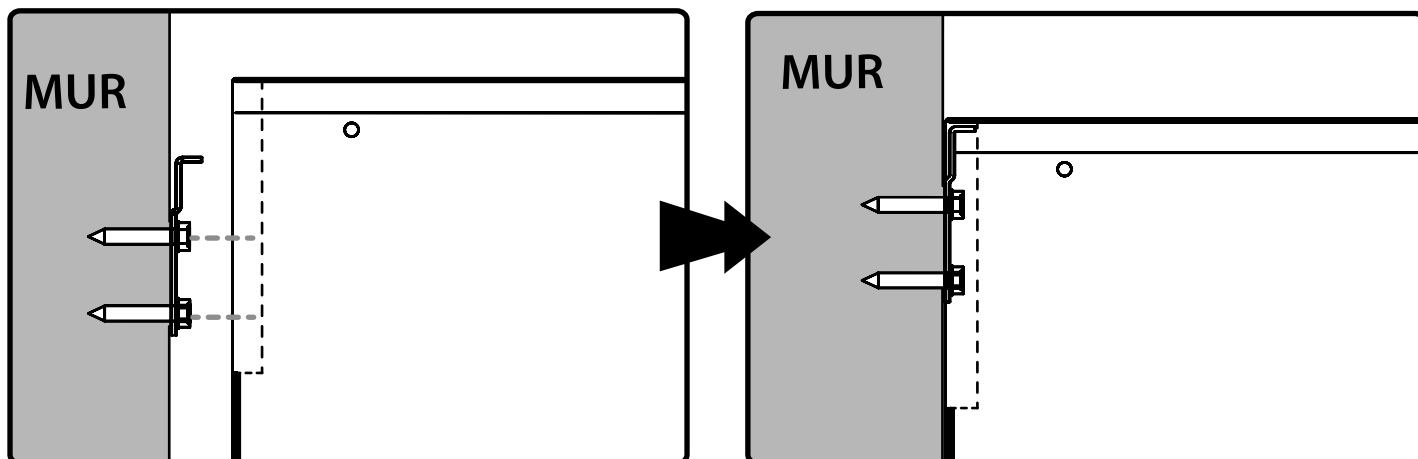
4 Fixation des armoires au mur.

Aligner le dessus des supports d'accrochage sur les lignes identifiées pour la position du dessus des armoires (étape C) et fixer solidement les supports dans les montants à l'aide des tirefonds et des rondelles fournis.

Remarque : Il est possible de contrebalancer le support vers un côté ou l'autre si celui-ci est installé près du bord de la position désirée pour l'armoire en utilisant les positions secondaires des trous sur le support.



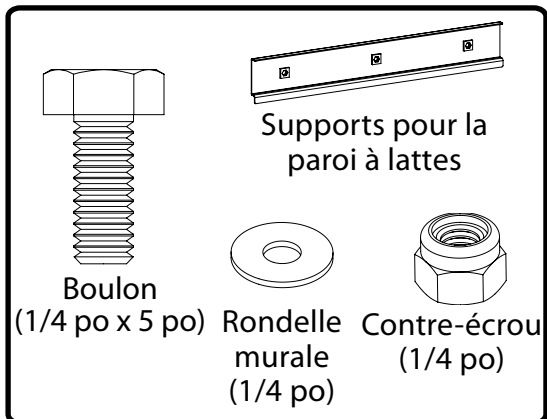
5 Soulever l'armoire au-dessus des supports et mettre à niveau par rapport au mur, puis abaisser pour la mettre en place.



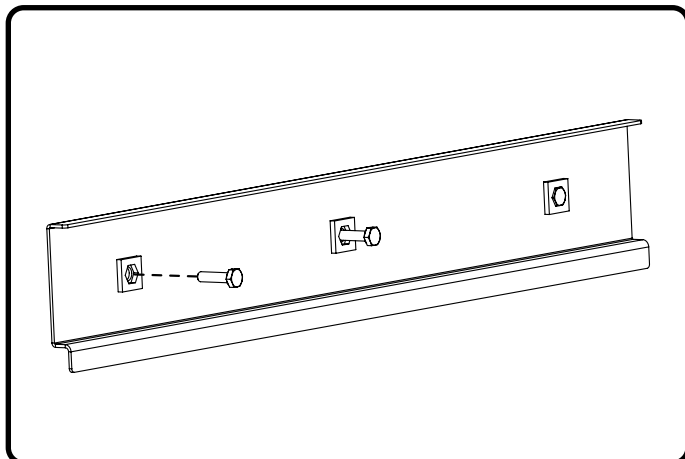
Fixation des armoires sur une paroi à lattes

Remarque : Les supports pour les parois à lattes sont vendus séparément. Vérifier auprès de votre fournisseur de parois à lattes pour déterminer la capacité nominale de votre paroi à lattes. **NE PAS SURCHARGER.**

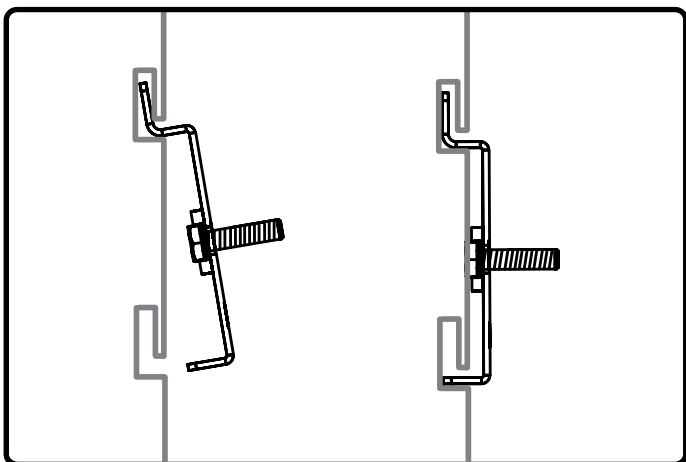
i Pièces nécessaires.



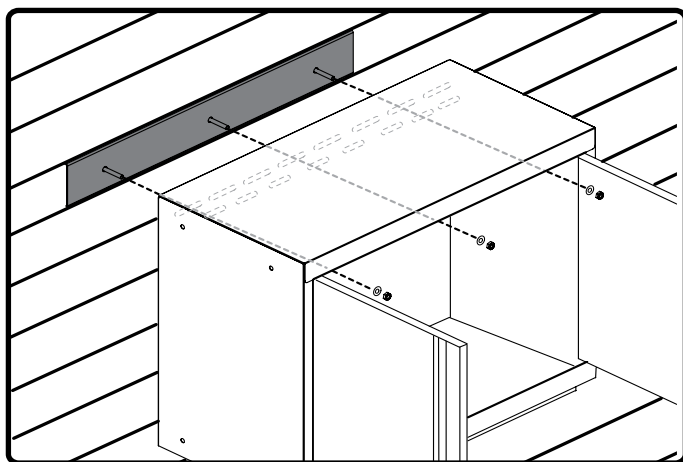
1 Insérer les boulons dans le support de la cloison sèche.



2 Fixer le support à la paroi à lattes à la hauteur voulue.



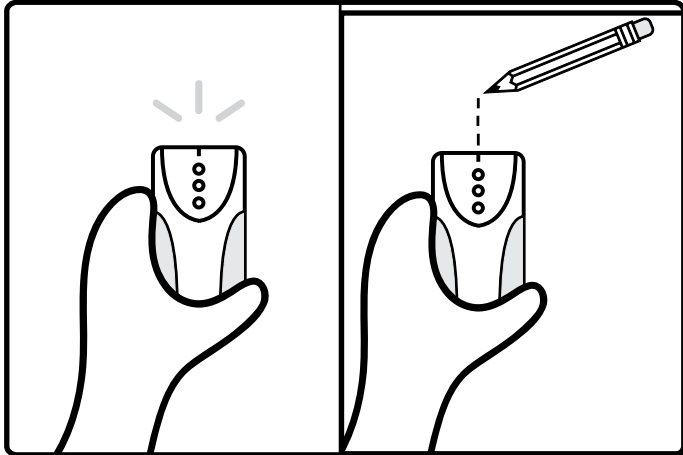
3 Aligner le boulon sur les fentes à l'arrière de l'armoire et suspendre l'armoire.



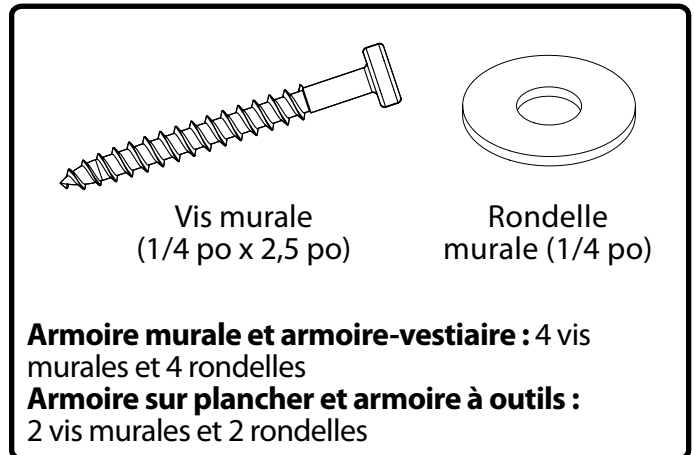
Remarque : Pour l'armoire-vestiaire, fixer le deuxième support à 66 po au-dessous du premier support. Pour l'armoire sur plancher, fixer le deuxième support à 18 po au-dessous du premier support.

Assemblage des armoires (cloison sèche et cloison creuse à colombage)

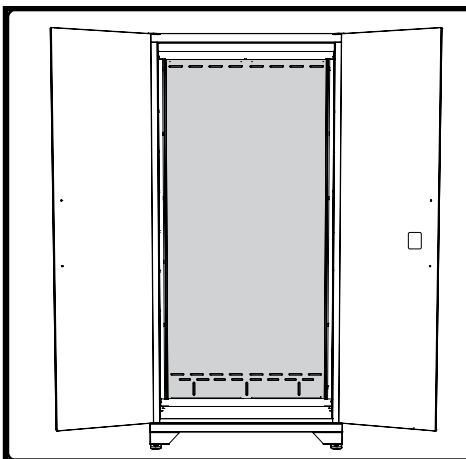
- 1** Utiliser le localisateur de montants pour repérer les montants et tracer une ligne sur la cloison avec un crayon.



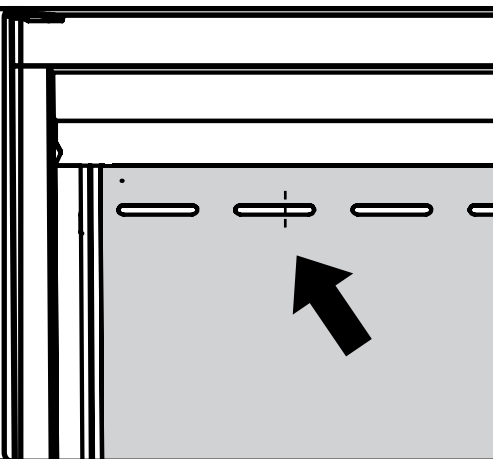
- 2** Rassembler les pièces.



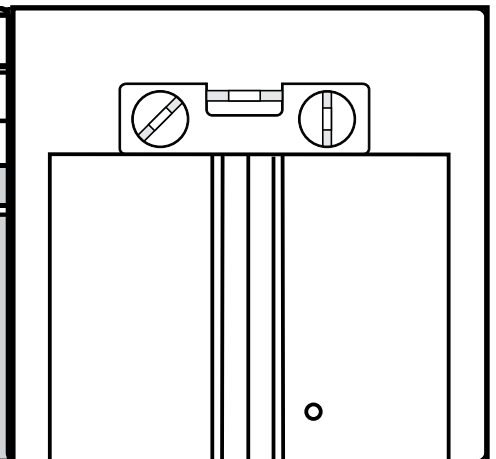
- 3** Bien appuyer l'armoire contre le mur.



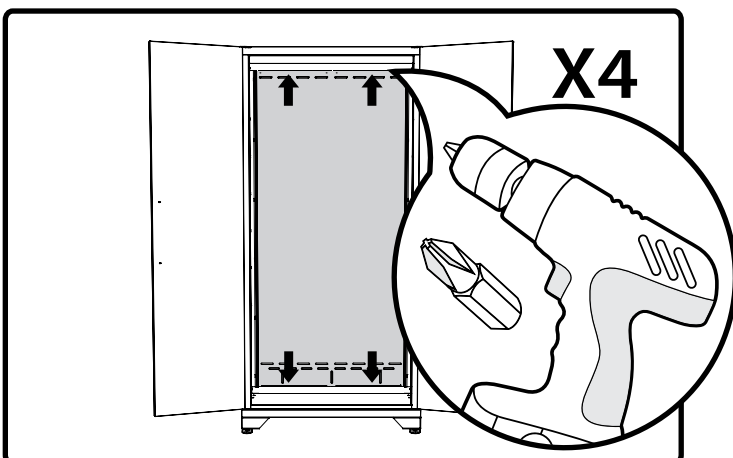
- 4** Aligner l'armoire sur les marques des montants.



- 5** Mettre l'armoire à niveau.



- 6** Percer 4 vis murales et rondelles dans les trous perforés des montants.

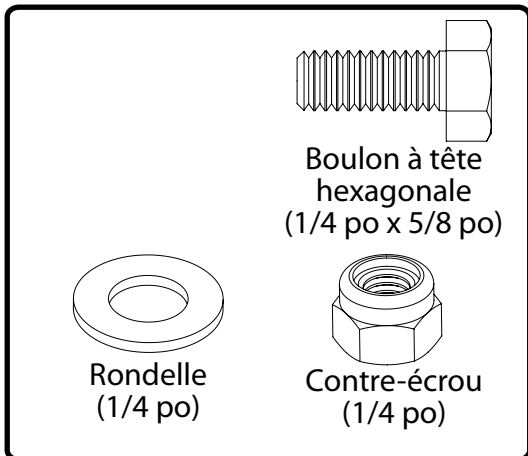


i Maçonnerie.

- Suivre les étapes 1 à 5.
- Percer 4 avant-trous dans la bande perforée avec le marteau perforateur et la mèche à maçonnerie.
- Fixer 4 x (2 1/4 po x 1/4 po) ancrages pour béton Tapcon (2 1/4 po x 1/4 po) dans le mur. (Non inclus)
- OU 4 x (#10 x 2 po) vis n° 10 x 2 po avec cheville de maçonnerie de 3/16 po. (Non inclus)
- Suivre l'étape 6.

Fixation Des Armoires

i Pièces nécessaires.

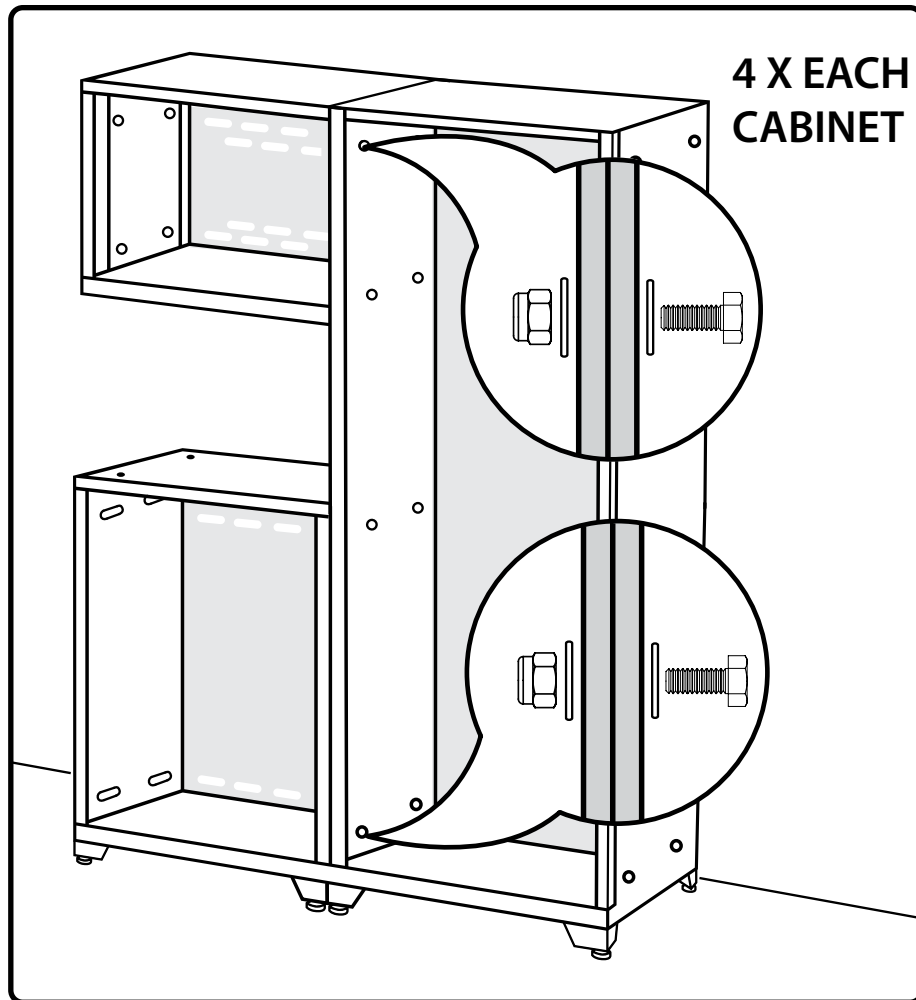


Note:

Remove all drawers before fastening cabinets.

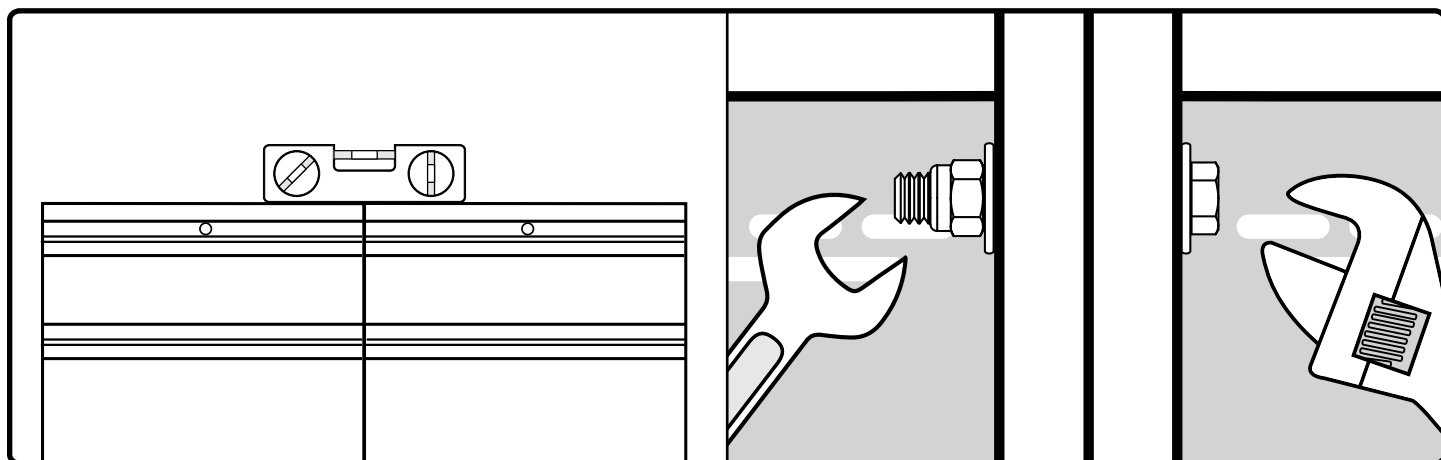
Boulonnez chaque armoire suivante à la précédente à l'aide des boulons hexagonaux et des écrous de blocage 1/4" x 5/8" fournis pour chaque armoire de plancher et murale.

1 Aligner les boulons, serrer légèrement.



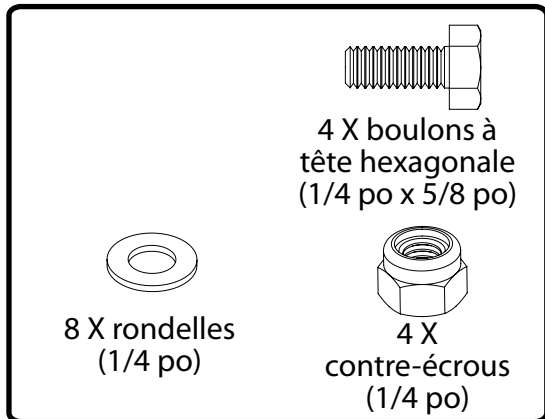
Remarque : Les supports ne sont pas conçus pour supporter le poids d'une armoire remplie. Les armoires doivent être fixées au mur à l'aide de tirefonds de 1/4 po x 2,5 po.

2 Level cabinets and tighten all bolts.

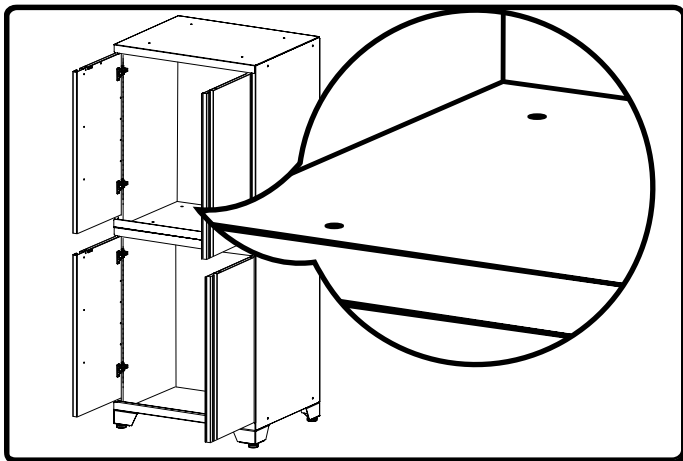


Emboîtement des armoires

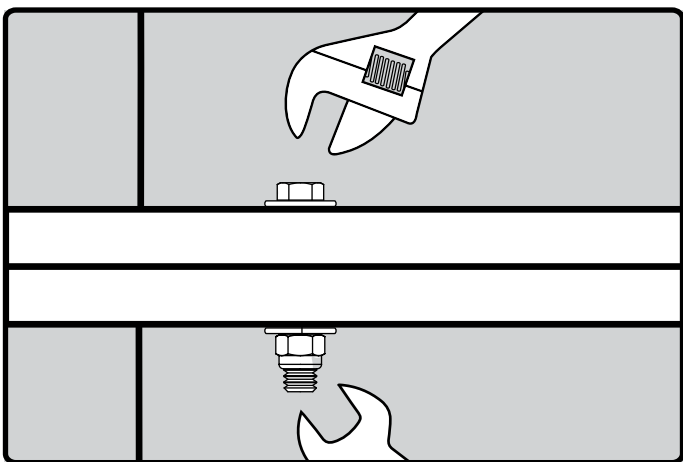
i Pièces nécessaires.



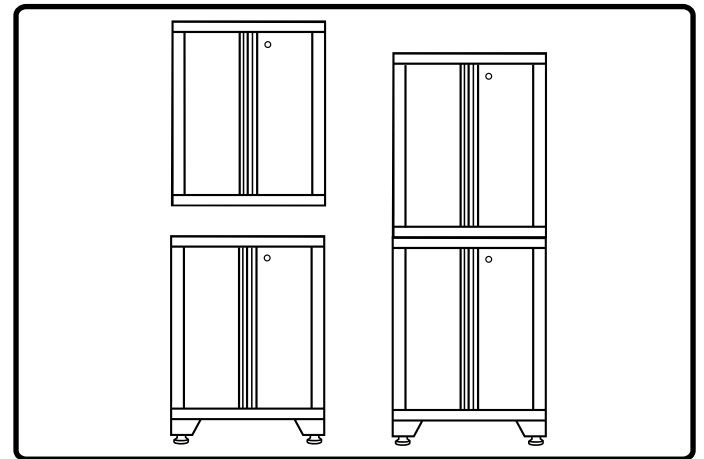
2 Repérer les trous prépercés sur la surface adjacente et insérer les boulons.



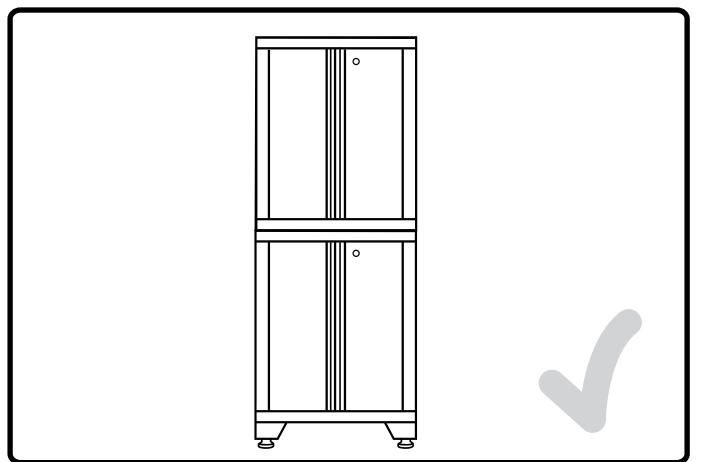
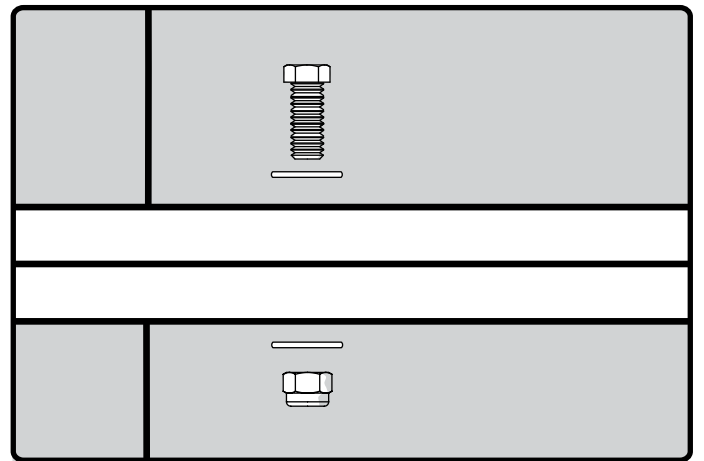
4 Serrer tous les boulons.



1 Positionner une deuxième armoire sur plancher sur le dessus de l'armoire sur plancher existante.

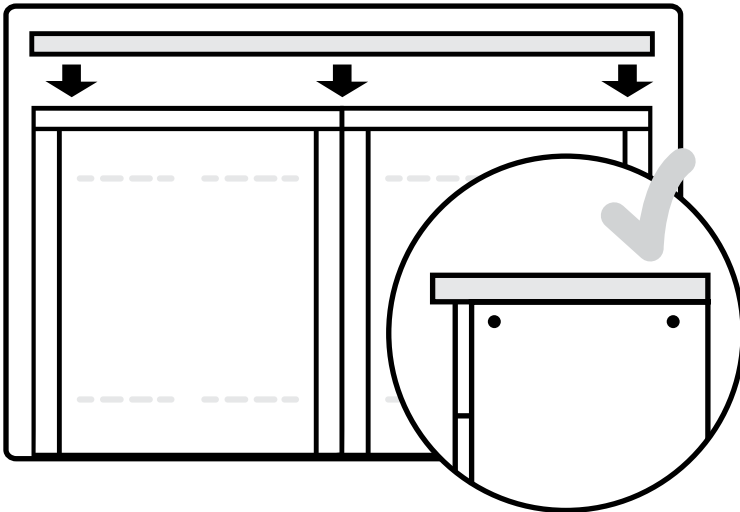


3 Fixer les armoires à l'aide des boulons à tête hexagonale de 1/4 po x 5/9 po, des rondelles et des écrous fournis.

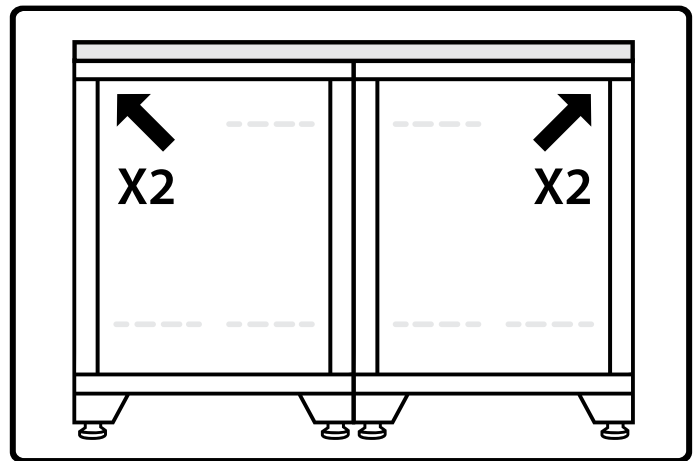


Montage du plan de travail (sur 2 armoires)

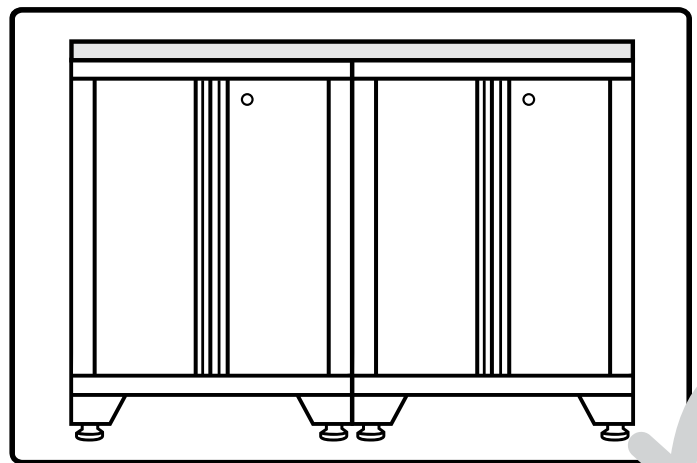
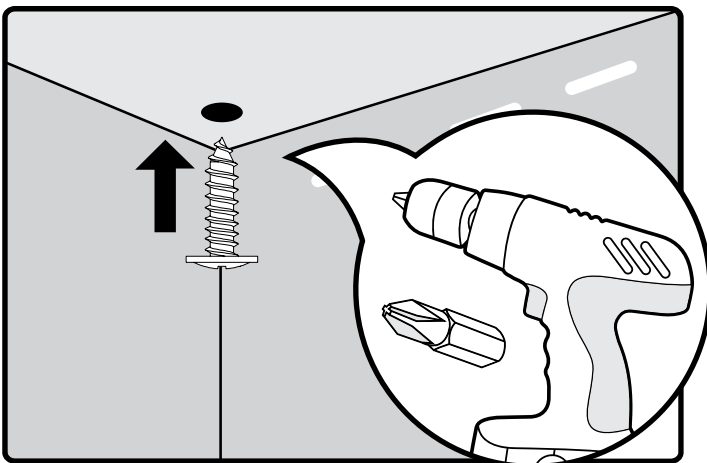
1 Placer le plan de travail sur les armoires.



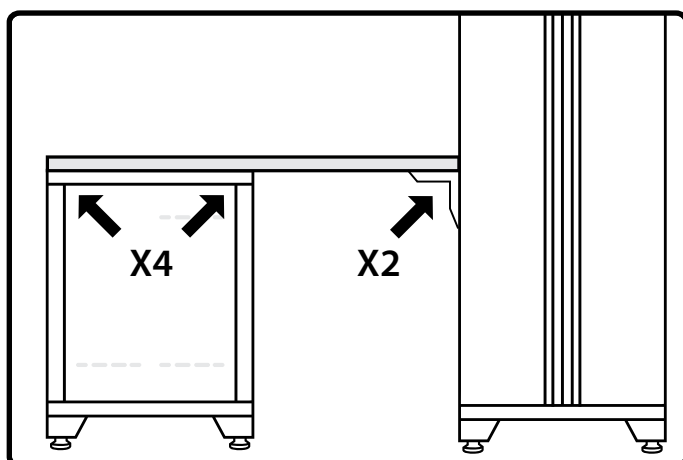
2 Repérer les 2 trous de fixation des deux côtés des armoires.



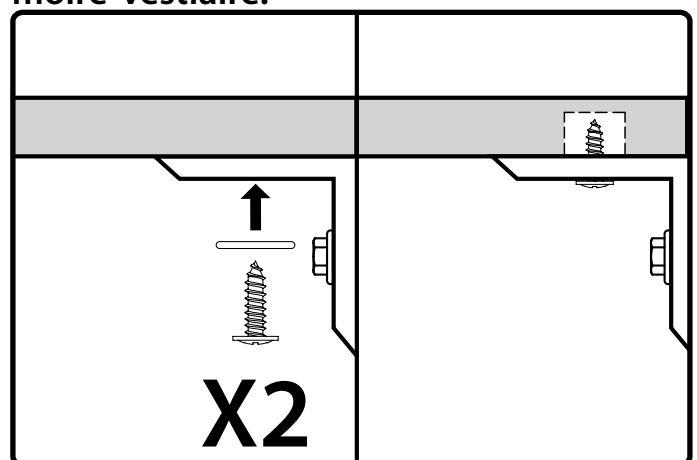
3 Percer le plan de travail à l'aide des vis à bois #8 x 5/8 po.



i Facultatif : Pour le palier de support de l'armoire-vestiaire.



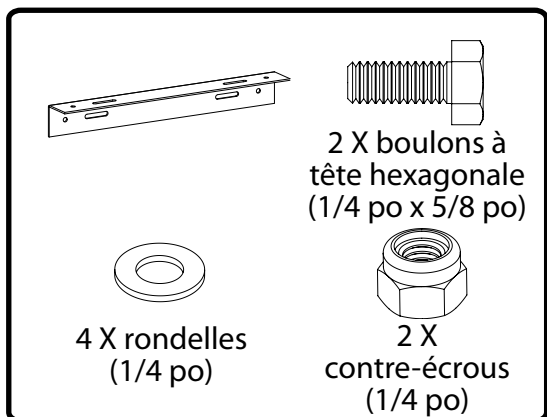
Utiliser 2 rondelles et vis à bois #8 de 5/8 po fournies dans l'emballage de l'armoire-vestiaire.



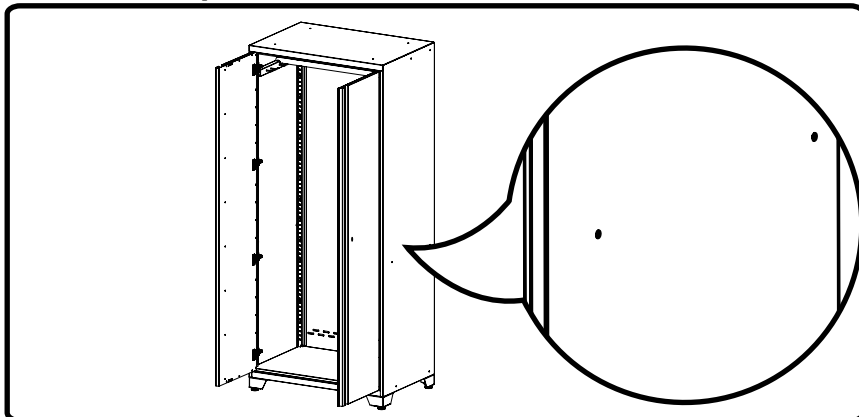
Installation du palier de support latéral du plan de travail

Remarque : Le palier de support est inclus avec l'armoire-vestiaire.

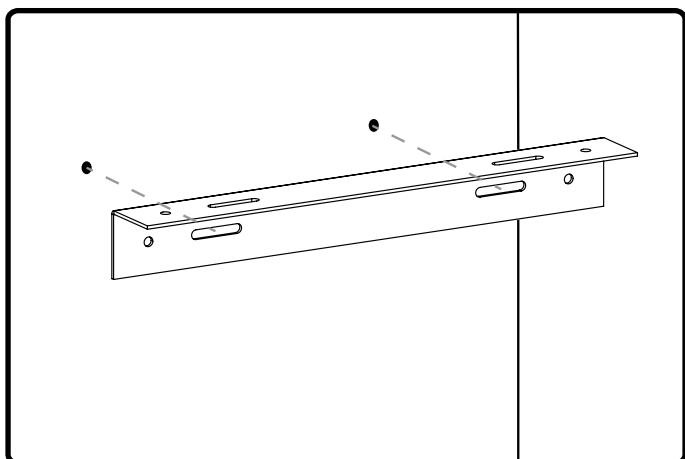
i Pièces nécessaires.



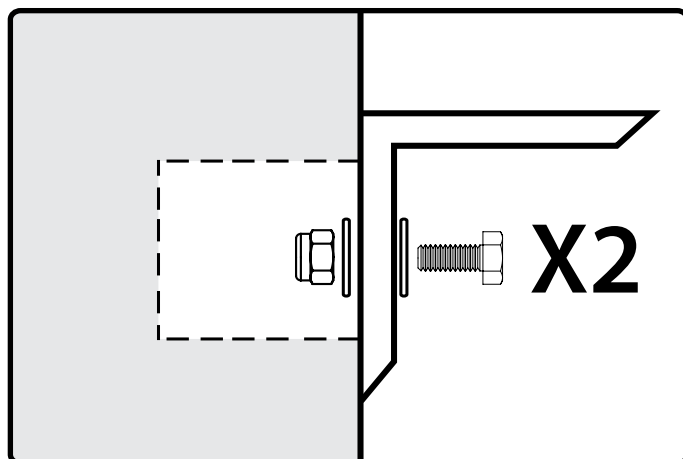
1 Ouvrir l'armoire-vestiaire et repérer les trous de chaque côté de l'armoire.



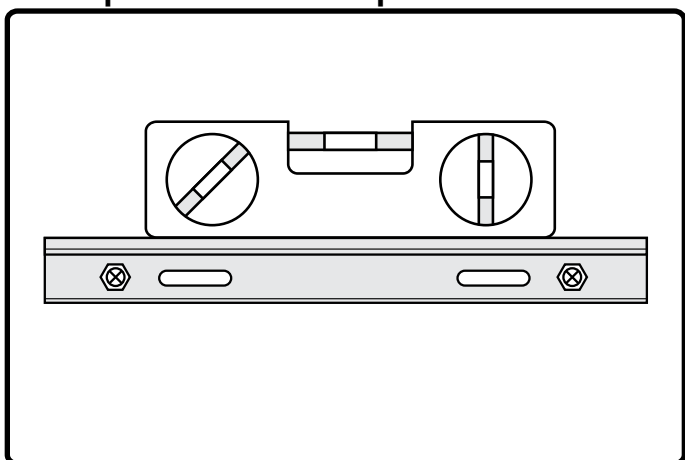
2 Aligner le support.



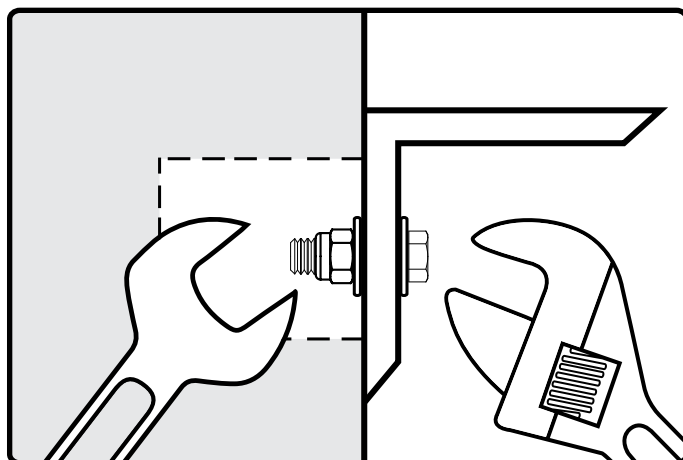
3 Serrer les écrous, boulons et rondelles de sécurité.



5 Mettre à niveau le support et s'assurer qu'il est à la même hauteur que l'armoire sur plancher.



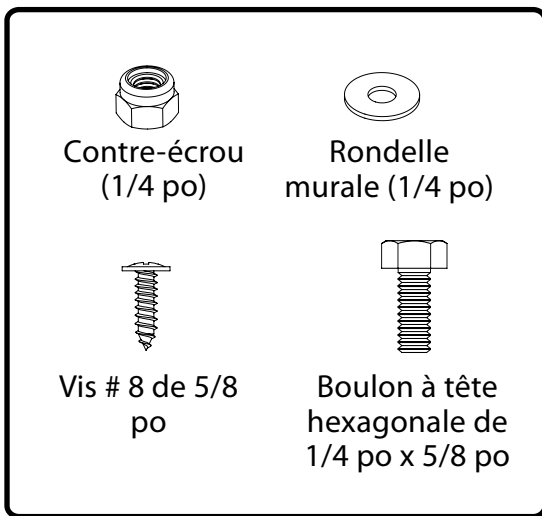
4 Serrer les écrous et boulons.



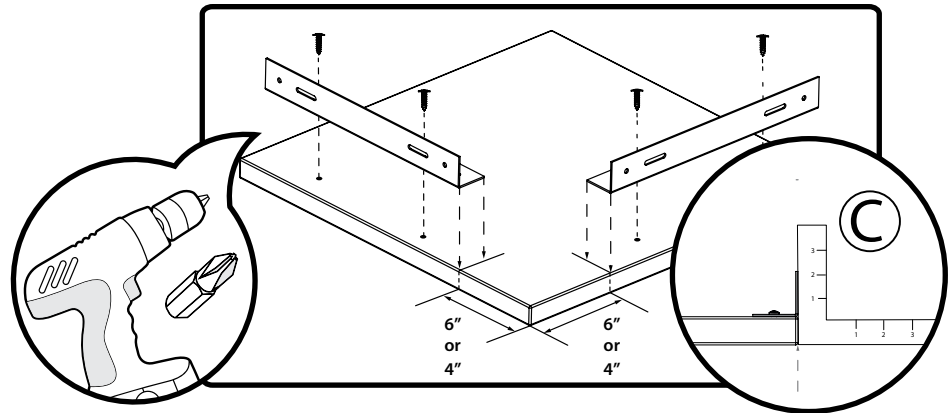
Installation des armoires de coin

Remarque : S'assurer d'avoir suffisamment de place pour l'assemblage. Les armoires ne doivent pas être assemblées près des coins d'armoire pour avoir accès à l'arrière des armoires.

i Pièces nécessaires.

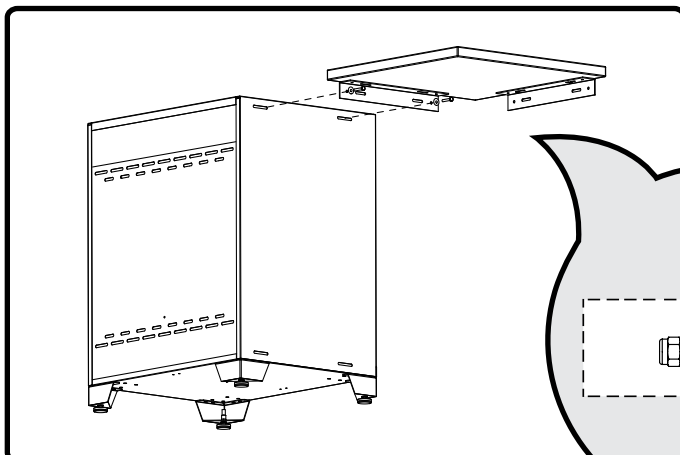


1 Sur les bords adjacents, fixer 2 supports à la face intérieure du dessus des coins d'armoire en utilisant les 4 vis #8 de 5/8 po fournies.

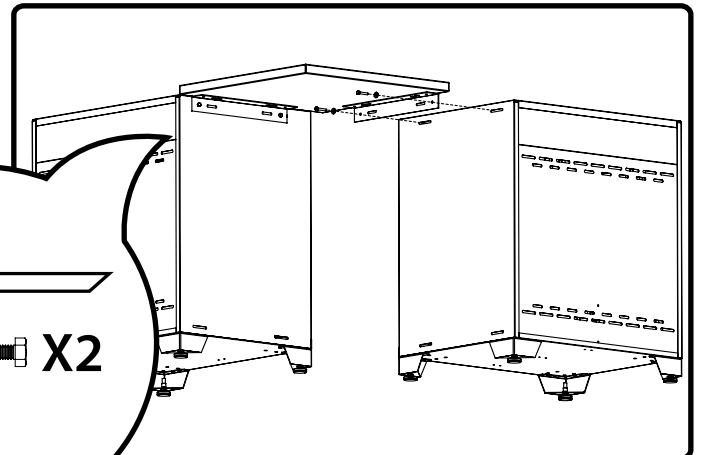


Important : Pour installer le dessus à niveau avec l'arrière de l'armoire, suivre l'étape A; pour l'installer à niveau avec l'avant de l'armoire, suivre l'étape B; et pour l'installer à niveau avec le bord, suivre l'étape C.

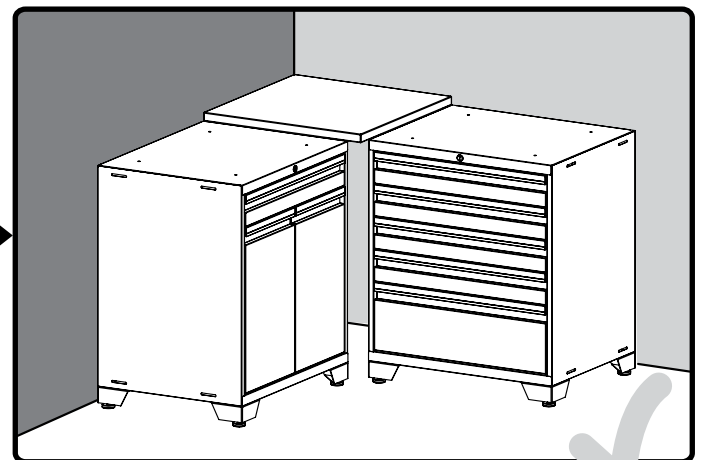
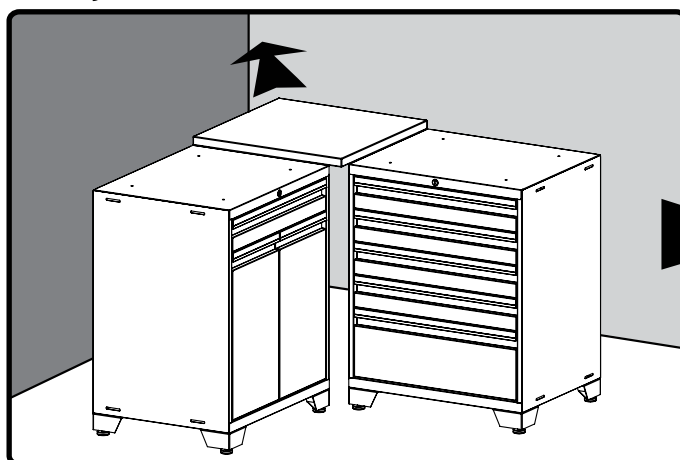
2 Fixer le dessus à une armoire en utilisant les boulons à tête hexagonale de 1/4 po x 5/8 po, les écrous et les rondelles.



3 Fixer la deuxième armoire à ce dessus.



4 Faire glisser vers le coin et joindre le reste des armoires.

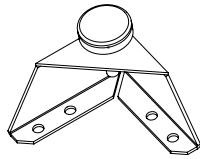


Installation des pieds

i Pièces nécessaires.

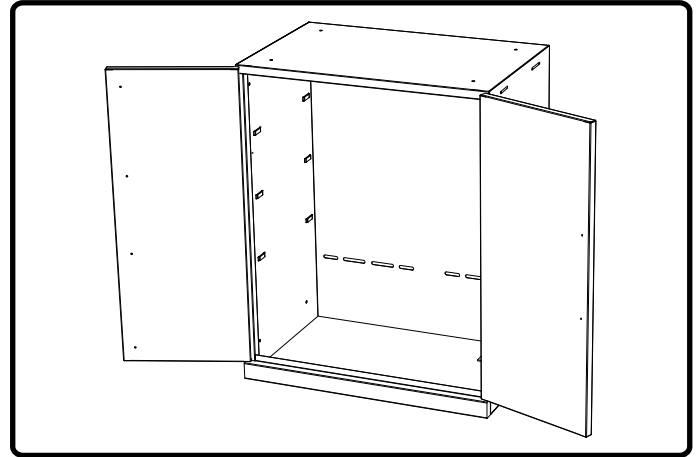


16 X Vis à sécurités

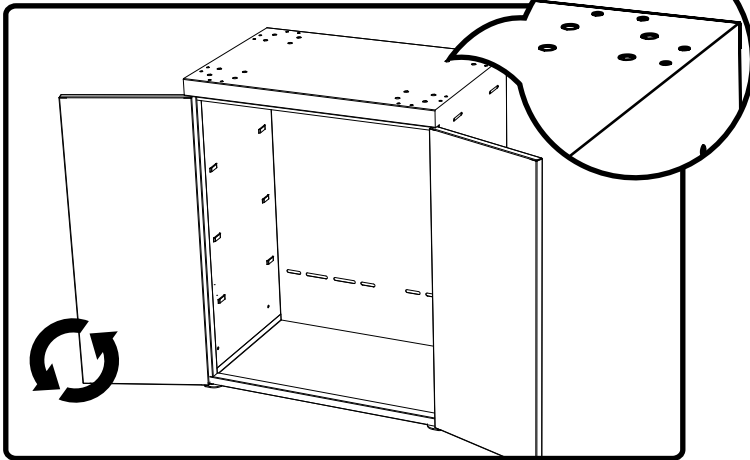


Pattes de mise à niveau
en acier ajustables
en hauteur

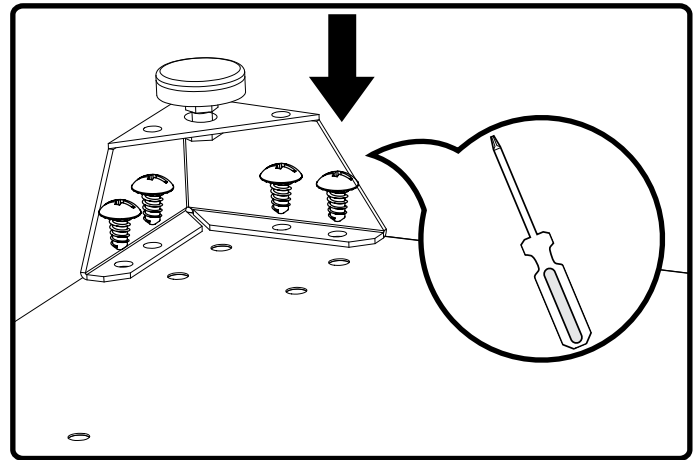
1 Ouvrir l'armoire et retirer les étagères ou les objets épars.



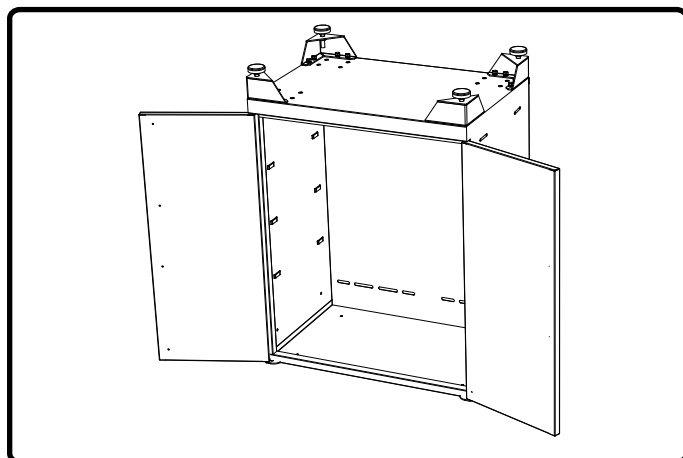
2 Retourner l'armoire et repérer les trous dans les coins.



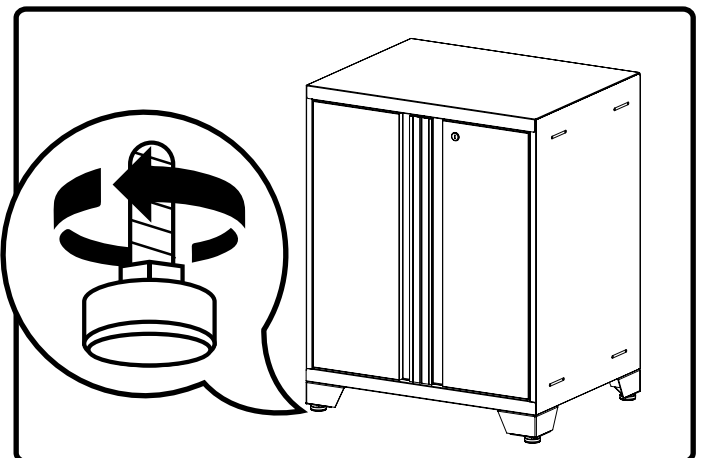
3 Aligner le pied sur le bord de l'armoire. Visser 4 vis à sécurités dans les trous.



4 Répéter l'étape 3 pour chaque coin.



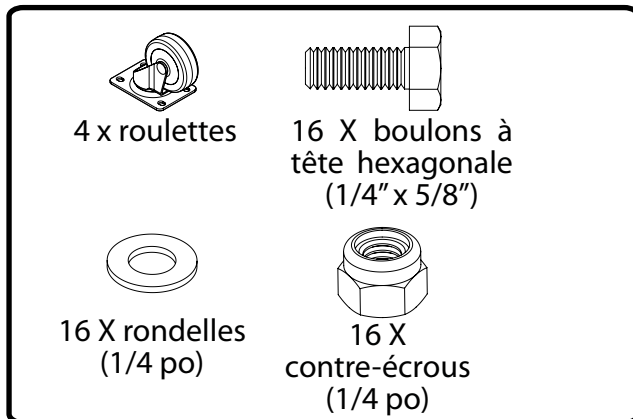
5 Remettre à l'endroit et niveler.



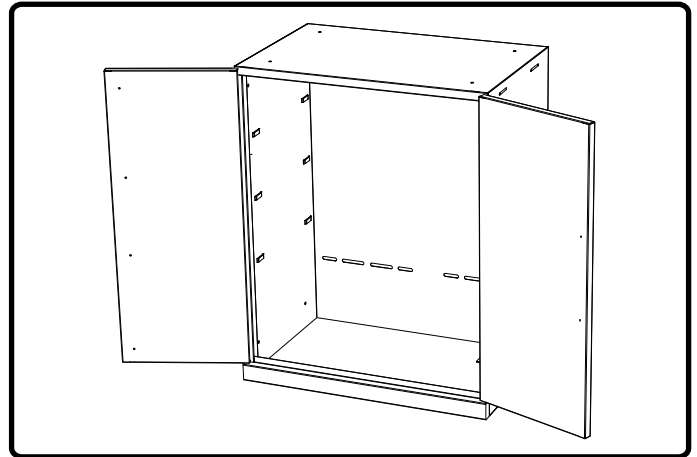
Installation des roulettes

Remarque : Les roulettes sont vendues séparément.
shopnewage.com

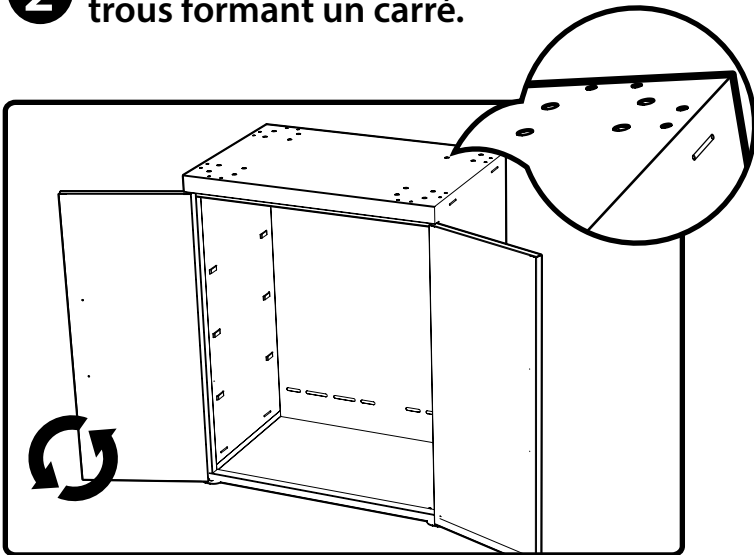
i Pièces nécessaires.



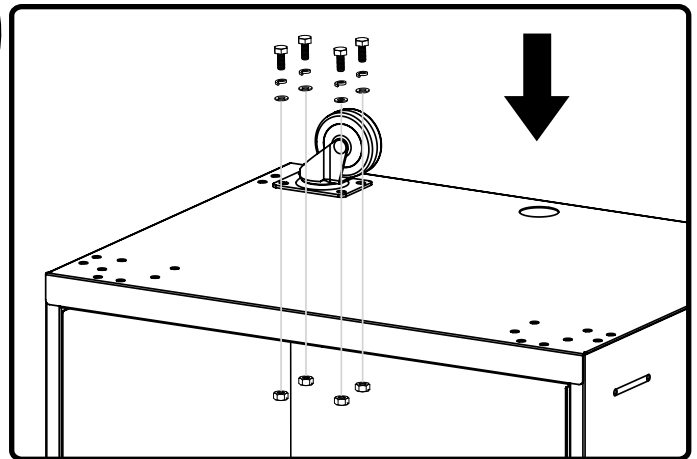
1 Ouvrir l'armoire et retirer les étagères ou les objets épars.



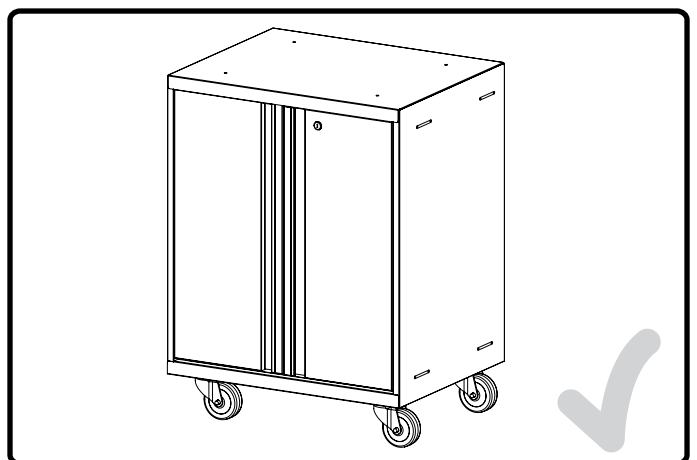
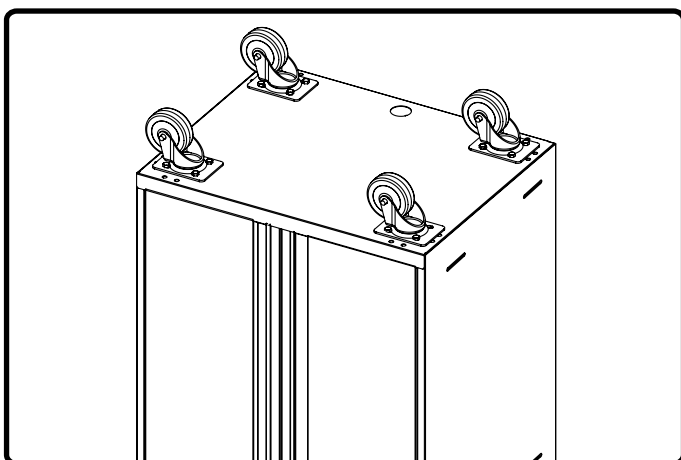
2 Retourner l'armoire et repérer les trous formant un carré.



3 Aligner le pied sur les trous. Fixer avec les 4 boulons à tête hexagonale, rondelles, rondelles de sécurité et écrous.

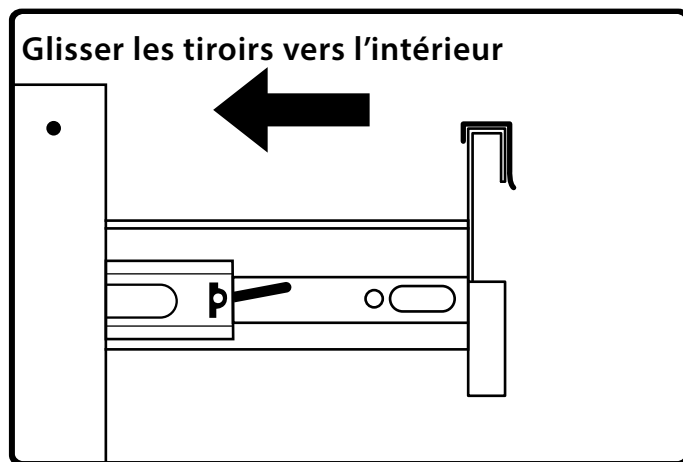
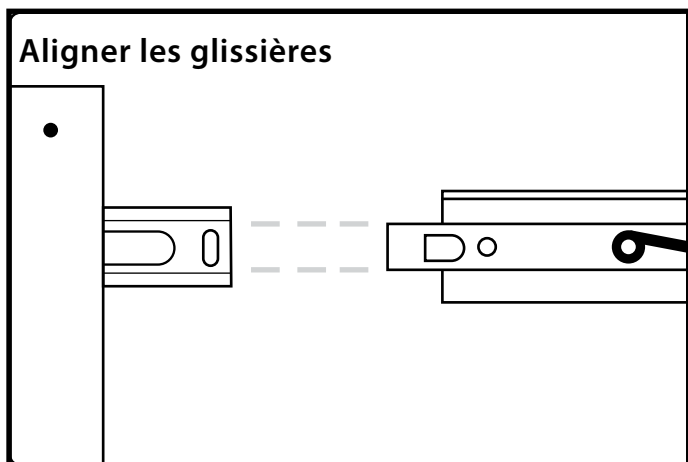


4 Répéter l'étape 3 pour chaque coin.

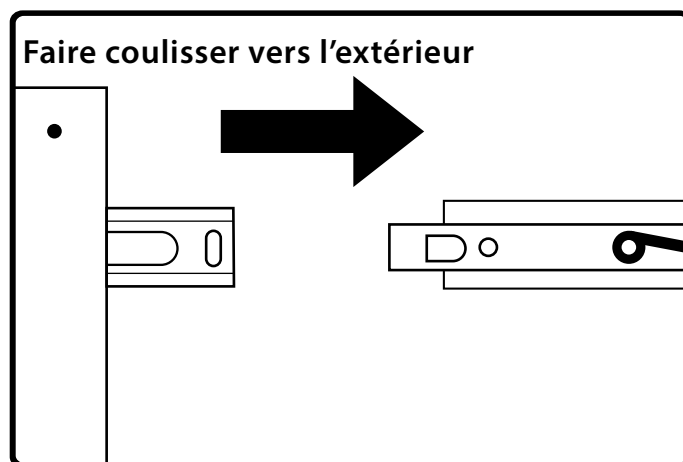
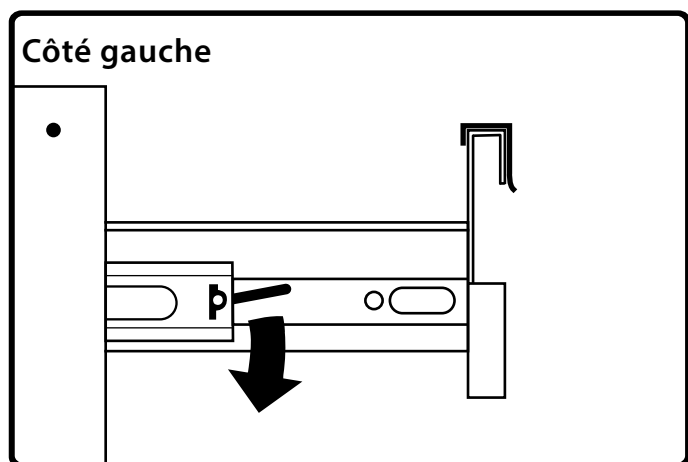
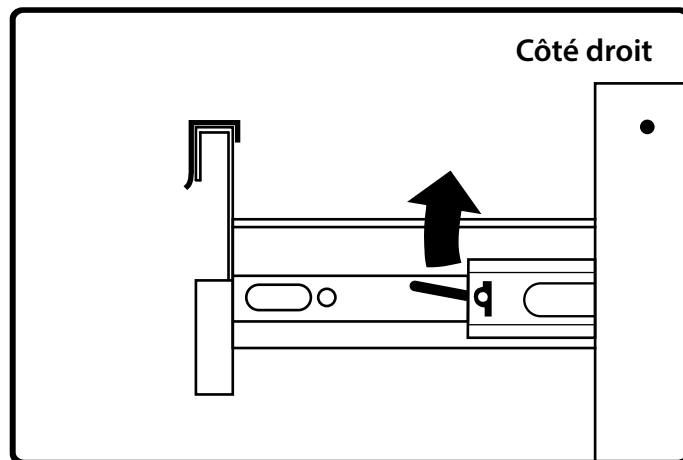
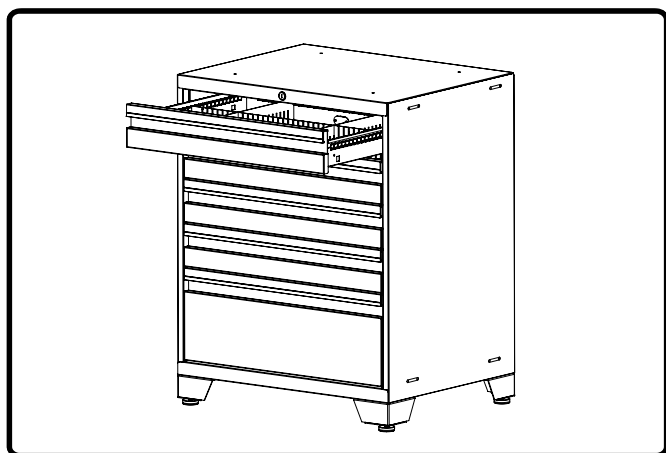


Installation des tiroirs

Insertion des tiroirs.

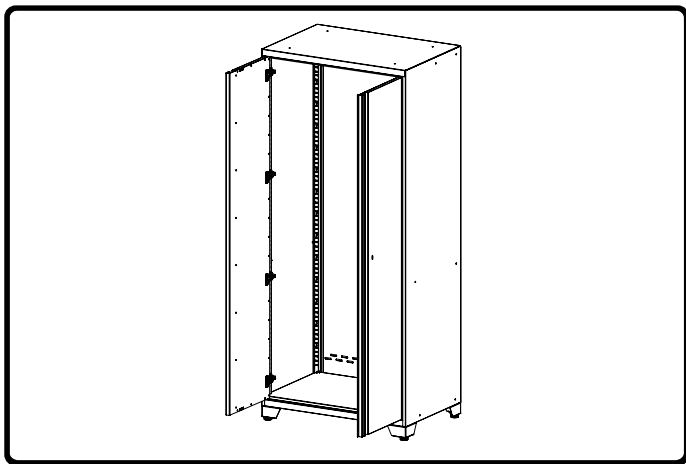


Enlèvement des tiroirs.

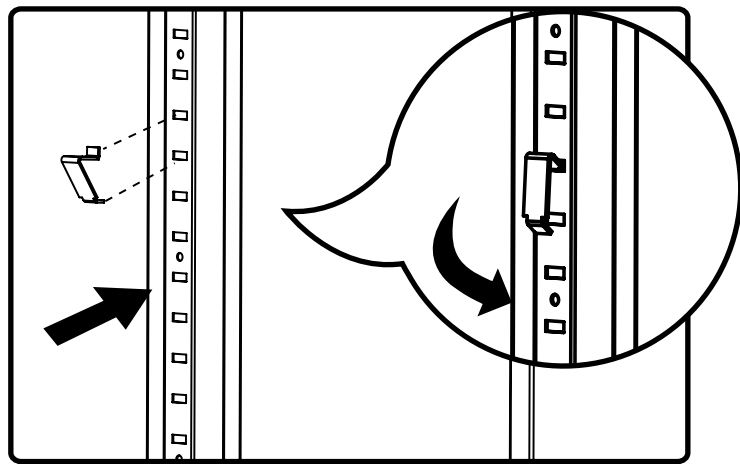


Insertion de la tige utilitaire du casier et des cintres

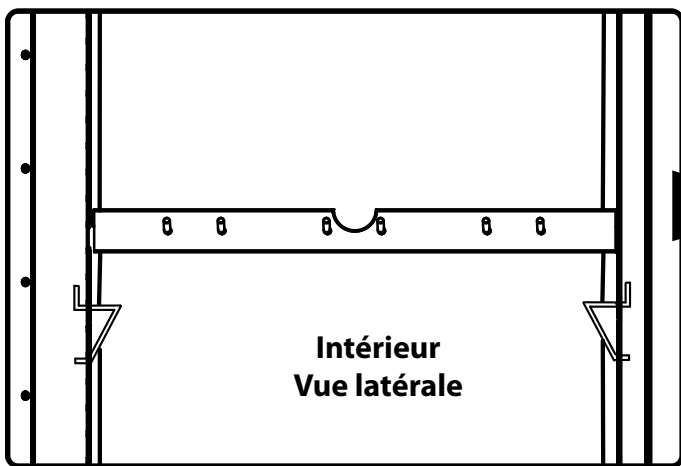
1 Ouvrir les portes de l'armoire.



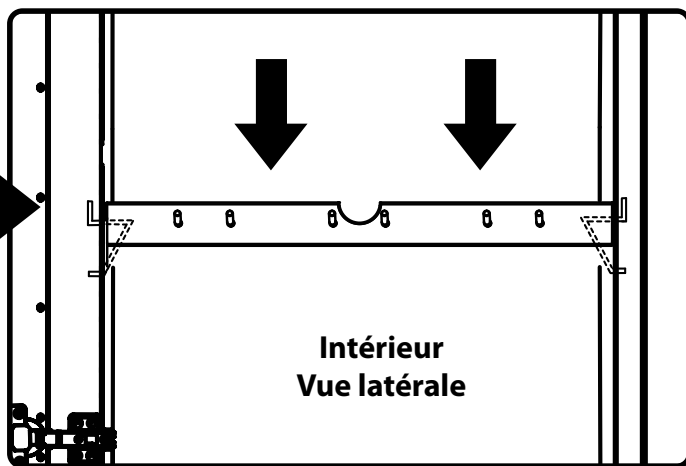
2 Insérer les agrafes dans les fentes situées dans les coins. Faire tourner pour enclencher.



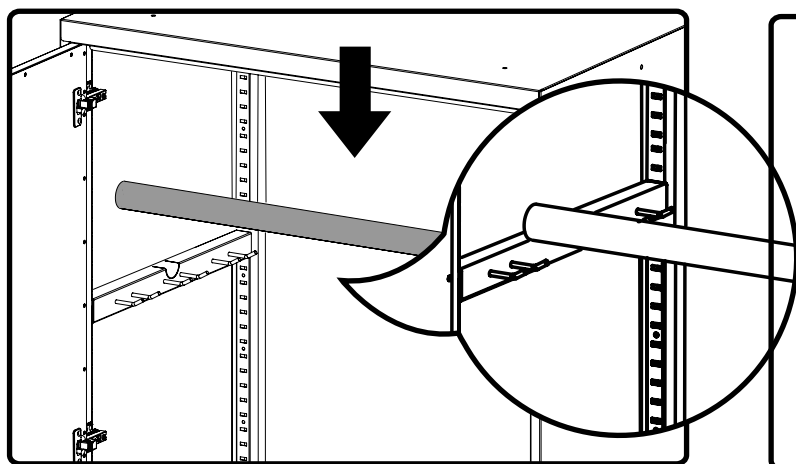
3 Placer le portemanteau contre le mur au-dessus des supports.



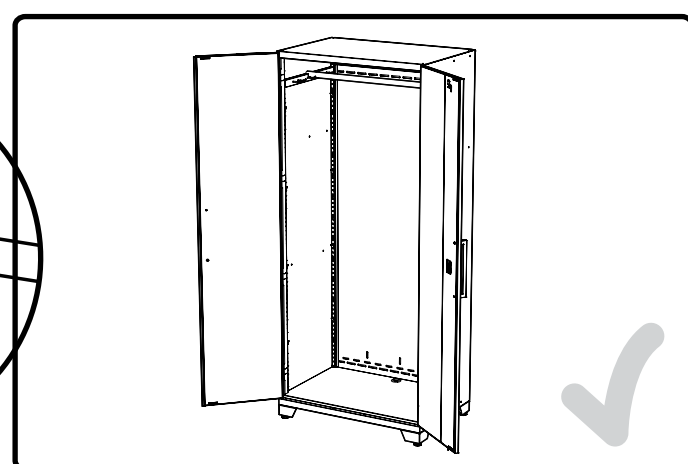
4 S'assurer que le rebord arrière glisse derrière les agrafes et que le support est bien fixé.



5 Abaisser la tringle et la mettre dans l'étrier.



6



Montage du ventilateur sur les casiers (facultatif)

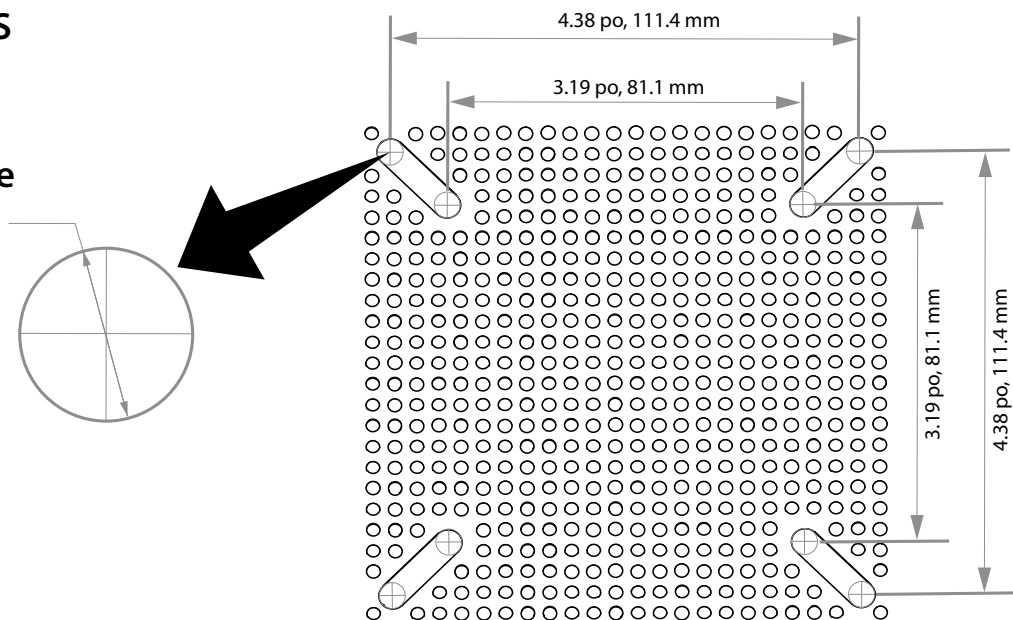
Avertissement

L'installation du ventilateur est facultative et tous les composants du ventilateur ne sont pas inclus dans le paquet. Ce ventilateur ne peut être installé que sur les casiers étendus Pro 42 po et Pro 48 po.

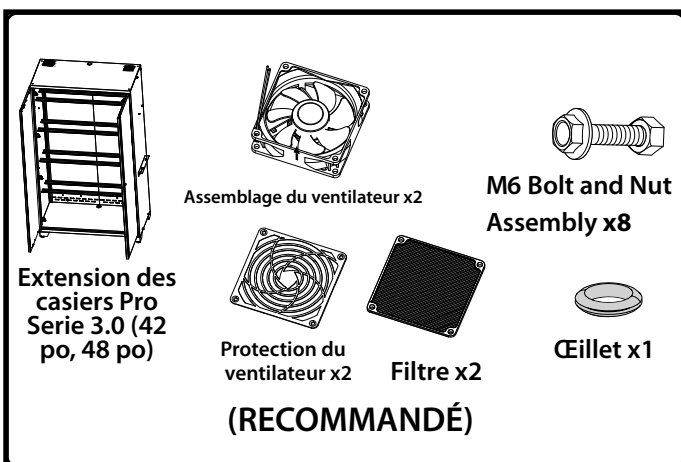
- NE PASS se tenir à l'intérieur du casier pendant l'installation du ventilateur.
- Il est de la responsabilité du client que l'installation du ventilateur soit conforme au Code national de l'électricité.
- Le client doit acheter un ventilateur de rechange. Les tailles de ventilateur recommandées sont de 90 mm à 120 mm de largeur (3,5 à 4,72 pouces). Veuillez vous référer à la taille (L X H) minimale et maximale des trous du ventilateur pour vous assurer que les ventilateurs sont compatibles.
- Veuillez vous référer au diamètre des trous de montage ci-dessous. Le diamètre extérieur des boulons doit être de 0,2 pouce/5,08 mm ou inférieur.

VUE DU DESSUS

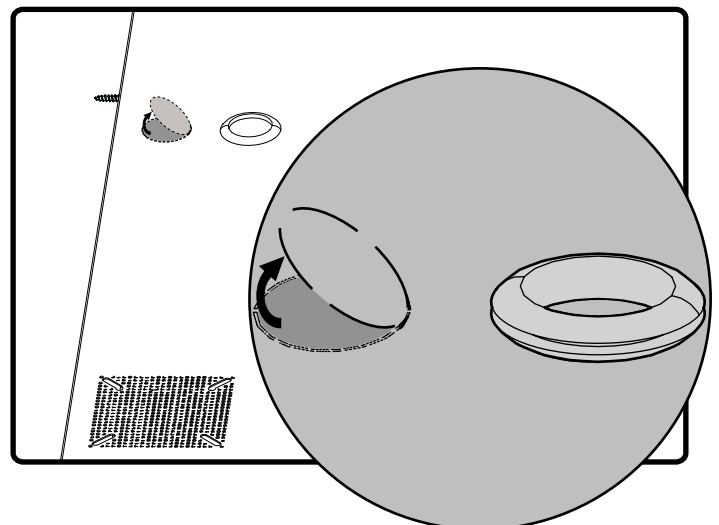
Diamètre du trou de montage
0.2 po, 5.08 mm



Pièces nécessaires.

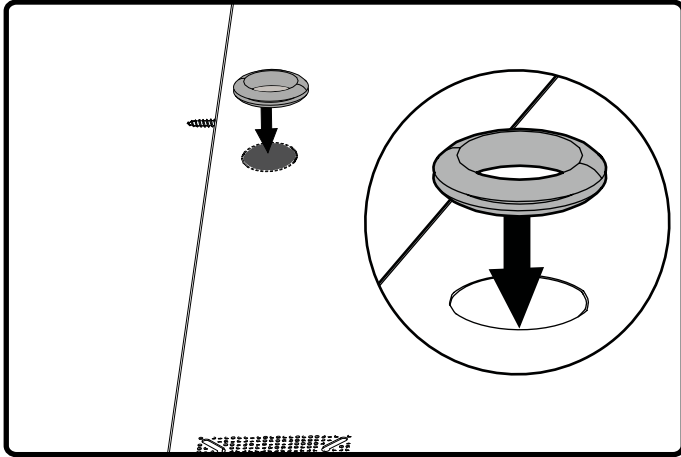


1 En utilisant l'emplacement prédéfini du trou sur le casier, créez une ouverture pour faire passer les fils qui sont fournis avec le ventilateur.

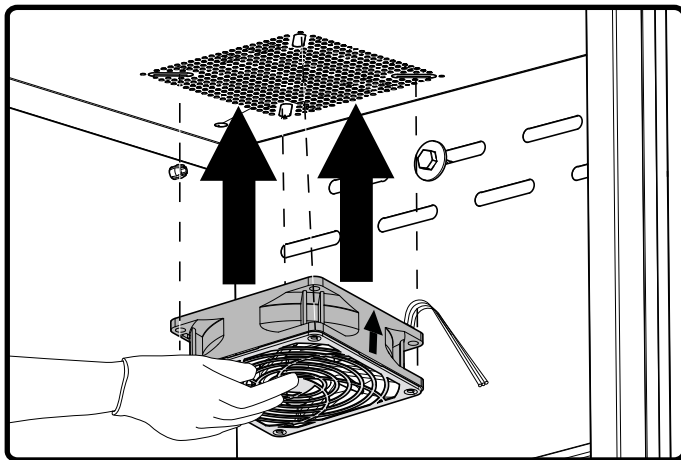


Montage du ventilateur sur les casiers (facultatif)

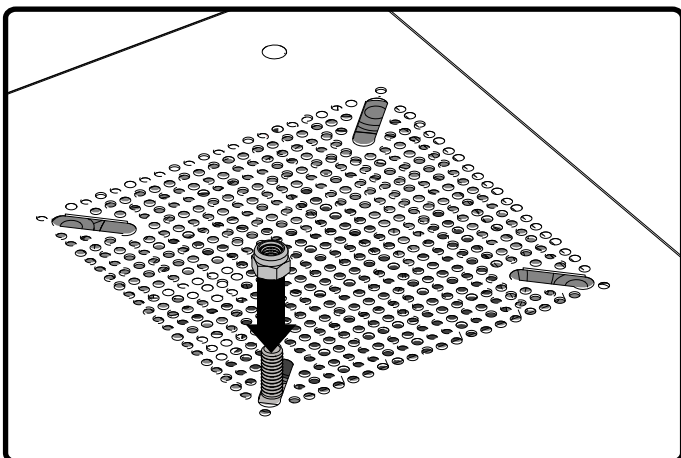
- 2** Autour de l'ouverture, ajouter un œillet en caoutchouc fourni dans la boîte de matériel.



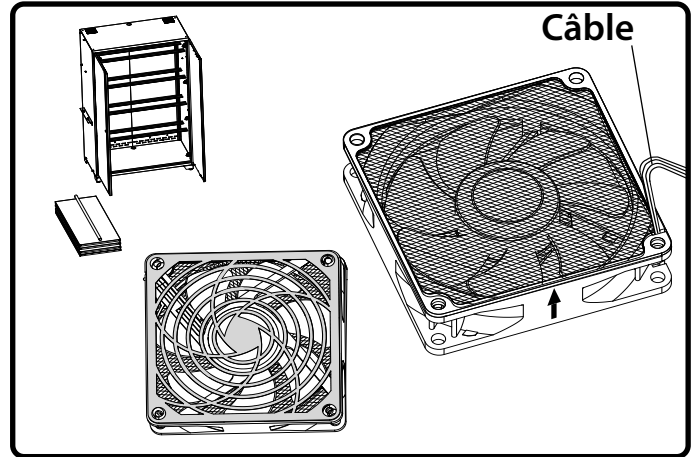
- 4** Placez l'ensemble du ventilateur sous le casier et tenez-le comme indiqué.



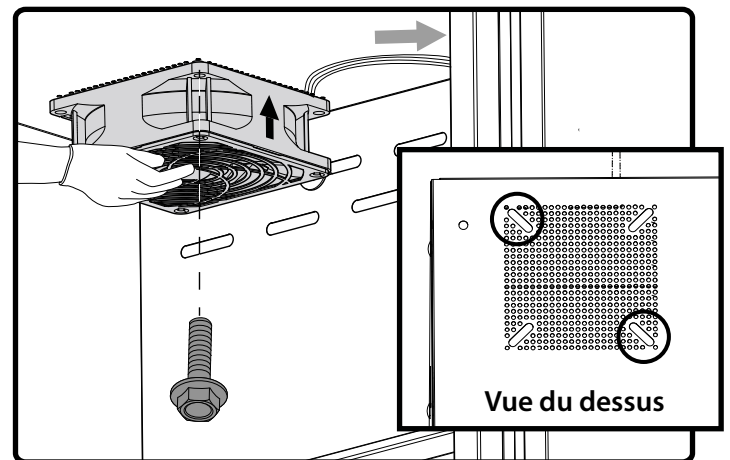
- 6** Serrez les écrous sur les vis depuis l'extérieur du casier. Répétez les étapes 5 et 6 pour les boulons restants.



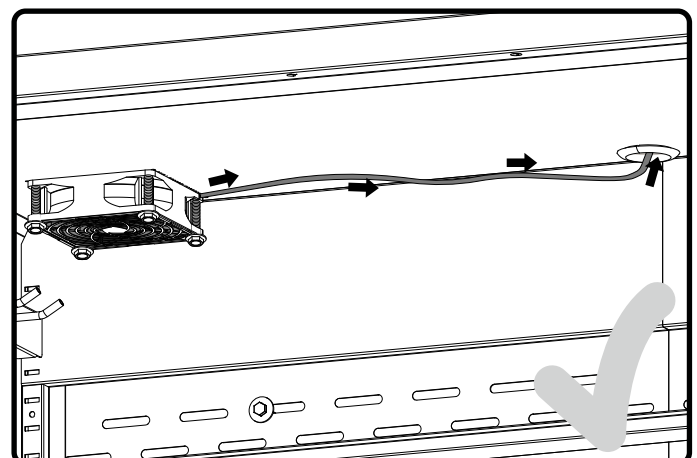
- 3** Fixez le filtre et la protection du ventilateur sur l'ensemble du ventilateur selon les instructions du fournisseur. Retirez les étagères du casier.



- 5** Insérez le boulon dans les trous de montage diagonaux du ventilateur par le dessous.

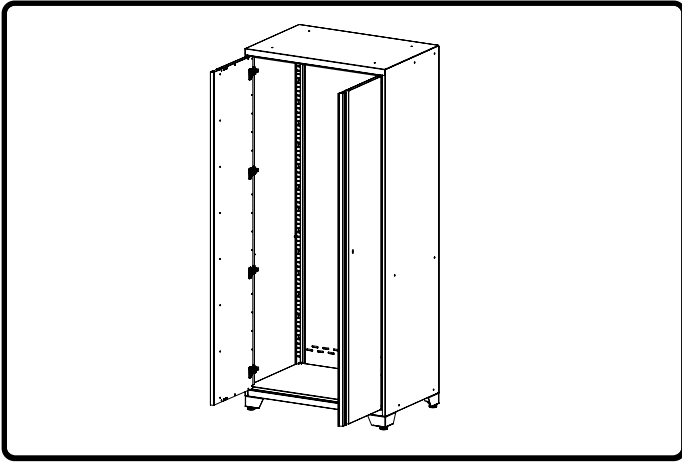


- 7** Acheminez le fil jusqu'à la source d'alimentation à travers un œillet. Suivez les mêmes étapes et installez le second ventilateur.

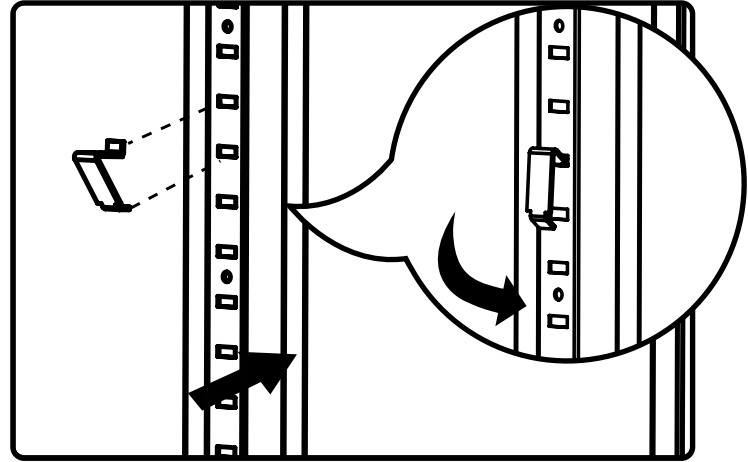


Insertion des étagères d'armoire

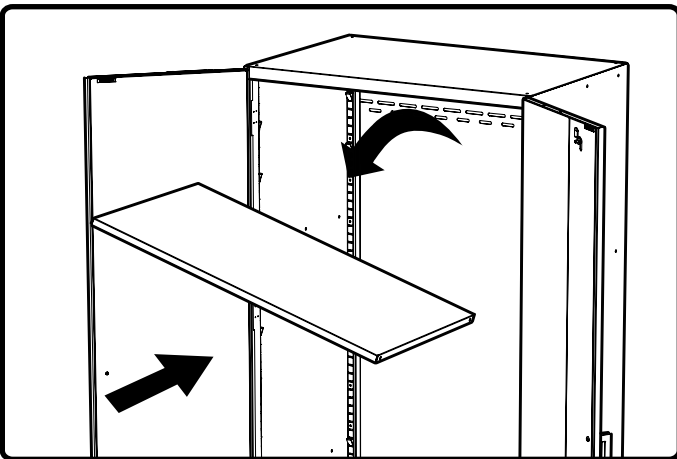
1 Relever l'armoire.



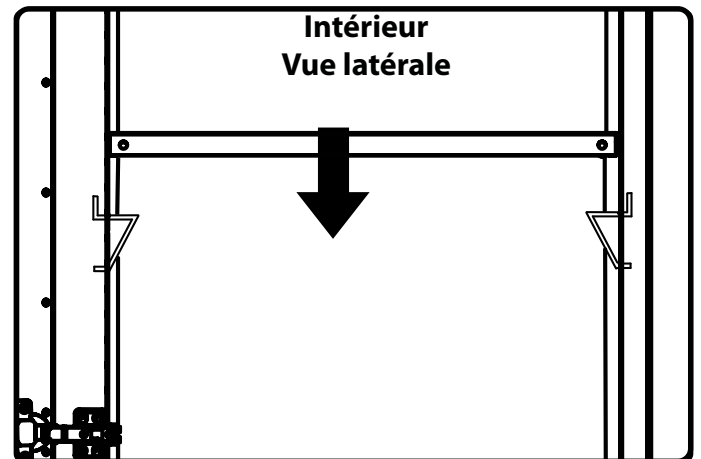
2 Insérer l'agrafe de l'étagère légèrement en biais et faire pivoter jusqu'à ce qu'elle soit à niveau.



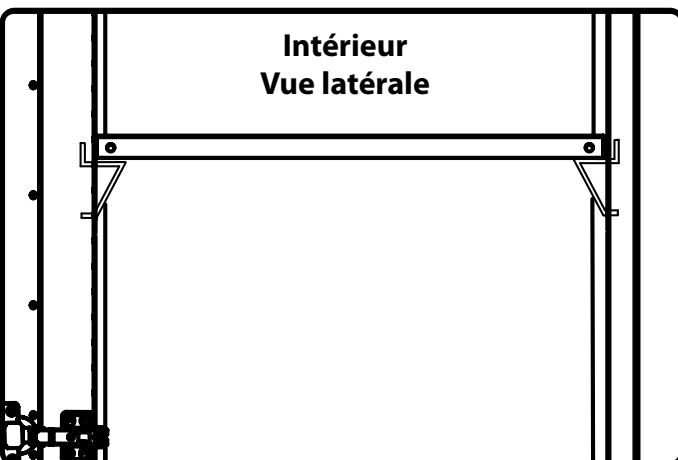
3 Insérer l'étagère en biais et faire pivoter jusqu'à ce qu'elle soit à niveau.



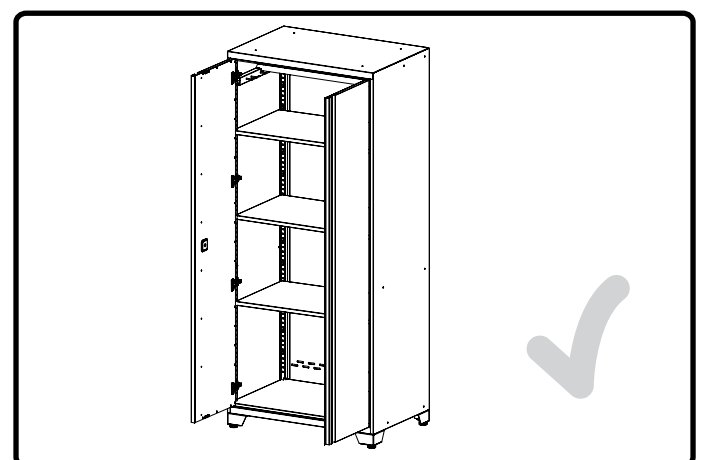
4 Abaisser l'étagère sur des supports.



5 Appuyer l'étagère sur des supports.

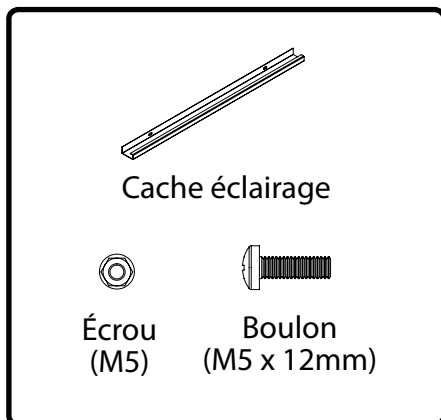


6 Insérer le reste des étagères.

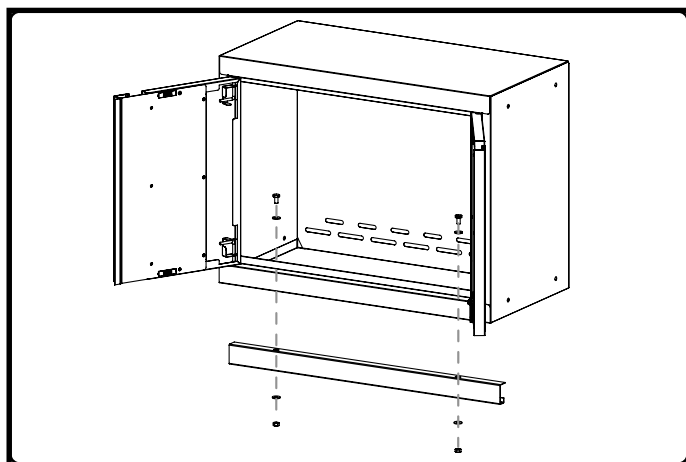


Fixer le cache-neon a l'armoire murale

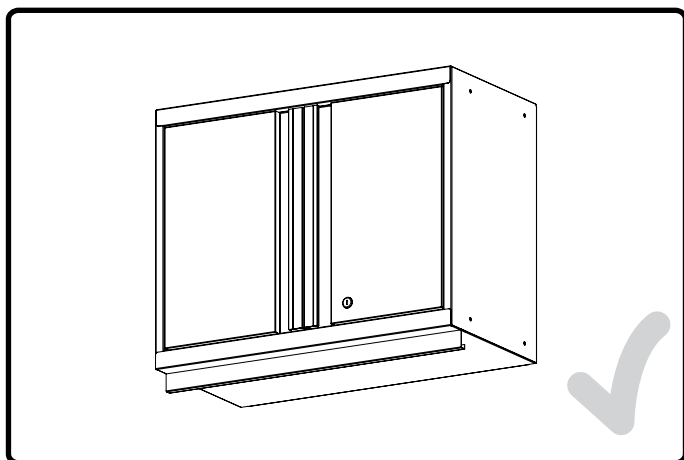
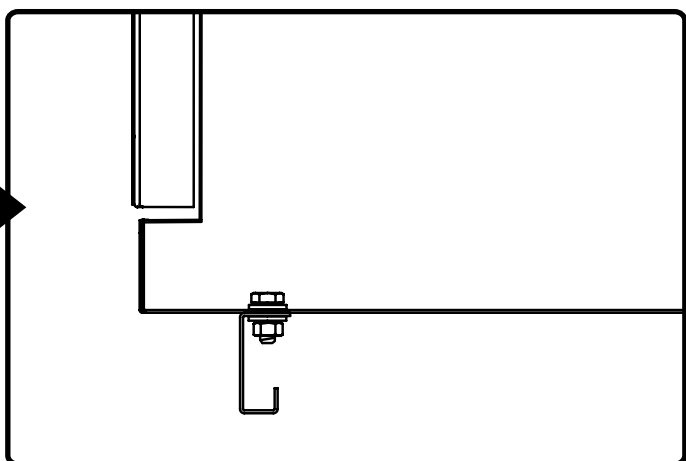
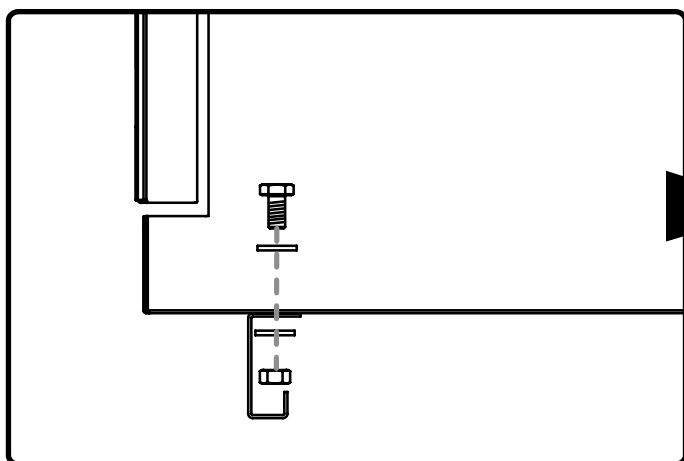
1 Pièces requises.



2 Insérer et serrer les boulons et écrous.

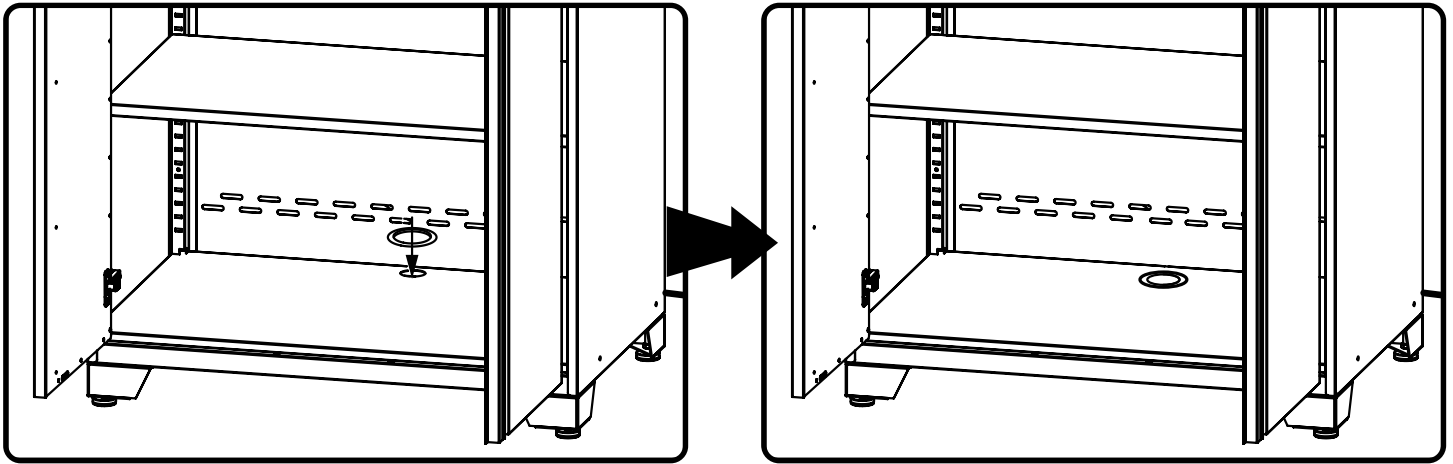


3 Vue transversale.

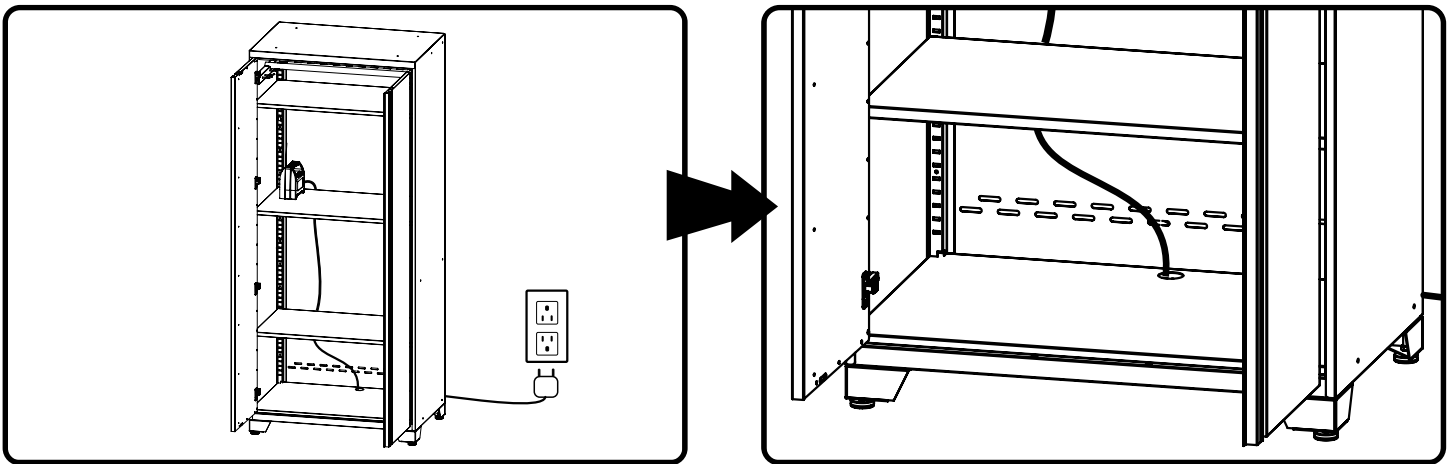


Trous d'accès

- 1** Insérer le passe câble caoutchouc dans le trou d'accès.



- 2** Le trou d'accès permet un branchement facile à la prise de courant.



Merci d'avoir acheté un produit NewAge!

Si vous avez des questions, veuillez nous appeler ou visiter notre site Web.

Appeler au 1.877.306.8930; envoyer un courriel à info@newageproducts.com.