

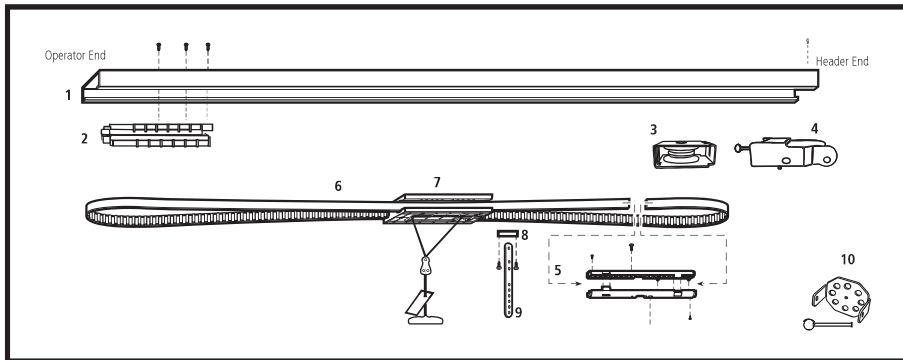
HEAVY DUTY (1.2mm - 18 gauge) STANDARD BELT RAIL

M13-1207B

Part #104462

M13-1208B

Part #104463



| Item | Part# | Description | Price |
|------|---------|--------------------------|-----------|
| 1. | — | Rail | |
| 2. | 88824 | Sprocket holder assembly | \$24.00 |
| 3. | 95358 | Roller holder assembly | \$6.50 |
| 4. | 91566 | Rail end assembly | \$4.00 |
| 5. | 8030196 | Belt connector kit | \$5.50 |
| 6. | — | Belt (7' Door) | See p. 19 |
| | — | Belt (8' Door) | See p. 19 |
| 7. | — | Trolley (7' Door) | See p. 19 |
| | — | Trolley (8' Door) | See p. 19 |
| 8. | 73636 | Pin | \$1.50 |
| 9. | 8030735 | Straight door arm | \$6.50 |
| 10. | 101018 | Header Bracket Kit | See p. 18 |