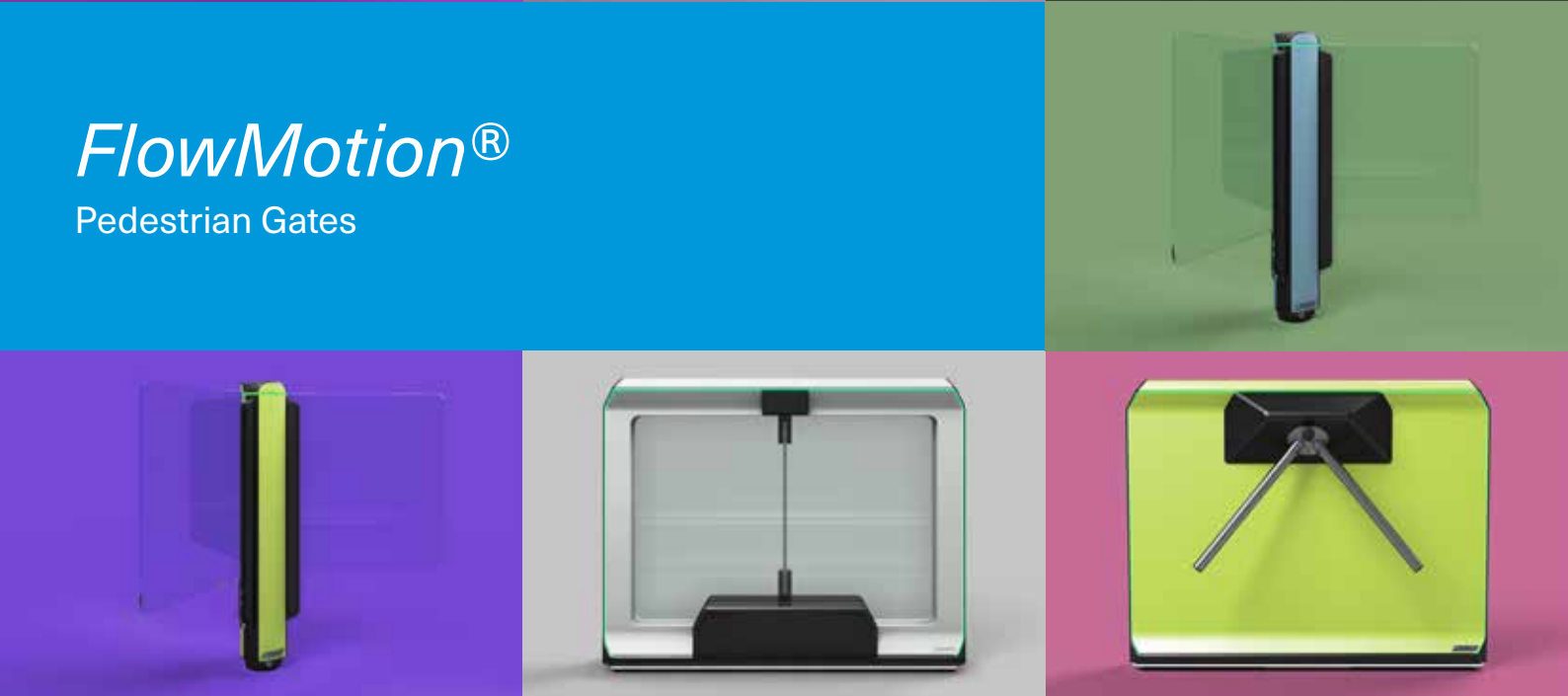


YOUR ACCESS TO REVOLUTION



FlowMotion®
Pedestrian Gates



*"If you are truly innovating,
you don't have a prototype you can refer to."*

Jonathan Ive



YOUR ACCESS TO REVOLUTION

Development of pedestrian gates has long been a matter of evolution. Reading devices have become wireless, biometric recognition methods have sprung up, and personal data on authorised users are now digitalised and centrally administrated. Nothing very much has changed regarding the pedestrian gates themselves: housings made of steel sheet still stand in the way of authorised users.

We here at Magnetic have now set a new course towards revolution and completely reinterpreted security in buildings – with the FlowMotion® product line of pedestrian gates. We no longer see access control systems as artificially superimposed security mechanisms, but as integral components of buildings. They are no longer external barriers, but paths within that welcome those entering the building and show them the way. We therefore not only increase user acceptance – we also make a major contribution towards greater security in buildings through the consistent and systematic assessment of all persons entering them.

In order to achieve this reinterpretation we have started again from scratch and fundamentally redeveloped our access systems from the bottom up. The result is a unique design whose flowing lines and wide range of colours permit seamless integration in the demanding architectures of companies, cultural institutions and public facilities. The prerequisite for the extraordinary design is a new material: mDure® is not only extremely tough and long-lived, but its warm and friendly feel also gives visitors a comfortable first contact. And because we see our access systems as the path into buildings we have equipped them with versatile illumination that shows visitors the way and intuitively guides them through the access process.

Even if revolutions radically challenge what is old, in one regard we have remained true to our former concept: as before, you can rely on our energy-efficient, reliable and extremely long-lived drive and control technology.

COME ON IN!

A large family

The FlowMotion® range of models



mWing

The elegant one: an open housing, short opening times and flowing non-contact passage – no access solution is safer and more elegant than mWing.

Barrier technology

Pedestrian passageway with wing gates

Opening and closing speed

High

Security level

Medium to high (depending on the barrier element)

mTripod / mTripod short

The comfortable one: its smooth drive and sensitive impact detection make passage through the mTripod and mTripod short particularly simple and comfortable.

Barrier technology

Turnstile

Opening and closing speed

Medium

Security level

Low

mSwing

The versatile one: you not only design optically appealing entrances with the mSwing swing door, it is also our specialist for wheelchair-friendly access and safe escape routes.

Barrier technology

Swing door

Opening and closing speed

Low

Security level

Low



mTwing

The welcoming solution: Half-height turnstile with transparent barrier and railing elements for an unrestricted view into the building.

Barrier technology

Half-height turnstile

Opening and closing speed

Low

Security level

Low



mPost

The matching one: The mPost control column offers the right design if with mSwing and mTwing an additional access control is required.



mGuide

The final one: If the room is wider than the passageway, the guiding elements from mGuide come into play. They reliably guide visitors to and through the barrier.

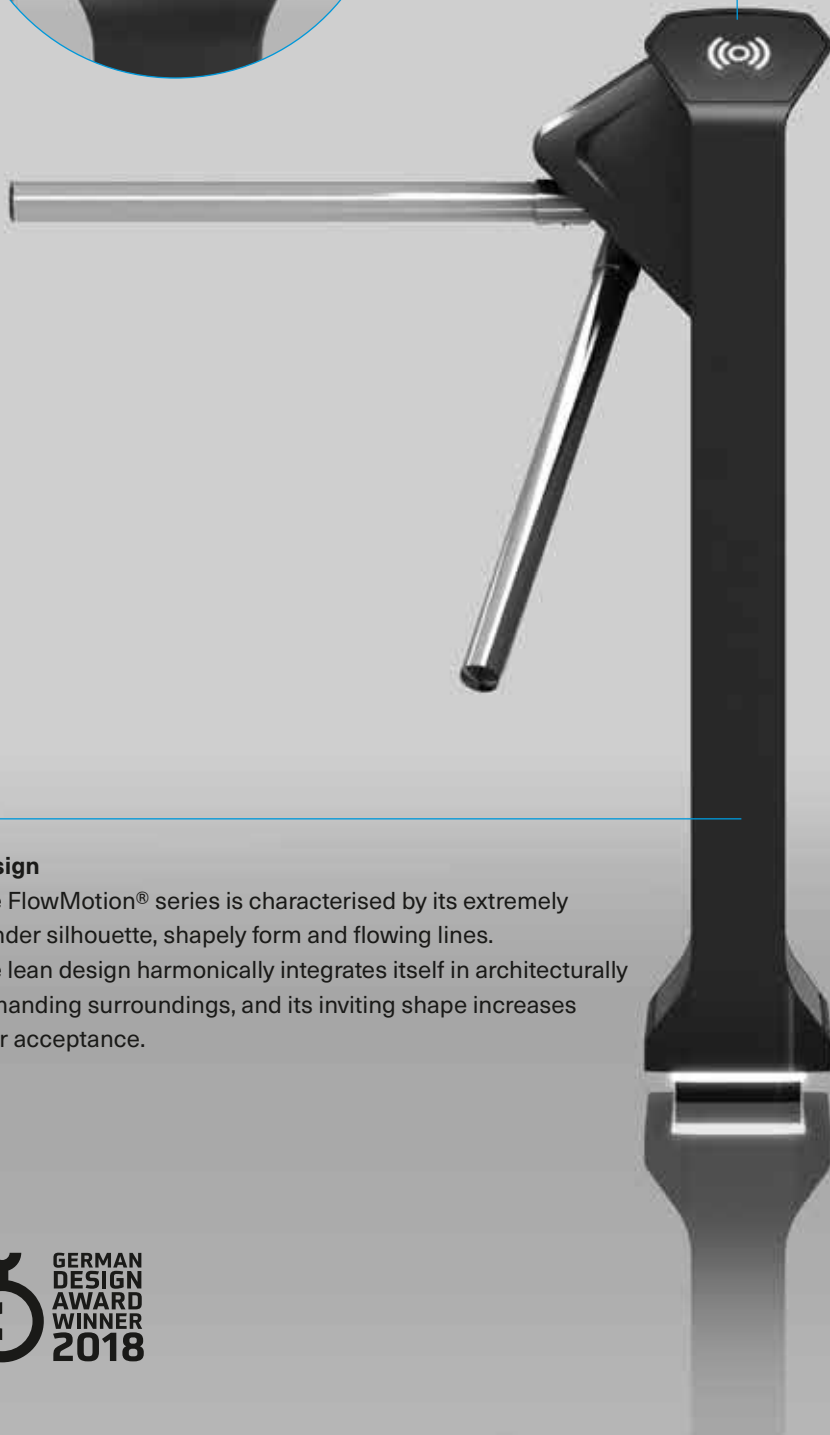
FlowMotion®

Fascinating aesthetics...



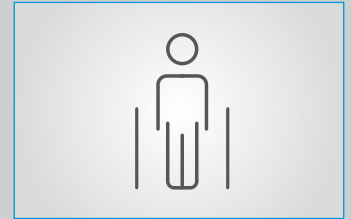
Access control

The pedestrian gates of the FlowMotion® series can be controlled with all common reading devices. The front faces allow installation of numerous card-reading models, ensuring maximum flexibility.



Design

The FlowMotion® series is characterised by its extremely slender silhouette, shapely form and flowing lines. The lean design harmonically integrates itself in architecturally demanding surroundings, and its inviting shape increases user acceptance.



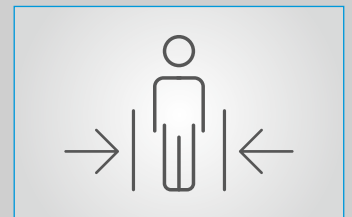
Comfortable passage

The smoothly operating motor drive makes the access process particularly comfortable, and its sensitive impact detection ensures maximum user safety.



Unobstructed escape routes

FlowMotion® gates provide free passage if there is a power outage or alarm signal. They automatically resume operation when the alarm is over or power has been restored.



Secure access control

Light sensors (optional) raise the alarm if someone climbs over or crawls under the pedestrian gates. Interlocking in the closed state (optional) prevents any forced entry.



Comprehensive functions

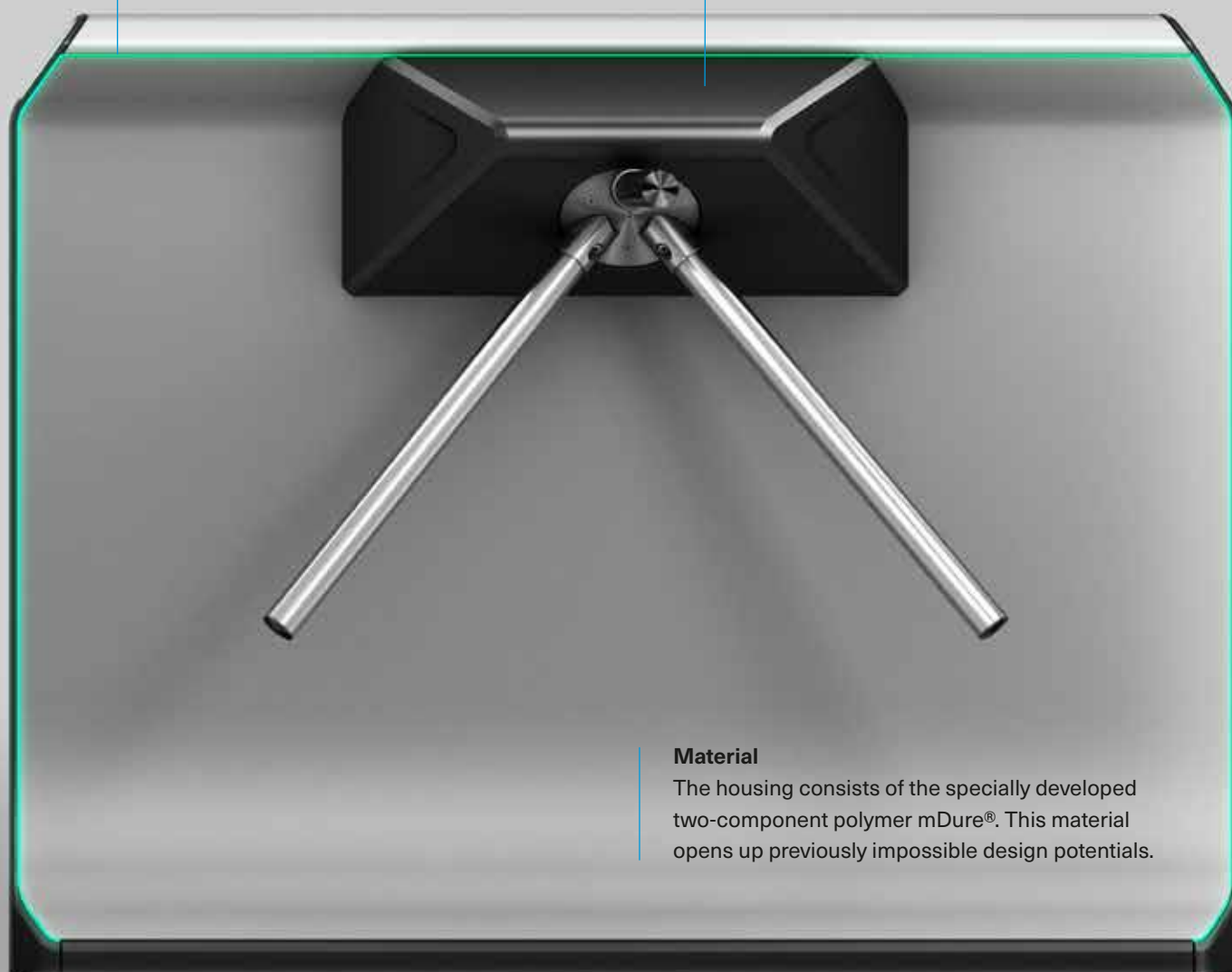
An emergency release routine, pulse counter, and random generator for screening users are standard in the FlowMotion® series, directly integrated in the control system.

Haptics

Unlike stainless steel, mDure is not cold and hard but instead feels comfortably warm and nice to touch. A friendly reception for visitors is thus provided on entering the building.

Illumination

Frame-edge illumination (optional) not only underlines the slender design, but also shows that this system is ready for passage. Floor illumination (optional) further contributes towards reliable user guidance.

**Material**

The housing consists of the specially developed two-component polymer mDure®. This material opens up previously impossible design potentials.

FlowMotion®

...excellent inner values...

Control system

The MGC control system is at the heart of all FlowMotion® gates. It enables direct access to all functions, parameters and information – not even a notebook is required, thanks to the integrated display and control buttons. By the way, the same control system and drive technology are also used in Magnetic's vehicle barriers. This considerably reduces system diversity and training requirements for sales partners, commissioning engineers and plant operators.

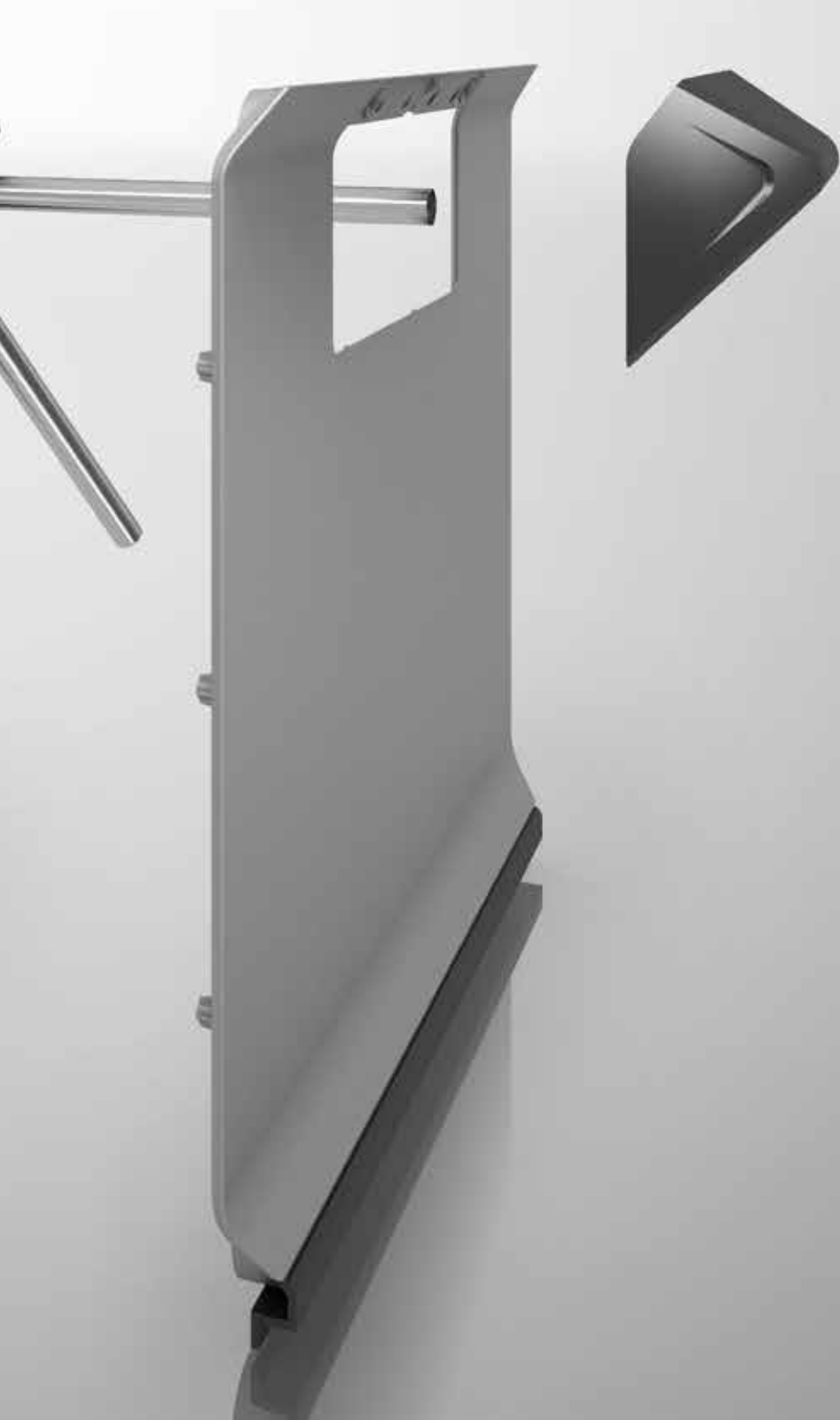


Construction

The systems basically consist of a frame made of mDure in which all components are integrated. The side panels are attached to the frame without any visible connecting elements, and thus create the impression of seamless construction.

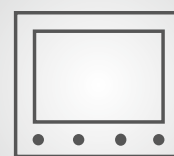
Drive

The thousand-fold proven MHTM™ drive technology ensures particularly comfortable passage. It is maintenance-free, energy-efficient and quiet – and forms the basis for a long service life because it is designed for more than 10,000,000 opening and closing cycles.



Rapid installation

Our pedestrian gates are supplied ready for installation. All the selected options have already been installed, and the corresponding parameters pre-set, before delivery to the point of use. This, and the drilling templates, considerably shorten commissioning times.



Simple parameterisation

All the MGC control system functions and settings can be located and edited very quickly via the display, the four buttons, and the well-thought-out user navigation. No workaround involving a notebook and connection cable is required.



Complete documentation

Construction specifications, floor plans, dimensional drawings and technical data – our customers receive all relevant documentation. They are thus always on the safe side during project planning, commissioning, and certification of conformity.



Comprehensive training

We are training sales partners, commissioning engineers, and service technicians at our Academy. This ensures high installation quality and excellent service.

FlowMotion®

...and unique options.

Sensor control

Sensors in the frame detect users entering the passage area. This increases the speed of passage and prevents unauthorised access attempts.

Floor illumination

The white floor illumination gives the gates the appearance of floating in a cloud of light and simplifies orientation in the entrance area for visitors.

Frame-edge illumination

The elegant integrated light elements offer flexible use to show operational readiness, the direction of passage, or the validity of access authorisation.

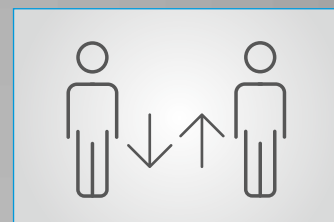
Ethernet interface

Today's connections for the buildings of tomorrow: FlowMotion® gates can be integrated into building control systems via the Ethernet interface.



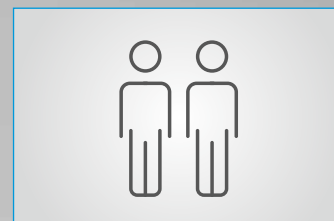
Passage direction indicator

The light elements in the front face show visitors at a glance if passage is open to them and whether they have valid access authorisation.



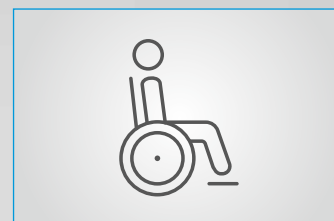
Full flexibility

Visitor flows into the building in the evening, out of the building in the morning, and coming and going between the two – FlowMotion® gates offer flexible use thanks to their bi-directional operation.



Large visitor numbers

It makes sense to use several parallel lines if large numbers of visitor authorisations need confirmation within a very short time. All FlowMotion® pedestrian gates are suitable for the straight-forward setting up of multiple applications thanks to their uniform stylistic language and control technology.



Wheelchair-friendly access

Variants of the FlowMotion® gates are available with large passage widths for wheelchair users, the transport of material, and many other requirements. mSwing swing doors offer another alternative for providing wheelchair-friendly access.



Unobstructed escape routes

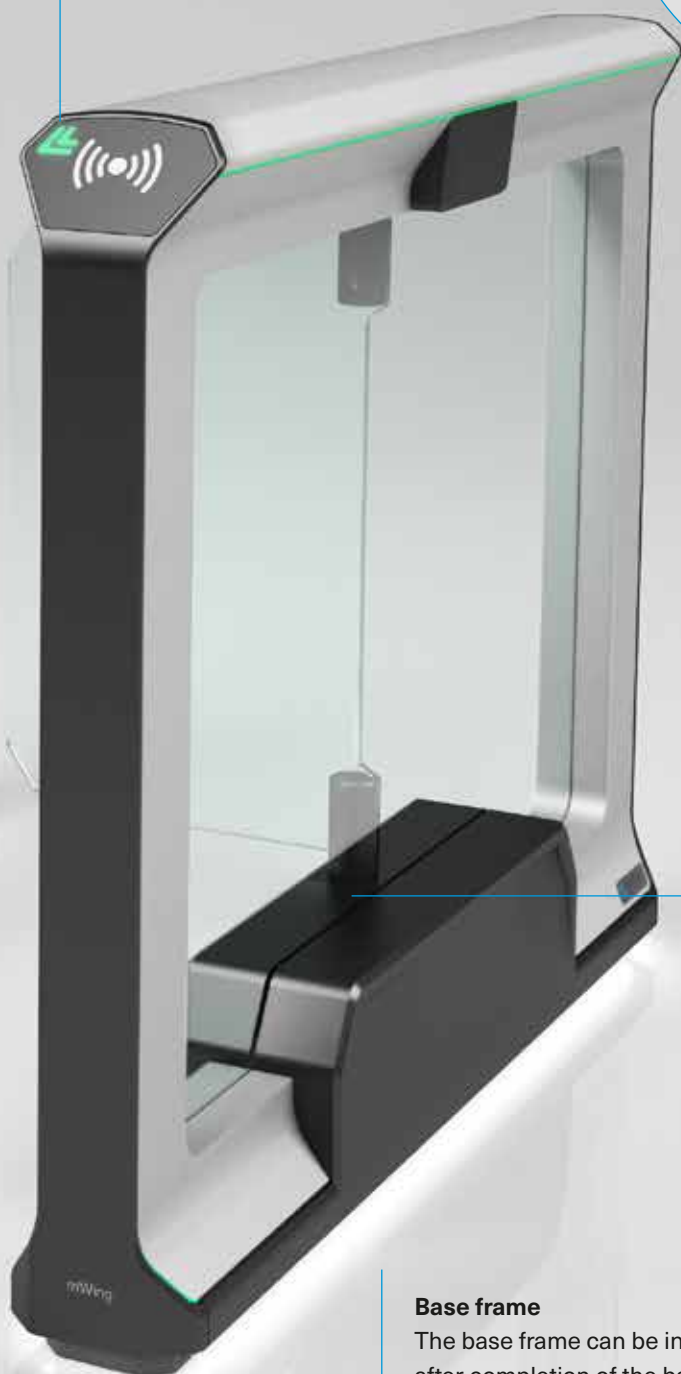
All the gates in the FlowMotion® series automatically allow free passage in the case of a power outage or an alarm signal. mSwing swing doors allow the setting up of particularly wide, officially approved escape routes.

Interlocking

The gate elements can be locked in the closed state. This effectively prevents attempts to wilfully or forcefully gain access.

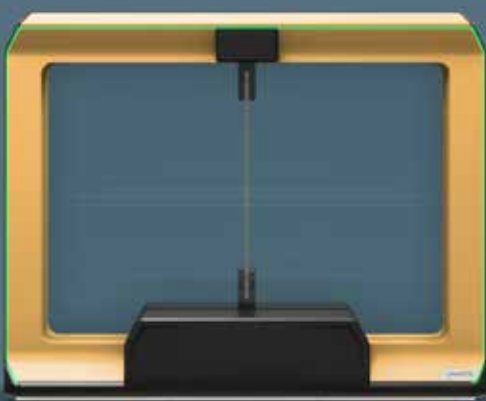
Base frame

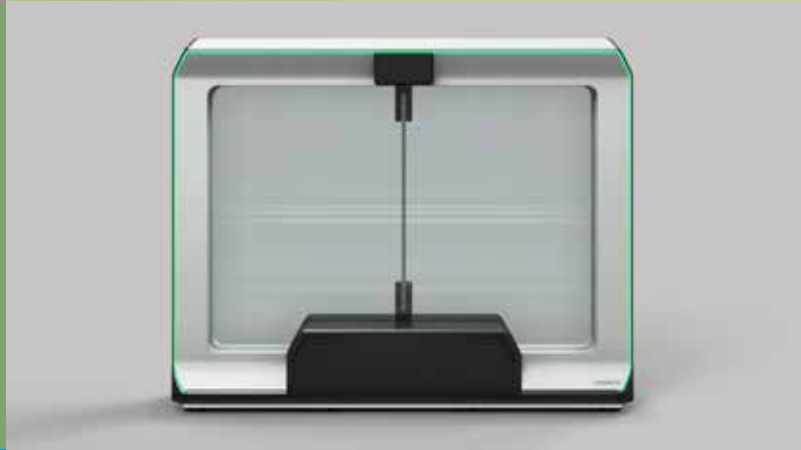
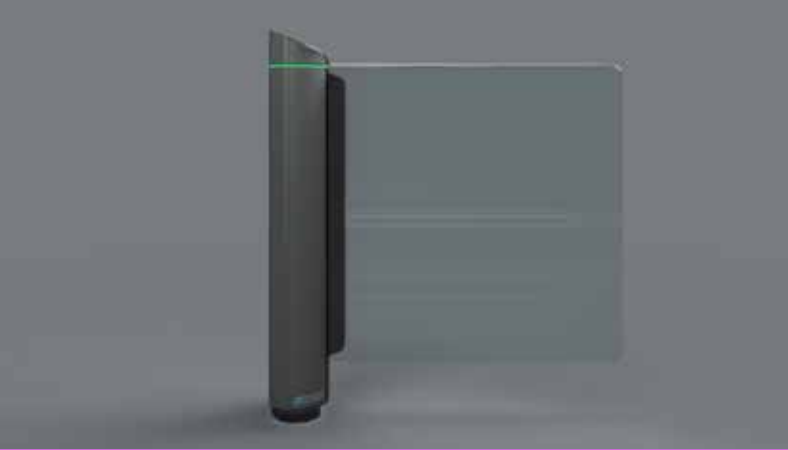
The base frame can be installed straight after completion of the bare floor. It not only reserves the space for subsequent installation of the FlowMotion® pedestrian gate, but also considerably simplifies the laying down of electricity and data cables.





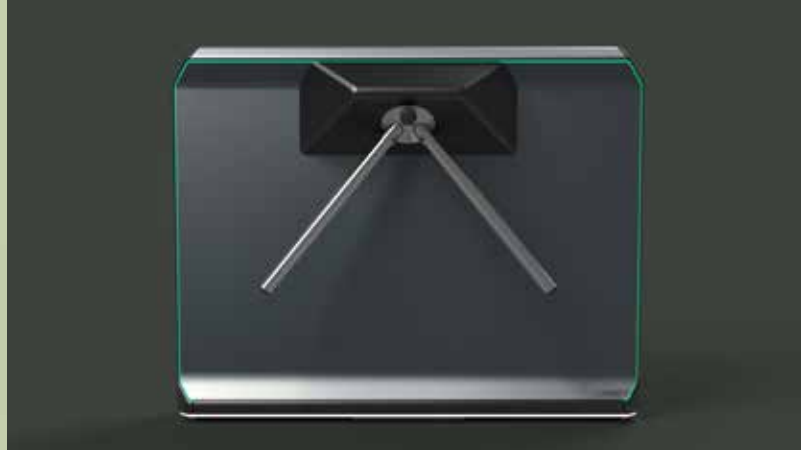
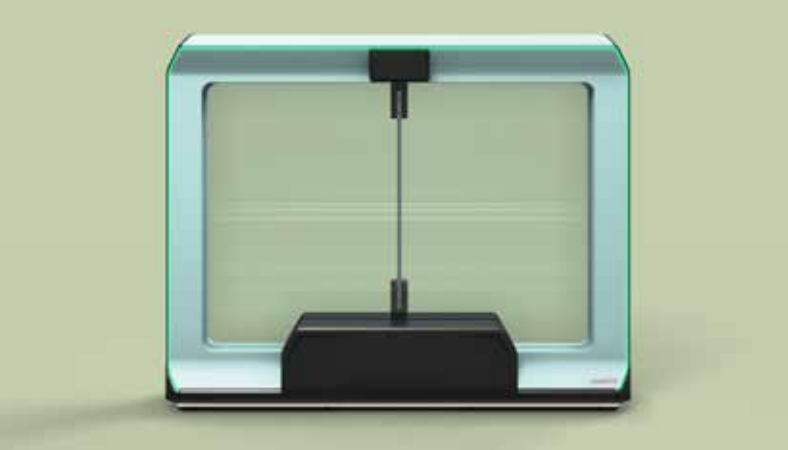
They don't match everything.
Just your precise requirements.





Seamless integration in demanding architectures – we developed the design of FlowMotion® with this goal in mind. This, however, not only includes the housing shape, but also its colour. This is why we offer all the products in our FlowMotion® family with a wide range of colour tones and effect finishes.

WHICH COLOUR IS YOURS?



Security in series

With customised multiple applications



Access solutions that meet your needs

High visitor numbers, wheelchair-friendly access, escape routes during emergencies – a single gate is often insufficient to meet all the requirements. But here, too, the extremely slender design and uniform stylistic language of FlowMotion® gates prove advantageous because they allow the particularly simple implementation of space-saving multiple applications.

Several gates can be arranged in rows to enable the rapid and reliable control of large numbers of visitors. With mWing, mSlide and mFlap we offer left, central and right modules with adapted barrier elements; a housing is available for mTripod without barrier elements for the end of a row.

Wheelchair-enabled access requires a larger passage width so that users, as well as delivery services, have sufficient space for passage. The three pedestrian passageways – mWing, mSlide and mFlap – are available in wider variants, permitting passage widths of up to 960 mm.

Escape routes must comply with special legal and technical requirements. They must be readily identifiable and easy to open. They must also offer a particular passage width depending on the number of persons in the building. The mSwing swing door is our specialist for escape routes: as a single installation it provides a passageway width of 1200 mm, and as much as 2400 mm as a double installation.



AN INNOVATIVE MATERIAL FOR INNOVATIVE PRODUCTS

An extremely slender silhouette, soft flowing lines, and a warm gentle feel – this has all been made possible because we have moved away from the stainless steel panels used up to now and turned to a new material: **mDure**.

mDure is a polyurethane and thus consists of two components. During its production, polyols and isocyanates react to make long-chain molecules that form spatial links with one another. The end-product can be precisely adapted to meet particular

requirements because thousands of combinations of different polyols and isocyanates are possible. In many respects, **mDure** far surpasses the performance of the previous standard material.

By the way: although we are taking new paths we are not experimenting. Comparable high-performance polyurethanes are used for housings in medical and laboratory technology, for vehicle dashboards, and for cladding on high-speed trains. Could **mDure** have better references?

- > **mDure** is created by a chemical reaction that takes place directly in the forming tool. This provides extraordinary design freedom.
- > **mDure** is highly resistant to impacts, scratches and abrasion. It can cushion mechanical effects without suffering any lasting deformation.
- > **mDure** is a thermal and electrical insulator. This simplifies electrical installation, as well as operation under difficult climatic conditions.
- > **mDure** is extremely durable and chemically resistant – against disinfectants and detergents, as well as against aggressive chemicals, UV radiation and corrosion.
- > **mDure** contains no solvents or softening agents so it does not give off any harmful emissions to its surroundings. It also offers low flammability, and is therefore ideal for indoor use.
- > **mDure** is free of pollutants and can be recycled, disposed of as household waste, or burnt without polluting the environment.



mWing

Pedestrian passageway with wing gates



- > High visitor throughput thanks to rapid opening times and preset travel function
- > Open-gate mode for extra throughput acceleration
- > For maximum security requirements in monitored and unmonitored areas
- > Low impact forces for maximum personal safety
- > Freely turning on power outages
- > Designed for 10 million opening and closing cycles








| Technical data | mWing |
|---|--|
| Application | Indoor and outdoor |
| Passage width | Standard: 600 mm Wide Lane: 900 mm (more on request) |
| Height of barrier elements | Standard: 888 mm High: 1800 mm (more on request) |
| Opening/closing time | 0.6 – 1 s, depending on barrier element dimensions |
| Flow rating (number of persons per min.) ¹ | approx. 40 |
| Drive technology | MHTM™ |
| Control system | MGC |
| Voltage | 100–240 V AC, 50/60 Hz |
| Power consumption | Maximum 45 W |
| Duty cycle | 100% |
| Housing material | mDure |
| Housing dimensions (L x W x B) | 1300 x 1050 x 180 mm |
| Enclosure rating | IP 54 |
| Weight | About 120 kg per module |
| Temperature range | –30 to +55 °C |

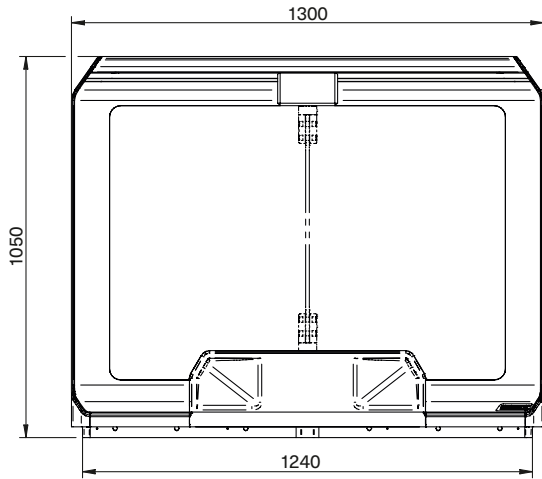
¹ Depending on reader, lock setting, person behaviour

| Features | |
|---|--|
| Direction of passage | Uni- or bi-directional |
| Emergency release | On power outage or closing of alarm contacts |
| Random generator | Integrated in control system |
| Throughput data acquisition and event log | Integrated in control system |
| Control system inputs and outputs | 8 digital inputs, 4 digital outputs, and 6 relay outputs |

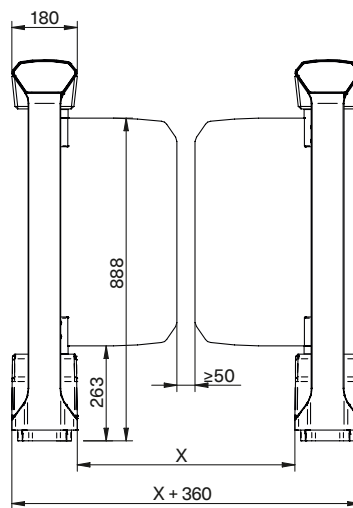
| Standard colours | |
|--|---|
|  |  |
| Basalt (similar to RAL 9006) | Anthracite (similar to RAL 9005) |

| Potential applications | | | | |
|---|--|---|---|---|
|  |  |  |  |  |

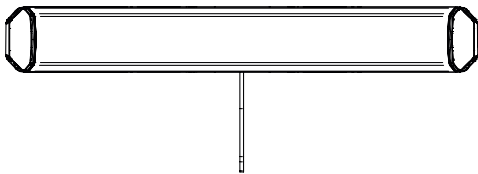
mWing – side view



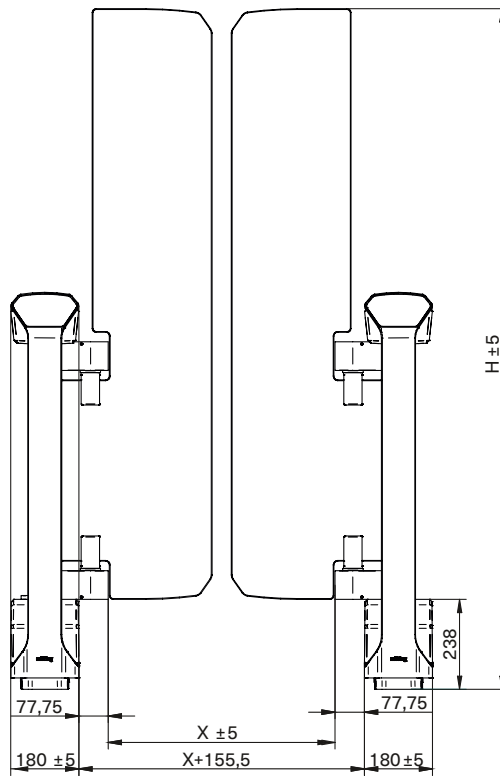
mWing – front view



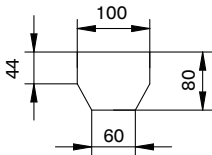
mWing – top view (1 module)



mWing – front view with high glass panel



Mounting space for reader devices
(without optional passage indicator, mounting depth 40 mm)



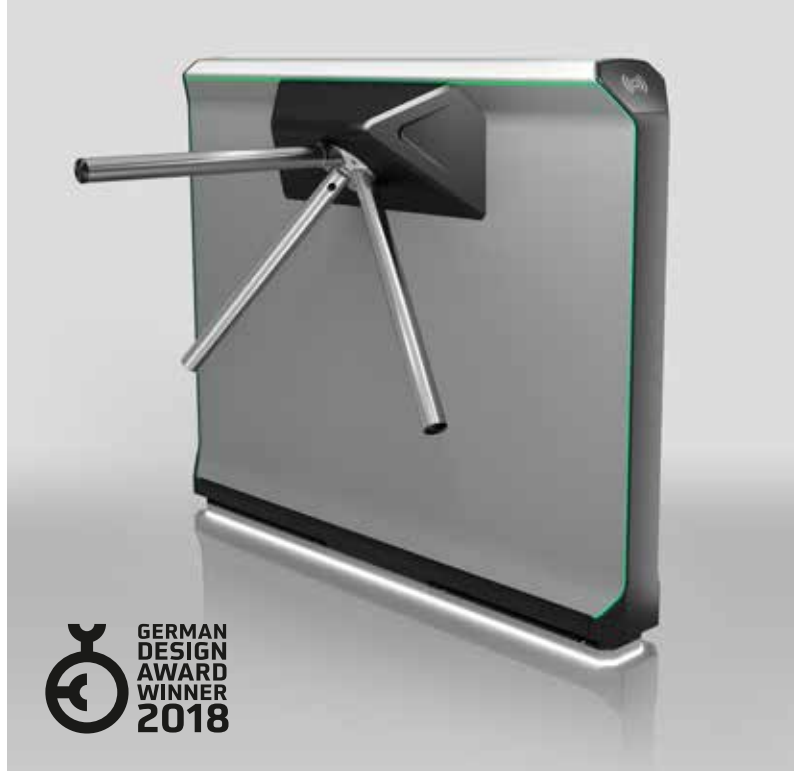
| Name | Passage width | | | |
|------------|---------------|---------|---------|---------|
| | X [mm] | H1 [mm] | H2 [mm] | H3 [mm] |
| Narrow | 520 | 1200 | 1500 | 1800 |
| Standard | 600 | 1200 | 1500 | 1800 |
| Wide | 900 | 1200 | 1500 | 1800 |
| Extra wide | 960 | 1200 | 1500 | 1800 |

Dimension X applies to normal and high doors, H1 to H3 only apply to high doors.

mTripod

Three-arm turnstile

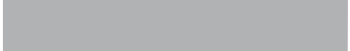

- > Revolutionary design, won German Design Award 2018
- > Extensive functions and intuitive operation
- > Drop-arm mechanism (optional) permits passage during power outages or alarms
- > Ethernet plug-in module for IP connection (optional)
- > Designed for more than 10 million opening and closing cycles



| Technical data | mTripod | mTripod short |
|---|------------------------|------------------------|
| Housing variants | Long | Short |
| Application | Indoor and outdoor | Indoor and outdoor |
| Passage width | 515 mm | 515 mm |
| Flow rating (number of persons per min.) ¹ | approx. 20 | approx. 20 |
| Drive technology | MHTM™ | MHTM™ |
| Control system | MGC | MGC |
| Voltage | 100–240 V AC, 50/60 Hz | 100–240 V AC, 50/60 Hz |
| Power consumption | Typical 30 W | Typical 30 W |
| Duty cycle | 100% | 100% |
| Housing material | mDure | mDure |
| Housing dimensions (L x W x H) | 1300 x 290 x 1050 mm | 730 x 290 x 1050 mm |
| Enclosure rating | IP 54 | IP 54 |
| Weight | About 70 kg | About 57 kg |
| Temperature range | –30 to +55 °C | –30 to +55 °C |

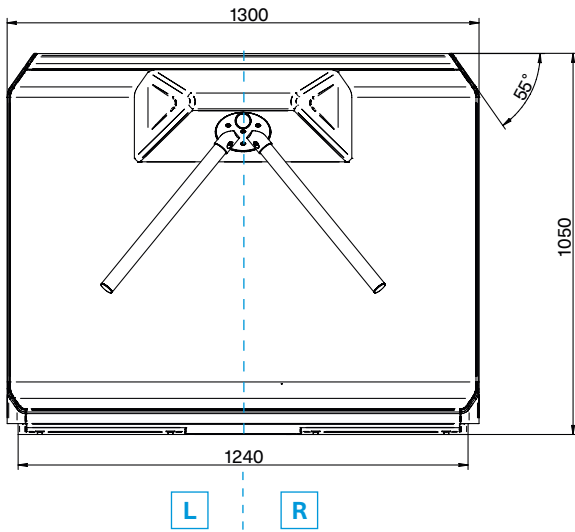
¹ Depending on reader, lock setting, person behaviour

| Features | |
|---|--|
| Direction of passage | Uni- or bi-directional |
| Emergency release | On power outage or closing of alarm contacts |
| Random generator | Integrated in control system |
| Throughput data acquisition and event log | Integrated in control system |
| Control system inputs and outputs | 8 digital inputs, 4 digital outputs, and 6 relay outputs |

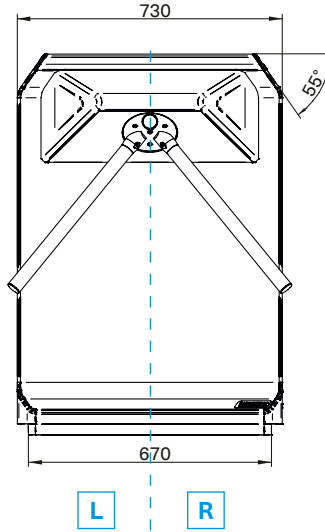
| Standard colours | |
|--|---|
|  |  |
| Basalt (similar to RAL 9006) | Anthracite (similar to RAL 9005) |

| Potential applications | |
|--|---|
|  |  |

mTripod – side view

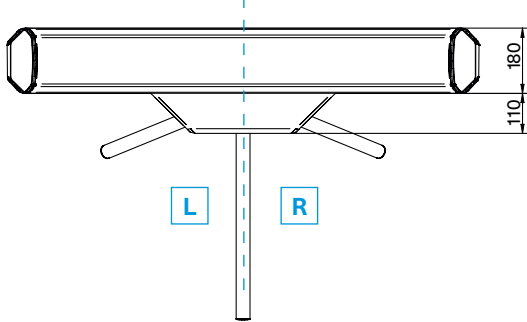


mTripod short – side view

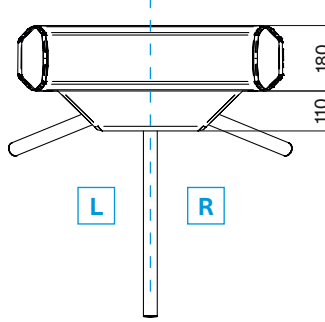


You can obtain options as left **L** or right **R** versions. If you look at the mTripod from the tip of the turnstile bar the option is on the left with the left version and on the right with the right version.

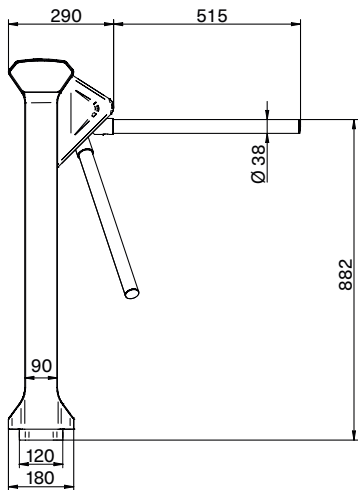
mTripod – top view



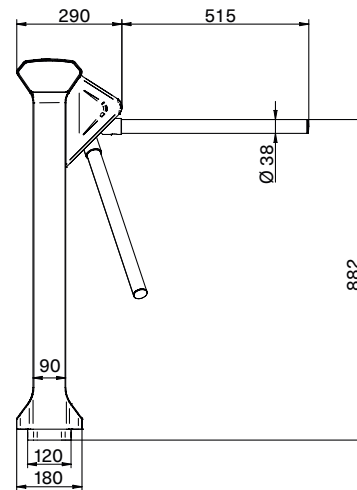
mTripod short – top view



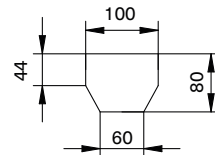
mTripod – front view



mTripod short – front view



Mounting space for reading devices for mTripod and mTripod short (without passage indicator, mounting depth 40 mm)



mSwing



Swing doors






- > As single or double doors for visitor entrances, passage with baggage, transport routes and wheelchair-friendly access
- > For unobstructed escape routes in emergencies
- > Ideally complements the mTripod access control system
- > Compact accommodation of drive and control systems in the centre column
- > Low impact forces for maximum personal safety
- > Freely turning on power outages
- > Designed for 10 million opening and closing cycles



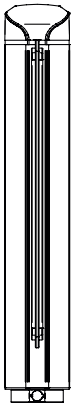
| Technical data | mSwing |
|------------------------|--|
| Application | Indoor and outdoor |
| Passage width | Standard: 1000 mm Wide Lane: 1200 mm (more on request) |
| Barrier element height | Standard: 994 mm (more on request) |
| Opening/closing time | 2,0–5,5 s, depending on barrier element dimensions |
| Opening angle | Adjustable from 0 – +/-105° |
| Drive technology | MHTM™ |
| Control system | MGC |
| Voltage | 100–240 V AC, 50/60 Hz |
| Power consumption | Maximum 45 W |
| Duty cycle | 100% |
| Housing material | Aluminium |
| Housing height | 1092 mm |
| Housing diameter | Maximum 183 mm |
| Enclosure rating | IP 54 |
| Weight | About 40 kg (without blocking element) |
| Temperature range | -30 to +55 °C |

| Features | |
|-----------------------------------|--|
| Direction of passage | Uni- or bi-directional |
| Emergency release | Can be parameterised: fixed position or freely turning |
| Control system inputs and outputs | 8 digital inputs, 4 digital outputs, and 6 relay outputs |
| Configuration | Via USB interface from external |

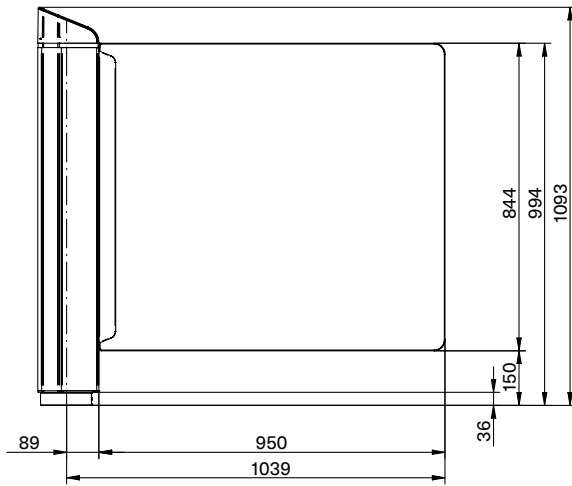
| Standard colours | |
|--|---|
|  |  |
| Basalt (similar to RAL 9006) | Anthracite (similar to RAL 9005) |

| Potential applications | | | | |
|---|--|---|---|---|
|  |  |  |  |  |

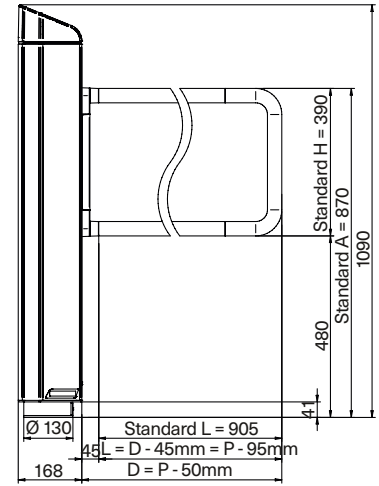
mSwing – side view



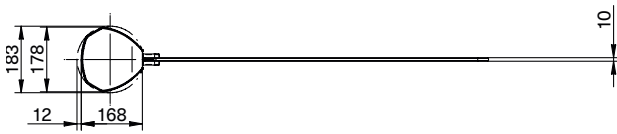
mSwing – front view



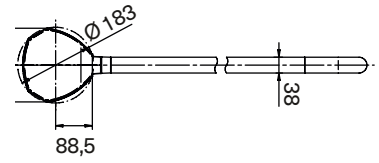
mSwing with U bar – front view



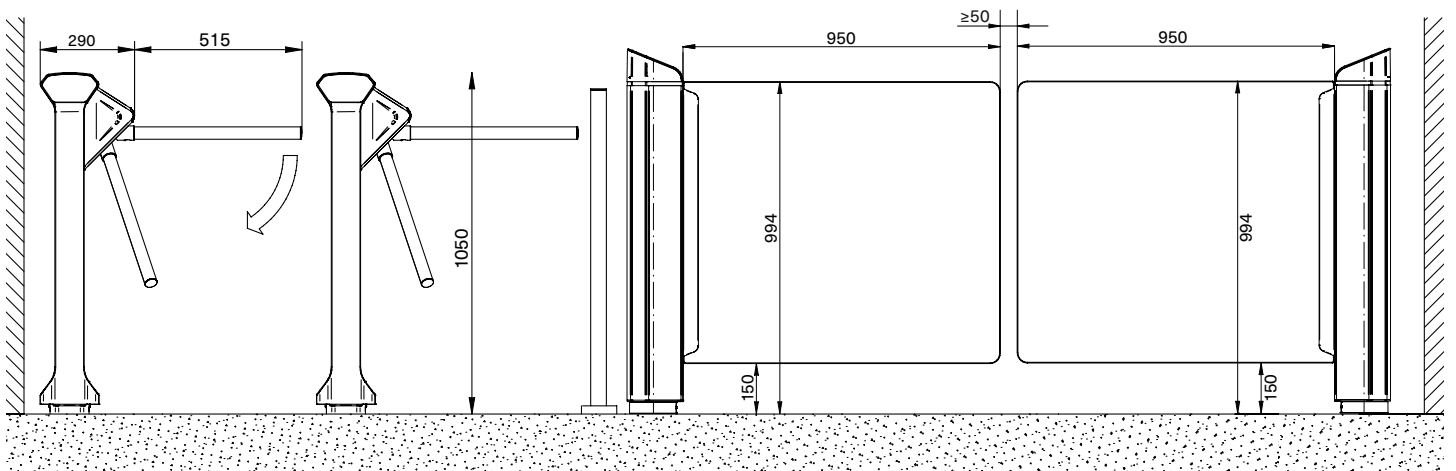
mSwing – top view



mSwing mit Flügel von oben



Line configuration with mTripod and mSwing as double swing gate



mTwing

Half height turnstile

- > Ideally complements the product range of FlowMotion®
- > With barrier and railing elements for an unrestricted view into the building
- > Compact accommodation of drive and control systems in the centre column
- > Low impact forces for maximum personal safety
- > Freely turning on power outages
- > Designed for 10,000,000 opening and closing cycles



| Technical data | mTwing |
|------------------------|--|
| Application | Indoor and outdoor |
| Passage width | Standard: 635 mm |
| Barrier element height | Standard: glass 664 mm, U-bar 390 mm |
| Opening/closing time | Glass: 3,2 s, U-bar: 2,1s, depending on barrier element dimensions |
| Wing configuration | 3 x 120° |
| Drive technology | MHTM™ |
| Control system | MGC |
| Voltage | 100–240 V AC, 50/60 Hz |
| Power consumption | Maximum 80 W |

| Technical data | mTwing |
|---|----------------------------------|
| Duty cycle | 100 % |
| Housing material | Aluminium |
| Housing height | 1034 mm |
| Housing diameter | Maximum 186 mm |
| Enclosure rating | IP 54 |
| Weight | approx. glass 69 kg, U-bar 43 kg |
| Temperature range | –30 to +55 °C |
| Flow rating (number of persons per min.)* | approx. 15 |

* Depending on reader, lock setting, person behaviour

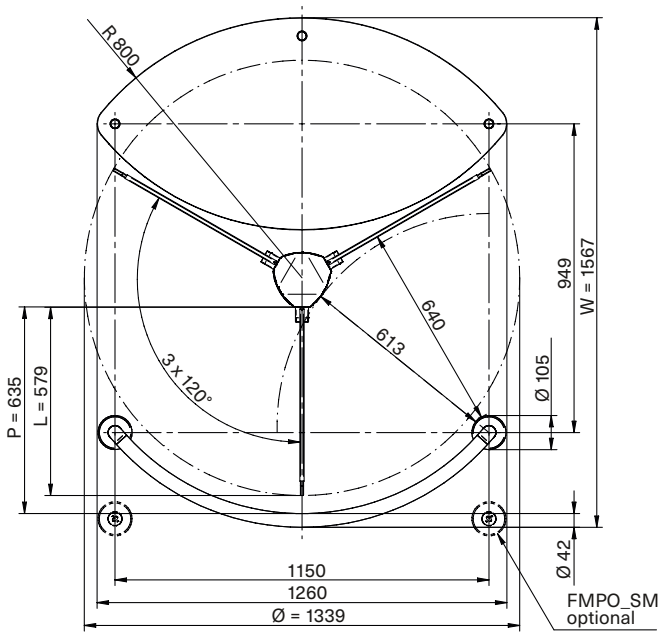
Standardfarben

| | |
|--|---|
|  |  |
| Basalt (ähnlich RAL 9006) | Anthrazit (ähnlich RAL 9005) |

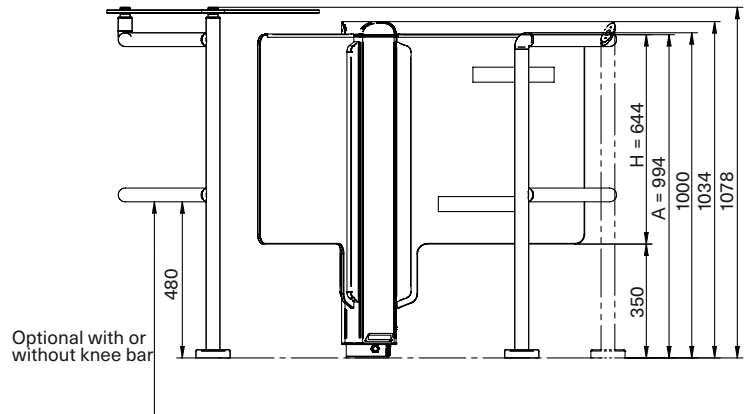
Einsatzmöglichkeiten



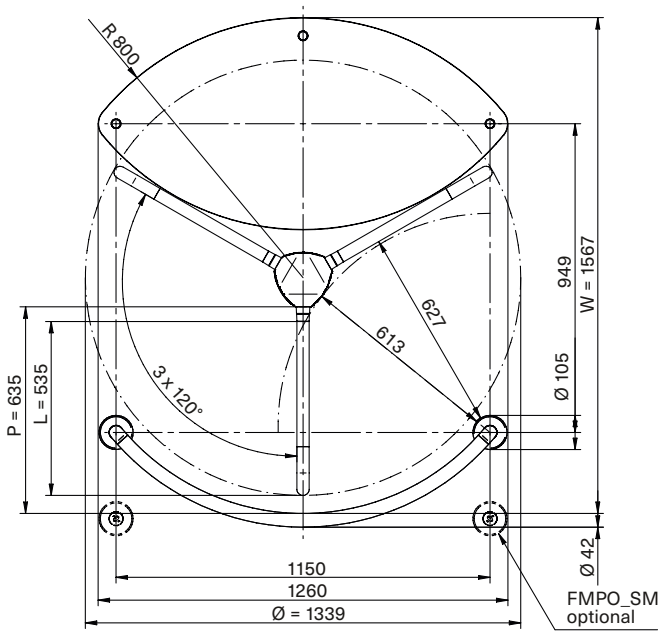
mTwing with glass panels top view



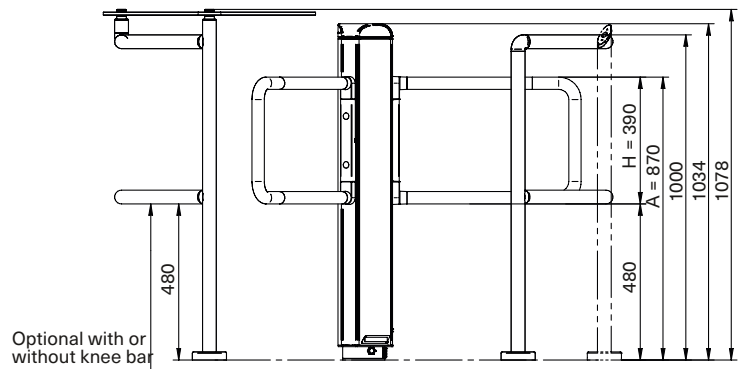
mTwing with glass panels – side view



mTwing with U-bars – top view



mTwing with U-bars – side view



mPost

Card reader column

- > Ideally complements the product range of FlowMotion®
- > Compact accommodation of reader devices possible



| Technical data | mPost (mSwing/mTwing type) | mPost (mGuide type) |
|--------------------------------|--|--|
| Application | indoor outdoor (depending on installed devices) | indoor outdoor (depending on installed devices) |
| Housing Colours (standard) | Basalt + Anthracite | brushed surface |
| Housing material | aluminium tube, mDure cover | stainless steel |
| Housing dimensions (L x W x B) | 178 x 168 x 1090 mm | Ø 42,4/105 x 1030 mm |
| Enclosure rating (IP) | IP 54 | IP 54 |
| Weight approx. [kg] | 16 kg | 2,6 kg |

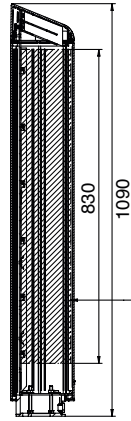
Standard colours

| | |
|--|---|
|  |  |
| Basalt (similar to RAL 9006) | Anthracite (similar to RAL 9005) |

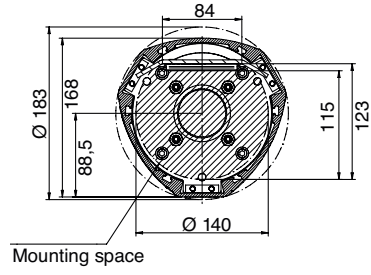
mPost – front view



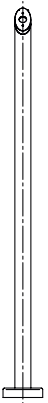
mPost – side view



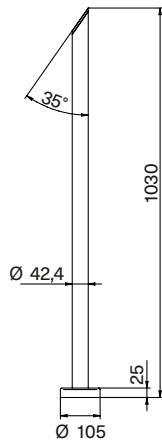
mPost – view from below



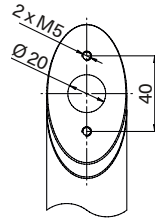
mPost small – front view



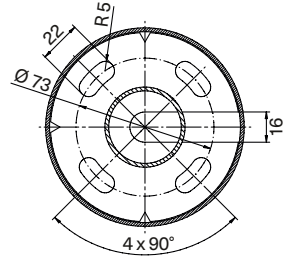
mPost small – side view



mPost small – top view



mPost mGuide type – view from below



mGuide

Railing system

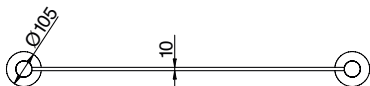
- > Separation of areas for controlled and freely accessible zones
- > Ideal supplement as user guidance system for the FlowMotion® pedestrian gates
- > Clear transparent design seamlessly integrates into demanding architectures
- > Individually adaptable to point of use thanks to flexible width
- > Safety glass provides maximum user safety



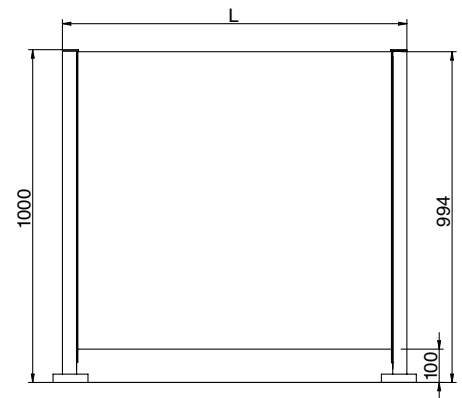
| Technical data | mGuide |
|---------------------------|----------------------------------|
| Barrier width | Up to 1300 mm |
| Barrier element thickness | 10 mm |
| Housing material | Stainless steel V2A |
| Housing height | 1000 mm |
| Housing diameter | 105 mm at base, 42 mm on columns |

| Options | |
|------------------|---|
| Barrier elements | Glass panels made of single-layer safety glass (ESG) or acrylic glass, customer-specific barrier elements |

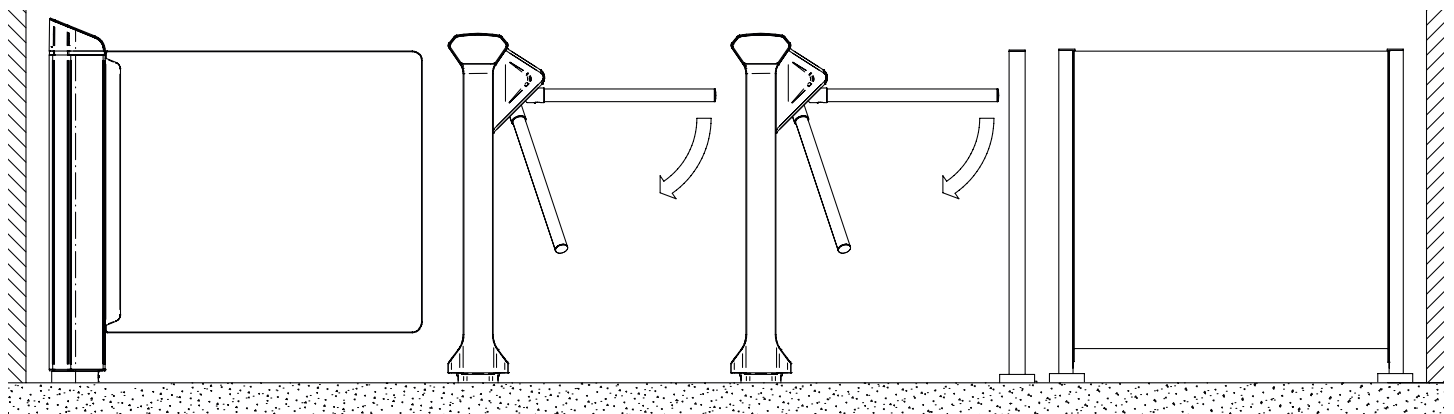
mGuide view from above



mGuide view from front



Line configuration with mSwing, mTripod and mGuide as user guidance and barrier element

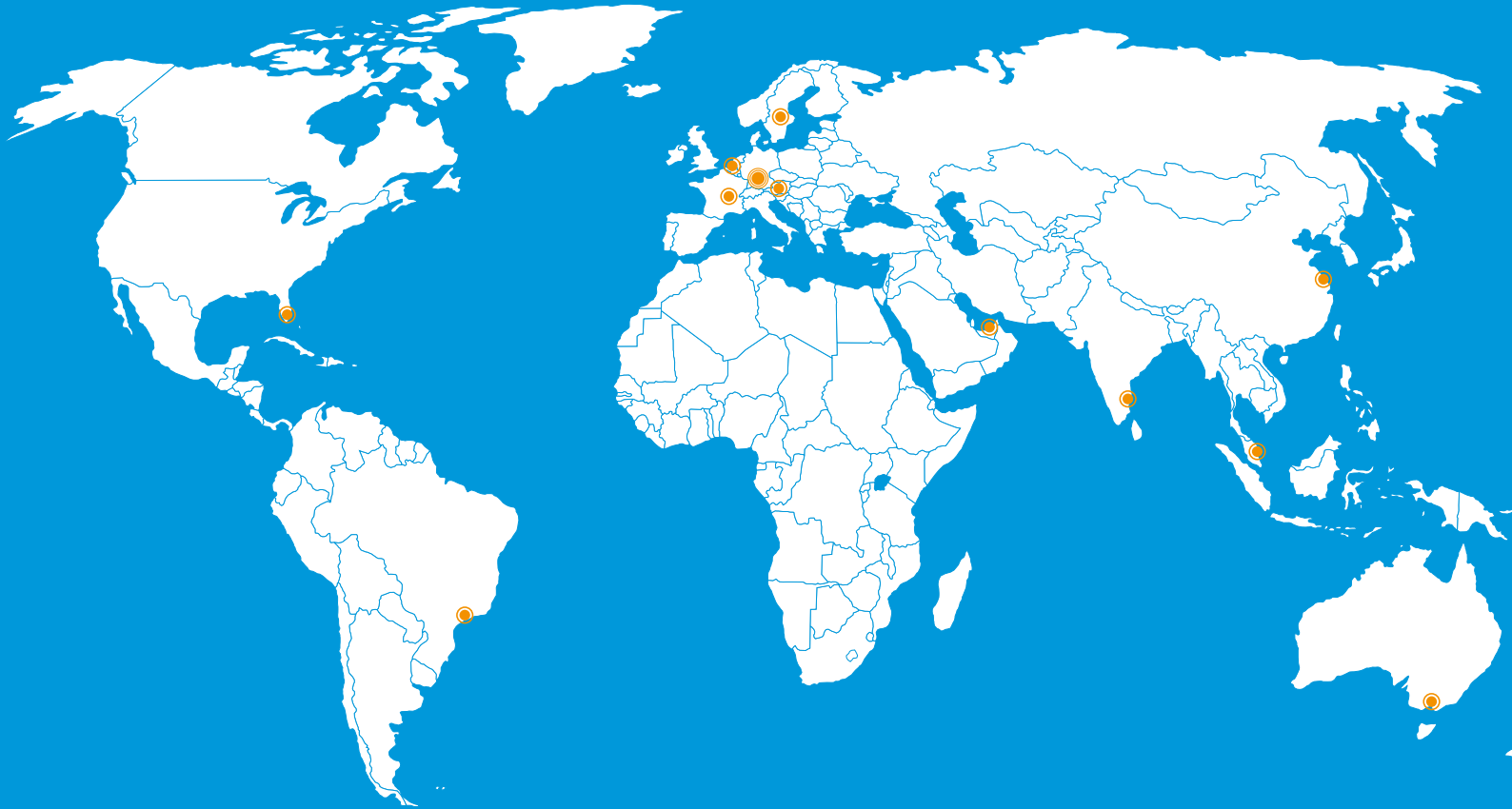


MAGNETIC – YOUR ACCESS TO PROGRESS

Magnetic Autocontrol stands for pioneering products and solutions – in every way. Our pedestrian gates and vehicle barriers open the path for thousands of people every day – in buildings, stations and airports, just as in car parks and at toll stations. Our technology is also pioneering: excellent

functionality and user-friendliness, extraordinarily long service lives, and a high level of safety take our customers that extra step further. That is why our motto is “Access to Progress”.

Try us out! We are available for you worldwide.



Headquarters

Schopfheim, Germany
www.magnetic-access.com

Subsidiaries

Australia
 Benelux countries
 Brazil
 China
 France
 India
 Middle East
 North and South America (excl. Brazil)
 Austria
 Scandinavia
 Southeast Asia

Competence in access control

Revolutions question existing systems; but revolutions are also always built upon their predecessors. This also applies for FlowMotion®. Our new generation of pedestrian gates is very different from our earlier products – but our decades of experience in the development of drive and control systems still remain at the heart of every FlowMotion® gate. This not only ensures comfortable passage, maximum personal safety and particularly low operating costs, but is also responsible for the unique robustness and long service lives for which the Magnetic brand has stood for decades.

Find out more about FlowMotion® at
www.flowmotion-access.com

